



DARITECH^{INC}

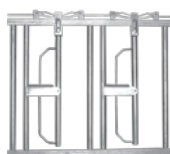
A guide for your Dairy and Livestock Handling Equipment needs.



Tip Tanks



Stanchions



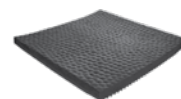
Loop Stalls

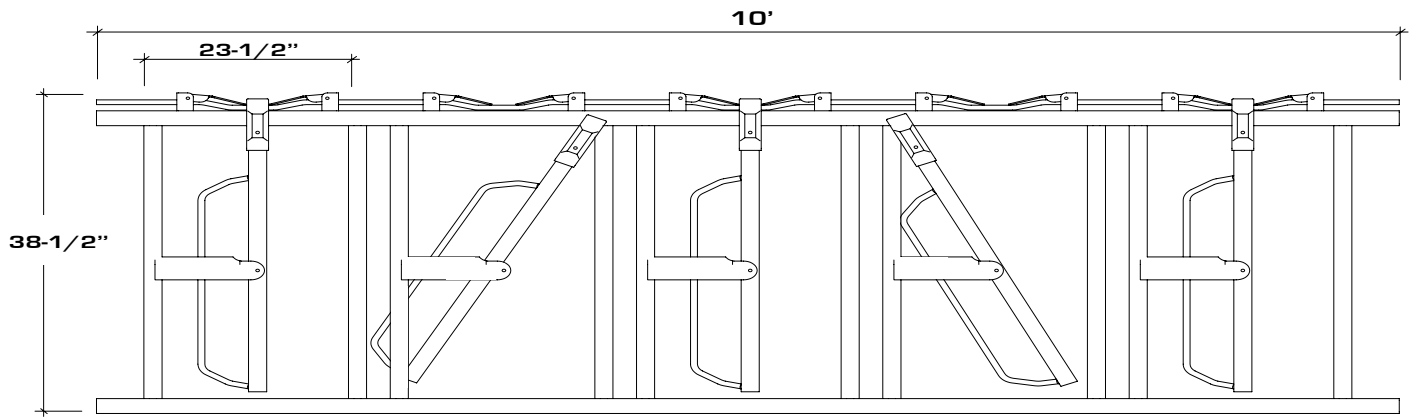


Fans

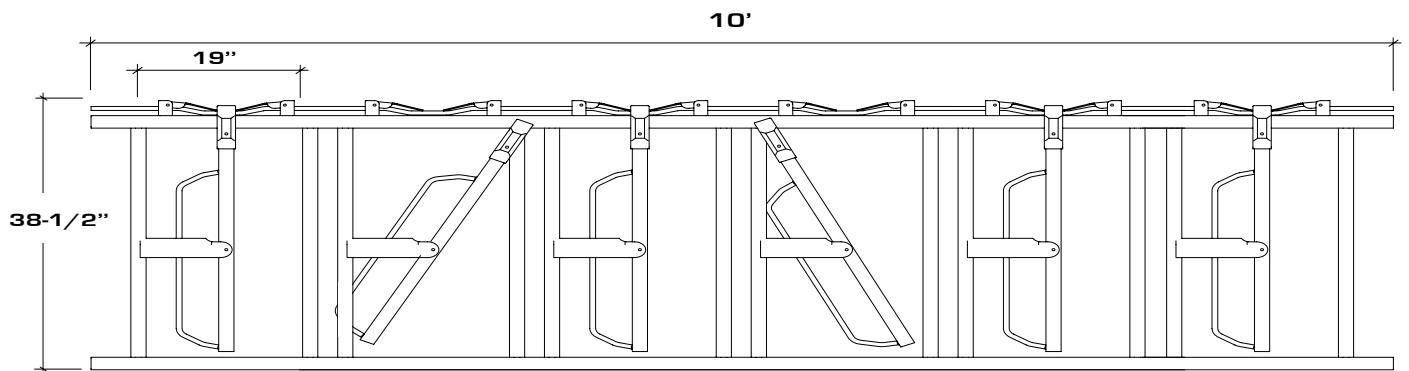


Comfort Matting

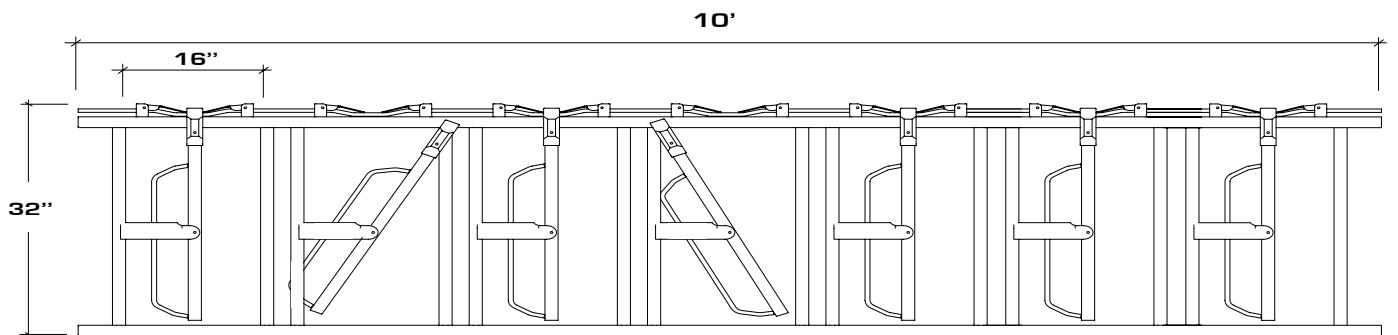




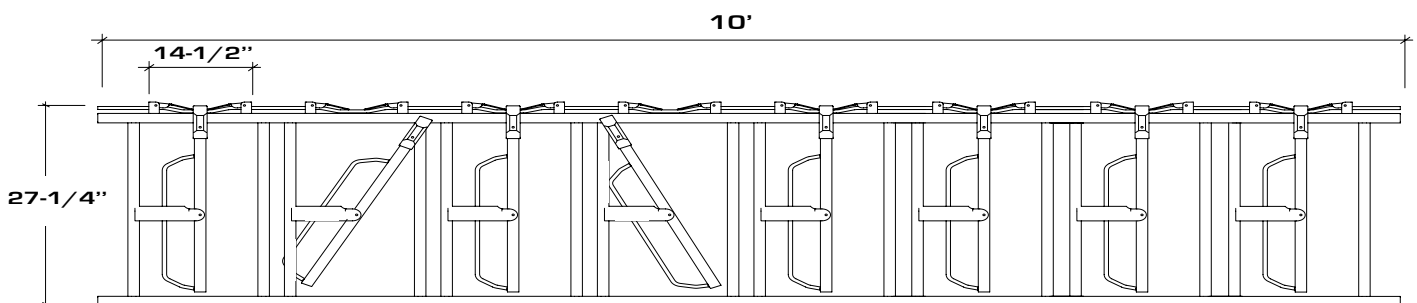
Five spaces per 10' - Cow spacing 23-1/2", Height 38-1/2"
Mature Cow



Six spaces per 10' - Cow spacing 19", Height 38-1/2"
12-18 months, 600-900 lbs.



Seven spaces per 10' - Cow spacing 16", Height 32"
5-12 months, 300-600 lbs.



Eight spaces per 10' - Cow spacing 14-1/2", Height 27-1/4"
0-5 months, birth-300 lbs.



FEATURES:

- Fast and easy to install
- Heavy duty hot dipped galvanized
- Cow friendly for safety and comfort
- Versatile use and space efficient
- Strong galvanized construction
- Quiet operation
- Wide 17" head opening
- Automatic down-cow release



With DariTech's Stanchions you get a quality built lock-up at a competitive price.

- Constructed in 2" square tubing on the top and bottom rails to eliminate the need for center supports and create a sturdier feel than the standard round tubing does.
- Welded in black steel and hot dipped galvanized afterwards to prevent rusting that would normally occur at the welds.



DariTech's free stall systems are designed around cow comfort, reducing maintenance and cow injury.



Adaptable to new and existing barns in outside row and head to head rows.



- Minimizes interference in the lunge space.



- Flexible joint in concrete to eliminate breakage at concrete line.

- Bolt together feature to reduce rusting and weld fatigue.





When it's a fact that milk production is made up of 90% water, why wouldn't you want the best water for your cow. A happy cow is a producing cow. With the DariTech Tip Tank your cows not only get fresh water, but you get the simplicity of cleaning and no worries.

FEATURES:

- 12 gauge stainless steel
- Secured on both ends for extra strength
- Rounded corners to protect livestock from sharp edges
- Available in 4' through 12' lengths
- Self-locking handle



High Flow Valves



Stainless Steel Tub, for easy cleaning, makes this tip tank a benefit for every dairy.

Heavy duty hot dipped galvanized legs make for a long lifetime, and less long term costs due to excellent durability.

Mega-flow float for fast filling and easy shut off, also available with anti-freeze adapter kits.

Equipped with UHMW bearings, this makes for smooth tipping.

**Custom designs available as well!



Ship Direct



Nylon Bushings



DariTech's fans provide the air velocity and volume needed to maintain production throughout the extreme heats of summer.

This results in lower stress levels, helping to maintain normal feed intake, eliminating drop in "hot weather" milk flow. Call DariTech about a fan designed to be energy efficient while providing maximum air flow.



Features:

- High efficiency motors
- Top quality heavy gauge galvanized panels
- High strength galvanized tubular struts provide superior strength and rigidity



DariTech's Comfort Matting is soft, durable and easy to install. There's no better way to ensure a sure footing.

It's been shown that when given a choice, cows prefer to stand on rubber rather than concrete.

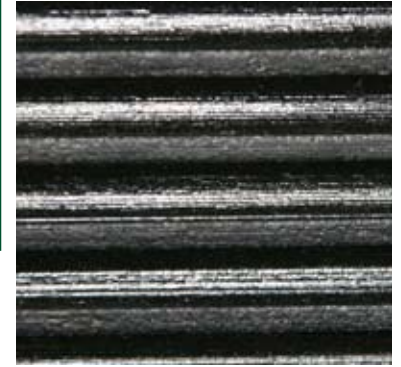
DariTech's Comfort Matting simulates the softness of grass - relaxing hooves and legs, and helping your cows feel natural and at ease.

The surface has a hammer-tone texture, assuring a non-slip and non-absorbent walking and waiting space. The bottom is grooved, providing extra give and making cleanup quick and easy.

Walk, wait, eat, drink - repeat. Cows today have a rigorous routine. Help take the pressure off with DariTech's Comfort Matting.



Above: Hammer toned surface is non-absorbent, bacteria resistant, and ensures a sure footing.



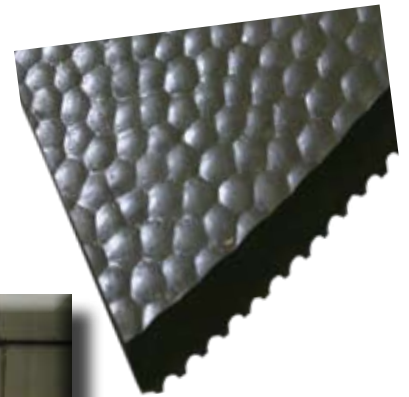
Above: Grooved underside makes cleaning a breeze.

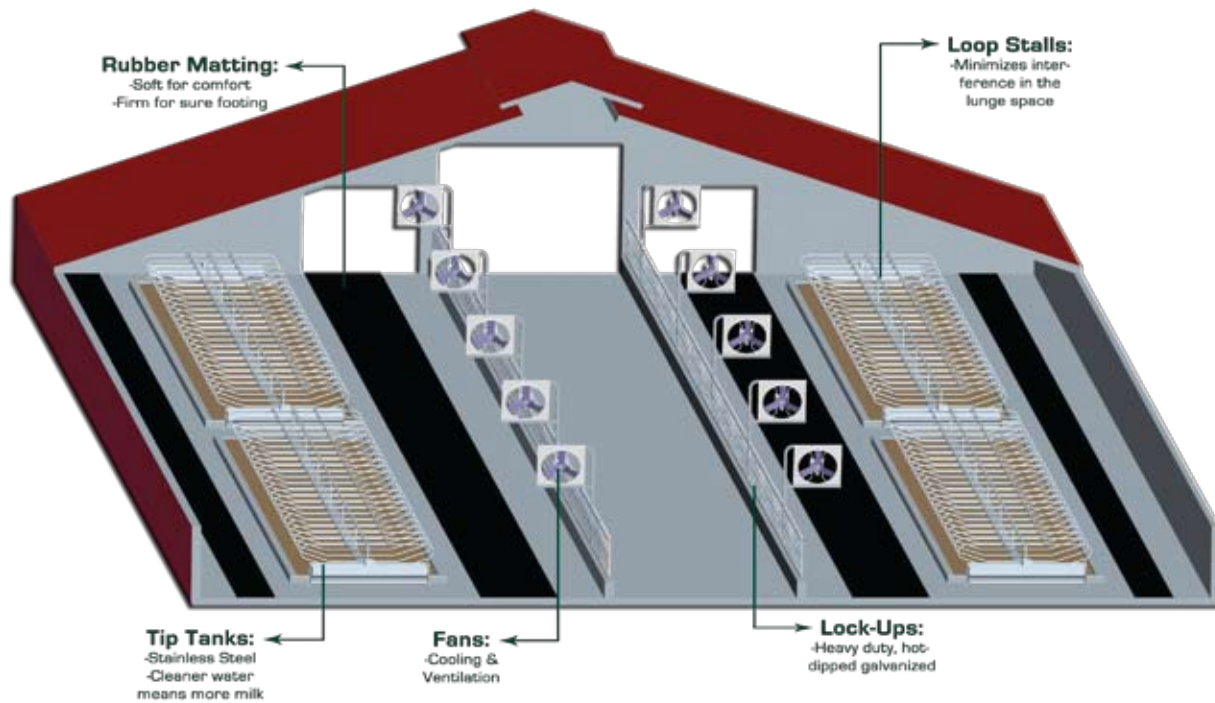
Features:

- Lengths up to 150' without a seam
- Standard widths 4', 5' or 6'
- Custom widths available
- Non-Absorbent
- Mesh scrim standard on all orders
- Designed specifically for dairy applications
- Bacteria resistant
- Easy installation and maintenance
- Insulation barrier between cow and cold floor
- Reduce vet bills
- UV inhibitor to protect from sun exposure
- SOFT for comfort and FIRM for sure footing
- Grooved back for draining
- Reduces cow stress
- Improves heat detection



Below: Matting 5/8" thick with mesh reinforcement





We're a full-service dairy company and we're here to cover your needs. Above our foundation of dedicated servicemen, is our roof of cutting edge technology. We provide the newest technology at the most affordable price. We're always looking for ways to make dairying more economical and efficient. As members of the Northwest Dairy community, we're dedicated to succeeding and growing with you. We believe that success is a process with no finish line, and that we're in this journey together.



DariTech, Inc.
8540 Benson Road
Lynden, WA 98264

www.daritech.com