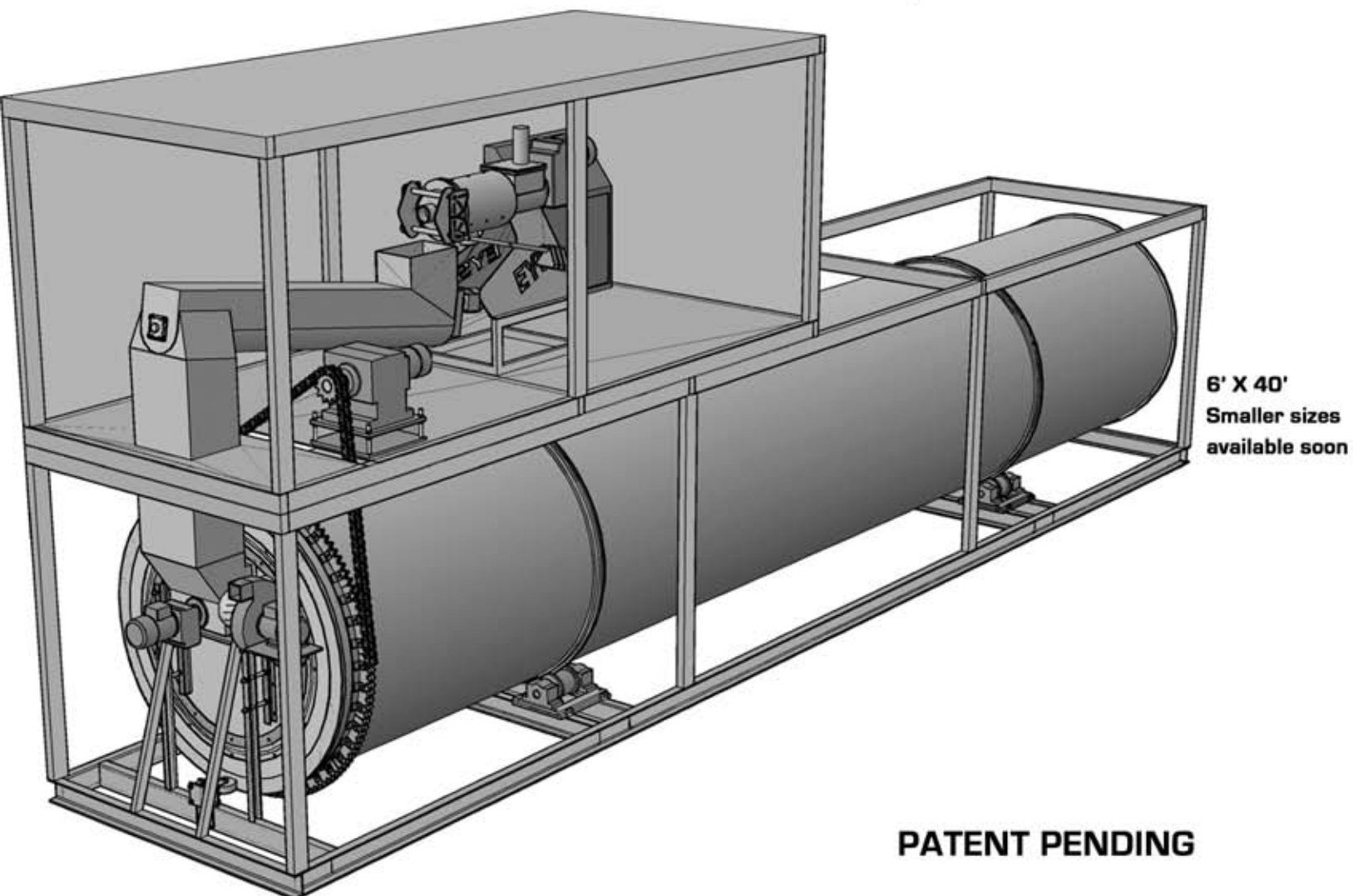


EYS Bedding Maker

- Proven composting technology
- Fixed end provides greater capacity for better value
- Heavy duty drive system, idler wheels and bearings for longevity
- Solid HDPE (high density polyethylene) barrel provides wear resistance, insulation and durability



Benefits of using a bedding maker versus traditional bedding:

Bedding material from a bedding maker

- Available everyday
- Comfortable and healthy for cows
- No extra cost to bed your cows
- Easy to handle and dispose
- Increases crop production

Traditional bedding

- Not always available
- May cause injuries and discomfort to cows
- Traditional bedding costs extra money

Every day you get the same **great quality** material, there is no need for extra storage space and it's **environmentally friendly!** These are just a few of the many great **benefits** of using manure solids as bedding.

This bedding maker takes **proven technology** and applies it in an **economical** and **efficient** manner suited for dairies in wet climates. The bedding maker provides a **cost effective** method of turning manure into bedding with minimal manpower requirements.

Built with **excellent workmanship** to ensure **great performance** for years to come.

