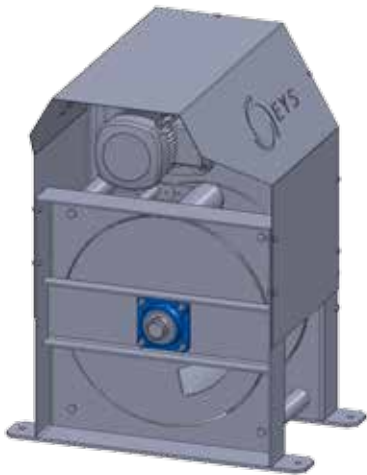
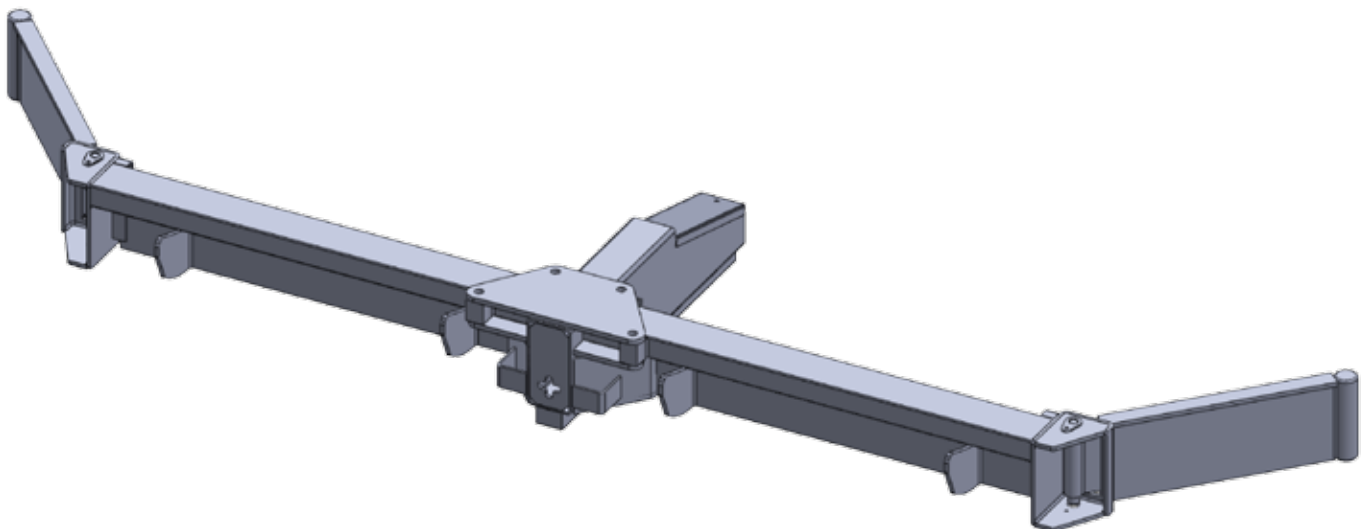
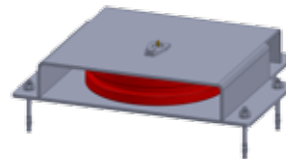


Manure Scrapers



- Chain Scrapers
- Cable / Rope Scrapers
- Channel Scrapers



The EYS Scraper System, along with DariTech design from equipment and control, bring you great scraper systems. As with all DariTech products, our goal is to reduce daily labor and repair costs.



EYS Cable/Rope Scraper

With the unique design of the EYS dual drive system, combined with stroke switch in corner wheel, you receive so many advantages:

- Eliminate the time to tighten cable
- Greatly reduce time to change cable
- Reduce the adjustments required for drop slot location
- Eliminate the out of adjustment problem with worm drive switching
- Repair and maintenance greatly reduced
- Galvanized construction



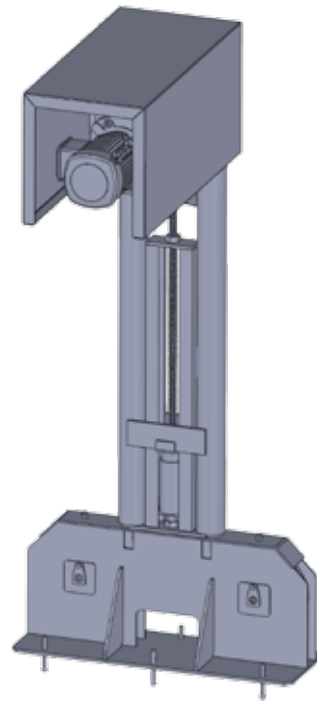
Optional V-Blade

EYS Channel Type Scraper

EYS Channel Scrapers come with EYS dual drive systems for your channel. There are many advantages compared to the single drive system:

- Eliminate the extra cable or rope for the return cable and wear associated with it
- Eliminate maintenance with level wind timing
- Greatly reduce time when changing rope and cable
- Precise shut-off of end of stroke with no adjustment needed
- No end pulley boxes required





EYS Chain Scraper

The EYS chain scraper has great features that sets them apart:

- All galvanized construction
- Gear reduction drive system
- Hardened chain for extended wear
- Easy chain tightening
- End switch in corner wheel for precise stopping



**DT Scraper Control
PLC Panel**

PLC Control Box:

With all DariTech EYS scrapers, we incorporate the use of PLC and VFD.

- Very good sensing of down cows or scraper interference
- Ability to choose scraper speeds for optimum alley cleanliness
- Ability to do partial strokes after end of cycle
- Accelerated speed for faster installation using VFD
- Fully flexible start timing options
- Remote accessibility for setting and monitoring from main office or a hand held device if desired.

EYS Scraping Technical Specs

	Chain		Rope/Cable		Channel
Drive Type	Gearbox driven chain wheel		Gearbox driven drum		Gearbox driven drum
Drive Component	Heat treated chain		3/8" or 1/2" cable or 7/16" rope		3/8" or 1/2" cable or 7/16" rope
Drive Power	1 - 1.5 hp		1 - 1.5 hp		1 - 1.5 hp
Running Speed	4 - 10 ft per min		4 - 10 ft per min		4 - 10 ft per min
Maximum Scraping Length	500 ft		500 ft		500 ft
Max Scraper Length w/ Shuttle	800'		800'		800'
Scraper Width	3 ft - 19.5 ft		3 ft - 19.5 ft		1.5 ft - 3 ft
Scraper Height	7"	8"	7"	8"	23 inches
Scraper Design	Tilting	V-Blade	Tilting	V-Blade	Box



DariTech, Inc • Lynden, WA

Why DariTech

DariTech is the most complete manure handling company in the industry. From separation, pumping or barn cleaning with flush or scrape, we understand the big picture of every dairies needs.



DariTech, Inc
 8540 Benson Road
 Lynden, WA 98264
 Toll Free: 800-701-3632
 Phone: 360-354-6900