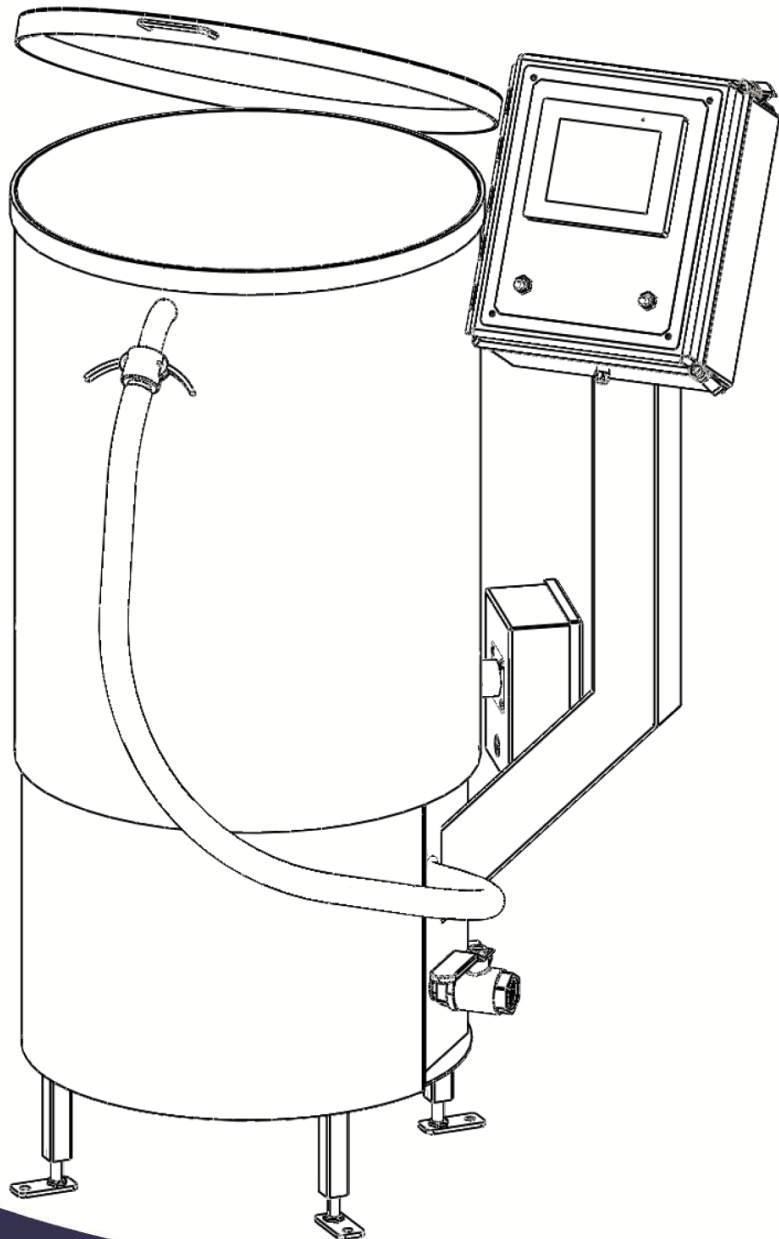


# *Calf Milk* **Pasteurizer**



*by*



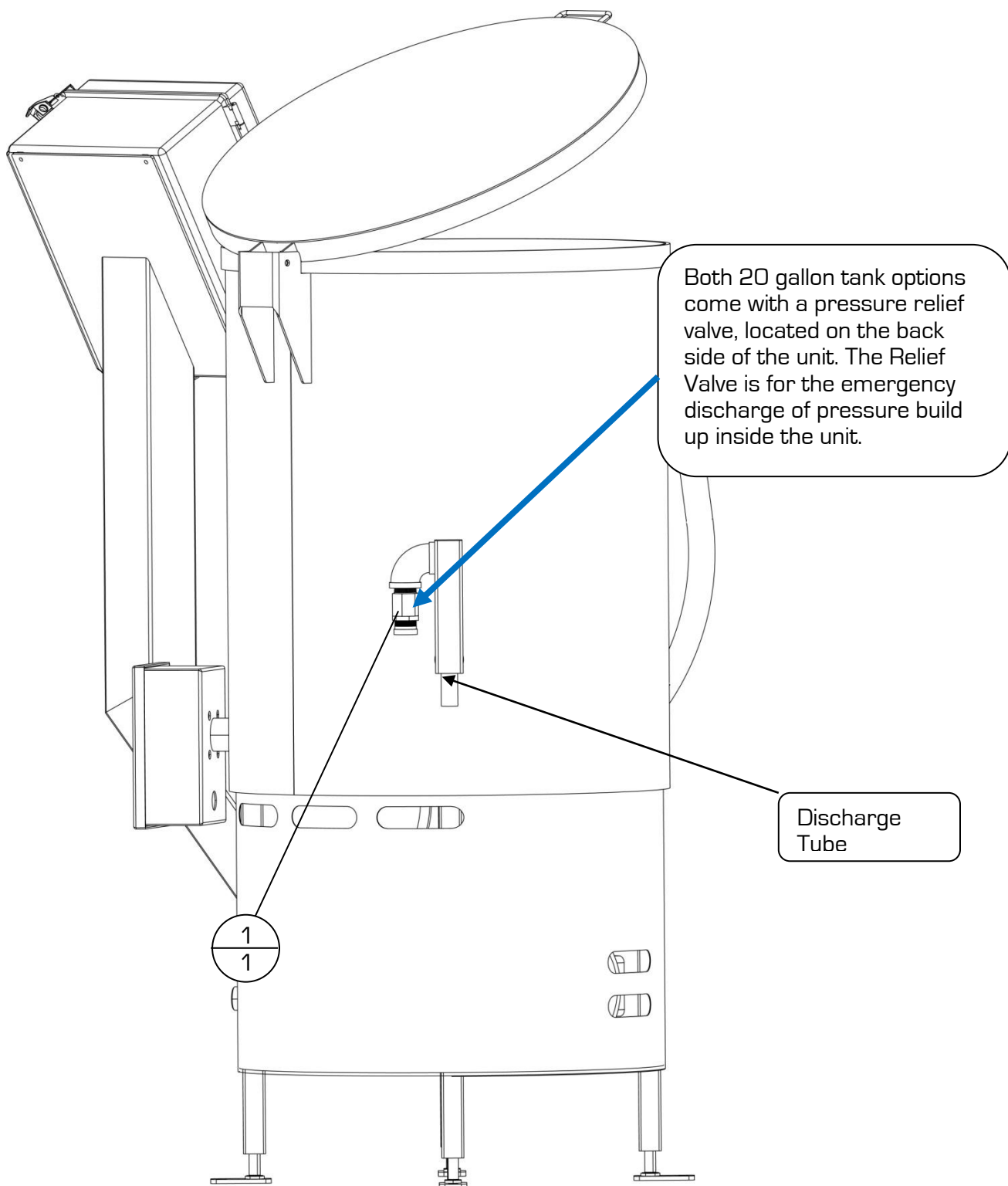
**WESTWAARD**

Model:

**20 Gallon Pasteurizers  
(WP20G, WP20G with Wash)**

<b>Revision</b>	<b>Date</b>	<b>Description</b>
Rev. 2	9/30/2015	Completion
Rev. 3	2/12/2026	Poly Dispense nozzle part #'s addition

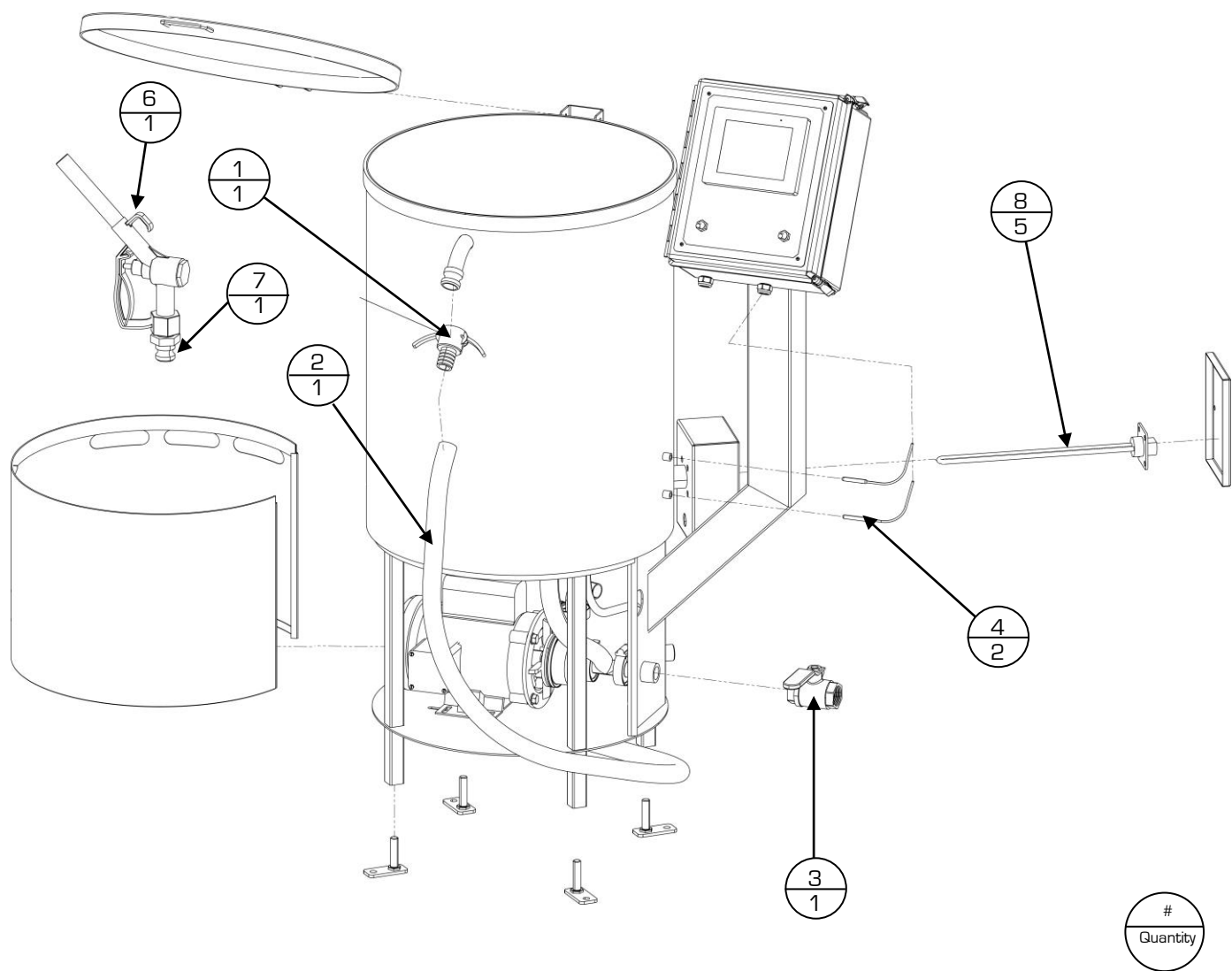
# Tank Components - 20 Gallon Units Pressure Relief Valve



#  
Quantity

Item #	Part #	Description
1	Y574	3/4" Vacuum & Pressure Adj Relief Valve

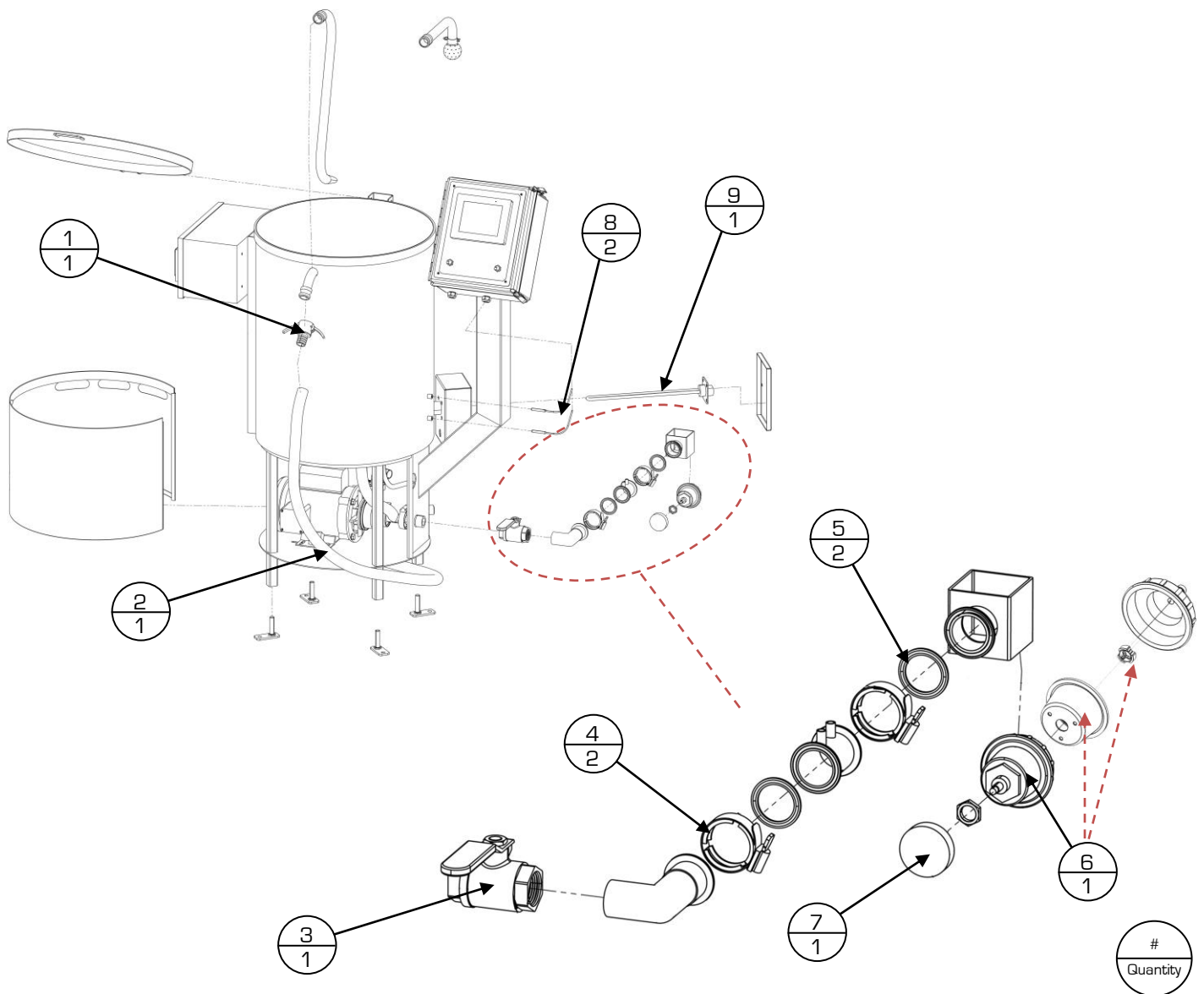
## Tank Components – 20 Gallon Unit (Standard)



Item #	Part #	Description
1	O455	1" S/S Female Cam X FPT (with 1" NPT X Hose Barb, SS)
2	F880	1" PVC Clear Suction Hose
3	Q895	1" SS THR Ball Valve
4	B399	RTD Sensor
5	Y826	Pasteurizer Element 5,000 Watt
6	D893	1" Poly Dispensing Nozzle
7	Z514	1" Polypro Male Cam X MPT

\*Items not listed are considered non-common replacement parts and can be custom ordered upon request.

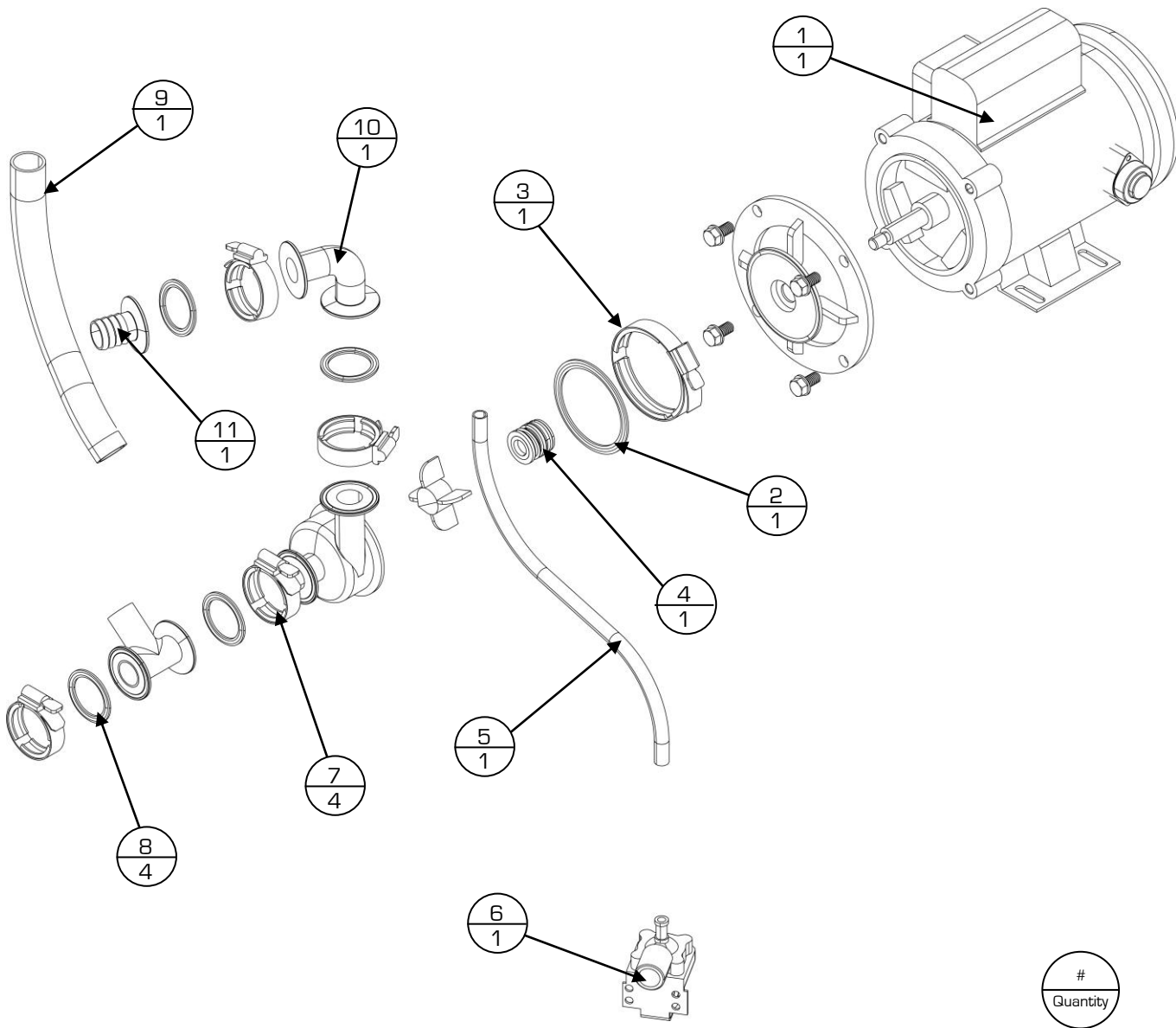
## Tank Components – 20 Gallon Unit with Wash (optional)



Item #	Part #	Description
1	O455	1" S/S Female Cam X FPT (with 1" NPT X Hose Barb, SS)
2	F880	1" PVC Clear suction Hose
3	Q895	1" SS THR Ball Valve
4	A802	1 1/2" SS V Insert Clamp
5	D294	1 1/2" Tri-clamp Rubber Gasket
6	U859	Auto Drain Valve Assembly
	Y387	<i>Piston Diaphragm</i>
	L853	<i>2.0 GPM Flow Control</i>
7	B757	Measure / Drain Valve Cap
8	B399	RTD Sensor
9	Y826	Pasteurizer Element 5,000 Watt

\*Items not listed are considered non-common replacement parts and can be custom ordered upon request.

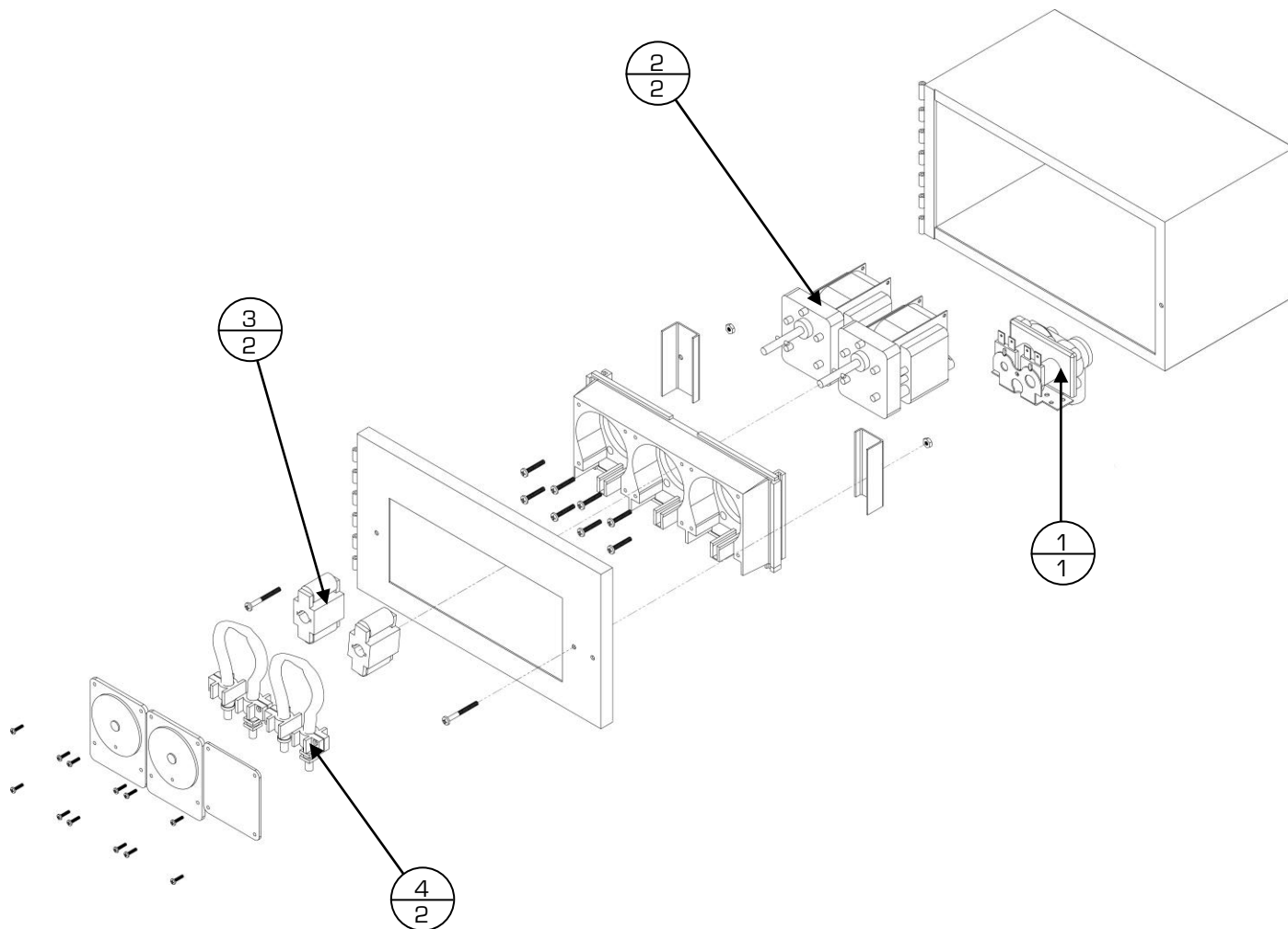
## Motor Parts - 20 Gallon Unit



Item #	Part #	Description
1	C777	1/3 HP, 1Ph, 1800 RPM, 56J
2	X459	4" Triclover Gasket
3	G844	4" SS V Insert Clamp
4	U600	STA-Rite Seal PKG.
5	D750	3/8" Poly Braided Hose
6	T477	Pasteurizer Solenoid Valve (No Restrictor)
7	A802	1 1/2" SS V Insert Clamp
8	D294	1 1/2" Tri-clamp Rubber Gasket
9	F880	1" PVC Clear suction Hose
10	L152	1" SS Tri-clamp 90
11	O793	1inch Tri-clamp X Hose Barb Fitting

\*Items not listed are considered non-common replacement parts and can be custom ordered upon request.

# CIP Box – 20 Gallon Unit With Wash (optional)

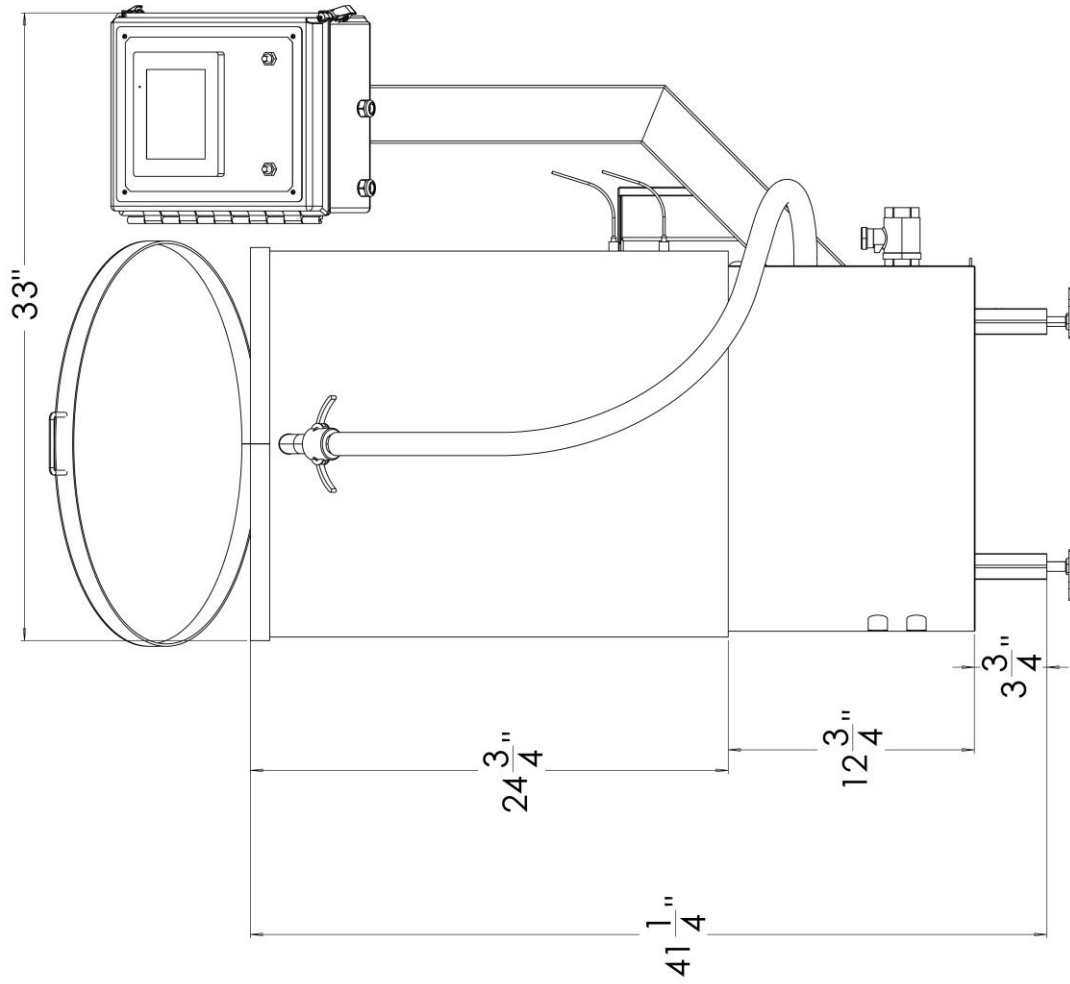


#  
Quantity

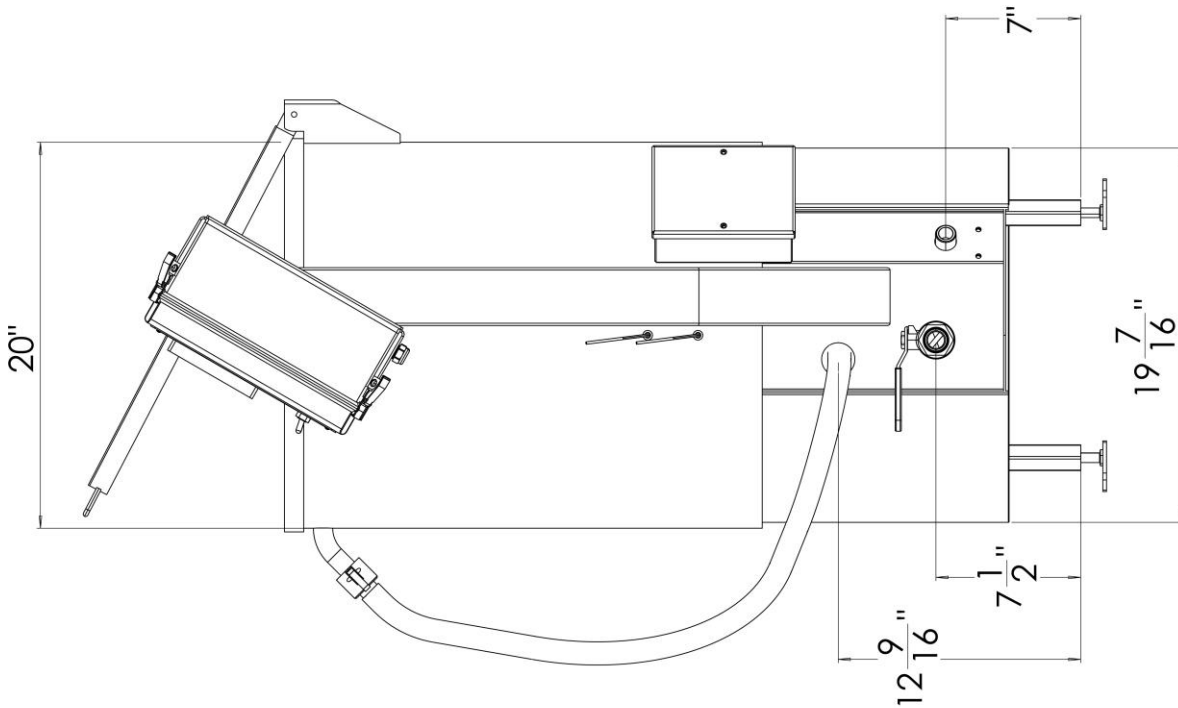
Item #	Part #	Description
1	G873	Water Valve
2	J652	Hi Speed Motor 120V
3	P366	Roller Assembly
4	M263	Bender Squeeze Tube Assembly

\*Items not listed are considered non-common replacement parts and can be custom ordered upon request.

Overall Dimensions - 20 Gallon Unit (Standard)

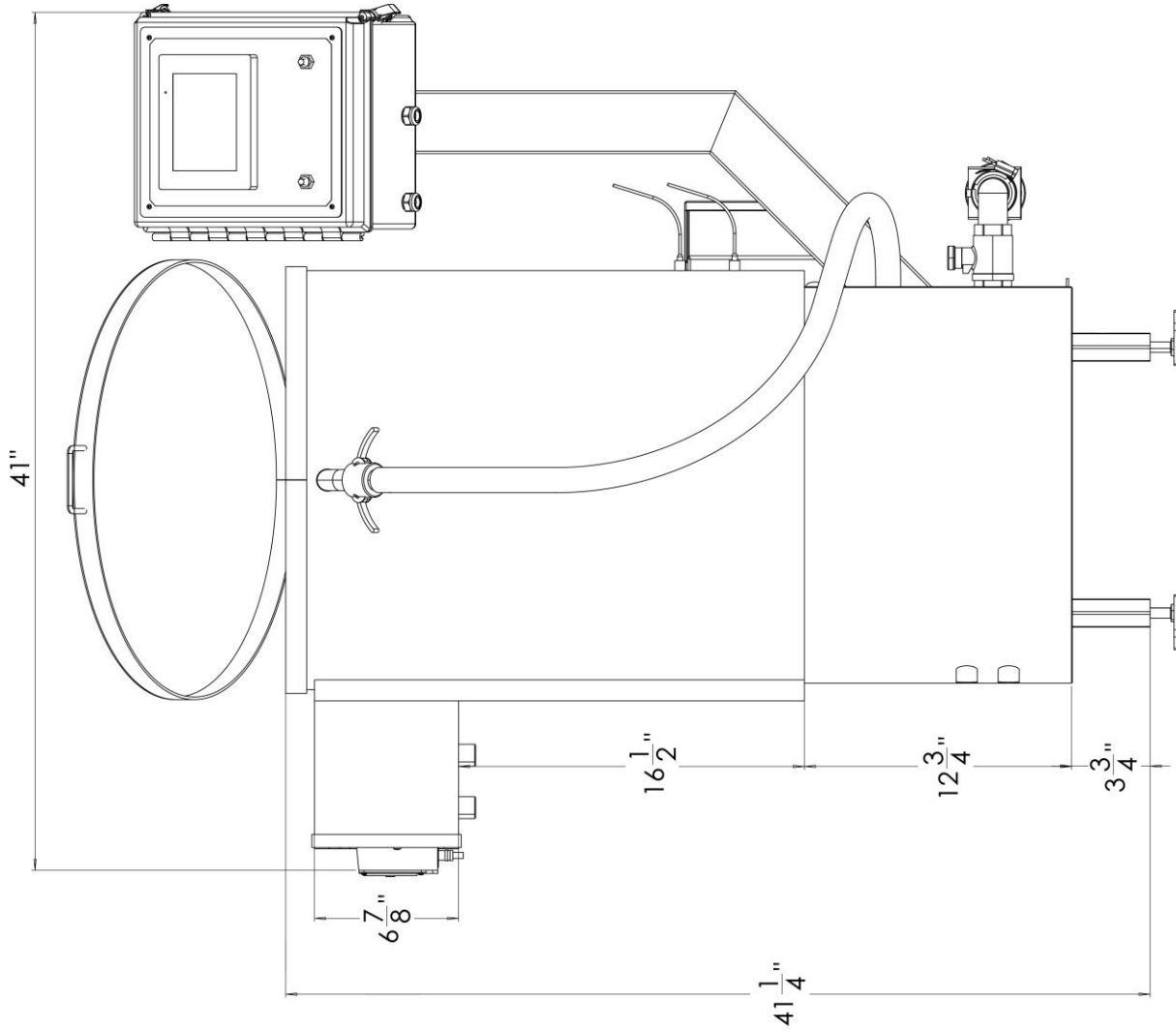


**Front view**

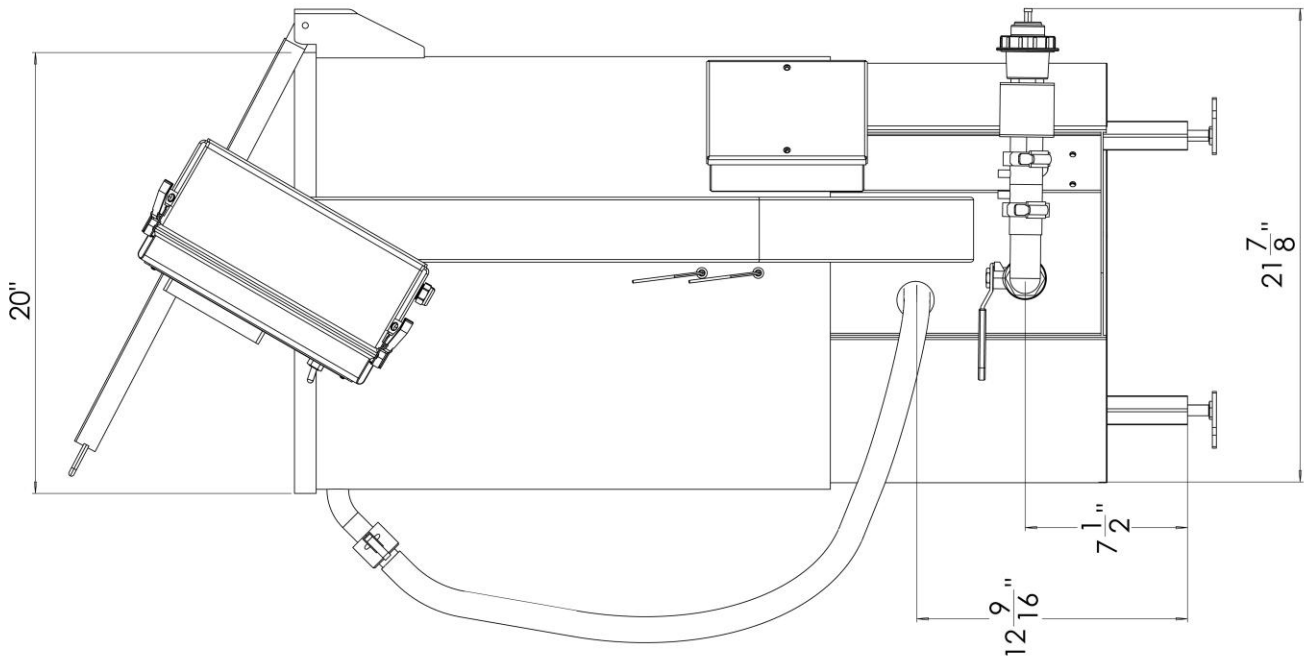


**Side View**

Overall Dimensions - 20 Gallon Unit With Wash (Optional)



**Front view**



**Side View**

---

For Technical Support, to order Replacement Parts, or for questions about other products,  
please contact your local dealer.

---

