

BeddingMaster
Manure Composter

Parts List

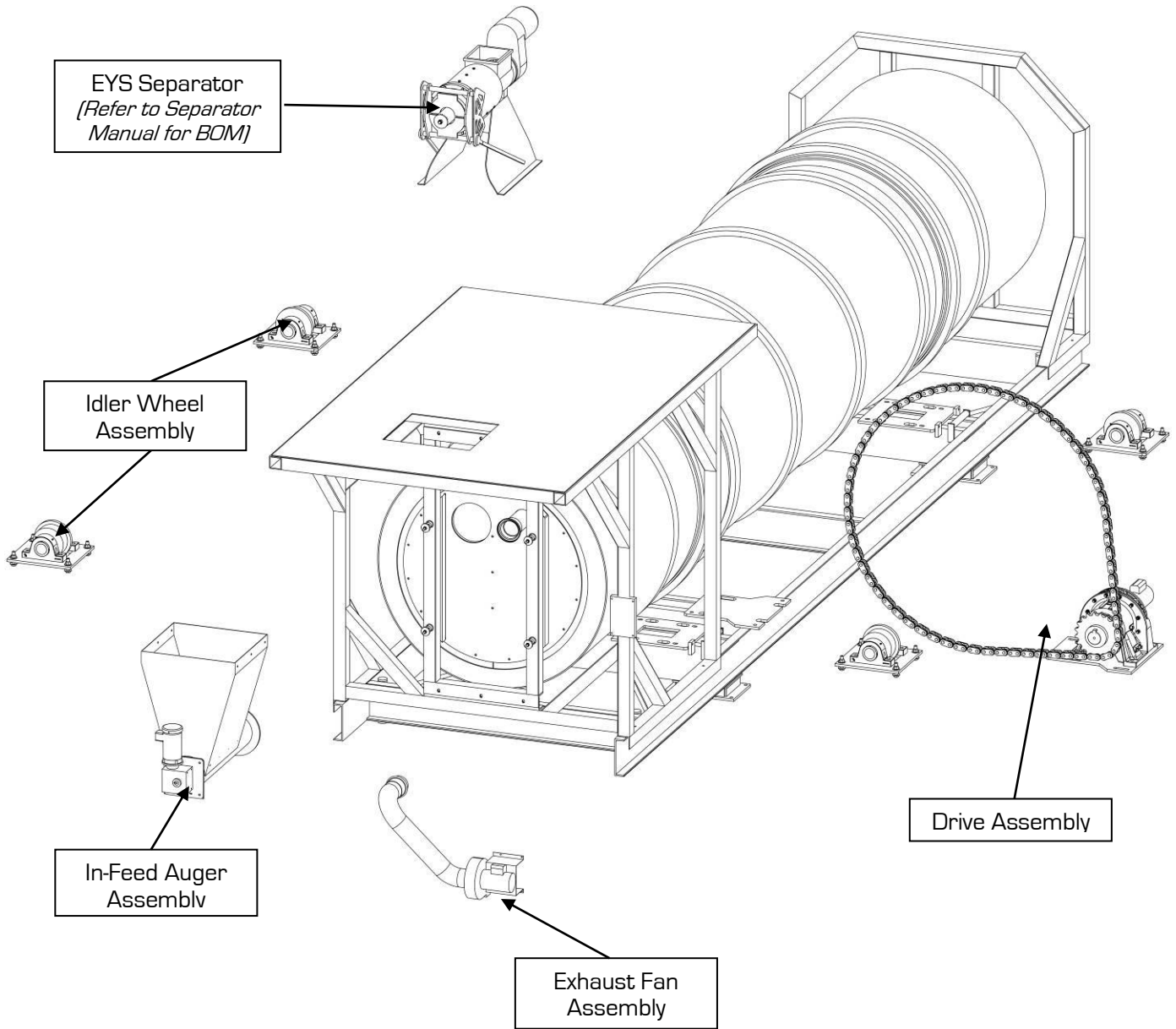
For Models:

5-14

6-20
6-32

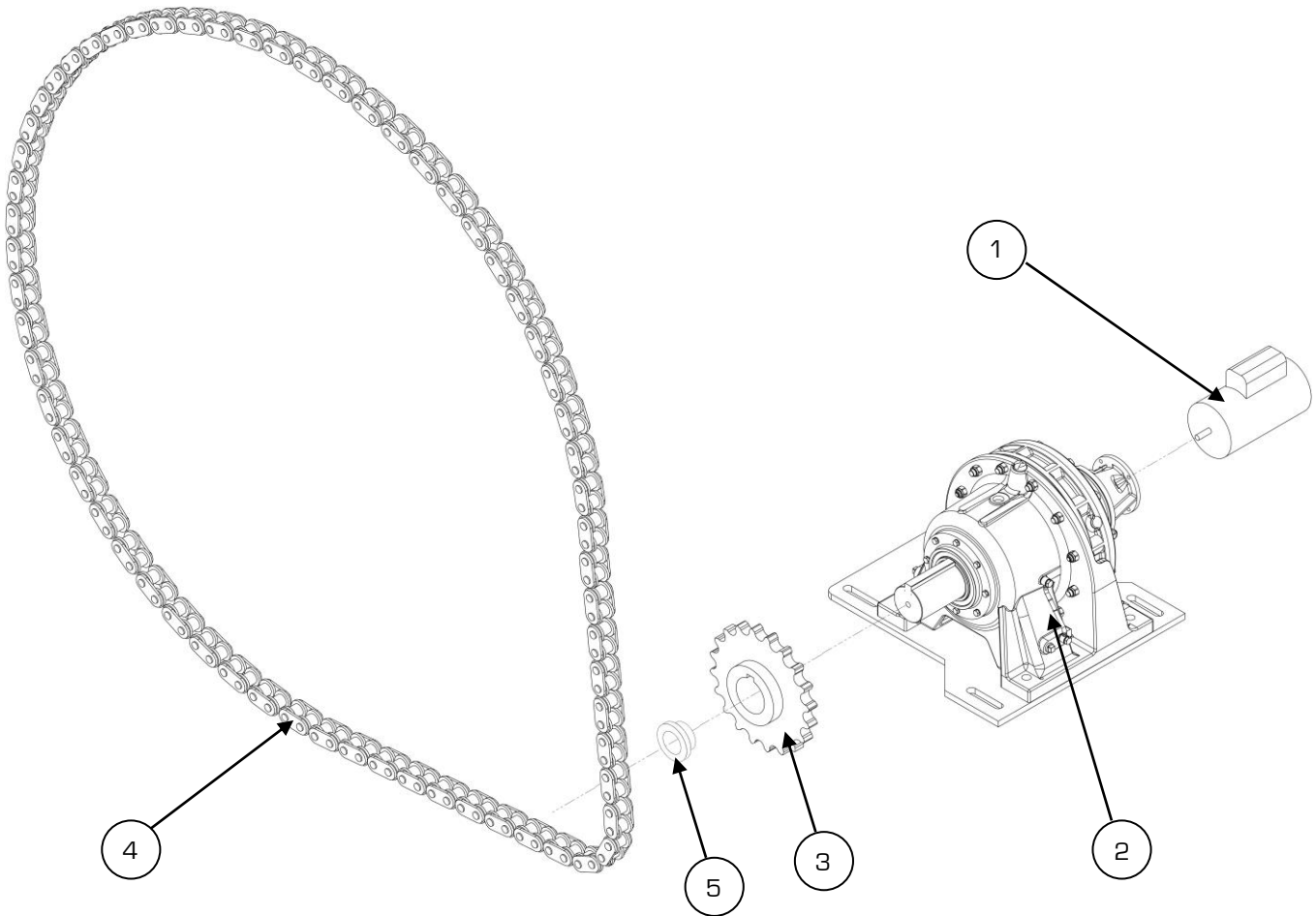
8-40

BeddingMaster - Components



Label	Part #	Description
1	—	Drive Assembly
2	—	EYS Separator
3	—	Exhaust Fan Assembly
4	—	In-Feed Auger Assembly
5	—	Idler Wheel Assembly

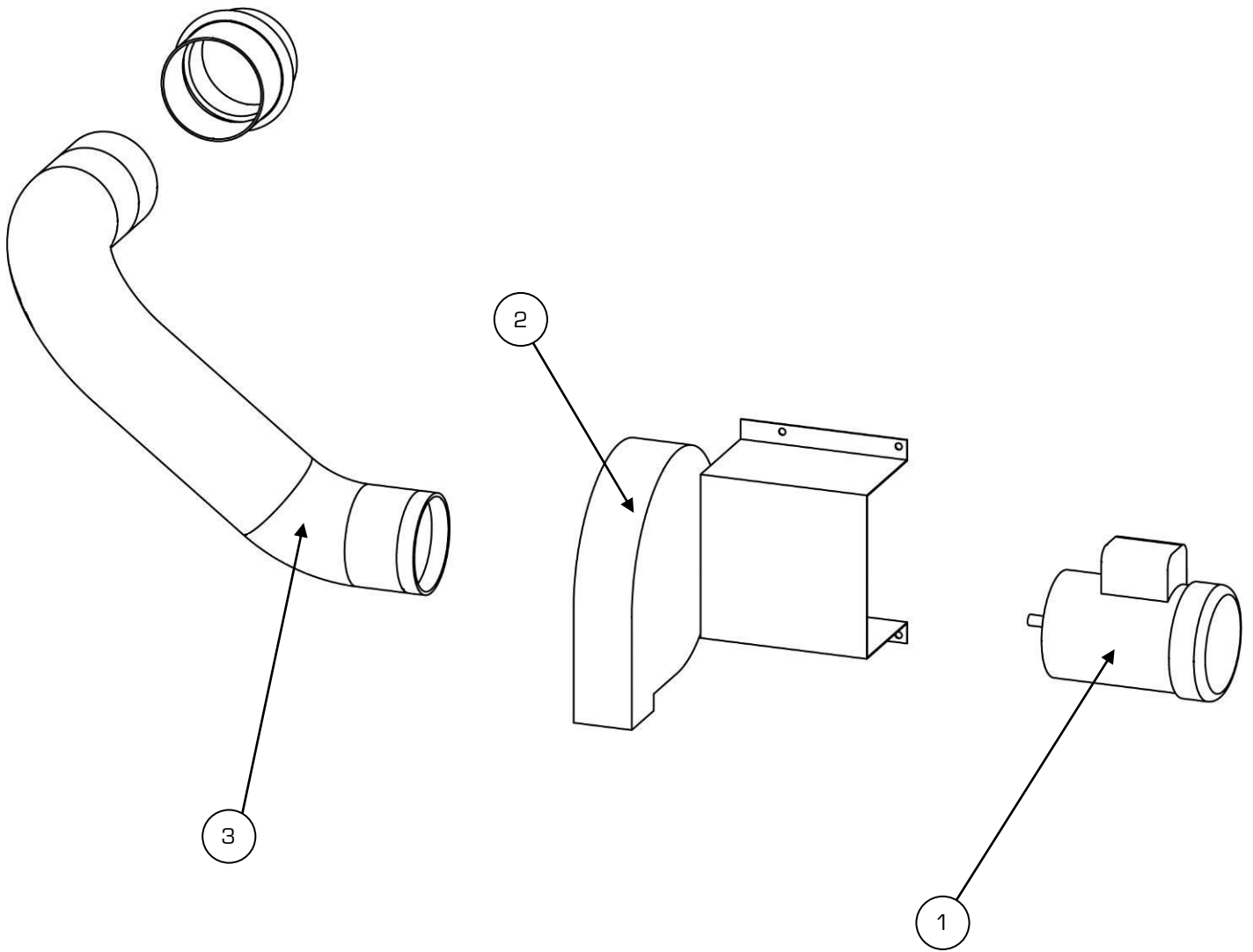
BeddingMaster – Drive Assembly



		BeddingMaster Model					
		5-14	6-20	6-32	8-40		
Label	Part #	Description					
1	P361		C203	R599	5 HP, 3PH Motor US	(BeddingMaster 5-14, 6-20)	
					7½ HP, 3PH Motor US	(BeddingMaster 6-32)	
					15 HP, 3PH Motor US	(BeddingMaster 8-40)	
1	T191		B228	A359	5 HP, 3PH Motor EU	(BeddingMaster 5-14, 6-20)	
					7½ HP, 3PH Motor EU	(BeddingMaster 6-32)	
					15 HP, 3PH Motor EU	(BeddingMaster 8-40)	
2	X545		T547	V191	Gearbox		
3	Q154		A465	C270	120 Chain, 30T Sprocket	(BeddingMaster 5-14, 6-20)	
					180 Chain, 20T Sprocket	(BeddingMaster 6-32)	
					200 Chain, 19T Sprocket	(BeddingMaster 8-40)	
4	D784		P177	Q665	Replacement Chain Link (Sold By The Foot)		
						31' OAL (BM 8-40)	
						26' OAL (BM 6-32)	
						25' OAL (BM 6-20)	
						25' OAL (BM 5-14)	
5	—		—	Q741	QD Drive Bushing (BM 8-40 Only)		

* Items not listed are considered non-common replacement parts and can be custom ordered upon request.

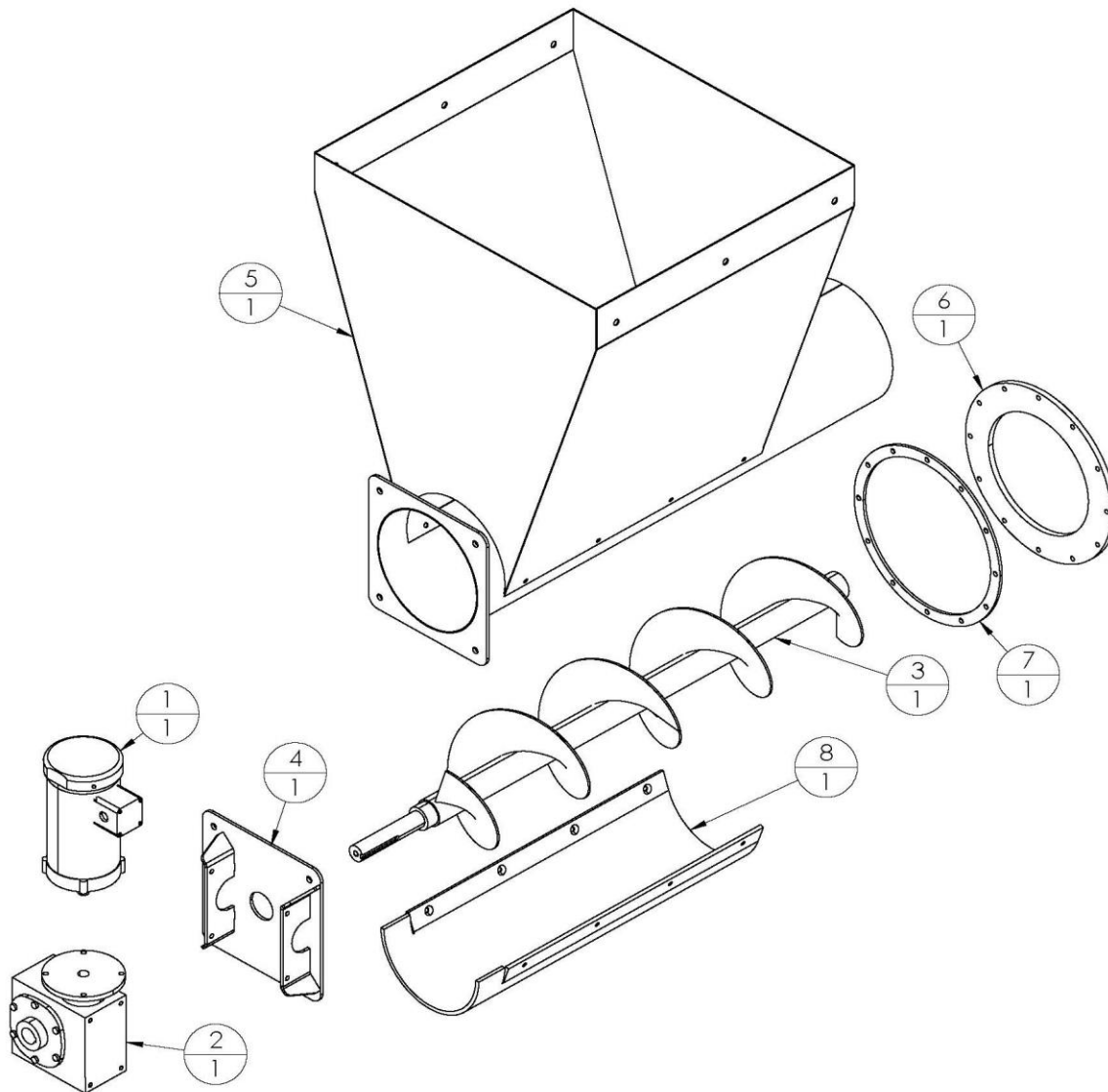
BeddingMaster – Exhaust Fan Assembly



Label	Part #	Description
1	G252	1 HP, 3PH Motor
1	X576	1 HP. 3PH Motor (Europe)
2	E561	Replacement Fan Wheel for Blower
3	P384	5" Fume Extractor Hose (Sold By The Foot) 5' OAL (BM 8-40 & BM 6-32) 4' OAL (BM 6-20 & BM 5-14)

*Items not listed are considered non-common replacement parts and can be custom ordered upon request.

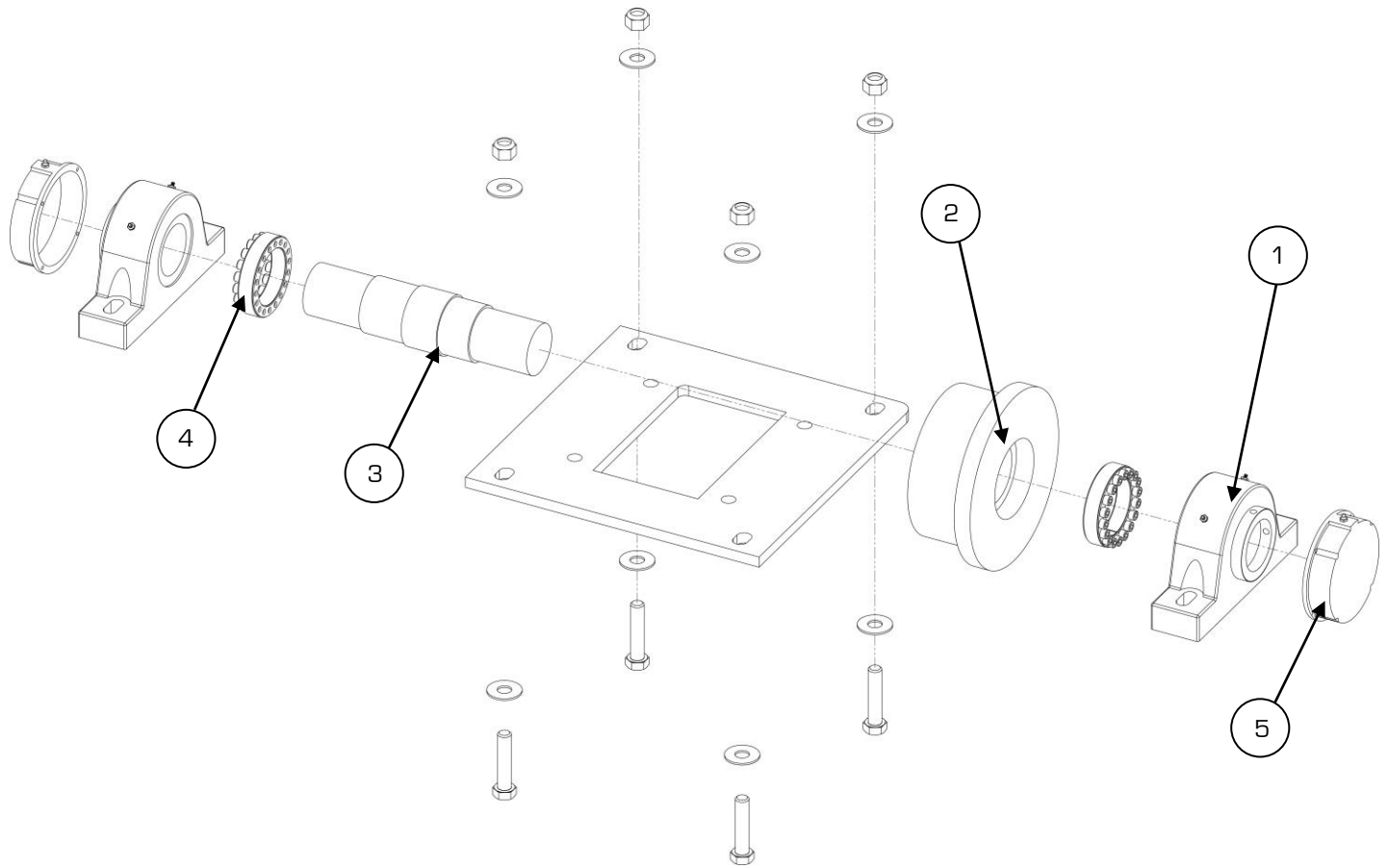
BeddingMaster – In-Feed Auger Assembly



*Gearbox changed after 5/1/18 from Baldor to Dodge- if shipped before this date, will need to order #4 as well		
Label	Part #	Description
1	Z748	1 HP, 3PH C-face Motor
1	B323	1HP. 3PH C-face Motor (Europe)
2	C413	Gearbox
3	L819	Infeed Auger
4	E756	Mounting Bracket for Infeed Auger Gearbox
5	R261	In-Feed Auger Housing-BM (Unique to each size of machine, specify size when ordering replacement)
6	Y216	Auger Inlet Rubber BM 1/2" Black Neoprene
7	F660	Flange for Hopper Seal
8	T136	In-Feed Auger HDPE Wear Bed

*Items not listed are considered non-common replacement parts and can be custom ordered upon request.

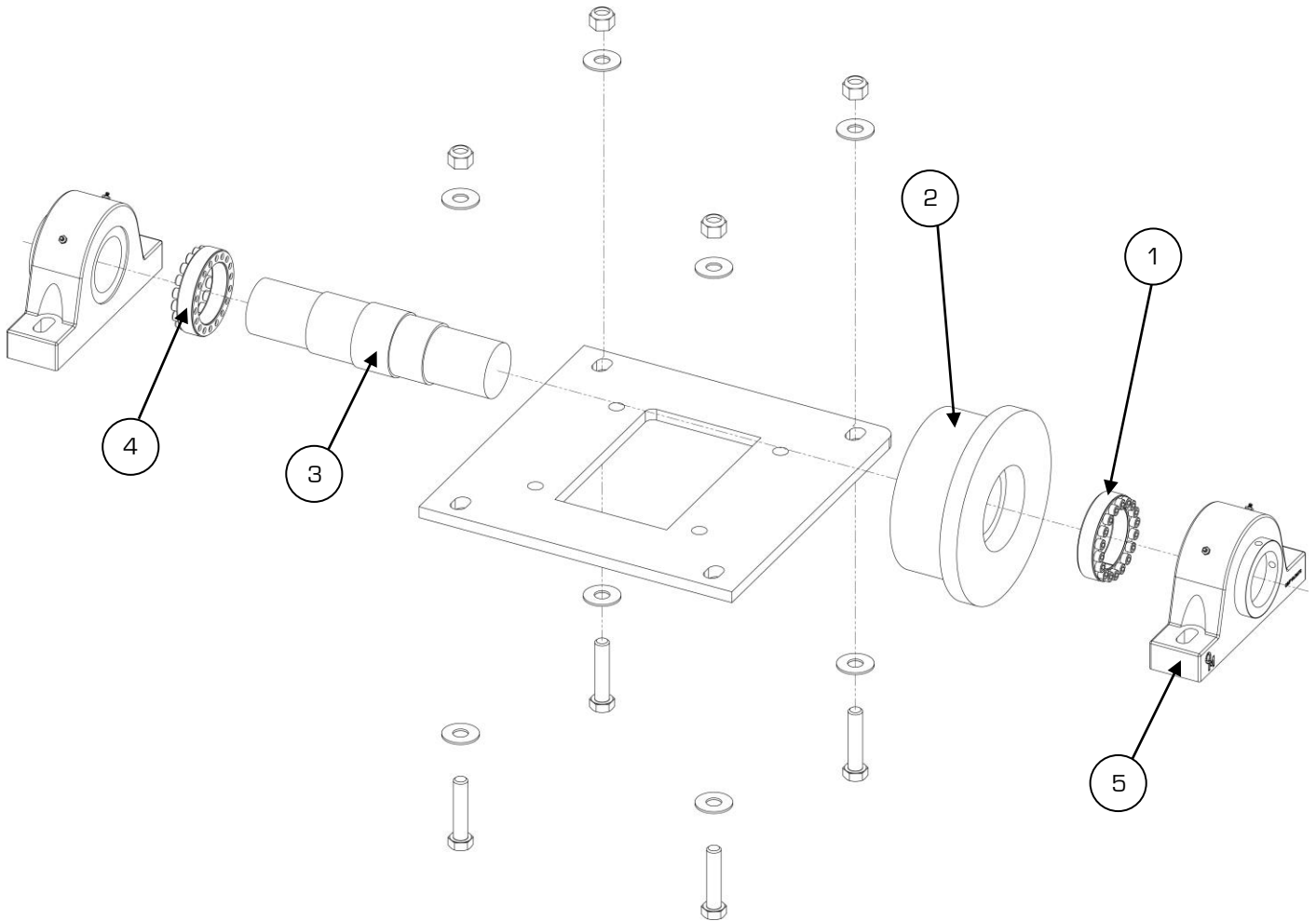
BeddingMaster – Idler Wheel Assembly



Label	BeddingMaster Model				Description
	5-14	6-20	6-32	8-40	
1	P797				Pillow Bearing
2	R735				Trunion Wheel
3	L662				Trunion Shaft
4	J435				B-loc
5	L610				Closed End Cover

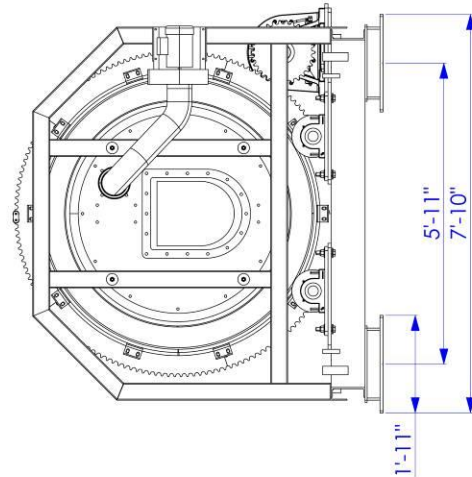
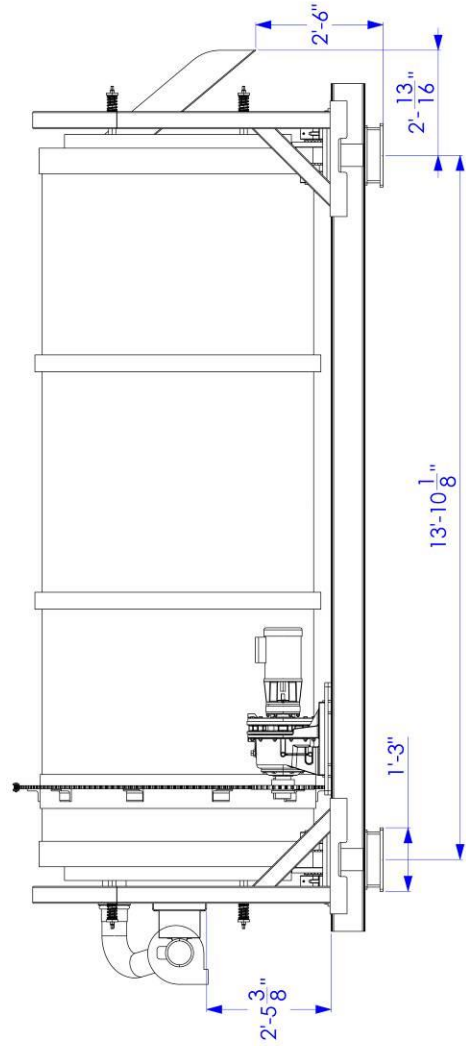
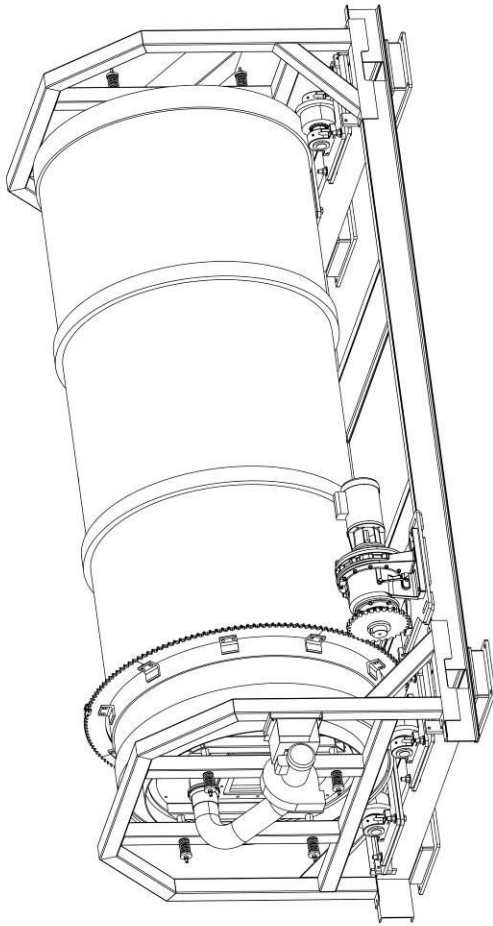
*Items not listed are considered non-common replacement parts and can be custom ordered upon request.

BeddingMaster – 8-40 QM Idler Wheel Assembly (Older Composter)

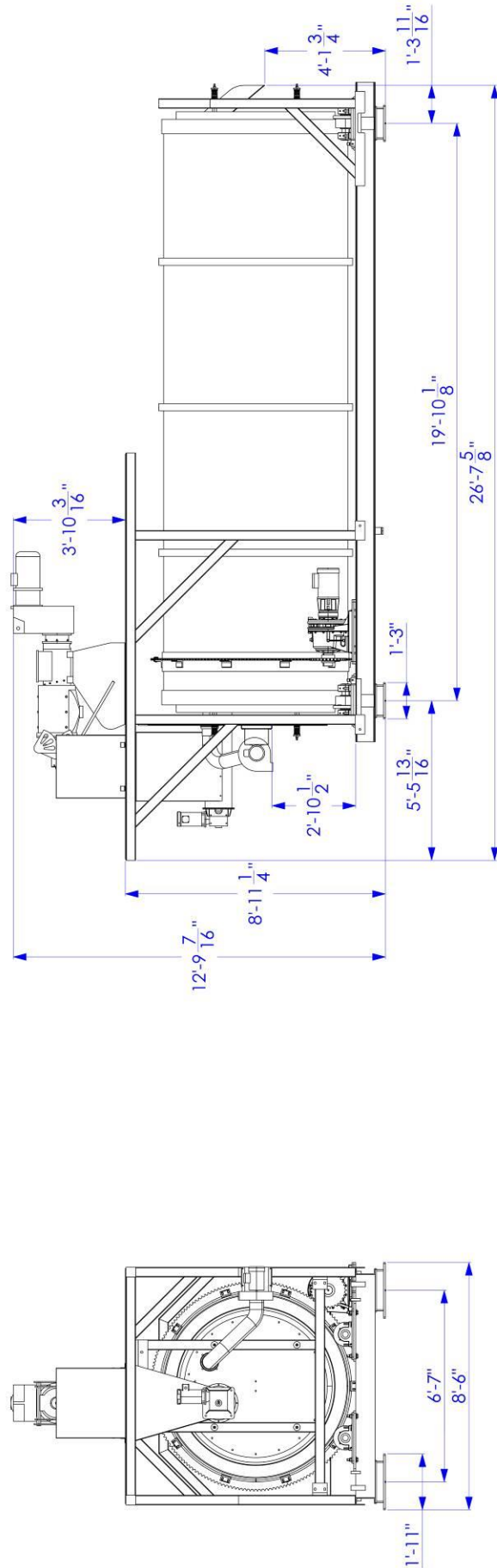
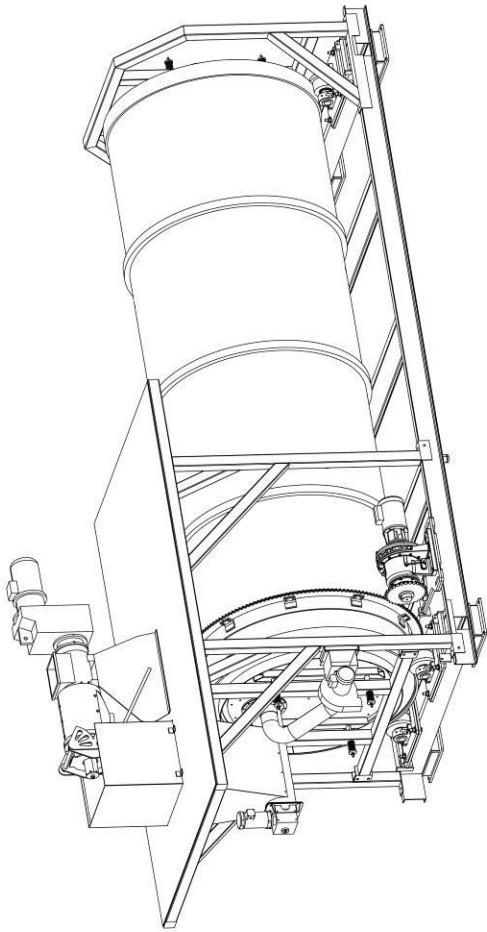


BeddingMaster Model		
8-40		
Label	Part #	Description
1	D301	Pillow Bearing
	B862	Pillow Bearing at Drive
2	O330	Trunion Wheel
	G443	Trunion Wheel at Drive
3	Q685	Trunion Shaft
	F104	Trunion Shaft at Drive
4	A892	B-Loc
	T788	B-Loc at Drive

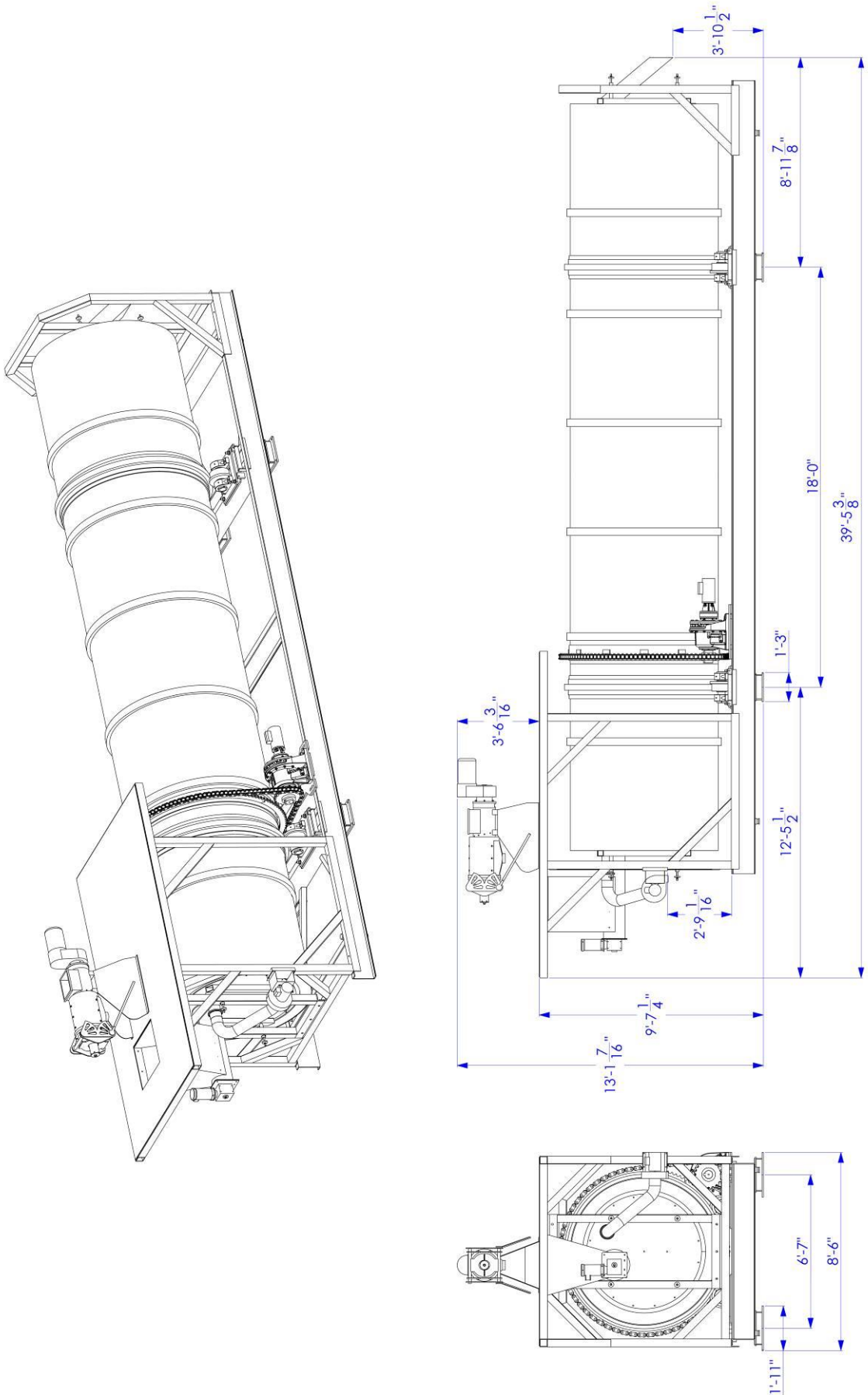
BeddingMaster 5-14 - Overall Dimensions



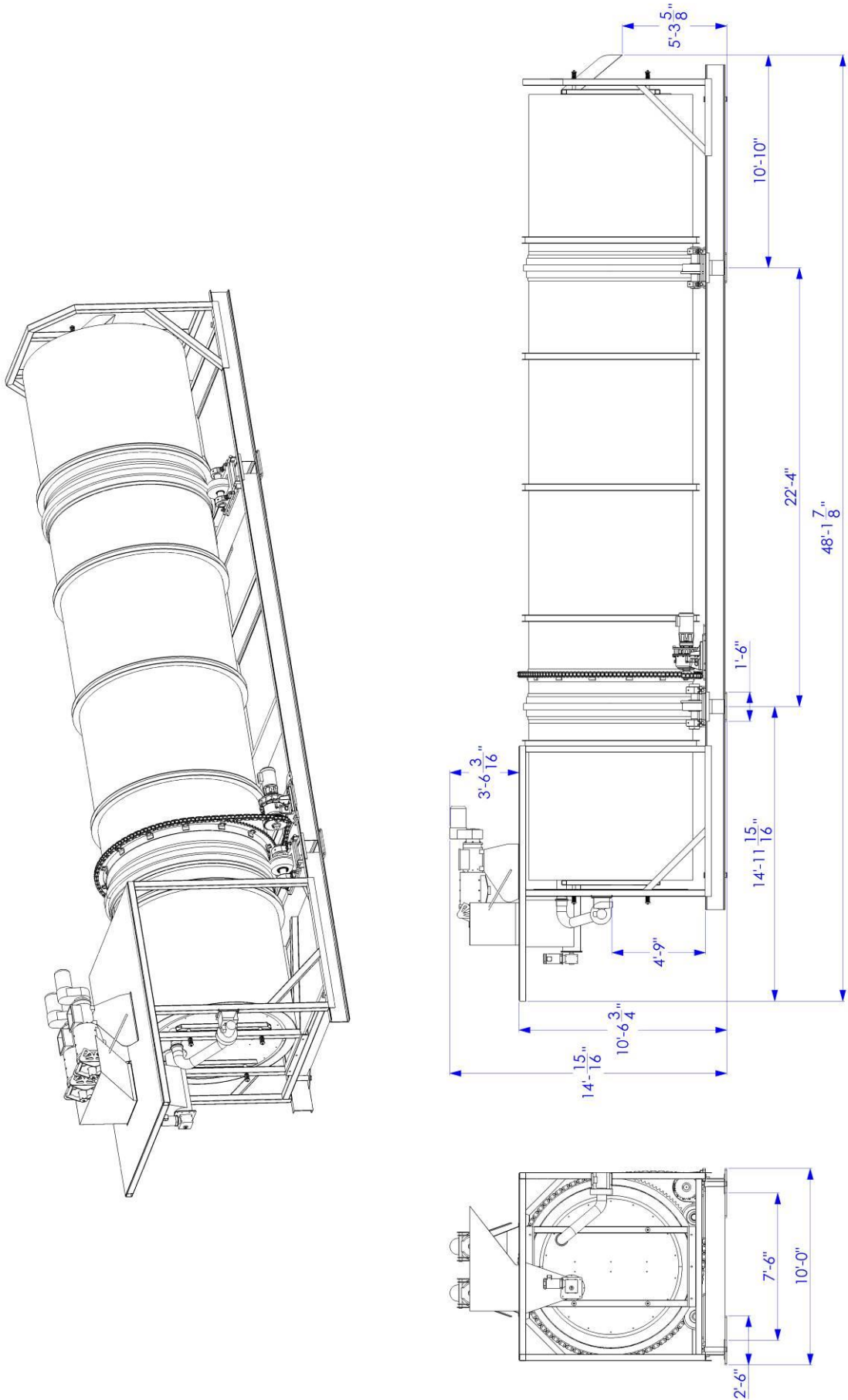
BeddingMaster 6-20 - Overall Dimensions



BeddingMaster 6-32 - Overall Dimensions



BeddingMaster 8-40 - Overall Dimensions



For Technical Support, to order Replacement Parts, or for questions about other products,
please contact your local dealer.
