



Bottle Washer



Model:

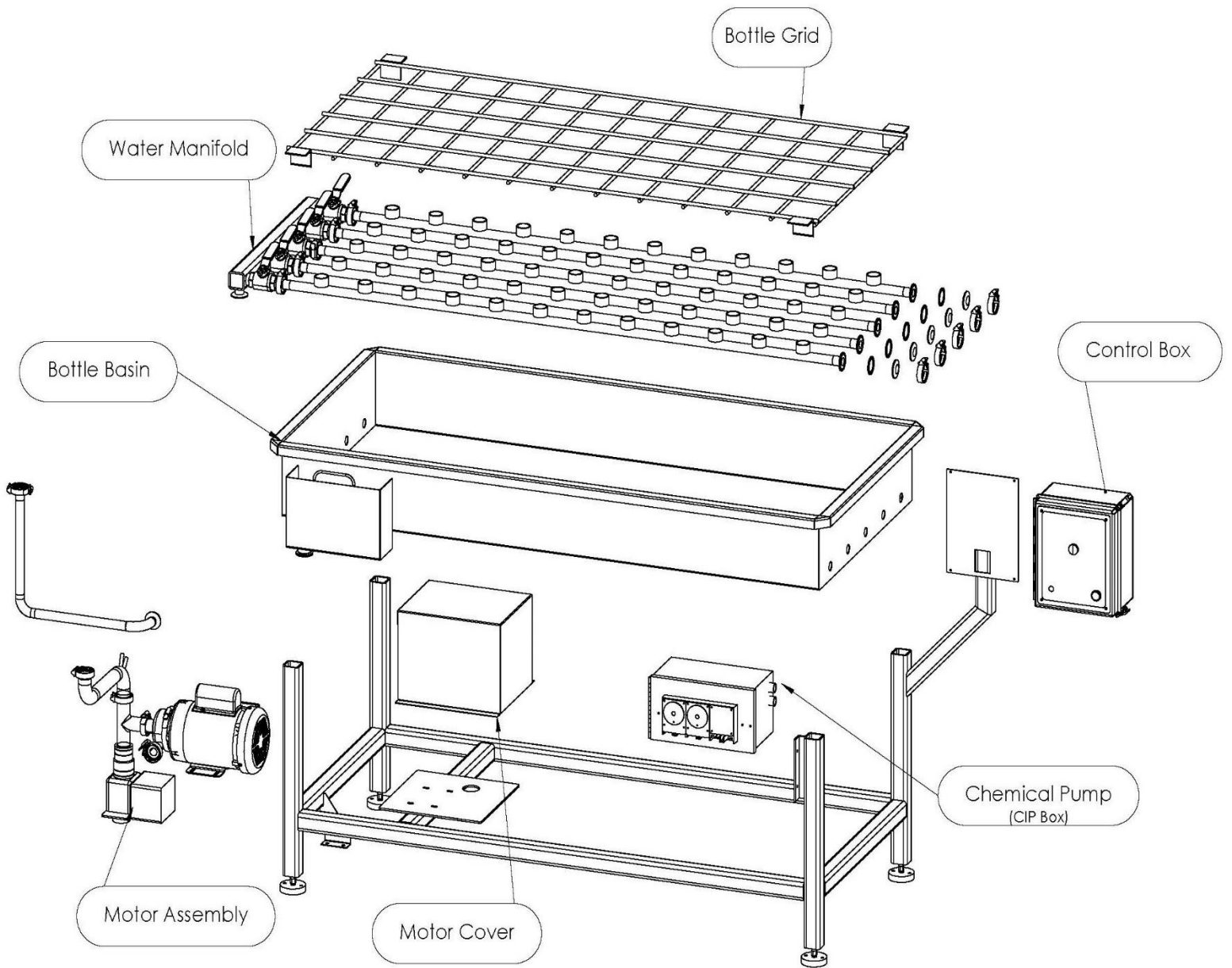
Stand Alone Bottle Washers

WBW-30, WBW-40, WBW-60,
WBW-90, WBW-120, WBW-150,
WBW-200

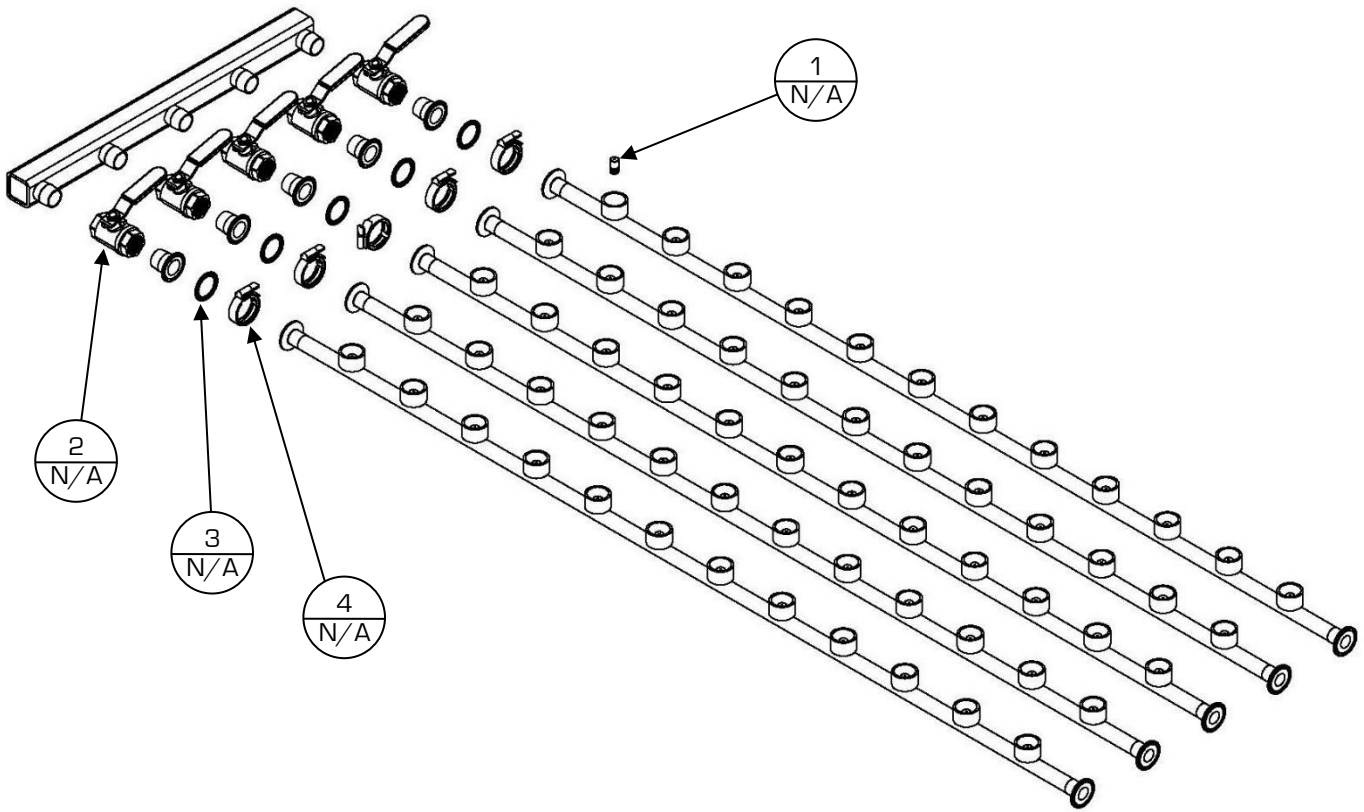
WESTWAARD
FABRICATORS for DARITECH

WBW – Manifold & Spray Bar

Revision #	Description of Revision	Date
Rev. 2.2	Table Addition	–
Rev. 2.3	Dual Water Sol Valve Update	10/7/25
Rev. 2.4	Motor Part # Update	3/18/26



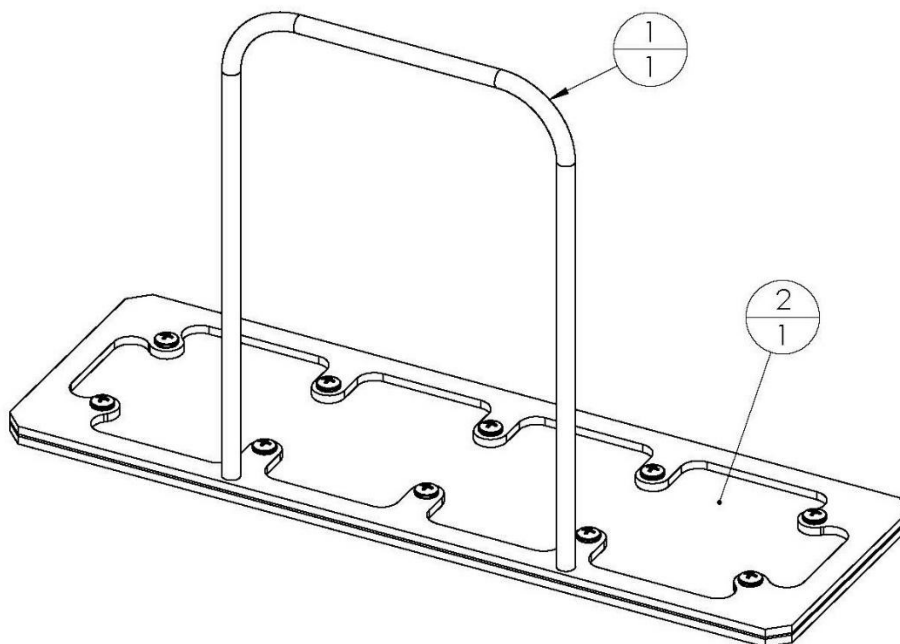
WBW – Manifold & Spray Bar



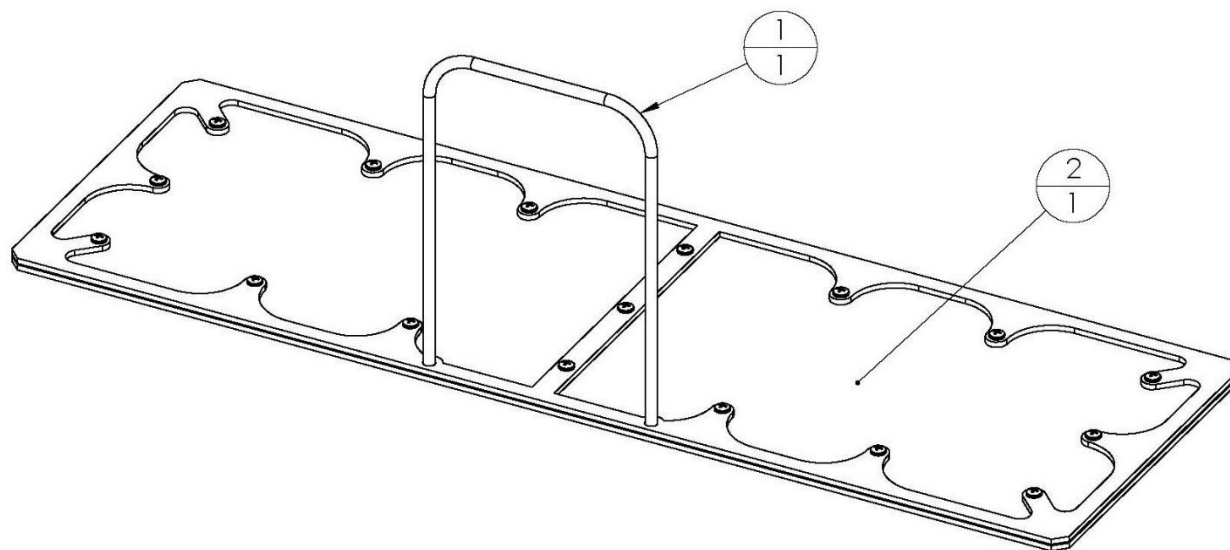
Quantity

Item #	Part #	Description
1	L678	Bottle Washer ¼" Spray Nozzle
2	Q985	1" SS THR Ball Valve
3	D294	1 ½" Tri-clamp Rubber Gasket
4	A802	1 ½" SS V Insert Clamp

WBW – Filter ASM



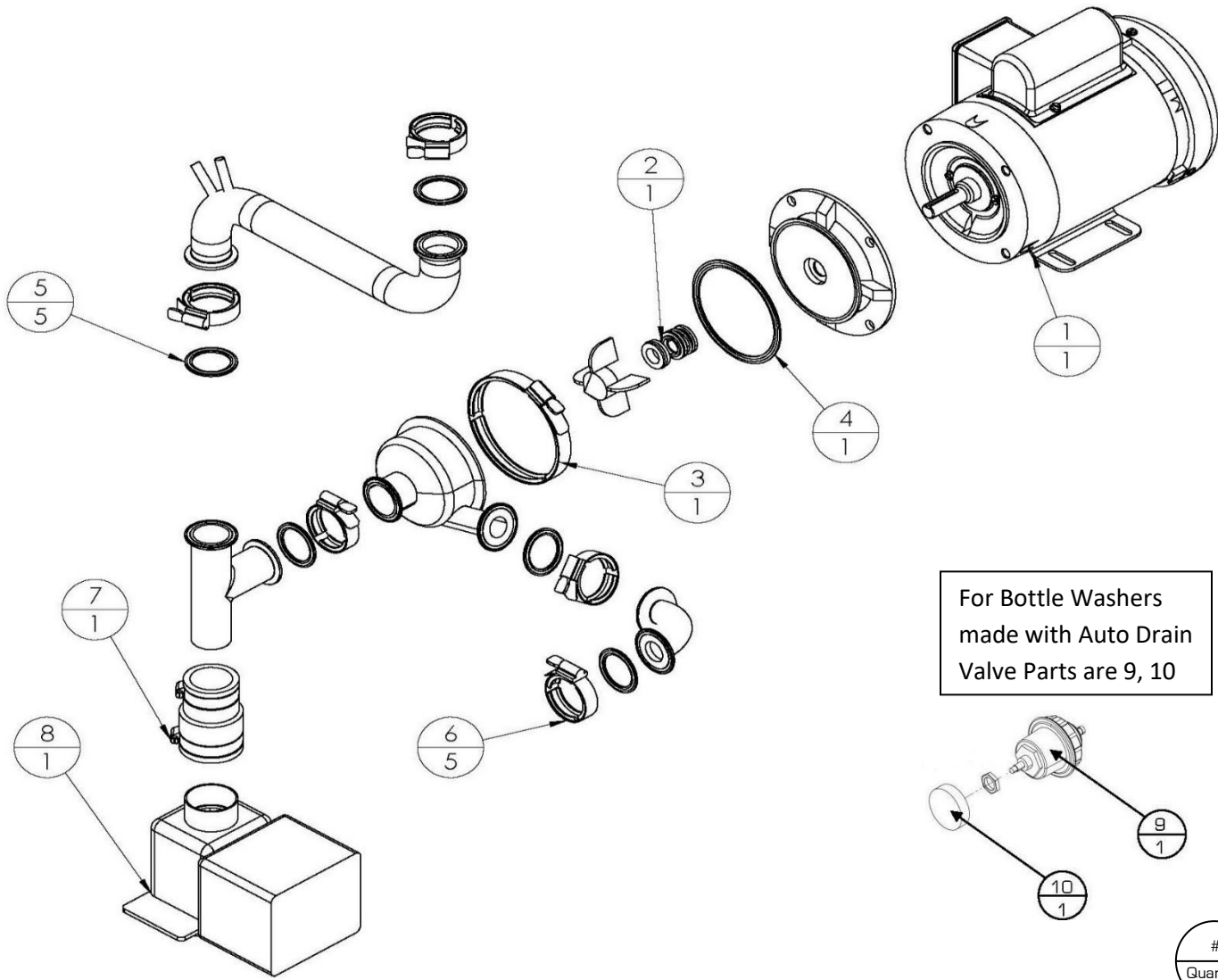
Item#	Part#	Description
1	Z670	Drop Filter Assembly Complete 30BW-90BW
2	C657	Replacement Screen Mesh 30BW-90BW



Quantity

Item #	Part #	Description
1	U205	Drop Filter Assembly Complete 120BW-200BW
2	C616	Replacement Screen Mesh 120BW-200BW

WBW-Motor Assembly with Dependo Drain

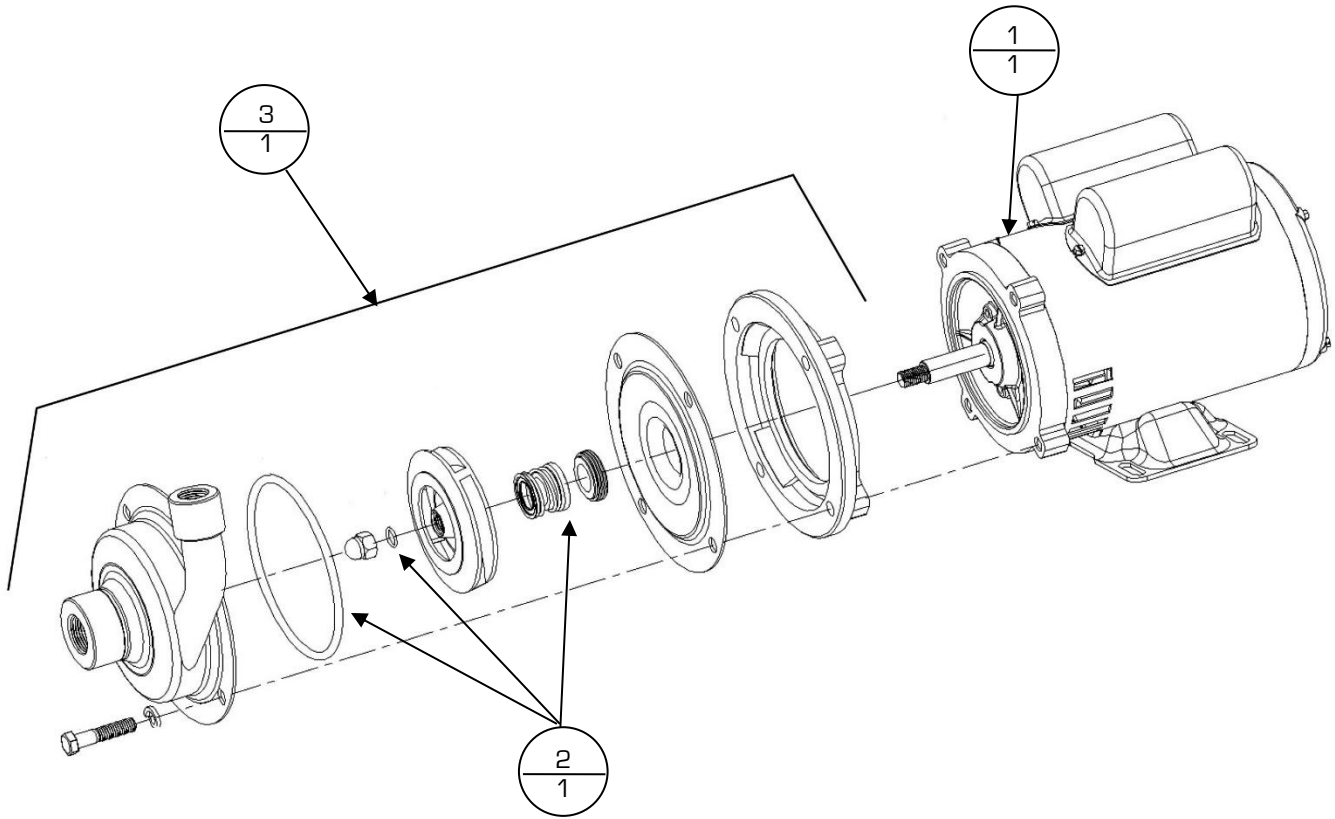


For Bottle Washers
made with Auto Drain
Valve Parts are 9, 10

Quantity

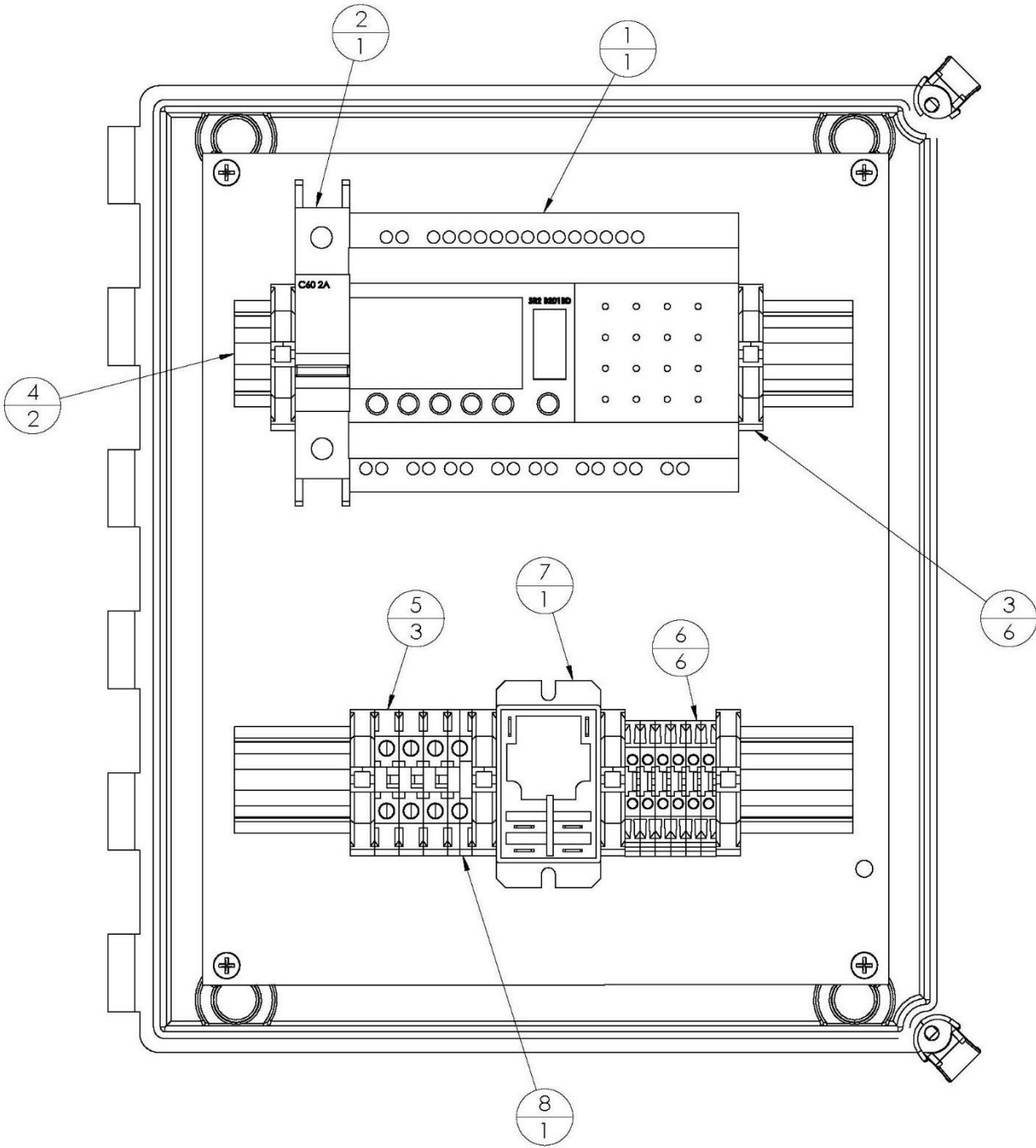
Item #	Part #	Description
1	C748	1 HP, 3450 RPM <i>[For Models: WBW-30, WBW-40, WBW-60]</i>
	B575	1.5 HP 3450 RPM <i>[For Models: WBW-90, WBW-120]</i>
	V129	2 HP 3450 RPM <i>[For Models: WBW-150]</i>
2	U600	STA-Rite Seal PKG.
3	G844	4" SS V Insert Clamp
4	X459	4" Triclover Rubber Gasket
5	D294	1 1/2" Tri-clamp Rubber Gasket
6	A802	1 1/2" SS V Insert Clamp
7	B150	Ferenco 1-1/2" x 1-1/4" Reducer / Coupler
8	P582	Dependo Electric Drain Valve
9	U859	Auto Drain Valve Assy
10	B757	Measure/Drain Valve Cap

WBW-200 3HP Motor/Housing



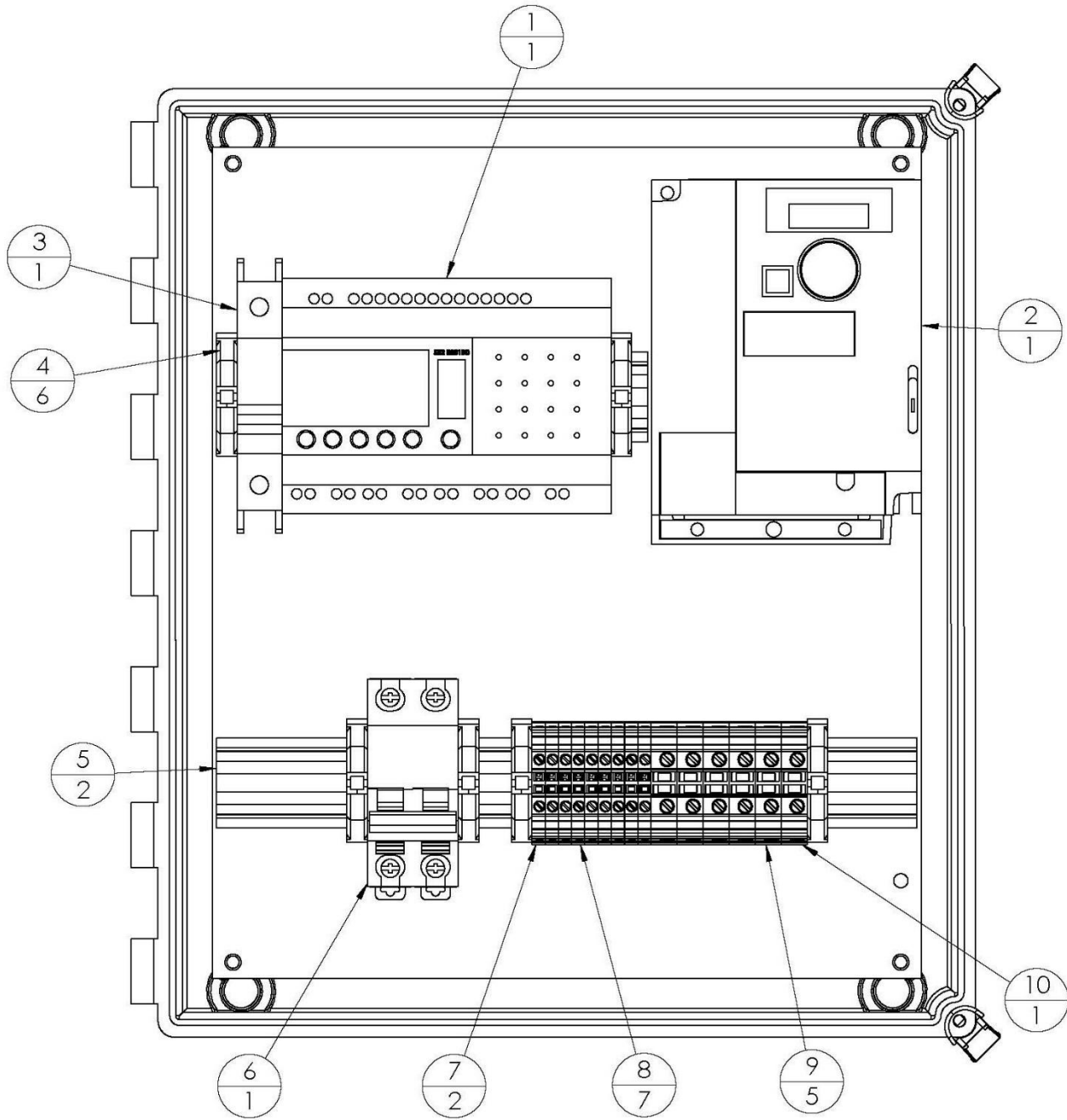
Item#	Part #	Description
1	J487	3H/3450/3PH/56J/TEFC Motor
2	D206	3HP Milk Pump Seal Kit
3	M354	3HP Milk Pump Head/Impeller/Seals

WBW-30-150 Control Box



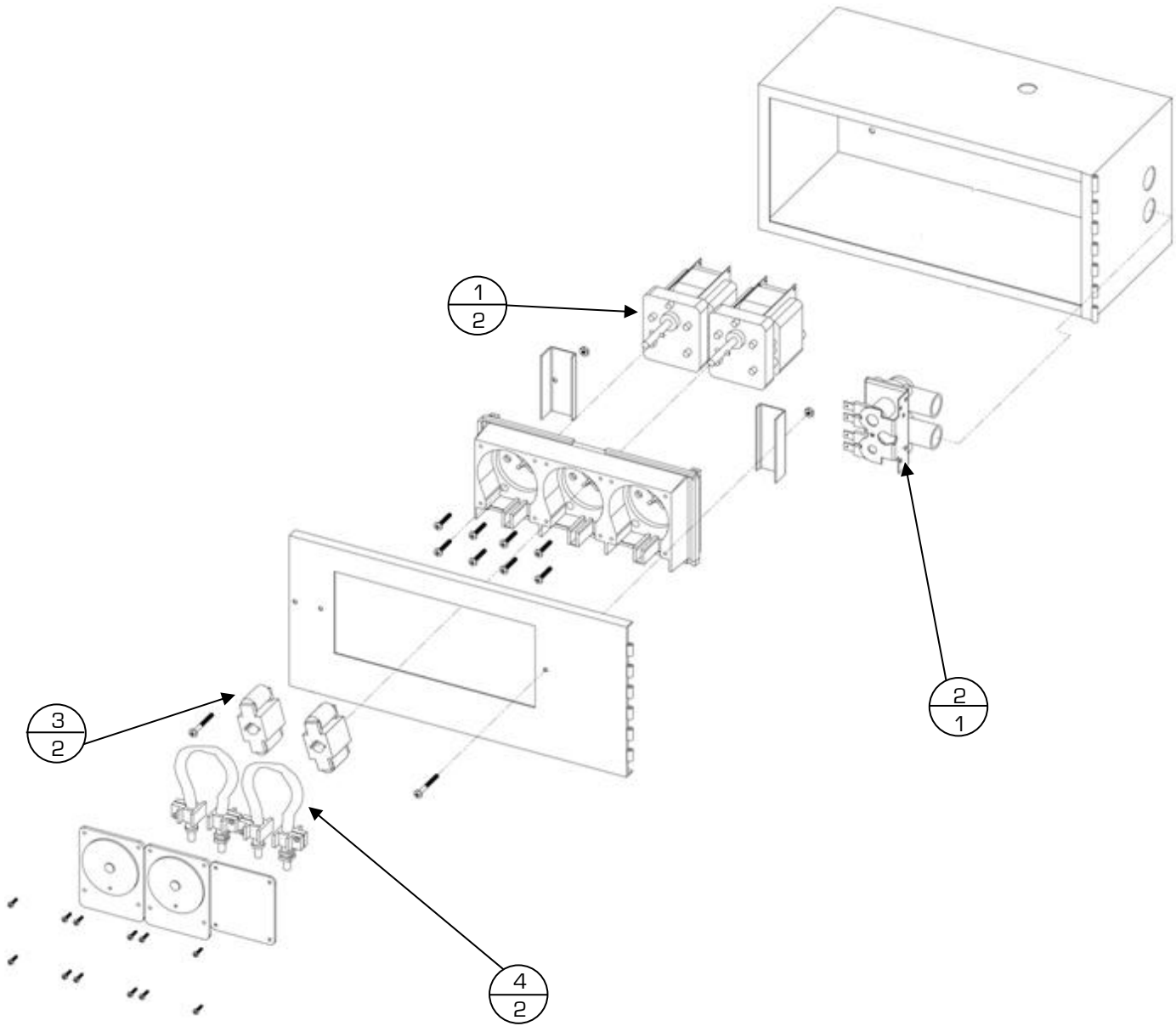
Item #	Part #	Description
1	T134	Schneider Zelio Smart Relay 12in, Bout 129VAC
2	P465	Schneider 1P 6A UL489 240VAC Circuit Breaker
3	N458	Terminal Block End
4	B539	Din Rail - Ft Alum
5	F317	10 MM Screw Terminal Passthrough
6	J749	2.5 MM Screw Terminal Passthrough
7	U687	Schneider Power Relay 250VAC 2 NO
8	S301	10MM Grounding Screw Terminal

WBW-200 Control Box



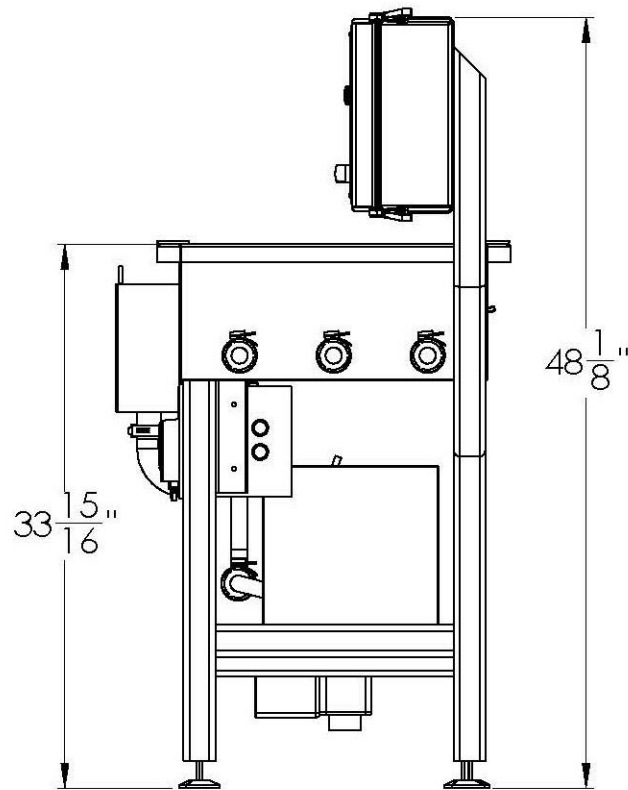
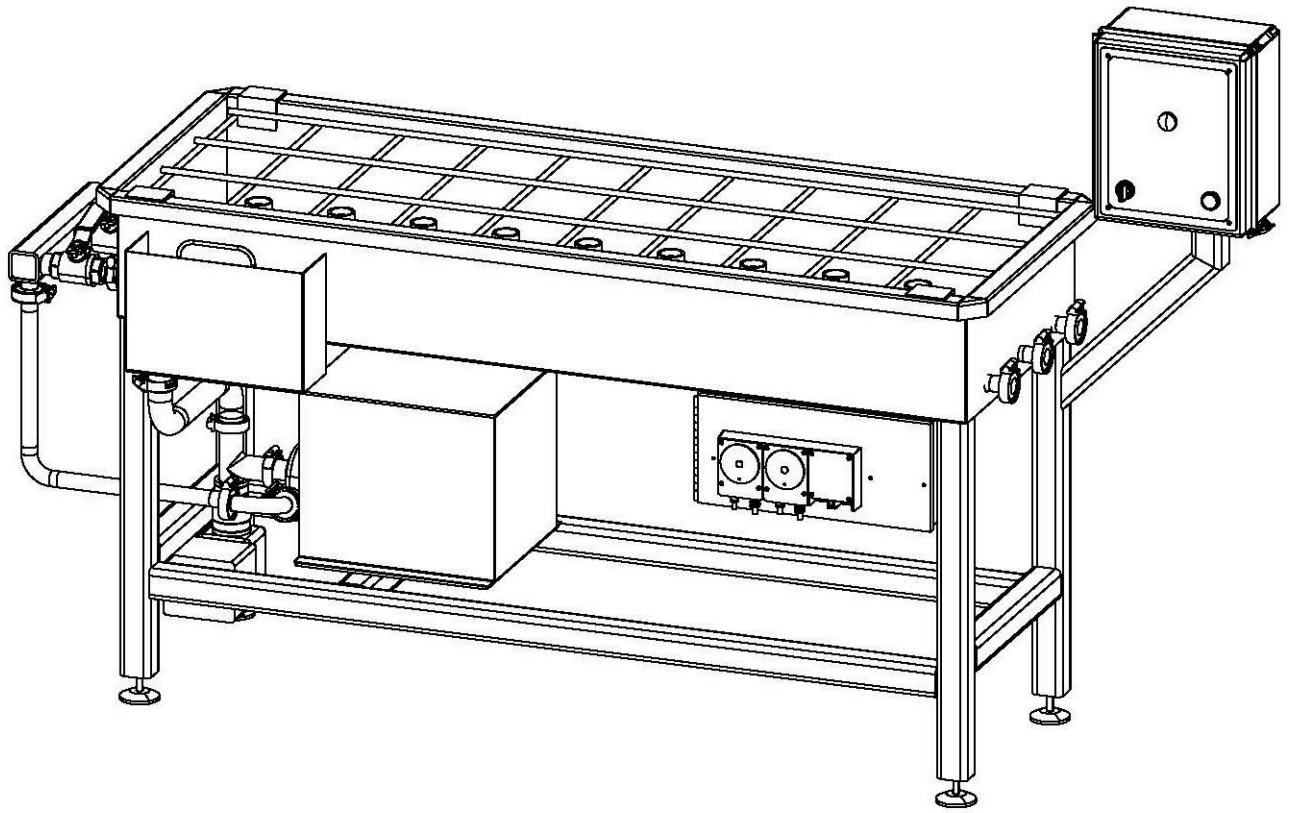
Item #	Part #	Description
1	T134	Schneider Zelio Smart Relay 12in, 8Out 129VAC
2	K407	Schneider ATv320 2HP 240V 1PH VFD
3	P465	Schneider 1P 6A UL489 240VAC Circuit Breaker
4	N458	Terminal End Block
5	B539	Din Rail - Ft Alum
6	X395	5A 2 Pole 240VAC Circuit Breaker
7	V791	2.5MM Grounding Screw Terminal
8	J749	2.5MM Screw Terminal Passthrough
9	F317	10MM Screw Terminal Passthrough
10	S301	10MM Grounding Screw Terminal

WBW - CIP (Chemical) Box

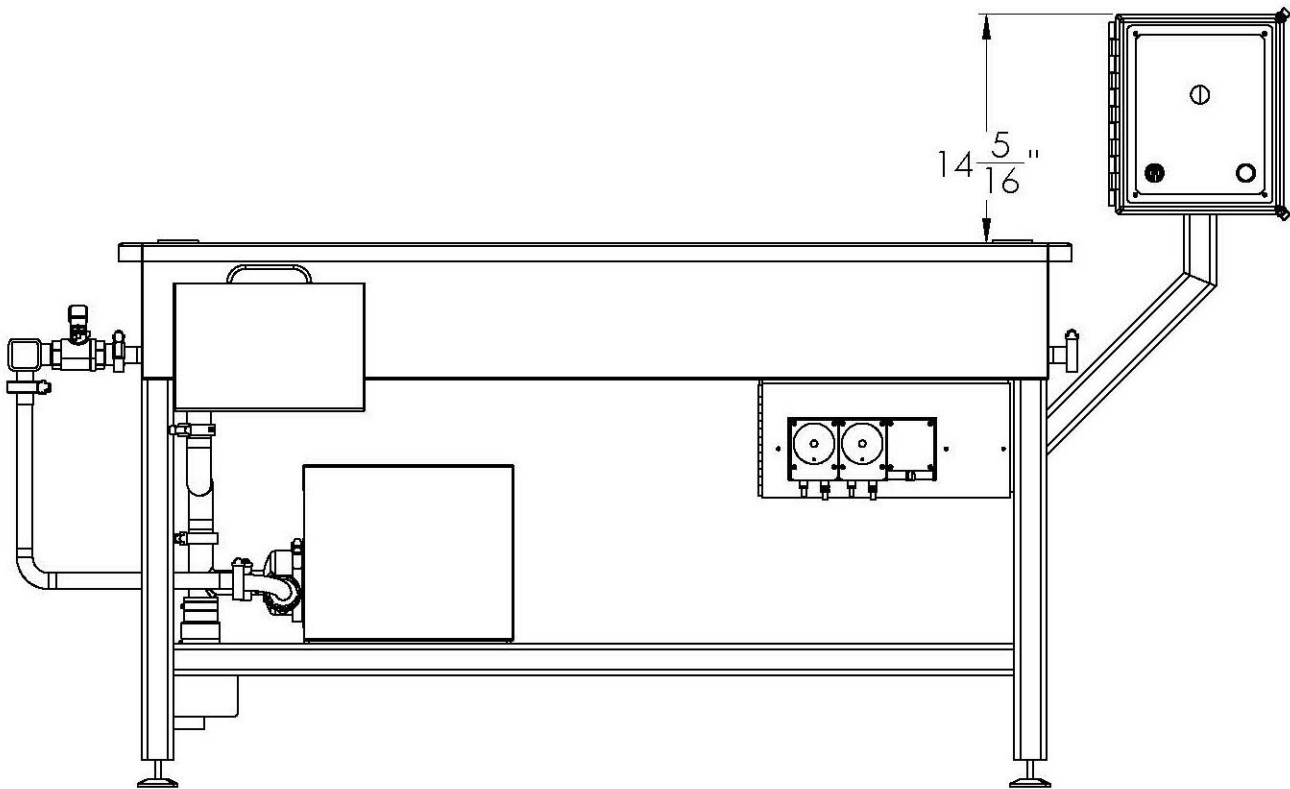
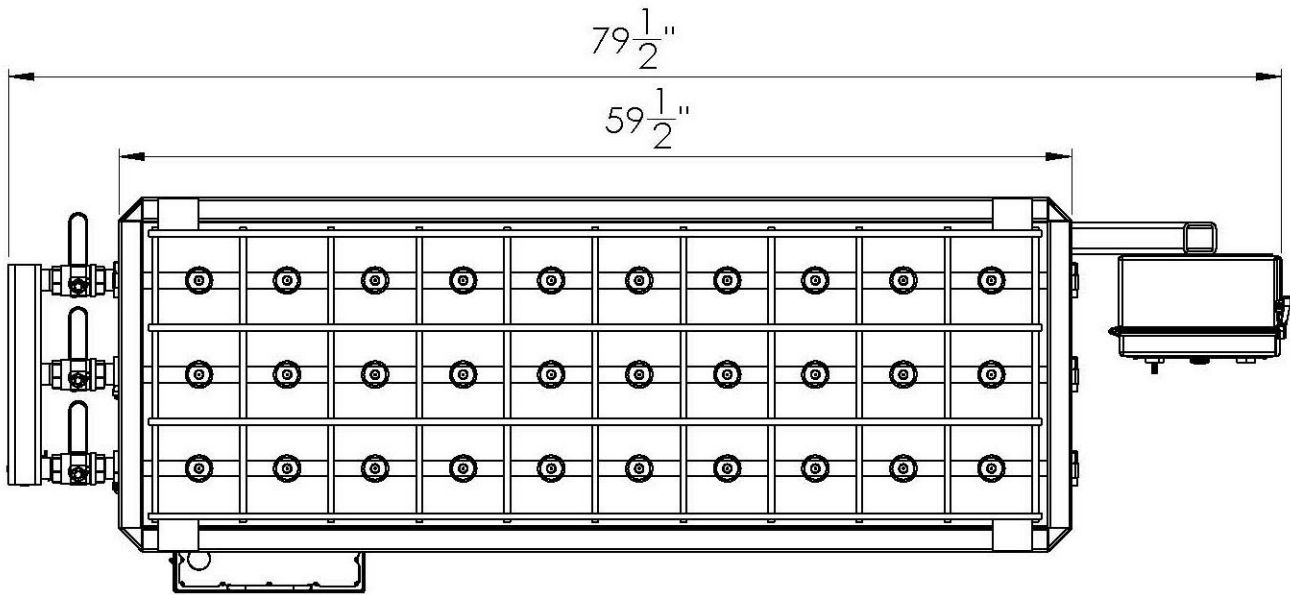


Item #	Part #	Description	# Quantity
1	J652	Hi Speed Motor 120v	
2	G873	120V VAC Dual Water Solenoid Valve	
3	P366	Roller Assembly	
4	M263	Bender Squeeze Tube Assy	

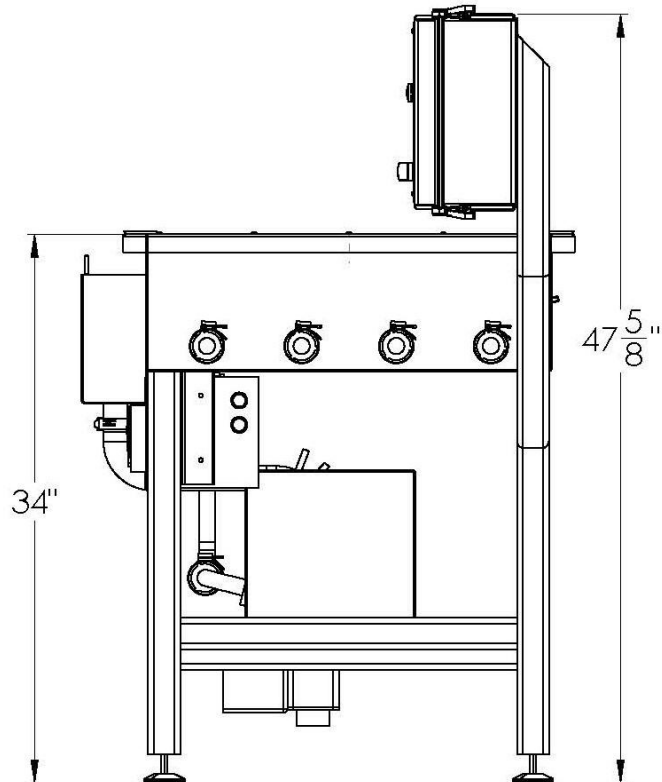
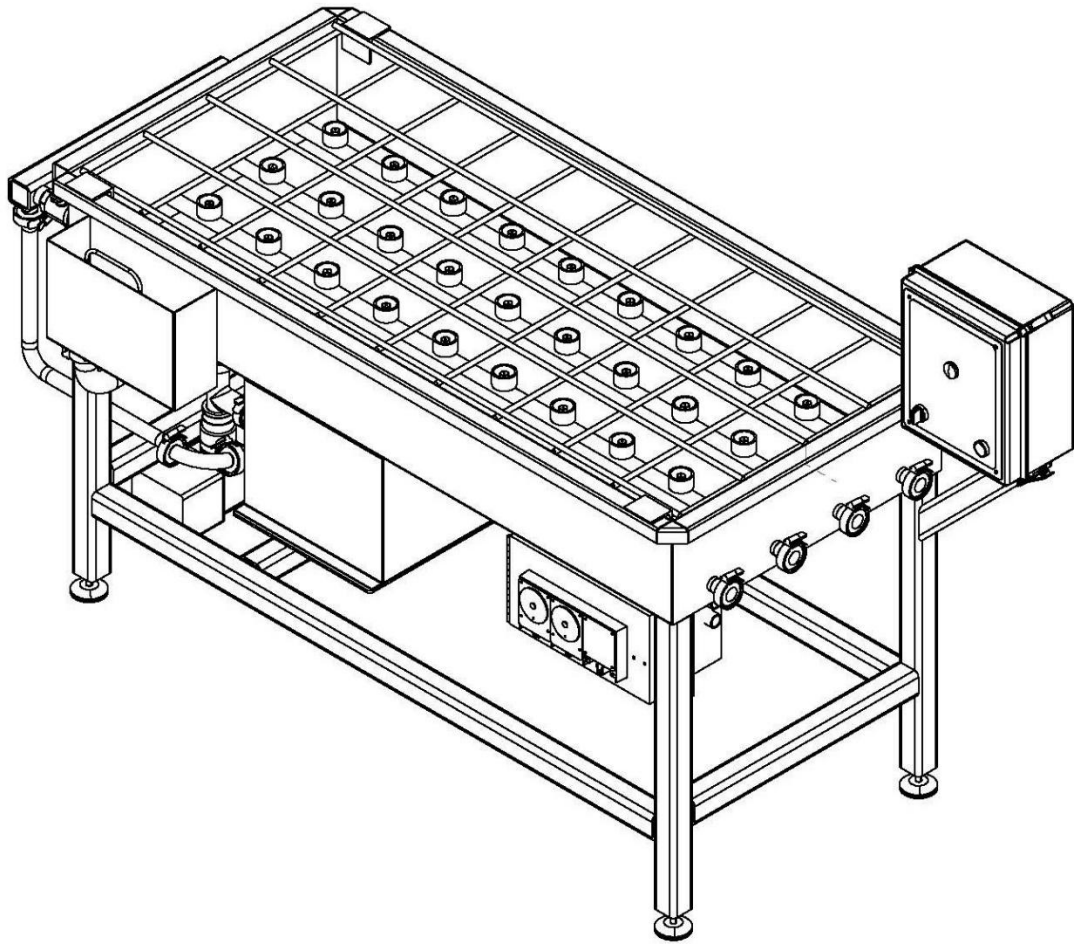
WBW-30 – Overall Dimensions



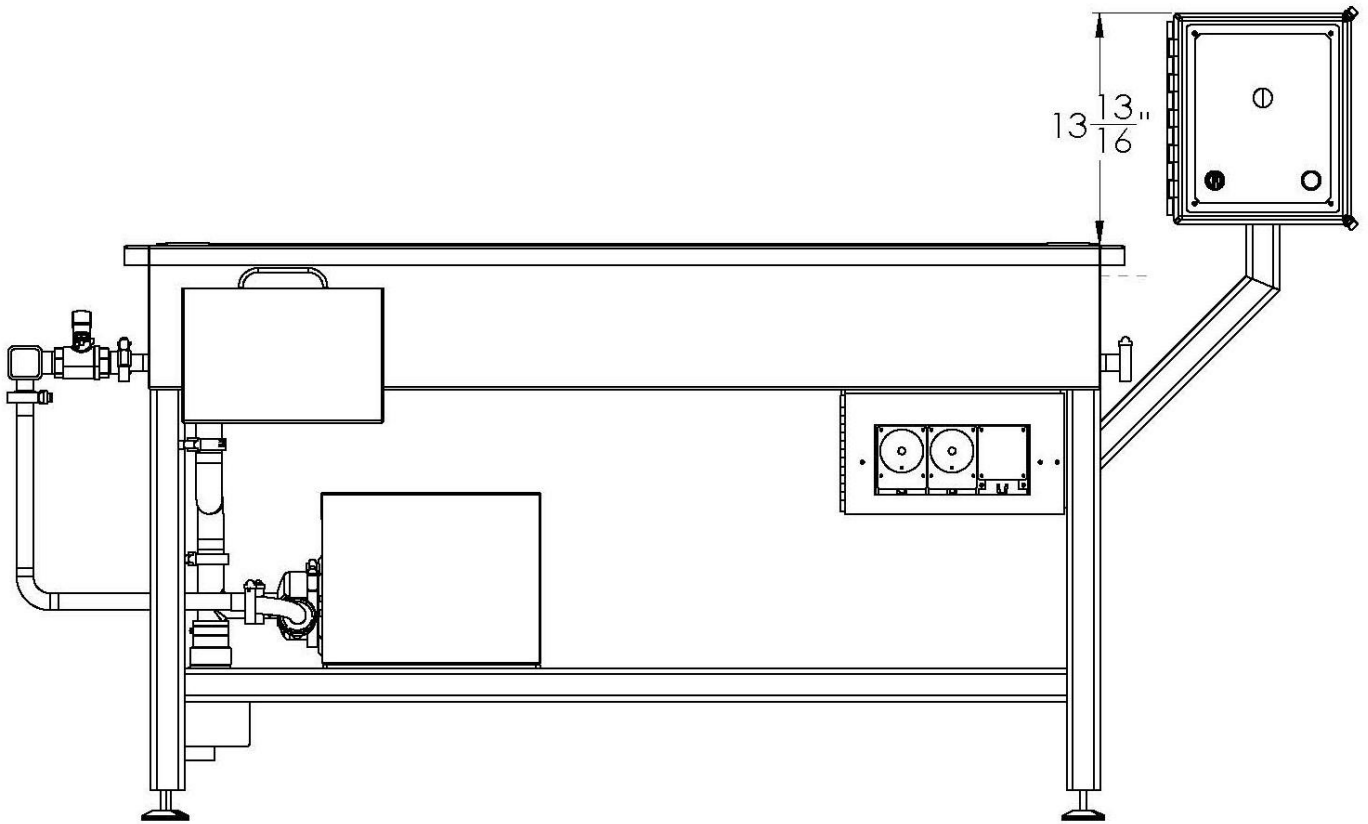
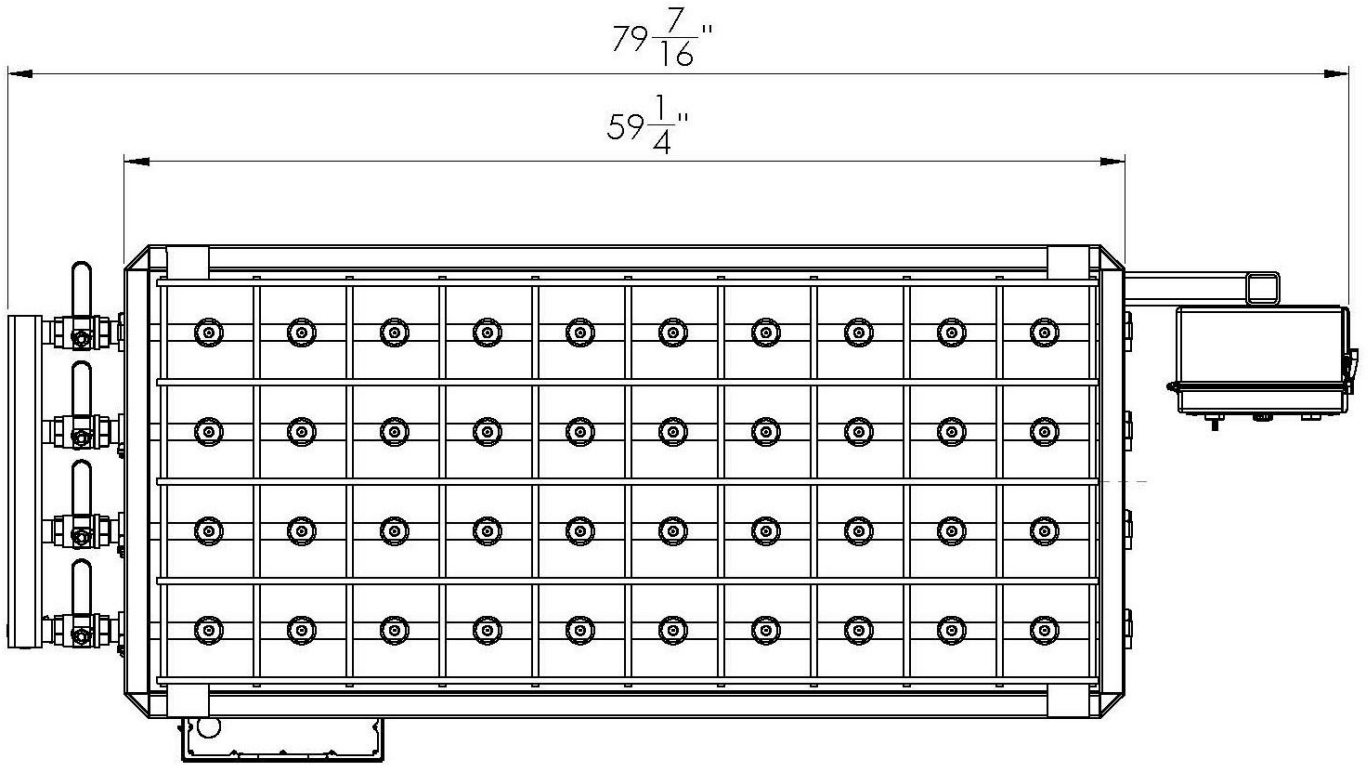
WBW-30 – Overall Dimensions



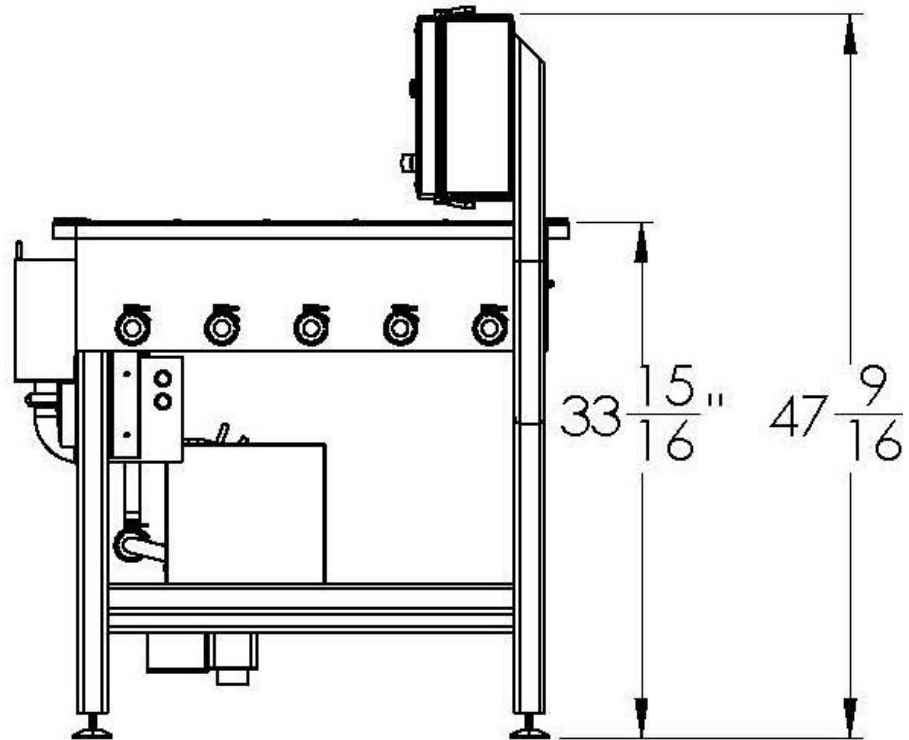
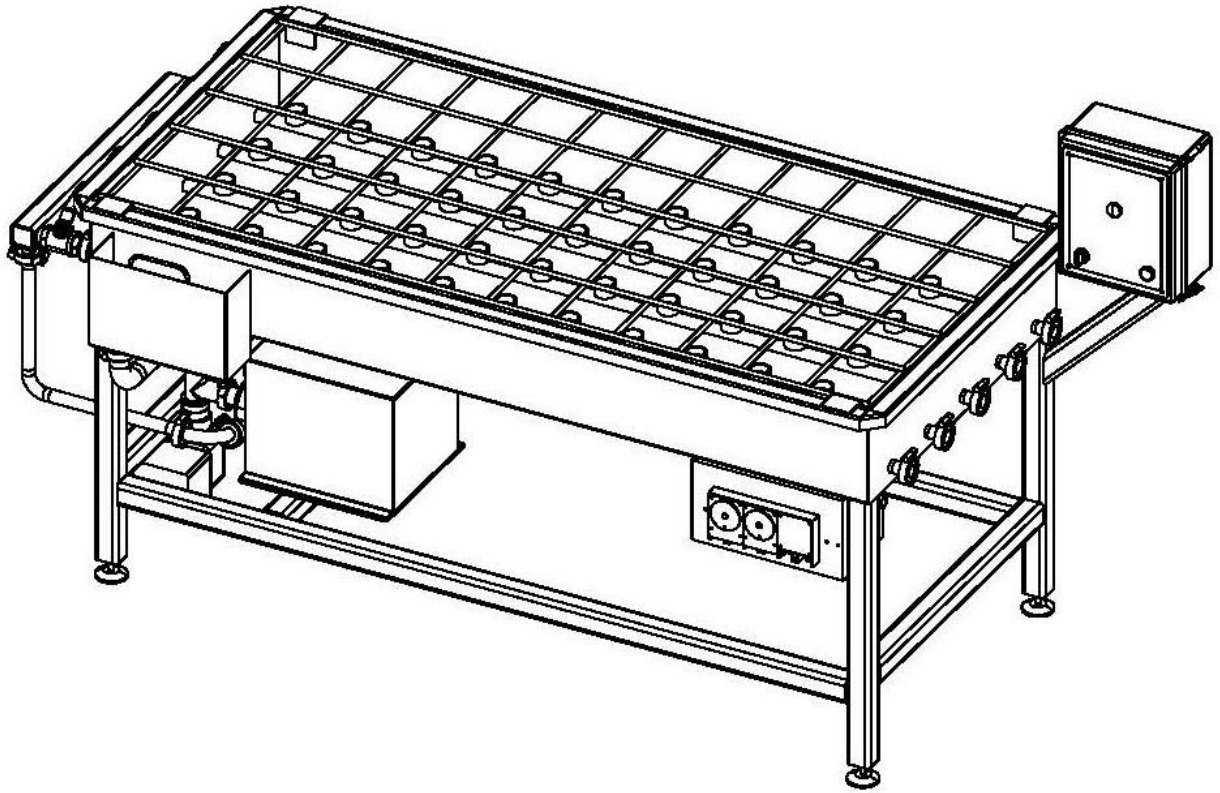
WBW-40 – Overall Dimensions



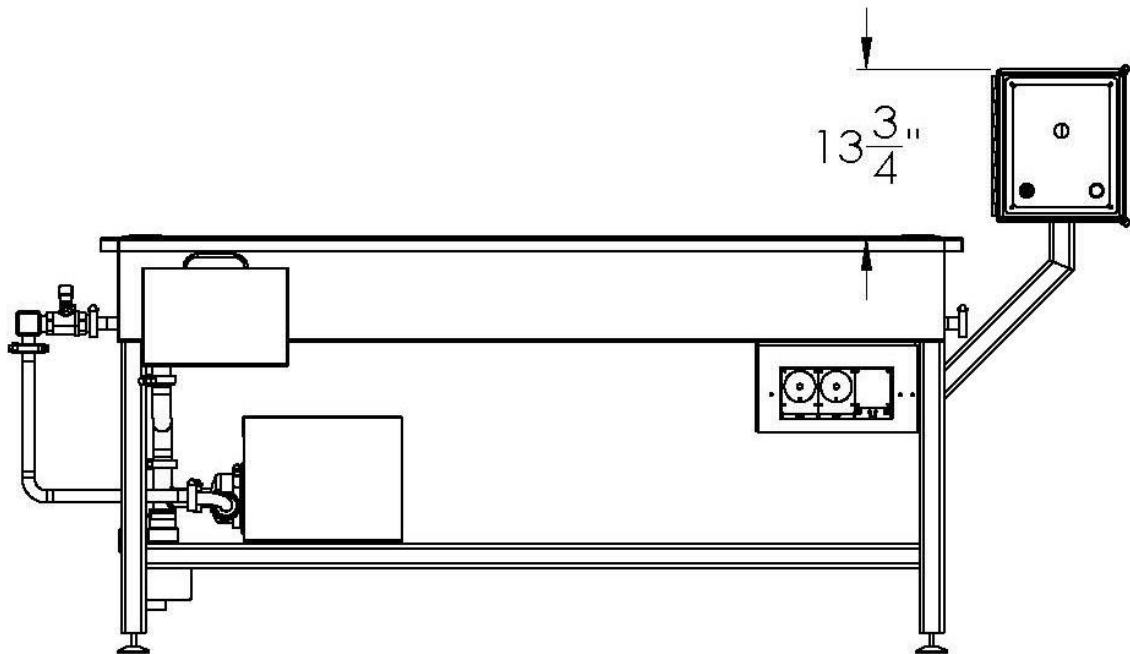
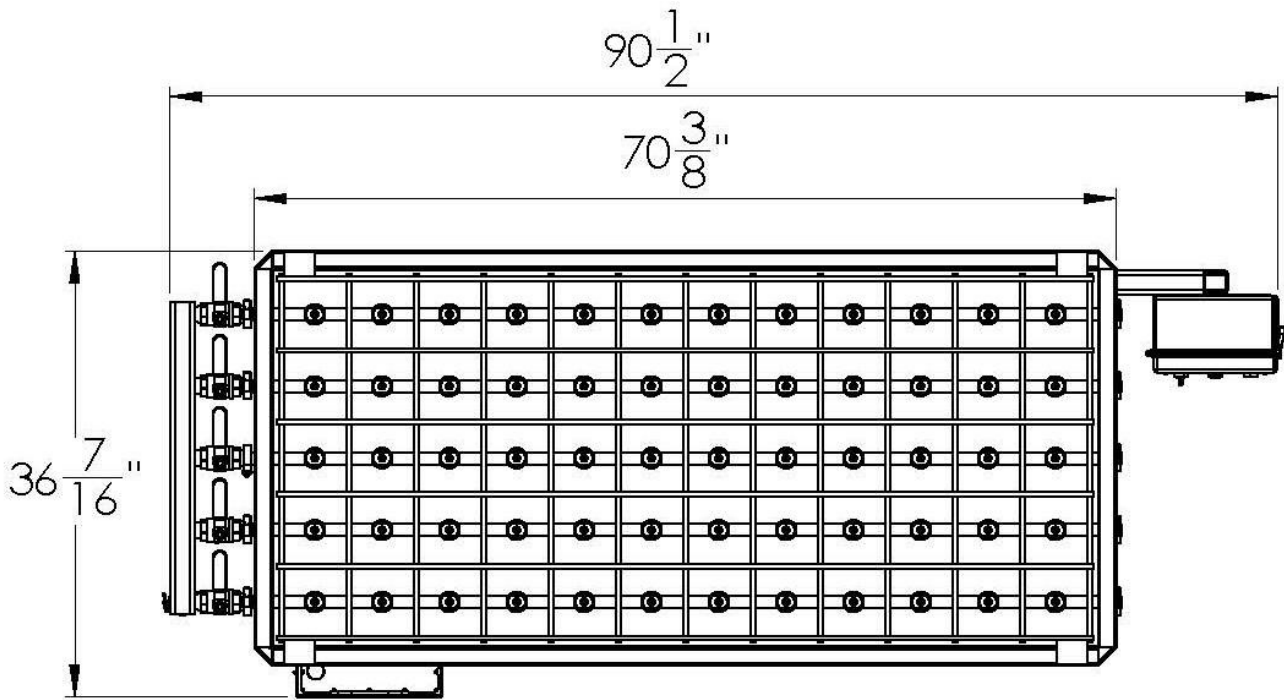
WBW-40 – Overall Dimensions



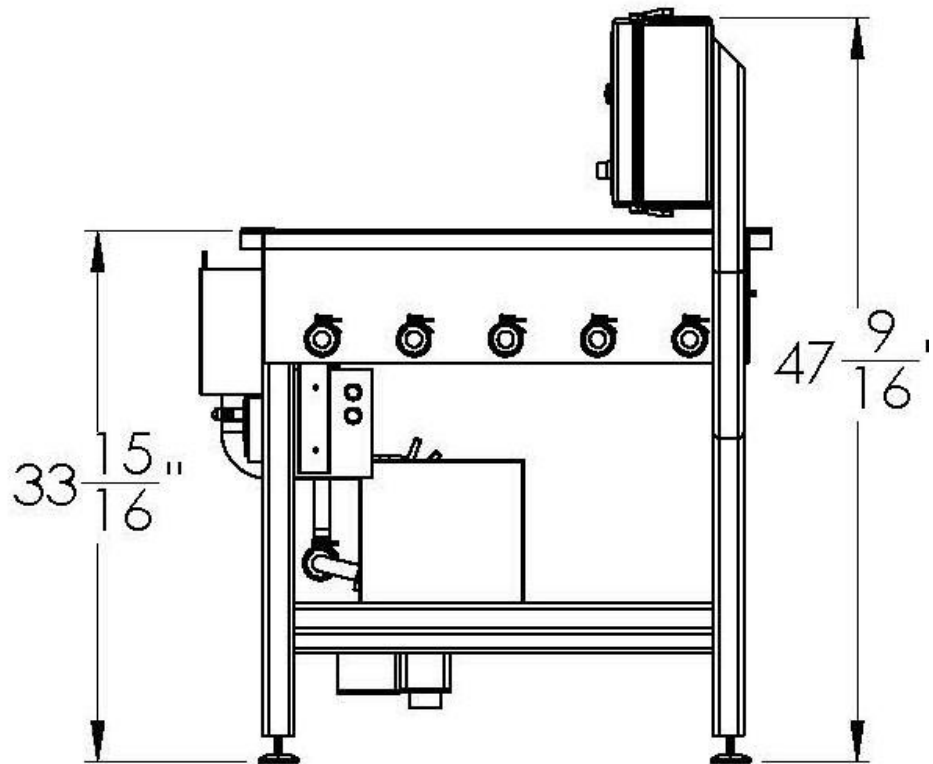
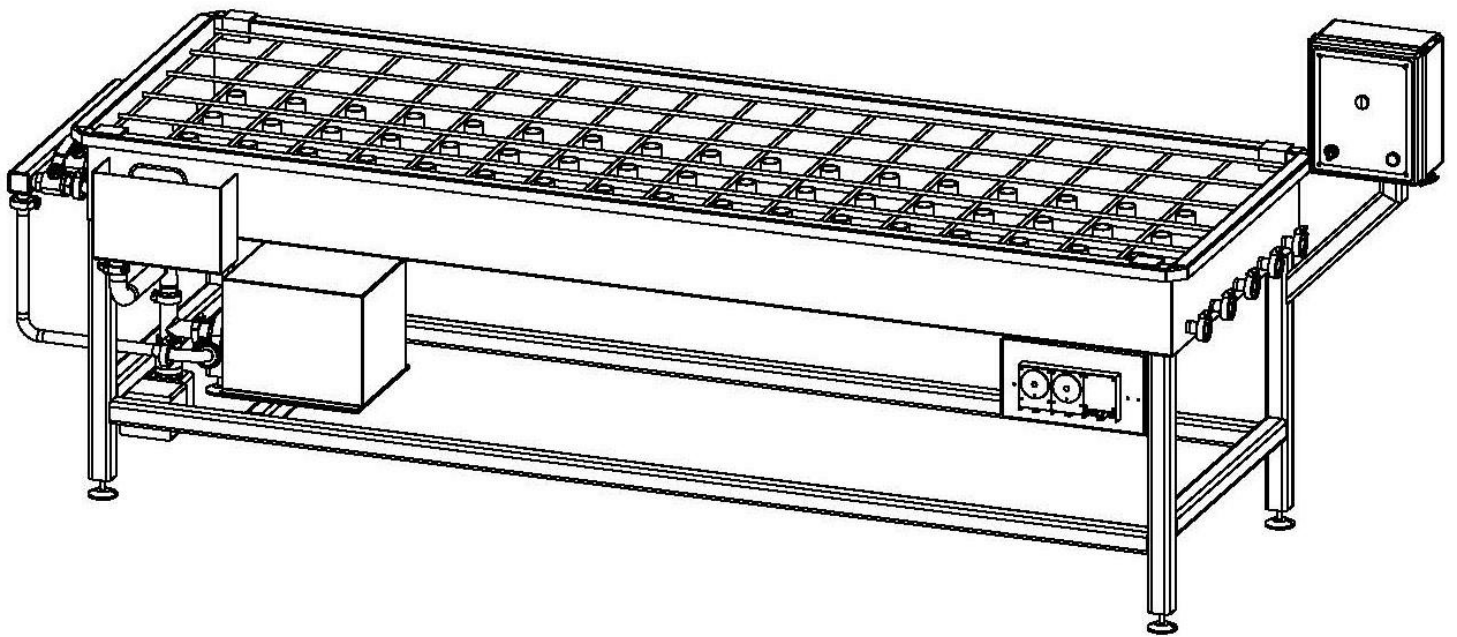
WBW-60 – Overall Dimensions



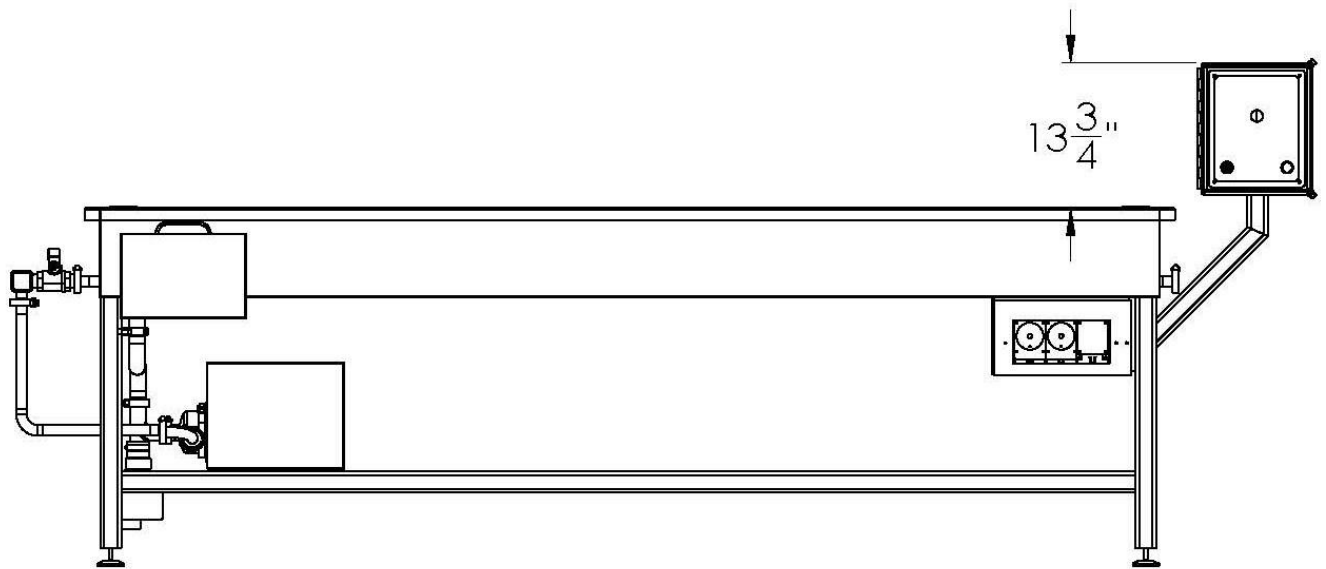
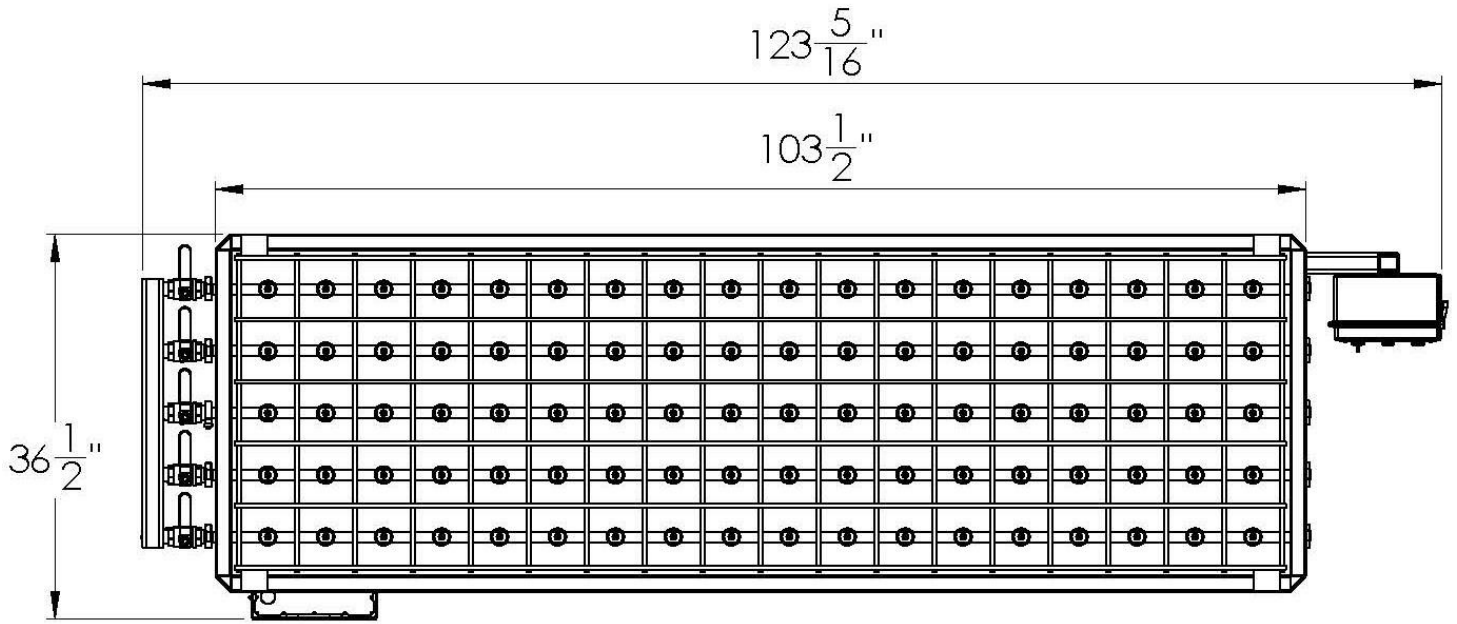
WBW-60 – Overall Dimensions



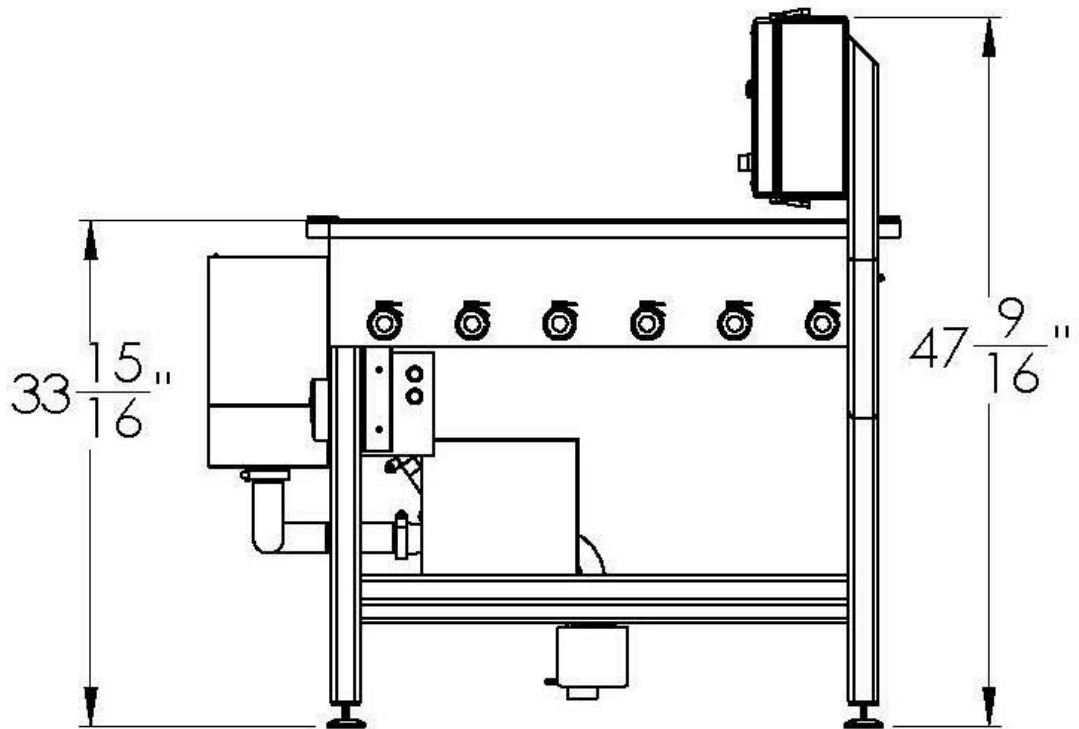
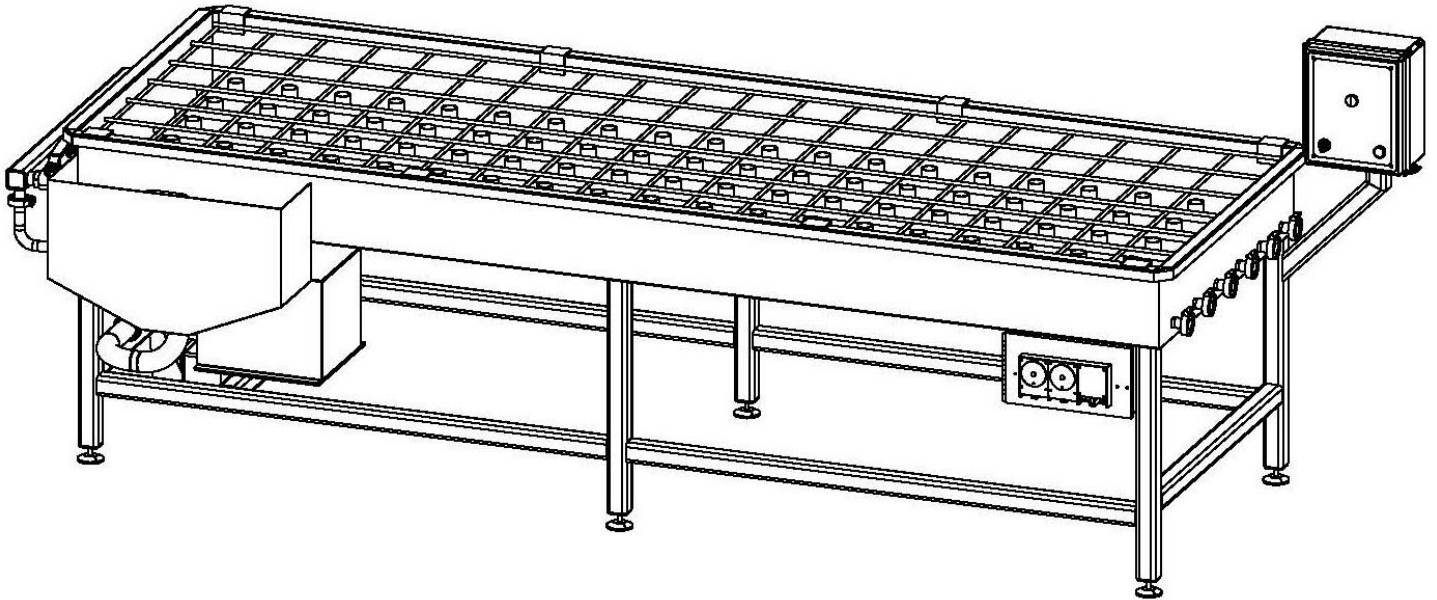
WBW-90 – Overall Dimensions



WBW-90 – Overall Dimensions



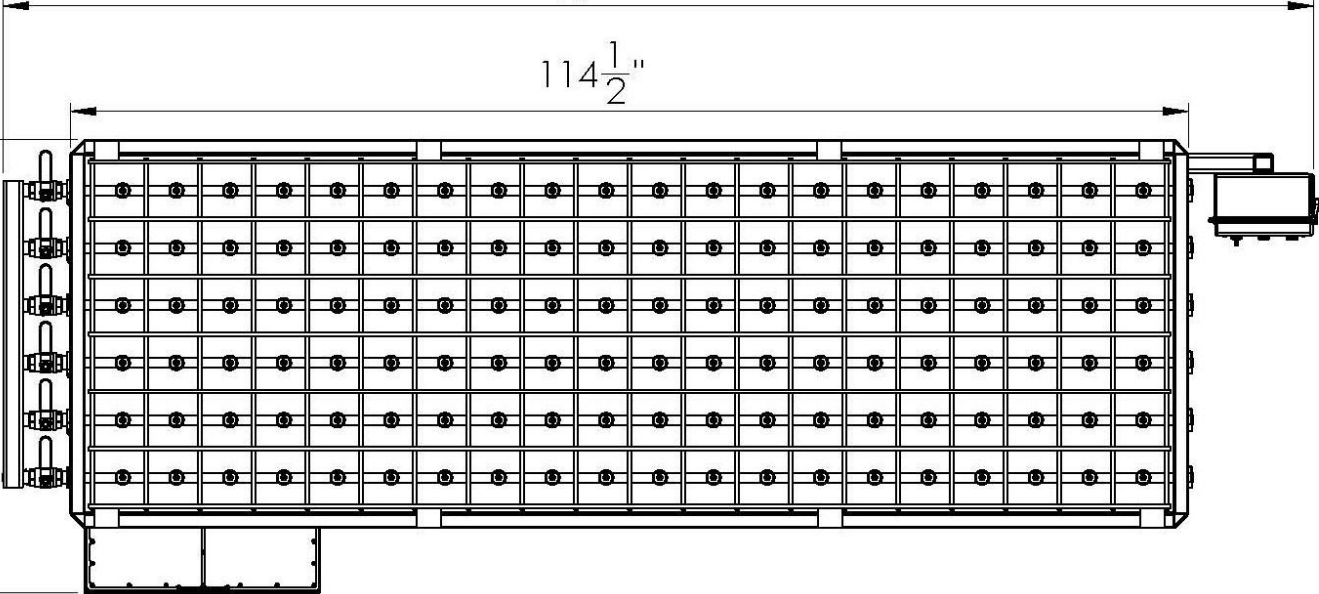
WBW-120 – Overall Dimensions



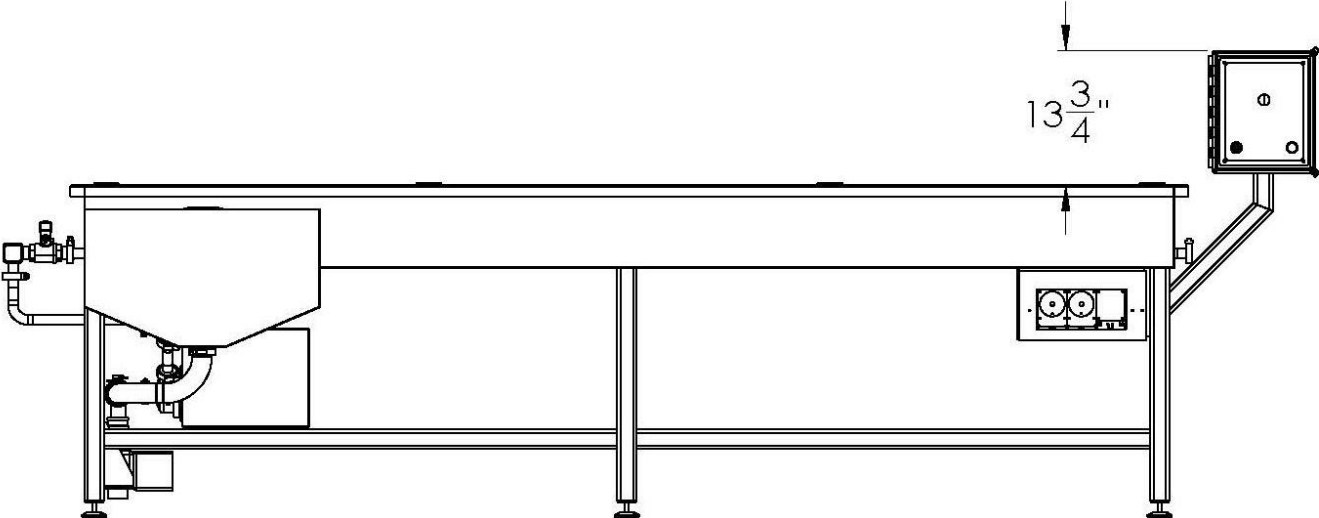
WBW-120-Overall Dimensions

$134\frac{3}{16}$ "

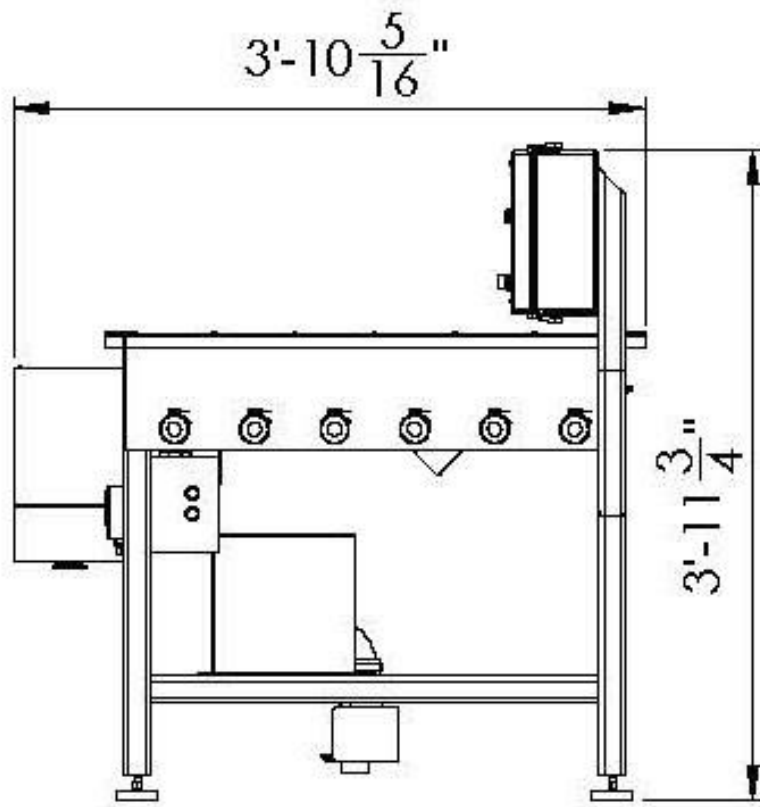
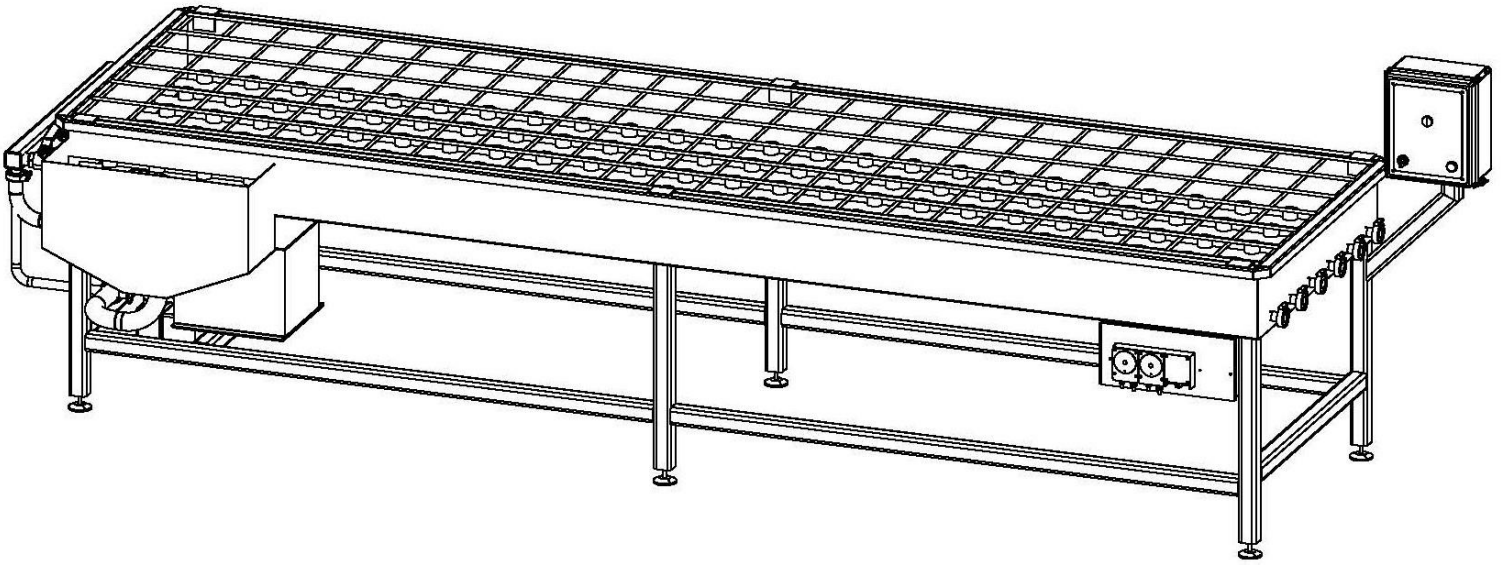
$114\frac{1}{2}$ "



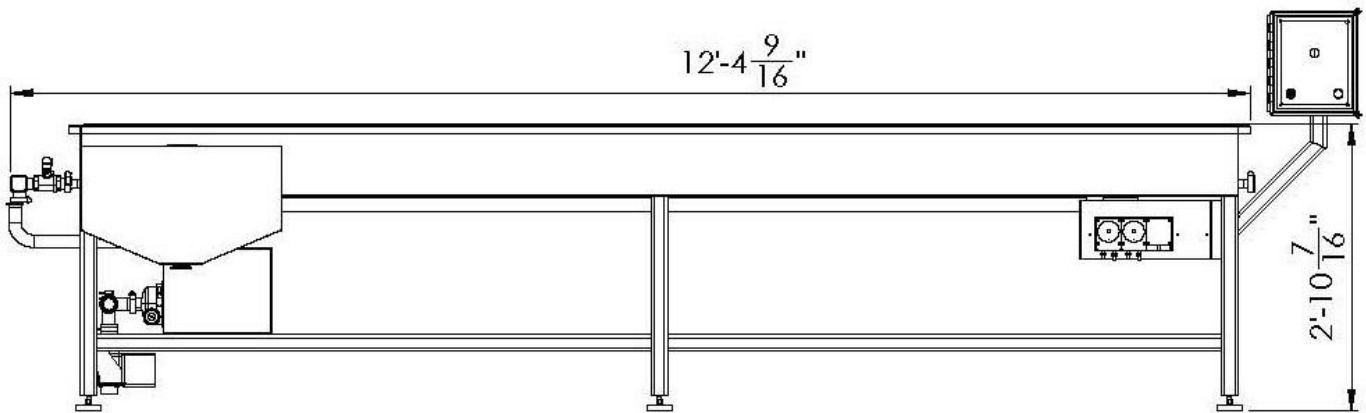
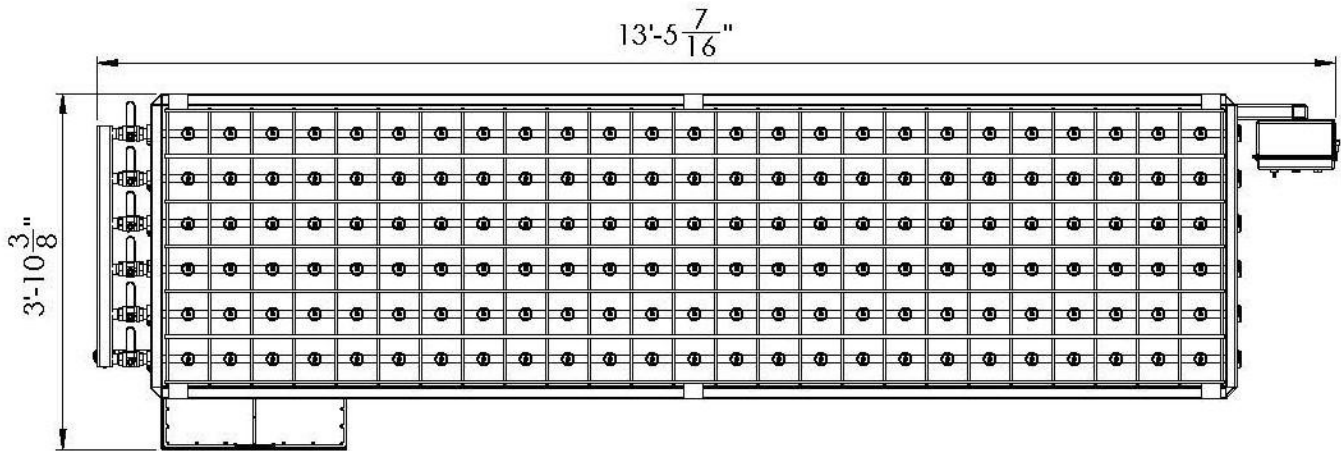
$13\frac{3}{4}$ "



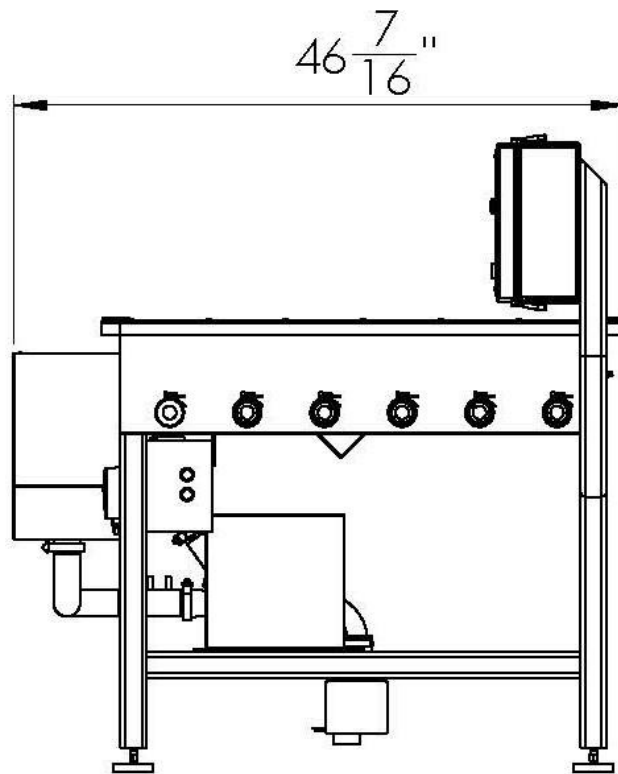
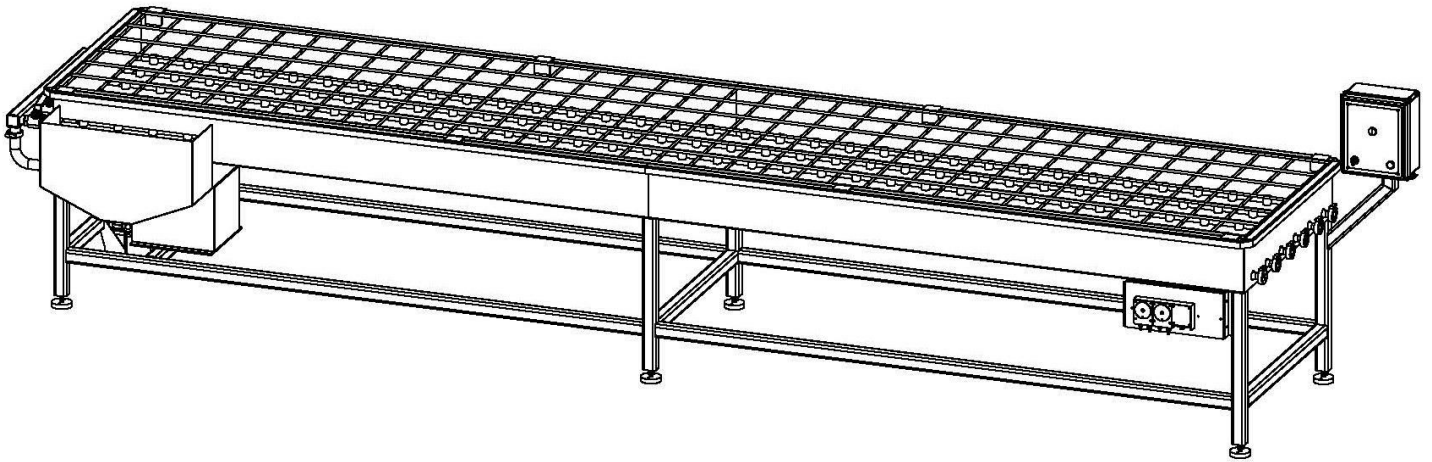
WBW-150 – Overall Dimensions



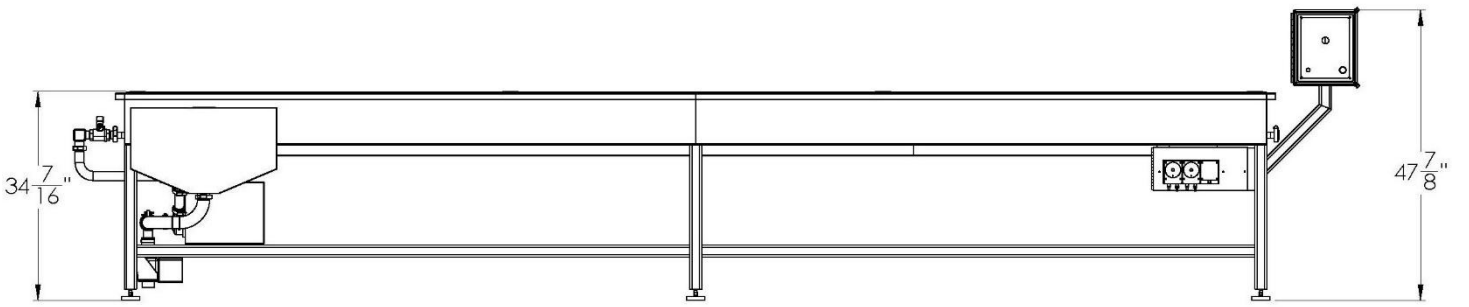
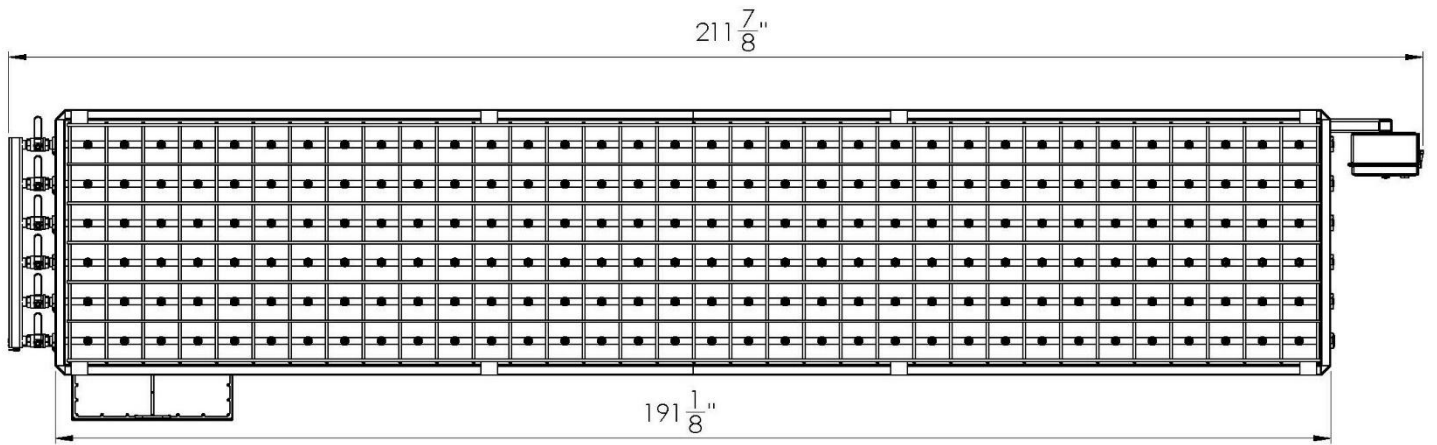
WBW-150 – Overall Dimensions



WBW-200 - Overall Dimensions



WBW-200 - Overall Dimensions



For Technical Support, to order Replacement Parts, or for questions about other products, please
contact your local dealer.



WESTWAARD

FABRICATORS for DARITECH

WestWaard Bottle Washers Part Manual | Rev.2