

Bottle Washer



Model:

**Stand Alone Bottle Washers
with Nipple Basin**

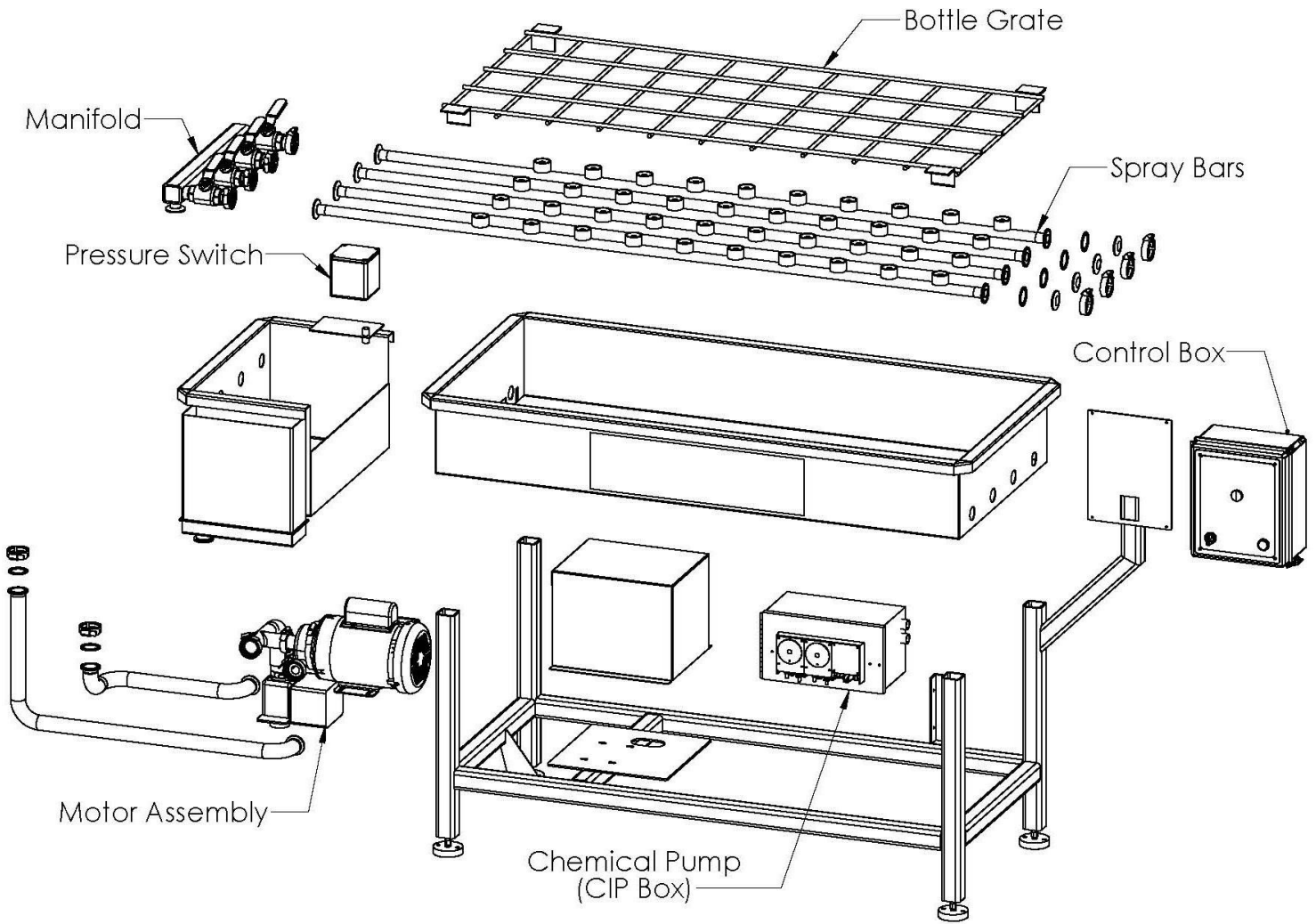
WBW-30, WBW-40, WBW-60,
WBW-90, WBW-120

WESTWAARD
FABRICATORS for DARITECH

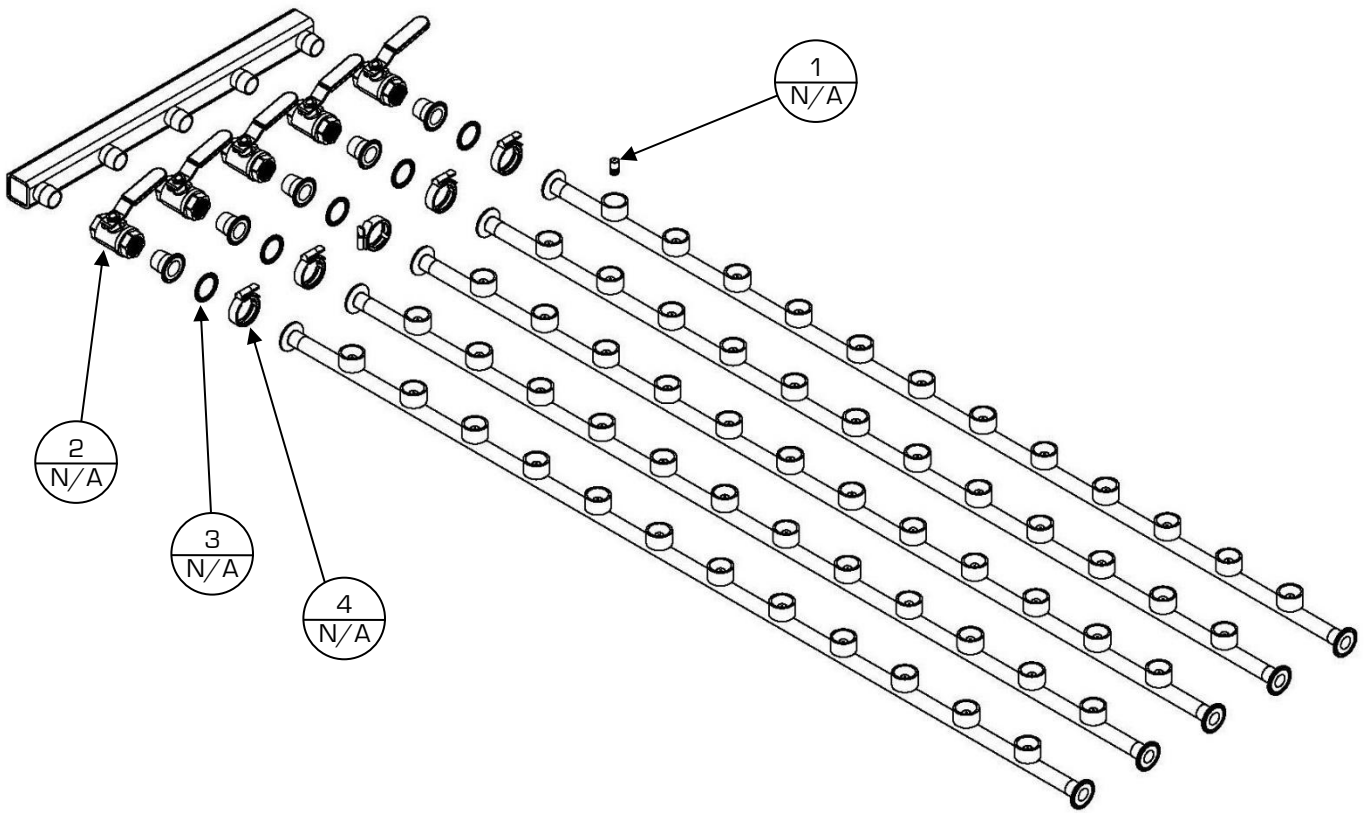
WBW – Components

Revision #	Description of Revision	Date
Rev. 1.1	Table addition	–
Rev. 1.2	Dual Water Sol Valve	10/7/25

WBW – Components



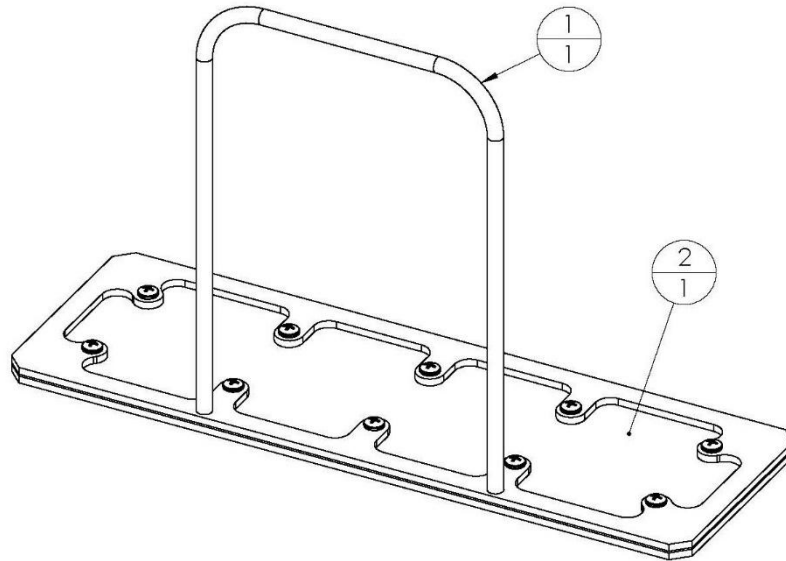
WBW – Components



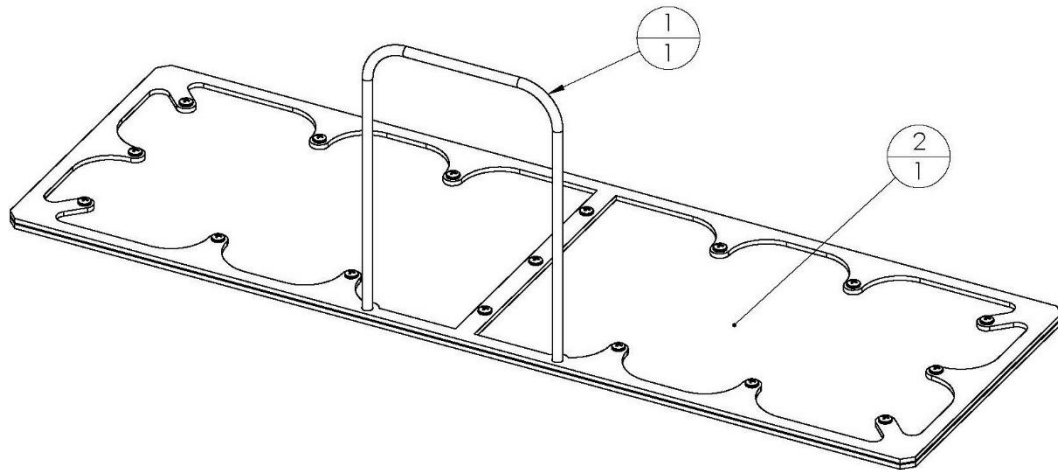
Quantity

Item #	Part #	Description
1	L678	Bottle Washer ¼" Spray Nozzle
2	Q895	1" SS THR Ball Valve
3	D294	1 ½" Tri-clamp Rubber Gasket
4	A802	1 ½" SS V Insert Clamp

WBW – Filter ASM

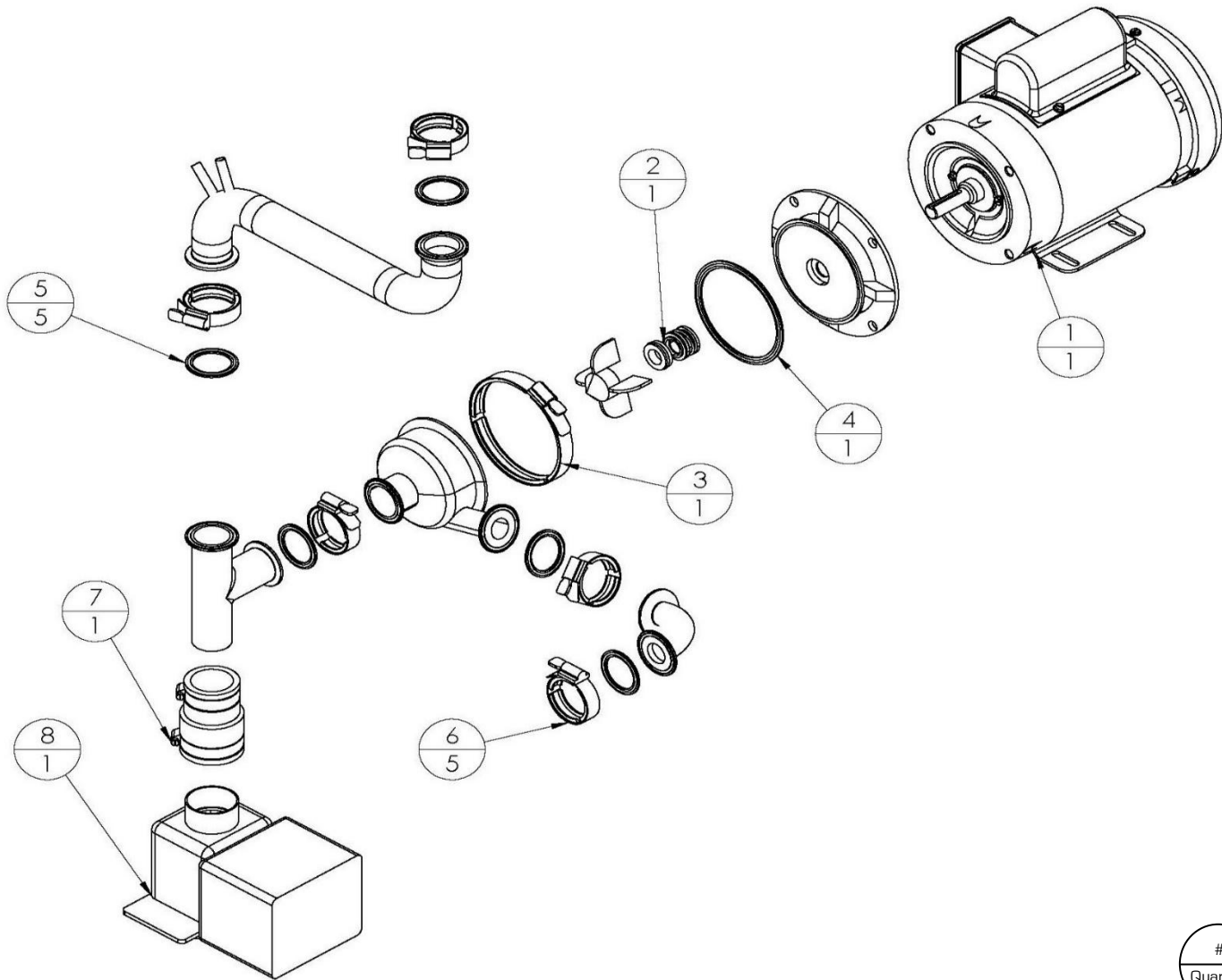


Item #	Part #	Description
1	Z670	Drop-in Filter Assembly Complete 30BW-90BW
2	C657	Replacement Screen Mesh 30BW-90BW



Item #	Part #	Description
1	U205	Drop-in filter Assembly Complete 120BW
2	C616	Replacement Screen Mesh 120BW

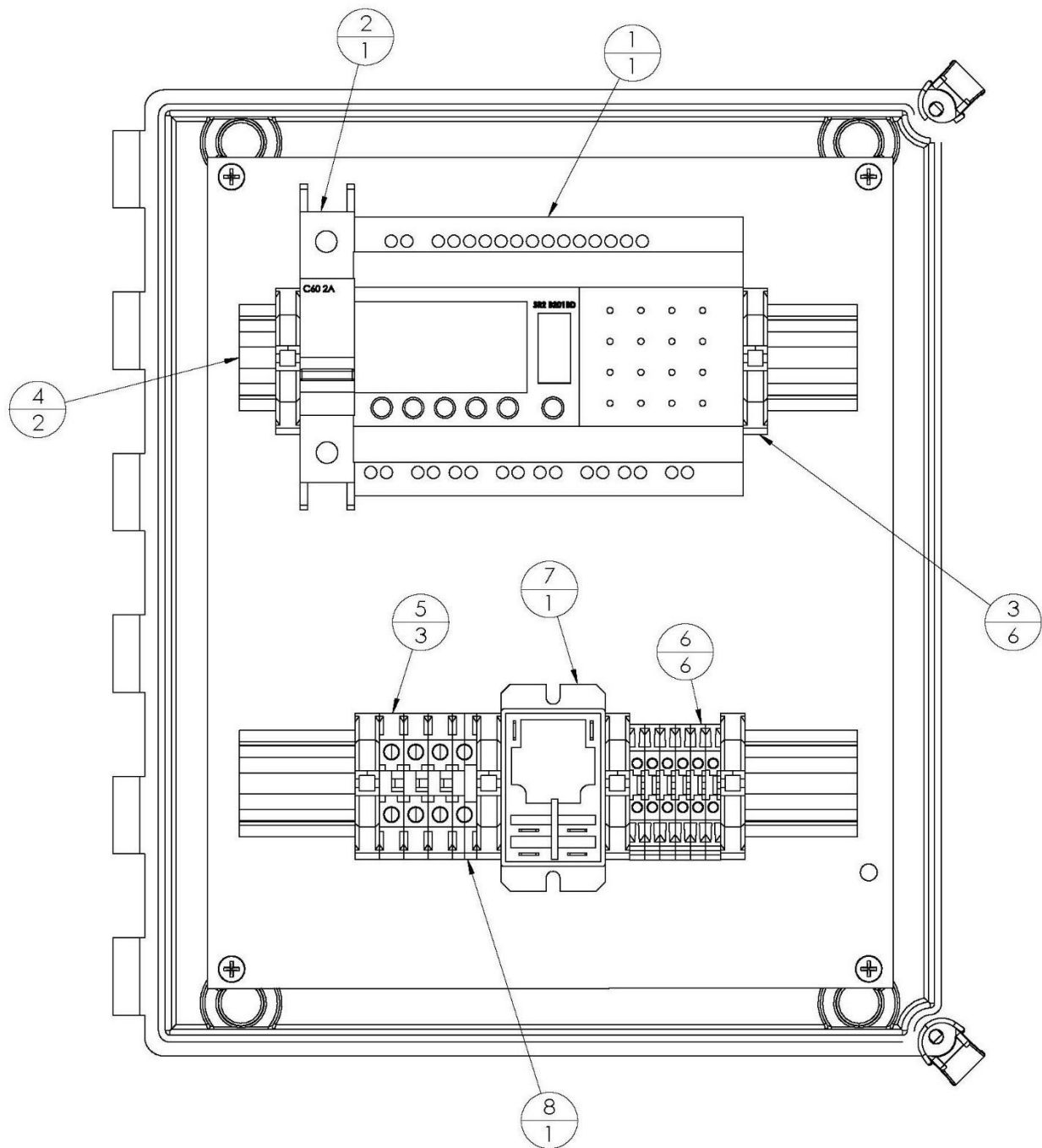
WBW – Control Box
WBW Motor Assembly with Dependo Drain



Quantity

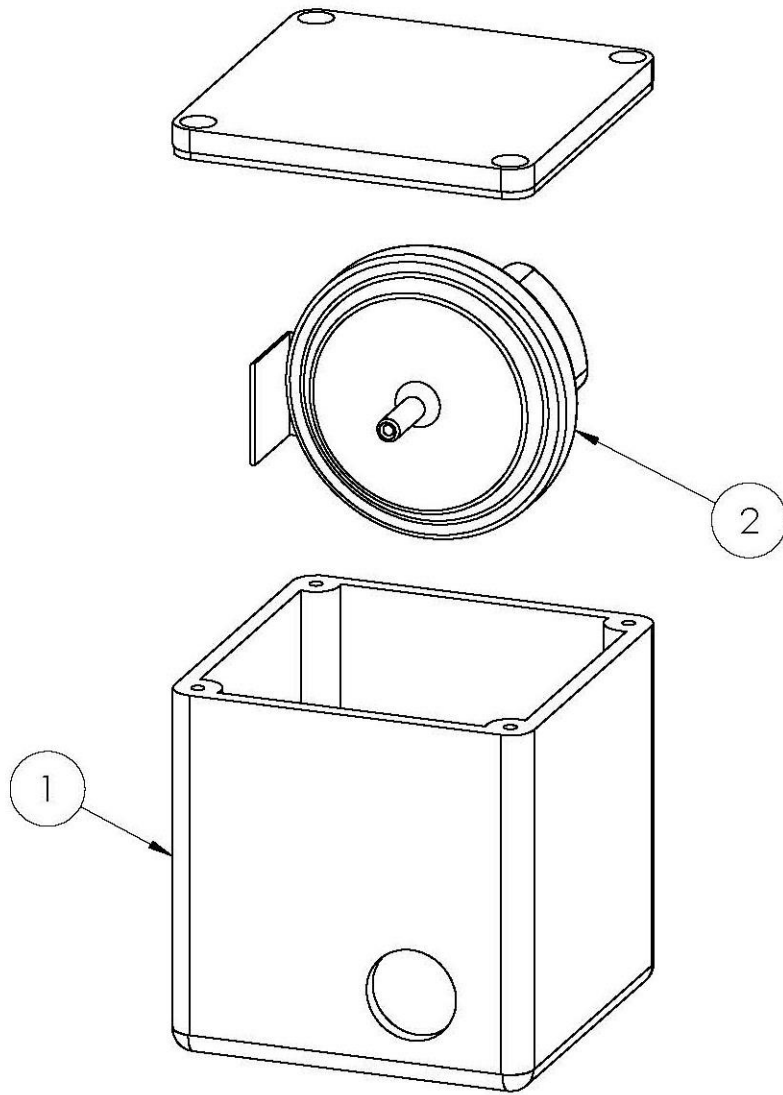
Item #	Part #	Description
1	B575	1.5 HP, 3450 RPM <i>[For Models: WBW-30, WBW-40, WBW-60]</i>
	V129	2 HP 3450 RPM <i>[For Models: WBW-90, WBW-120]</i>
2	U600	STA-Rite Seal PKG.
3	G844	4" SS V Insert Clamp
4	X459	4" Triclover Rubber Gasket
5	D294	1 1/2" Tri-clamp Rubber Gasket
6	A802	1 1/2" SS V Insert Clamp
7	B150	Fernco 1-1/2" x 1-1/4" Reducer / Coupler
8	P582	Dependo Electric Drain Valve

WBW – Control Box



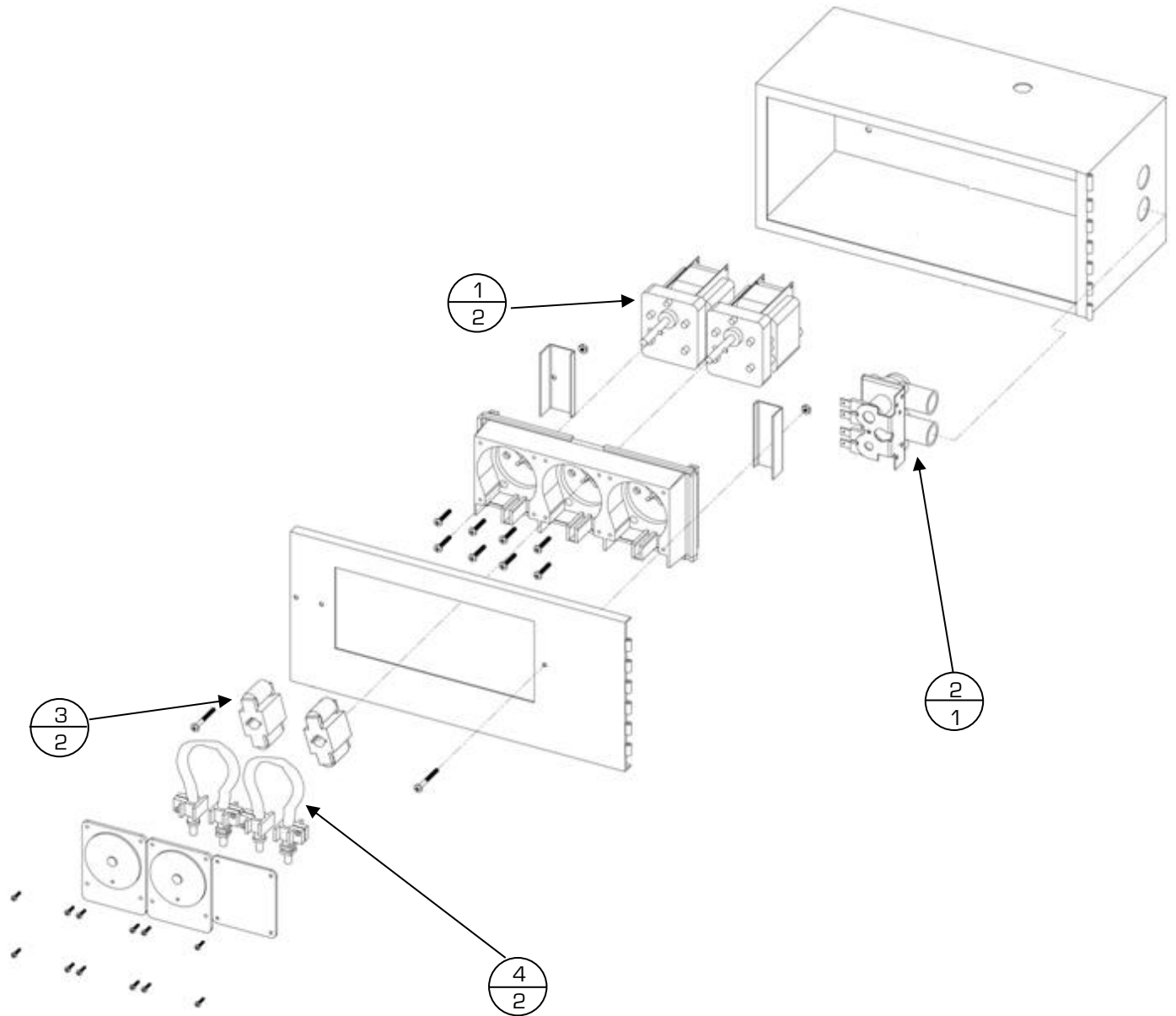
Item#	Part #	Description
1	T134	Schneider Zelio Smart Relay 12in, Bout 129VAC
2	P465	Schneider 1P 6A UL489 240VAC Circuit Breaker
3	N458	Terminal Block End
4	B539	Din Rail - Ft Alum
5	F317	10 MM Screw Terminal Passthrough
6	J749	2.5 MM Screw Terminal Passthrough
7	U687	Schneider Power Relay 250VAC 2 NO
8	S301	10 MM Grounding Screw Terminal

WBW - Pressure Switch



Item#	Part#	Description
1	G669	4" X4" X 4" PVC Junction Box
2	O682	Pressure Switch

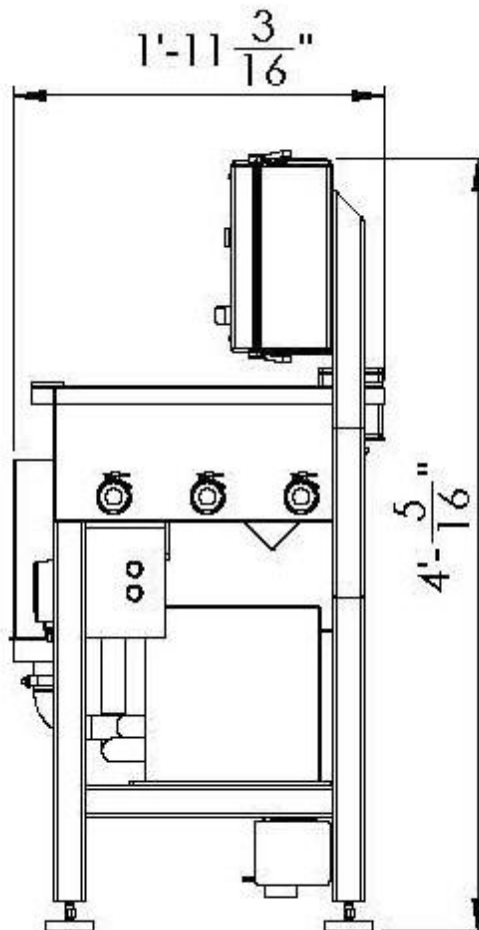
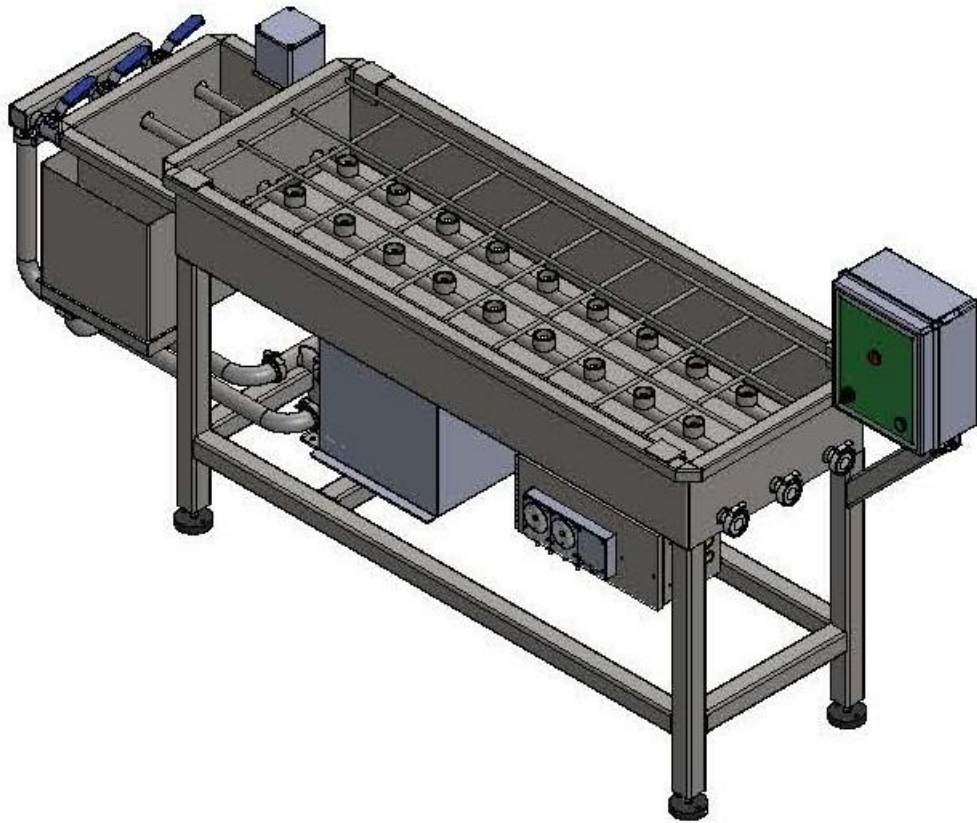
WBW – Peristaltic Pump ASM



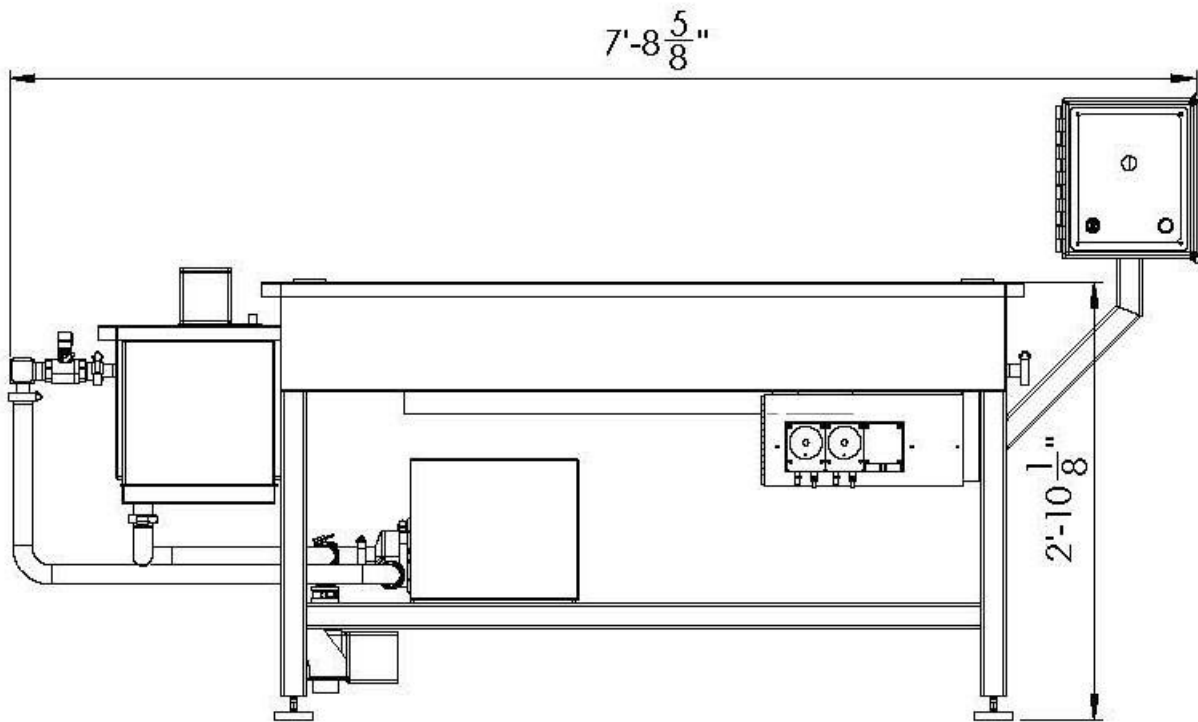
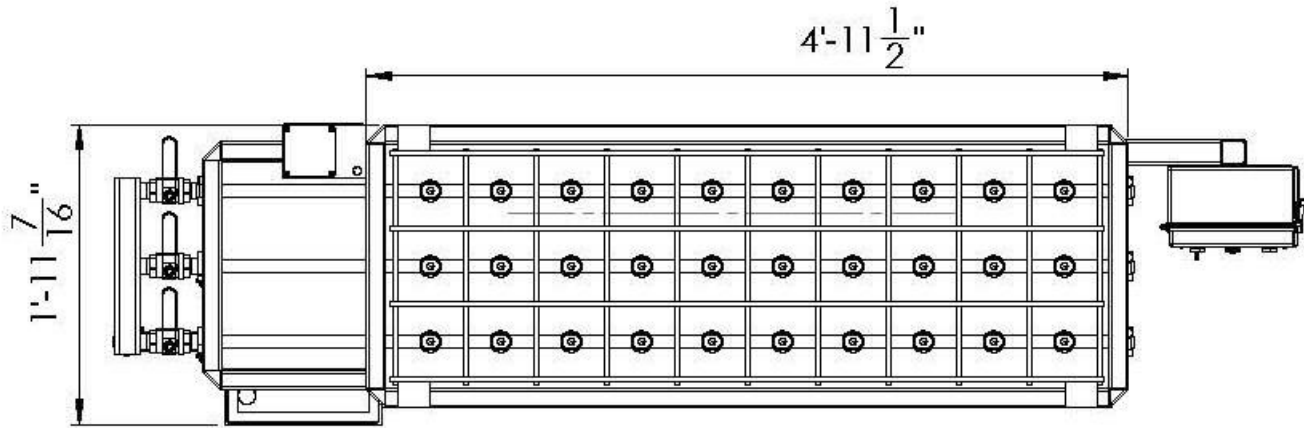
Quantity

Item #	Part #	Description
1	J652	Hi Speed Motor 120v
2	G873	120 VAC Dual Water Solenoid Valve
3	P366	Roller Assembly
4	M263	Bender Squeeze Tube Assy

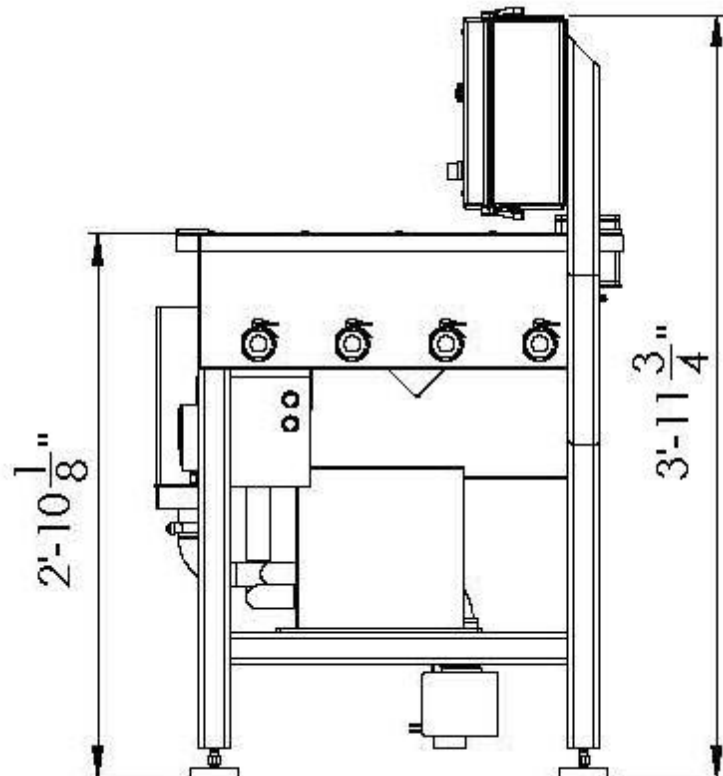
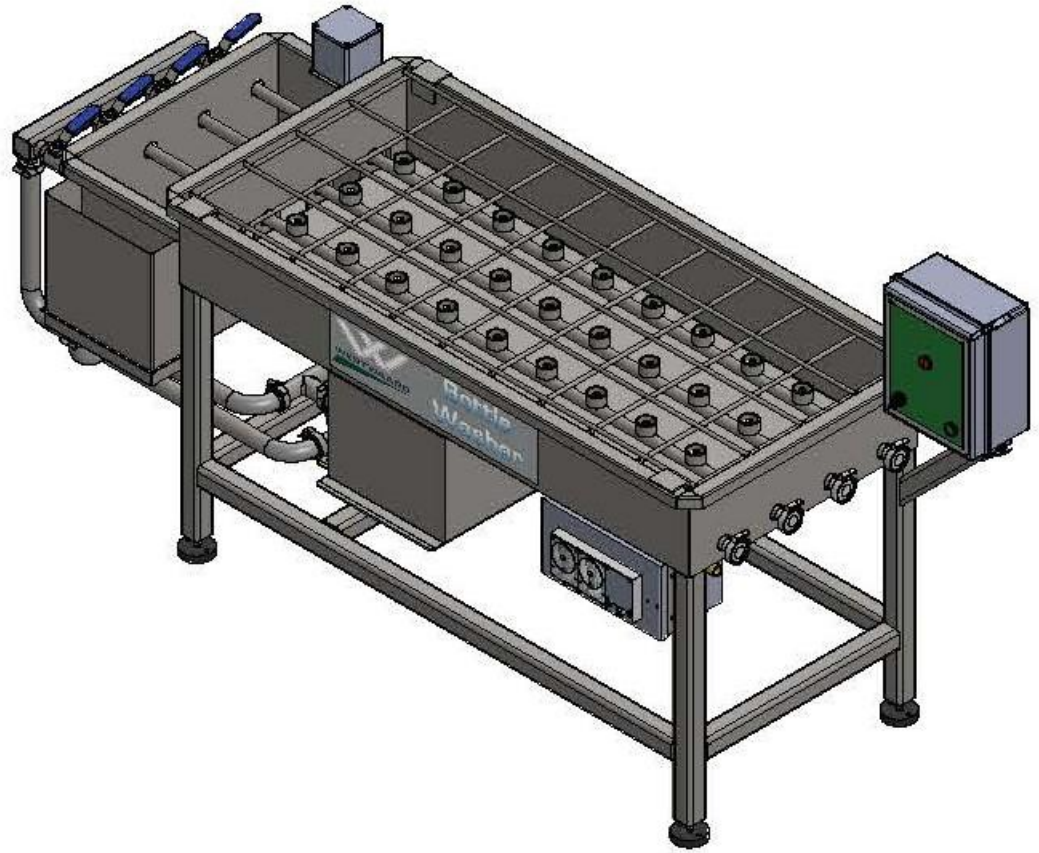
WBW-30 – Overall Dimensions



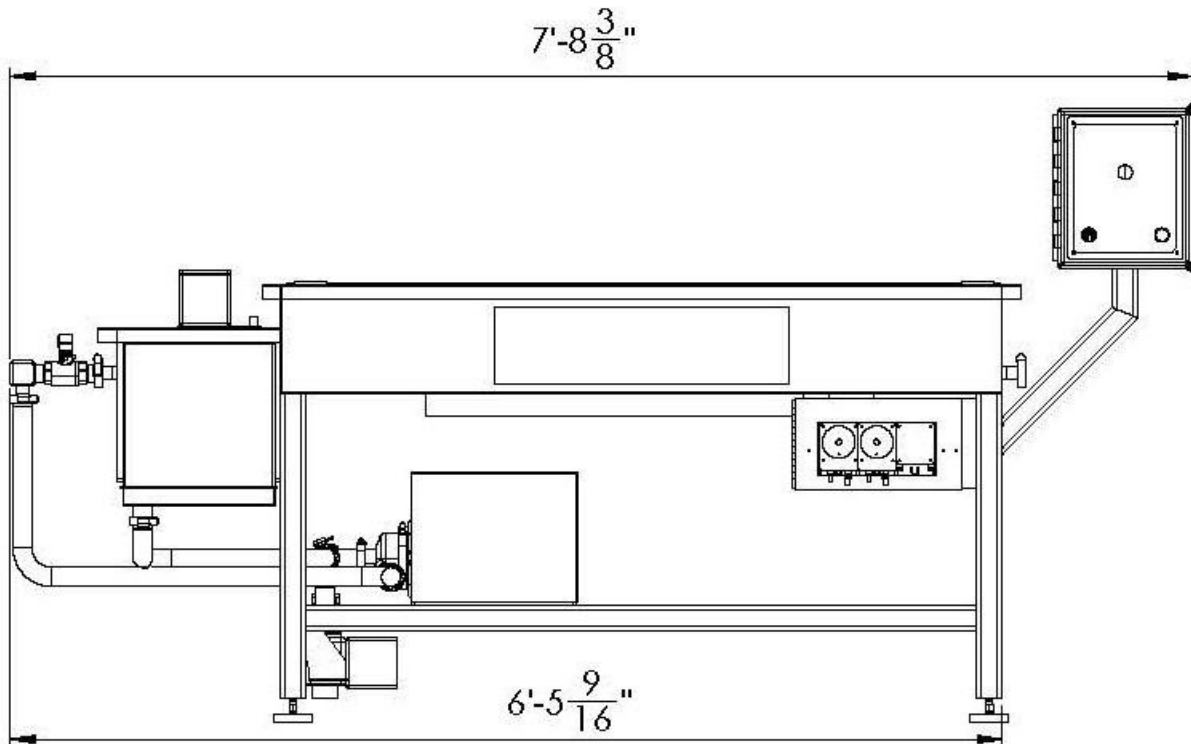
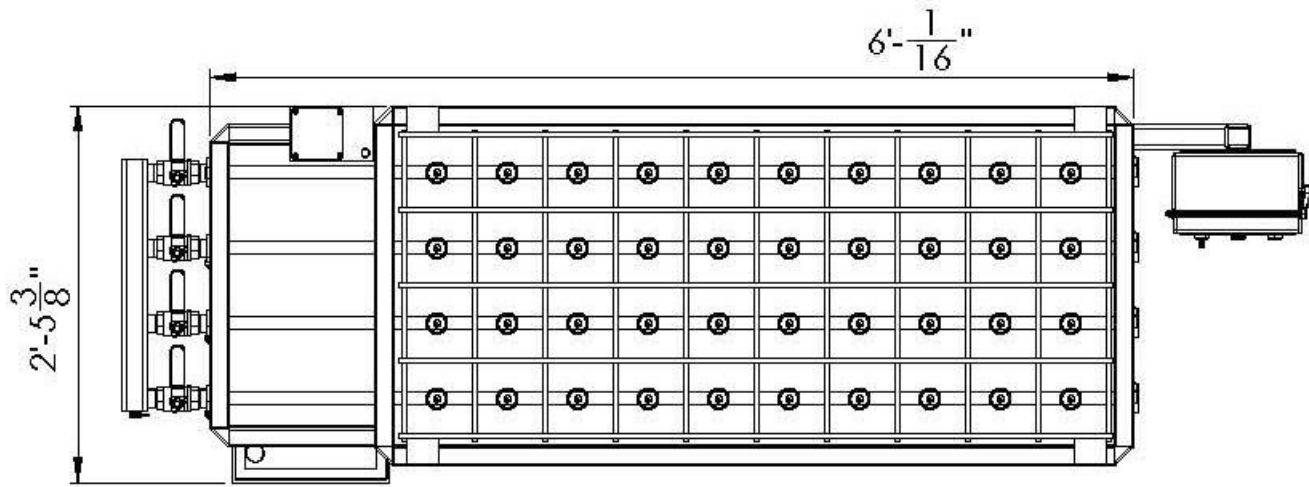
WBW-30 – Overall Dimensions



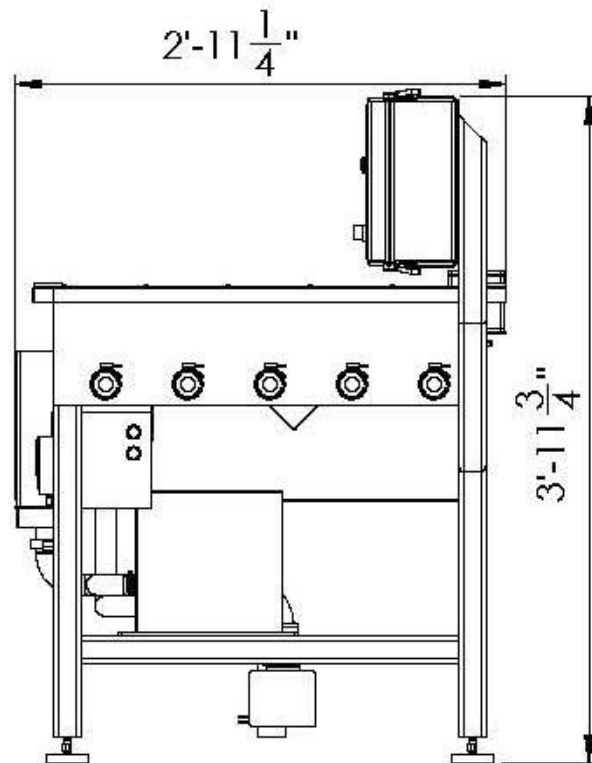
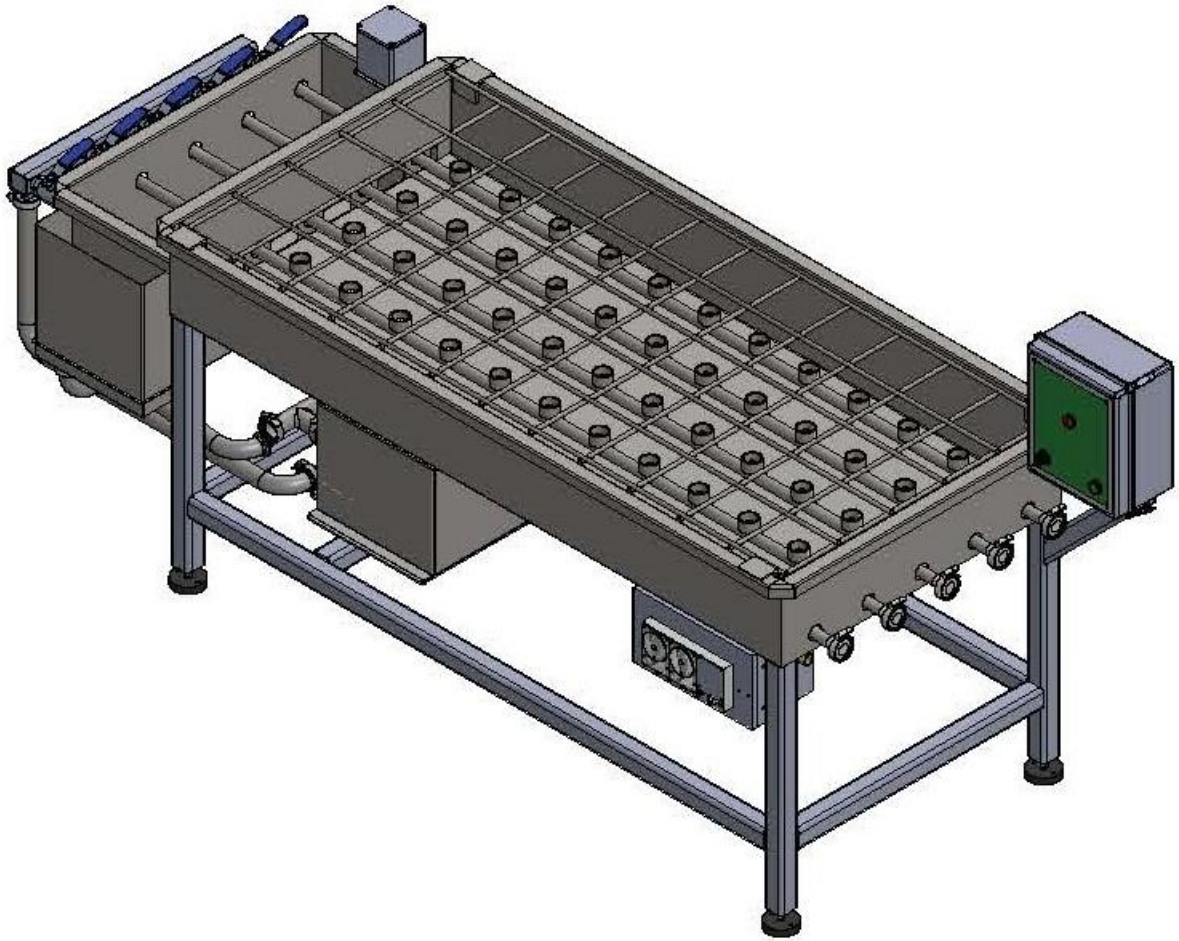
WBW-30 – Overall Dimensions



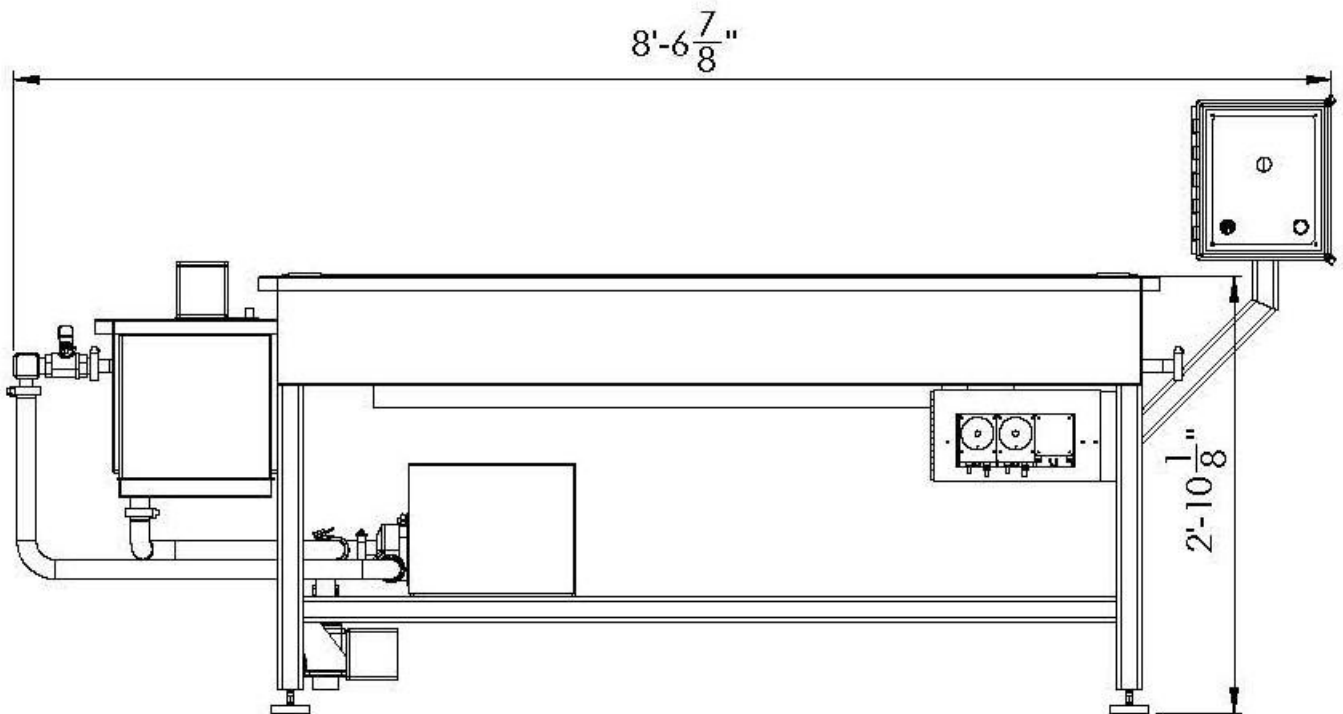
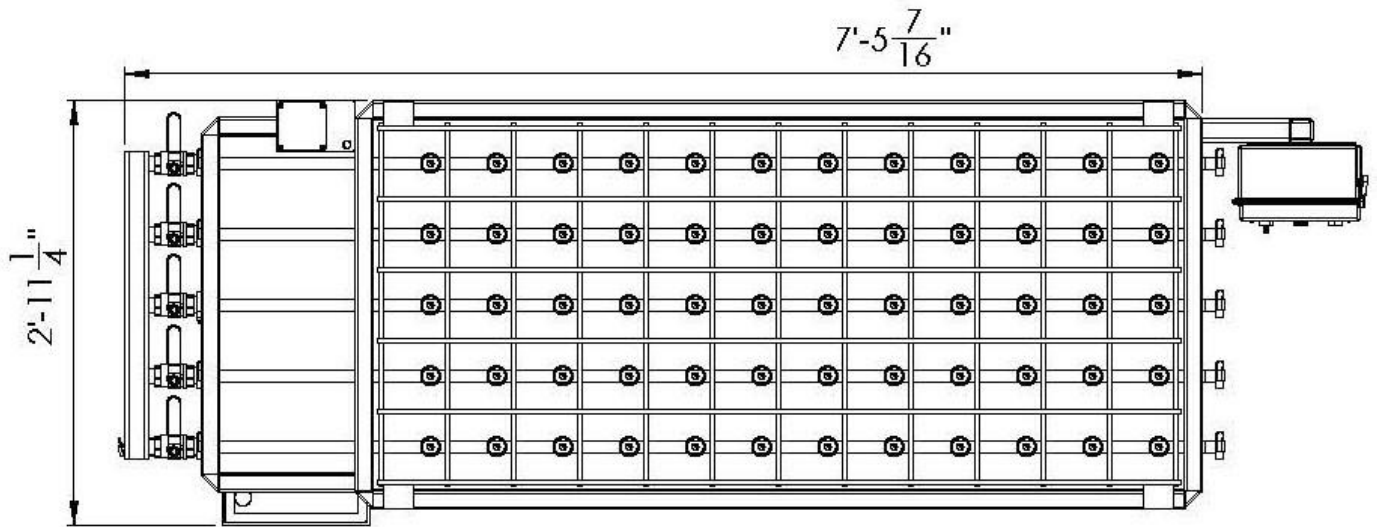
WBW-40 – Overall Dimensions



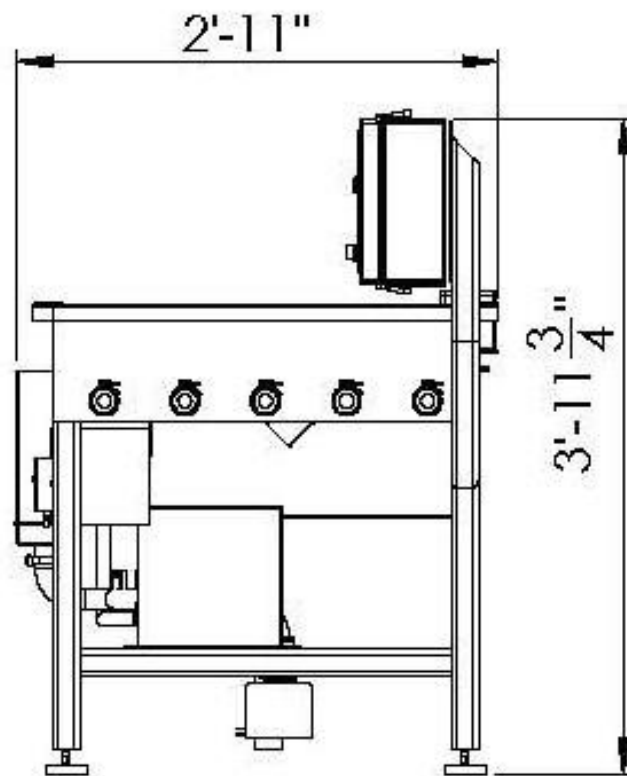
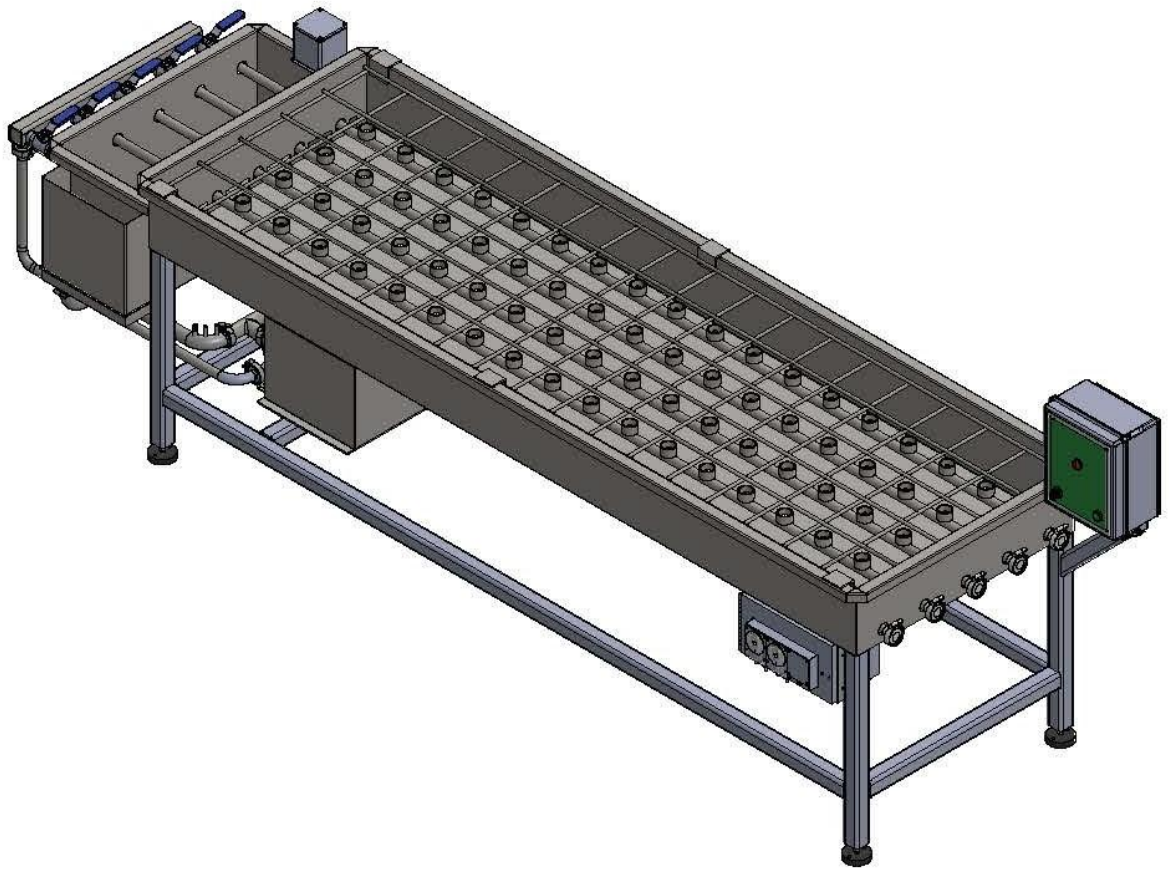
WBW-40 – Overall Dimensions



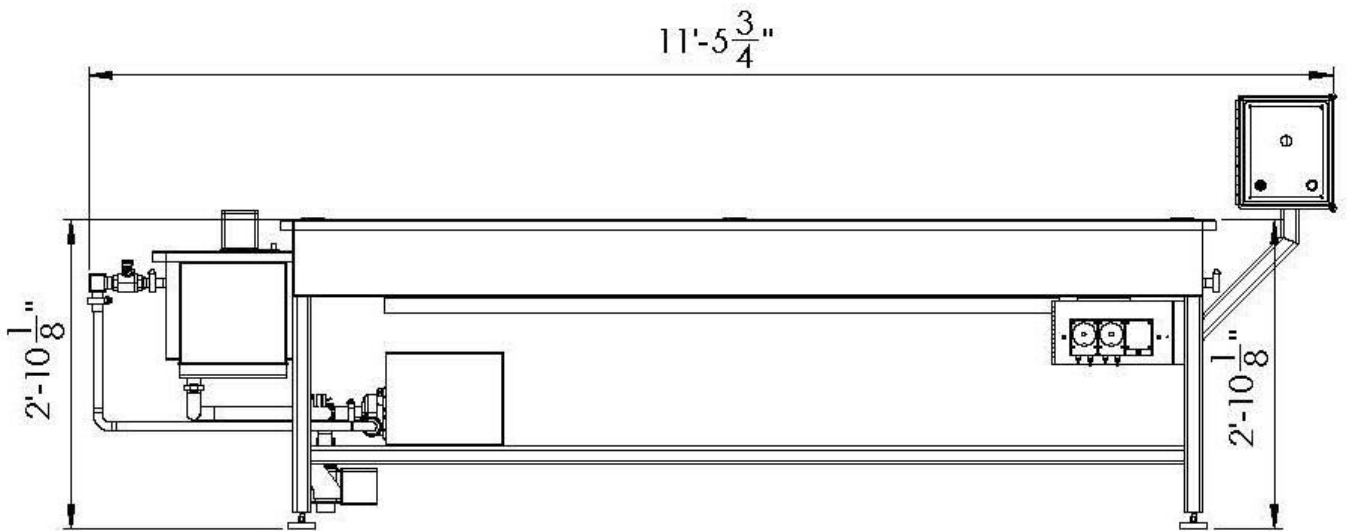
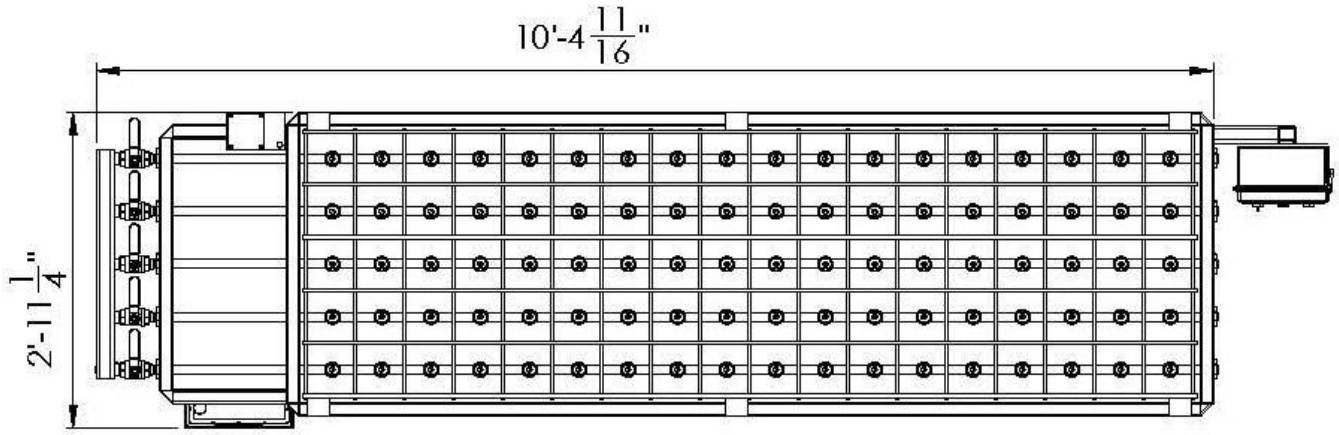
WBW-60 – Overall Dimensions



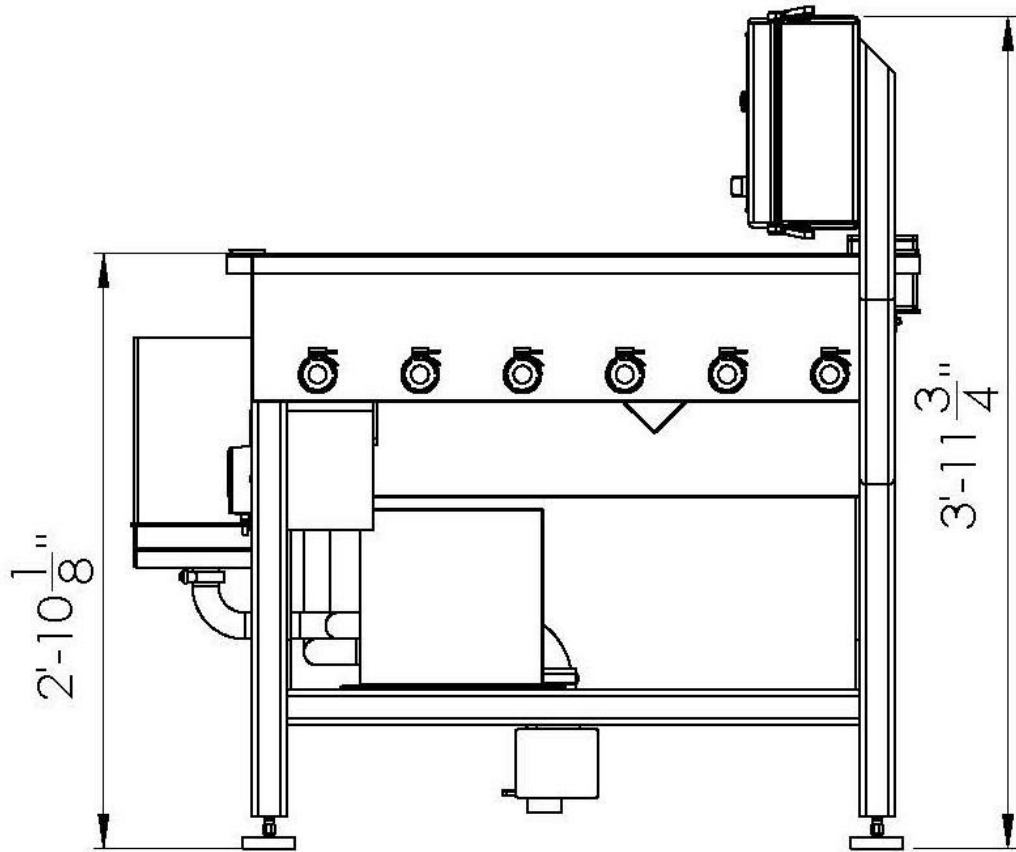
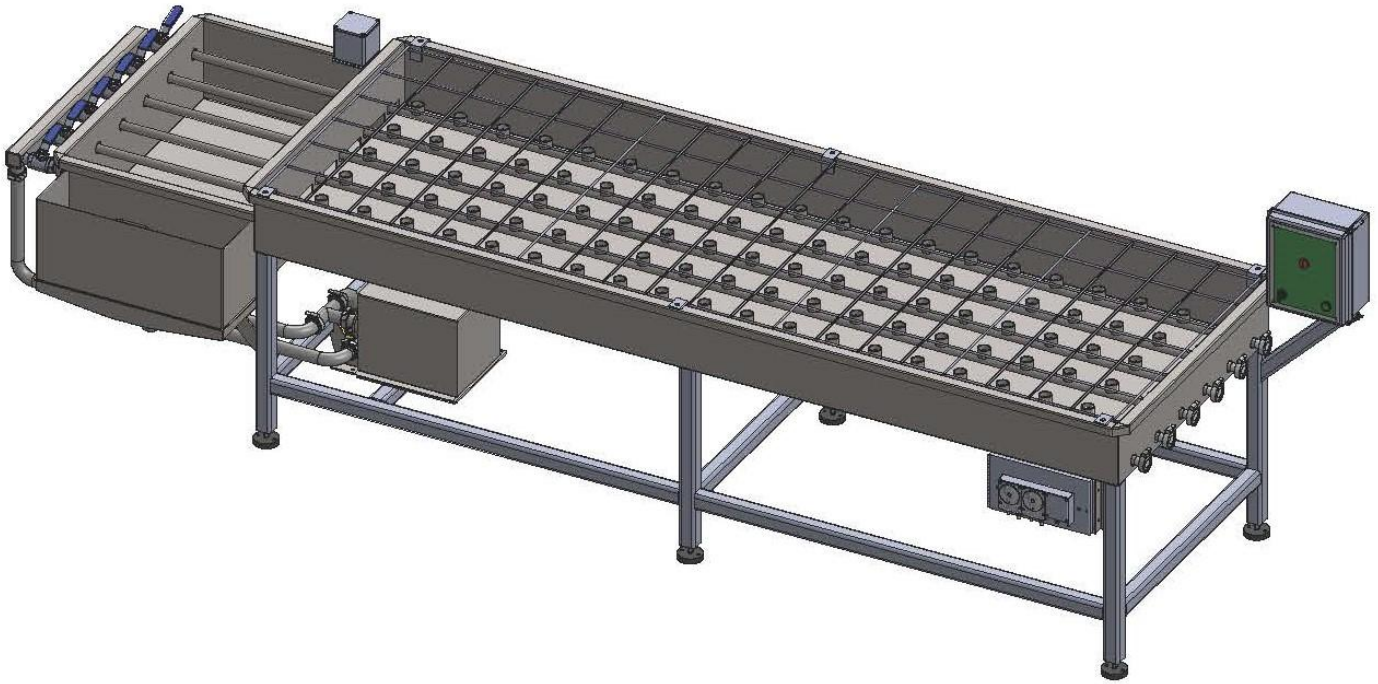
WBW-60 – Overall Dimensions



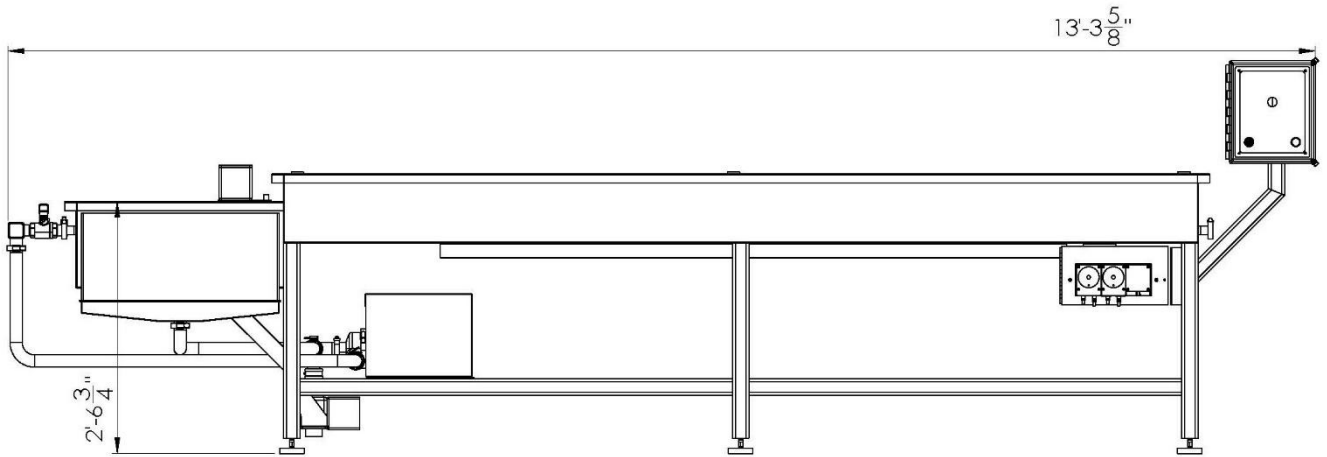
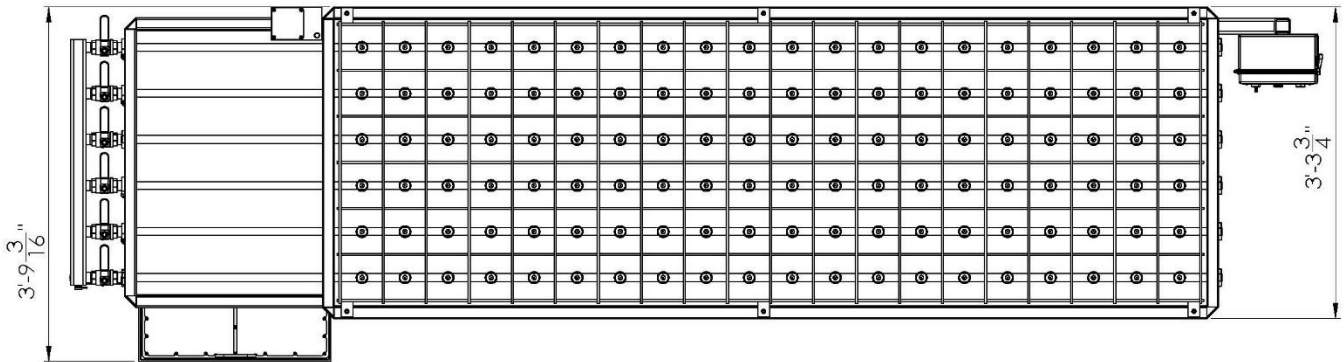
WBW-90 – Overall Dimensions



WBW-120 - Overall Dimensions



WBW-120 - Overall Dimensions



For Technical Support, to order Replacement Parts, or for questions about other products, please contact your local dealer.



WESTWAARD

FABRICATORS for DARITECH

WestWaard Bottle Washers Part Manual | Rev.1.2