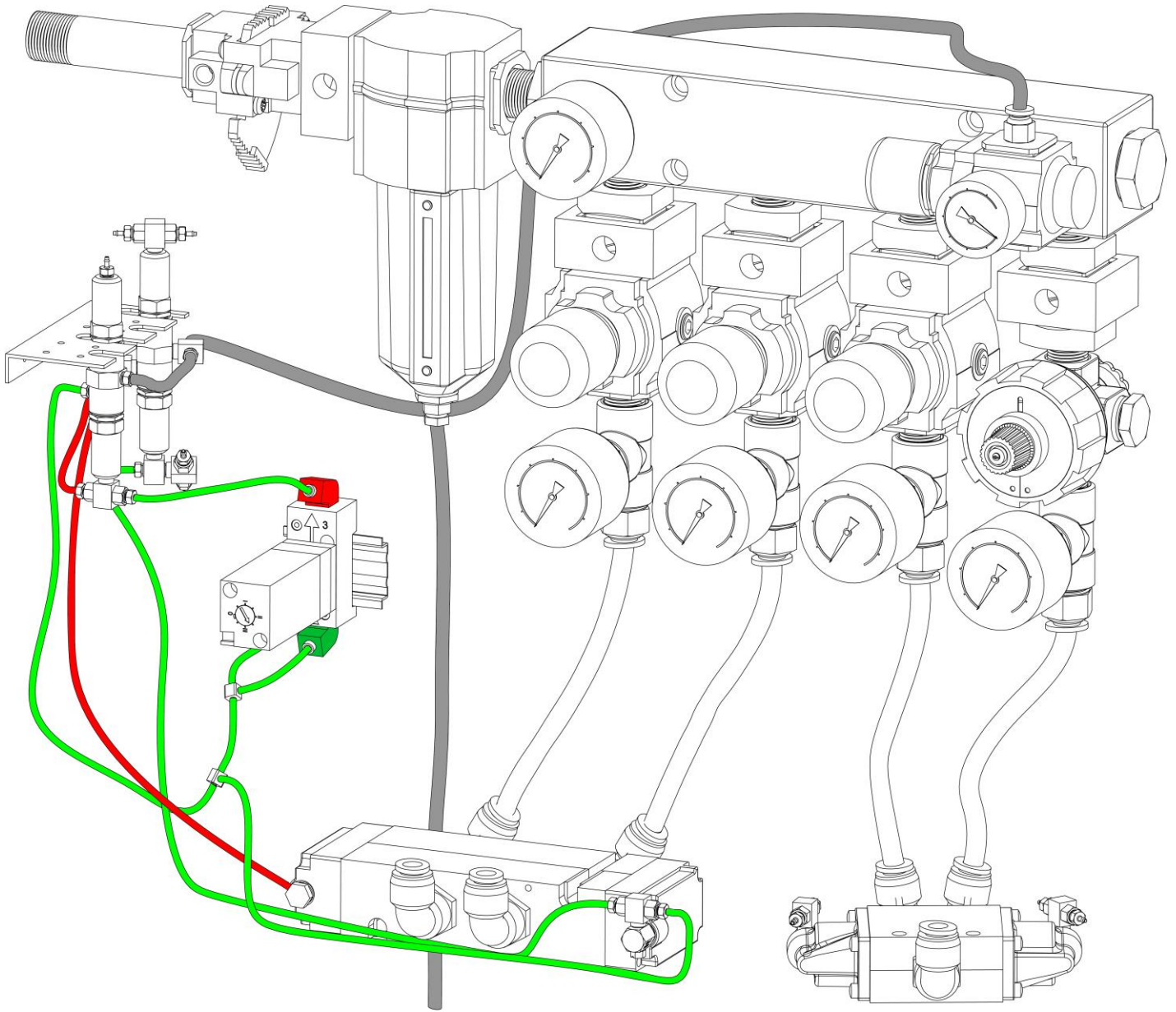




Crowd Gate – Crowd Control Box

Part List

Main Control Box (Gen.3)

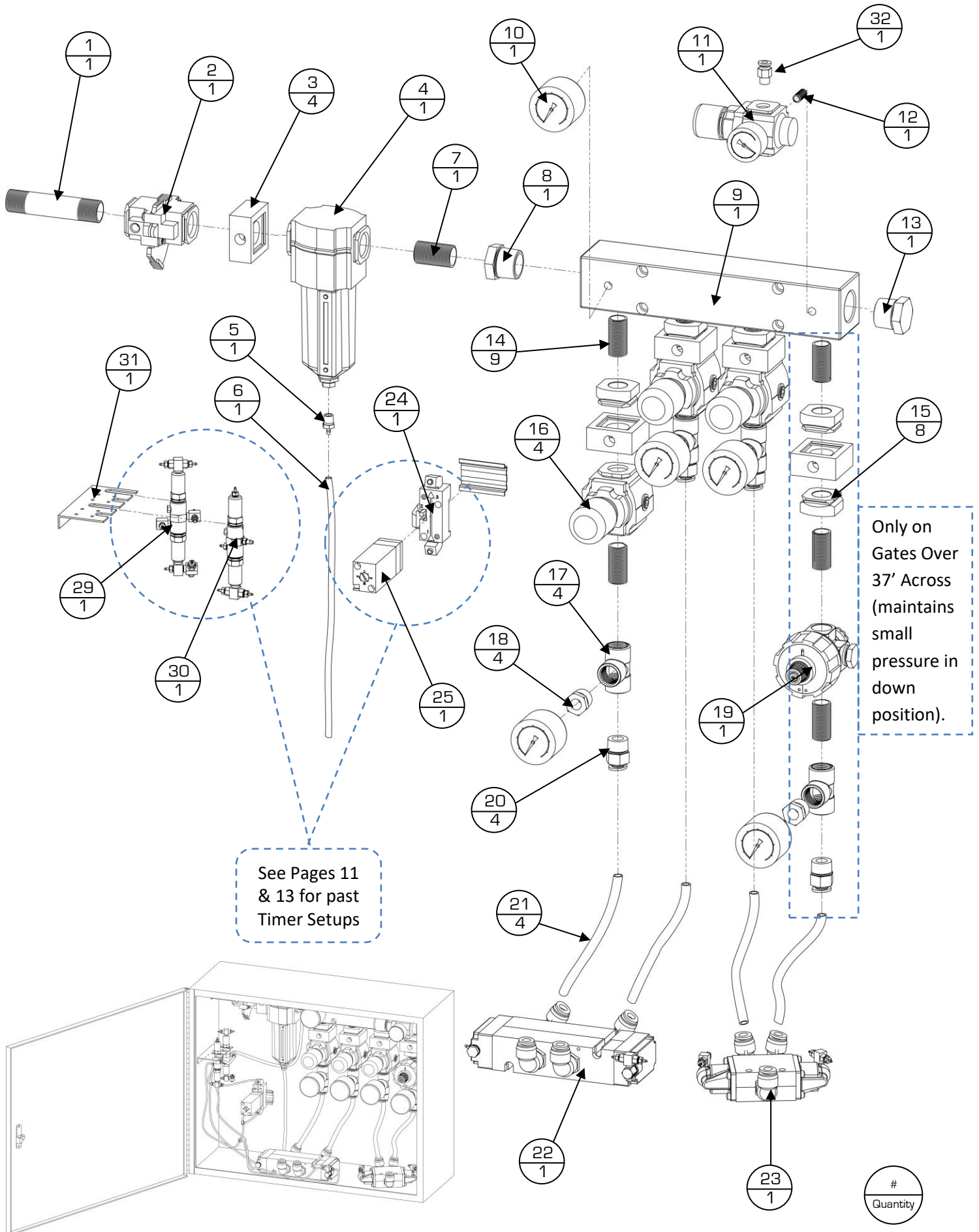


This page is strictly for visual purposes only. All Crowd Gate Main Control Box generations have identical parts, with the exception of their timer assemblies.

The generation 3 main control box (shown above) is the current version produced for the Westward Crowd Gate.

Generation 1 & 2 Timer Assemblies can be found on pages 11 & 13. Replacement parts are no longer Available for generation 1 & 2 Main Control Timer Assemblies. Generation 1 & 2 Timer Assemblies must be upgraded to a Generation 3 Timer.

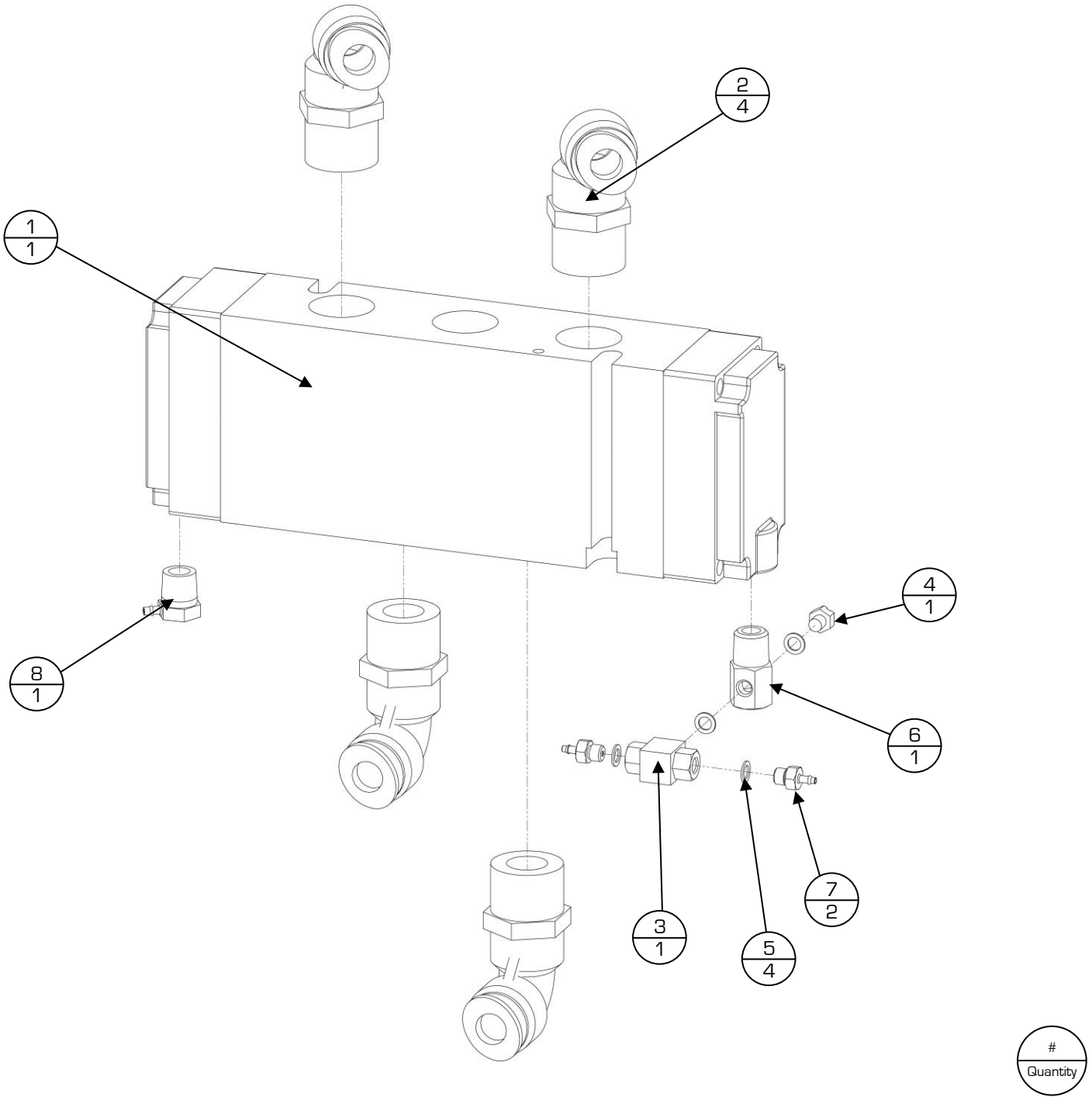
Main Control Box (Gen.3)



Main Control Box

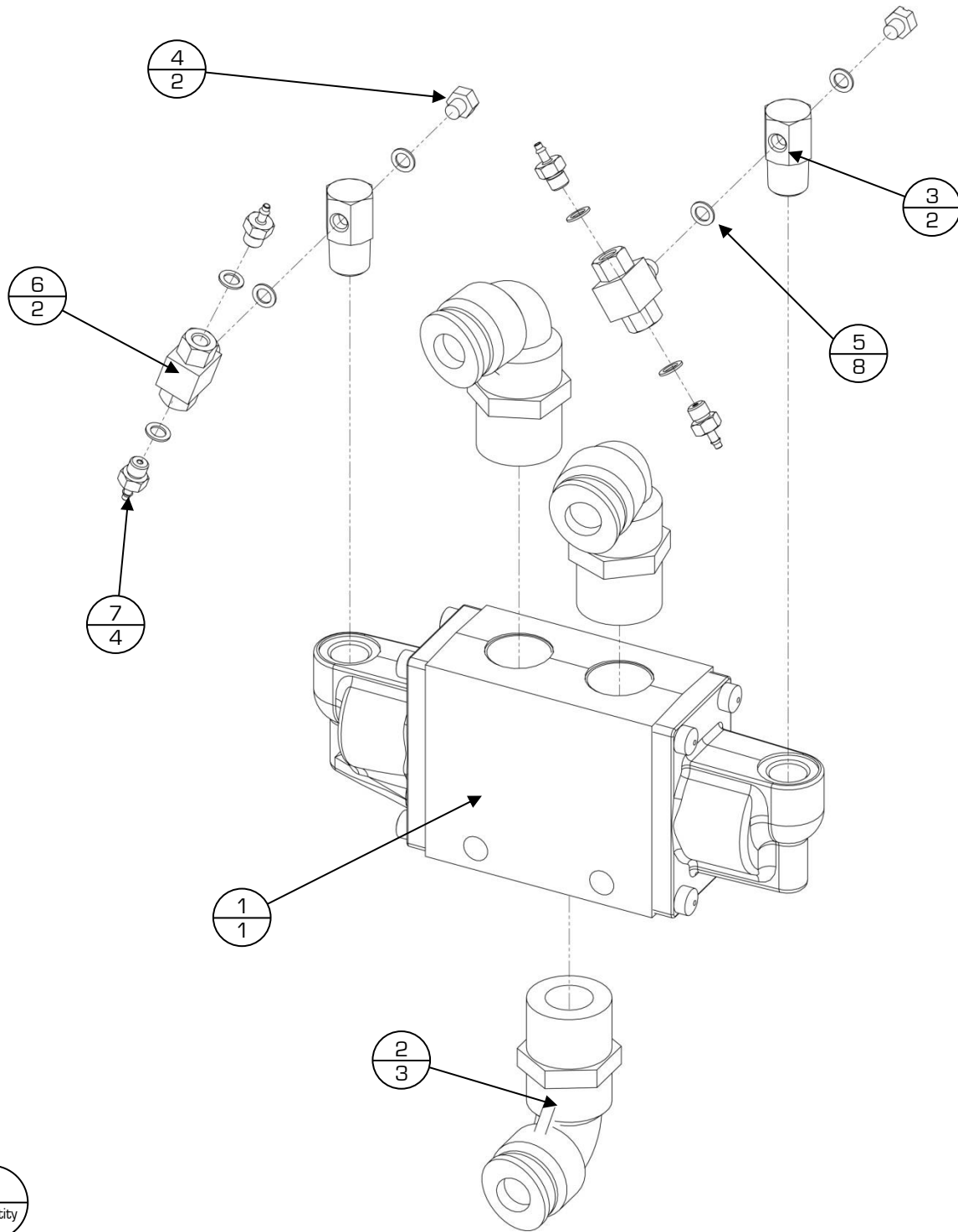
Label	Part #	Description
1	N460	¾" X 4" Galvy Nipple
2	T594	Lock Out
3	P242	Quick Clamp
4	A482	¾" General Purpose Filter
5	A881	1/8" B-3 NPT X 1/8" HB Brass STT
6	C867	PLYURTHN Tubing ¼" X 1/8" (BLACK) Sold By The Foot
7	L259	¾" Brass Threaded Nipple
8	D149	¾" to 1" Brass Bushing
9	E149	Manifold Block
10	N540	Pressure Gauge
11	C701	¼" Regulator (with pressure gauge)
12	Y845	¼" Brass Threaded Nipple
13	J207	1" Galvy Plug
14	O952	½" Brass Nipple
15	Q187	Norgren Pipe Adapter
16	S254	½" Regulator (with pressure gauge)
17	R275	½" Brass Tee
18	Y945	½" to ¼" Brass Bushing
19	V424	Regulator
20	V642	½" Straight
21	X245	Nylon Tubing ½" (GREEN) Sold By The Foot
22	--	FWD / REV Valve ASM
23	--	UP / DOWN Valve ASM
24	F471	Pneumatic Timer Base
25	K817	Pneumatic Timer
26	J404	5/32" Poly Air Hose (GREEN) - <i>NOT SHOWN</i> Sold By The Foot
27	X662	PLYURTHN Tubing 1/8" X 1/16" (RED) - <i>NOT SHOWN</i> Sold By The Foot
28	V867	B-2 1/16" Brass Tee - <i>NOT SHOWN</i>
29	--	FWD / REV Control ASM
30	--	Time FWD Control ASM
31	M907	Multi-Mount Bracket
32	S815	1/8" Straight

FWD / REV Valve



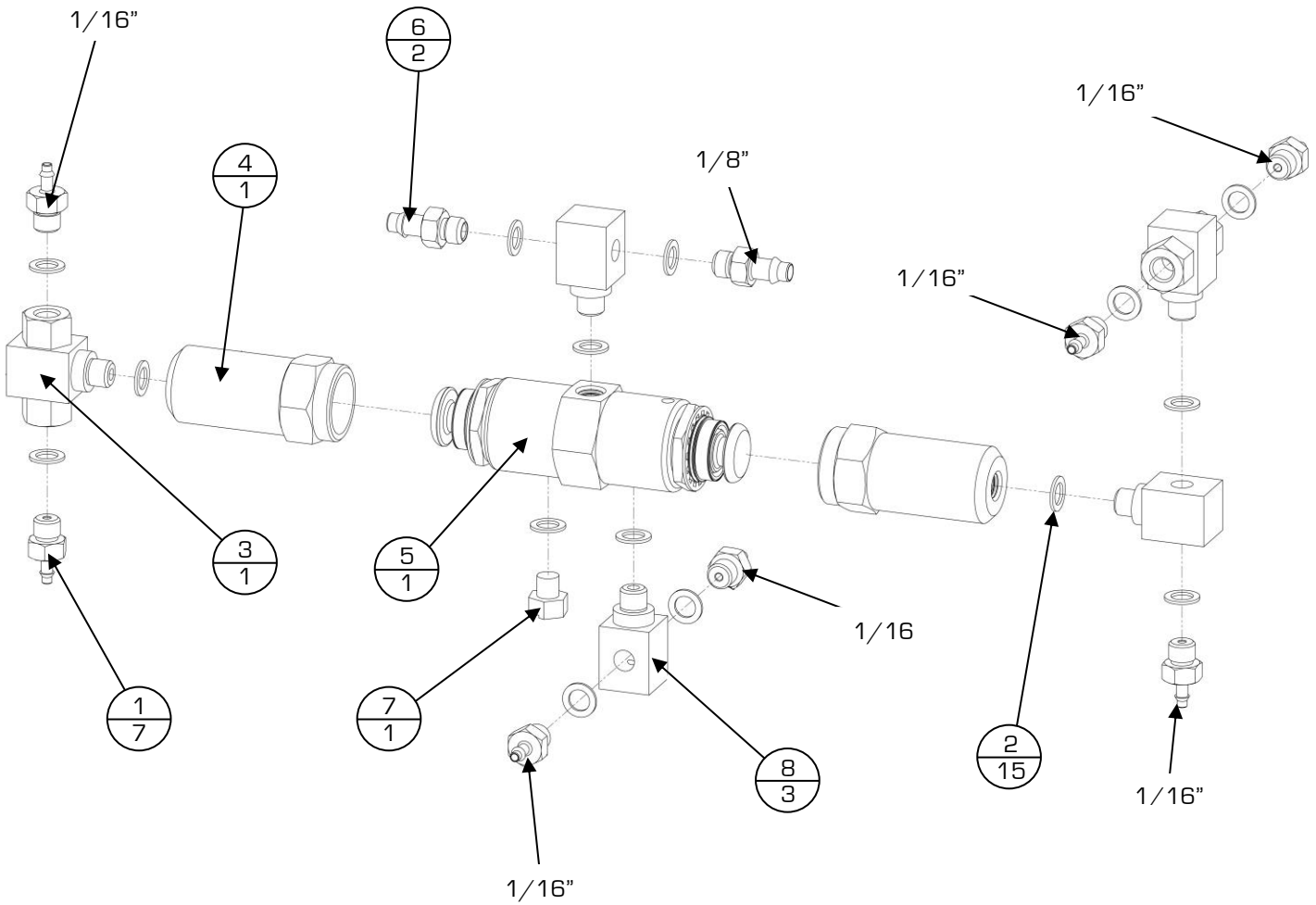
Label #	Part #	Description
1	R490	FWD / REV Valve
2	U688	1/2" SPC Swivel Elbow
3	D657	Clippard Shuttle Valve
4	J439	10-32 Brass Plug
5	M863	G110 Gasket
6	X969	1/8" X 10-32 T Fitting
7	D569	10-32 b-2 STR x 1/16" HB Brass ST
8	P374	1/8" LB-2 NPT 90

UP / DOWN Valve



Label #	Part #	Description
1	G829	UP / DOWN Valve
2	U688	1/2" SPC Swivel Elbow
3	X964	Clippard Block
4	J439	10-32 Brass Plug
5	M863	G110 Gasket
6	D657	Clippard Shuttle valve
7	D569	10-32 b-2 STR x 1/16" HB Brass ST

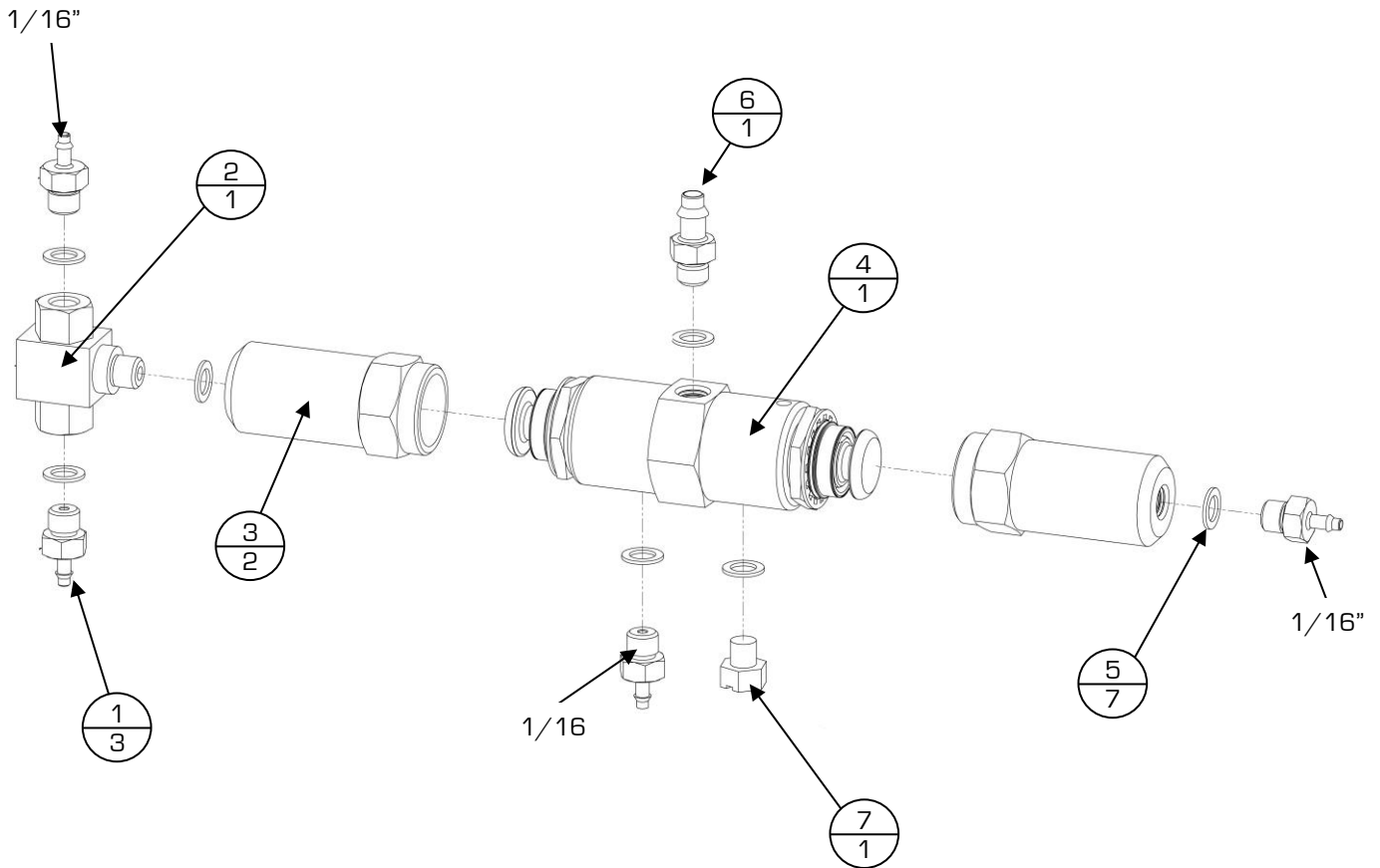
FWD / REV Control Assembly



#
Quantity

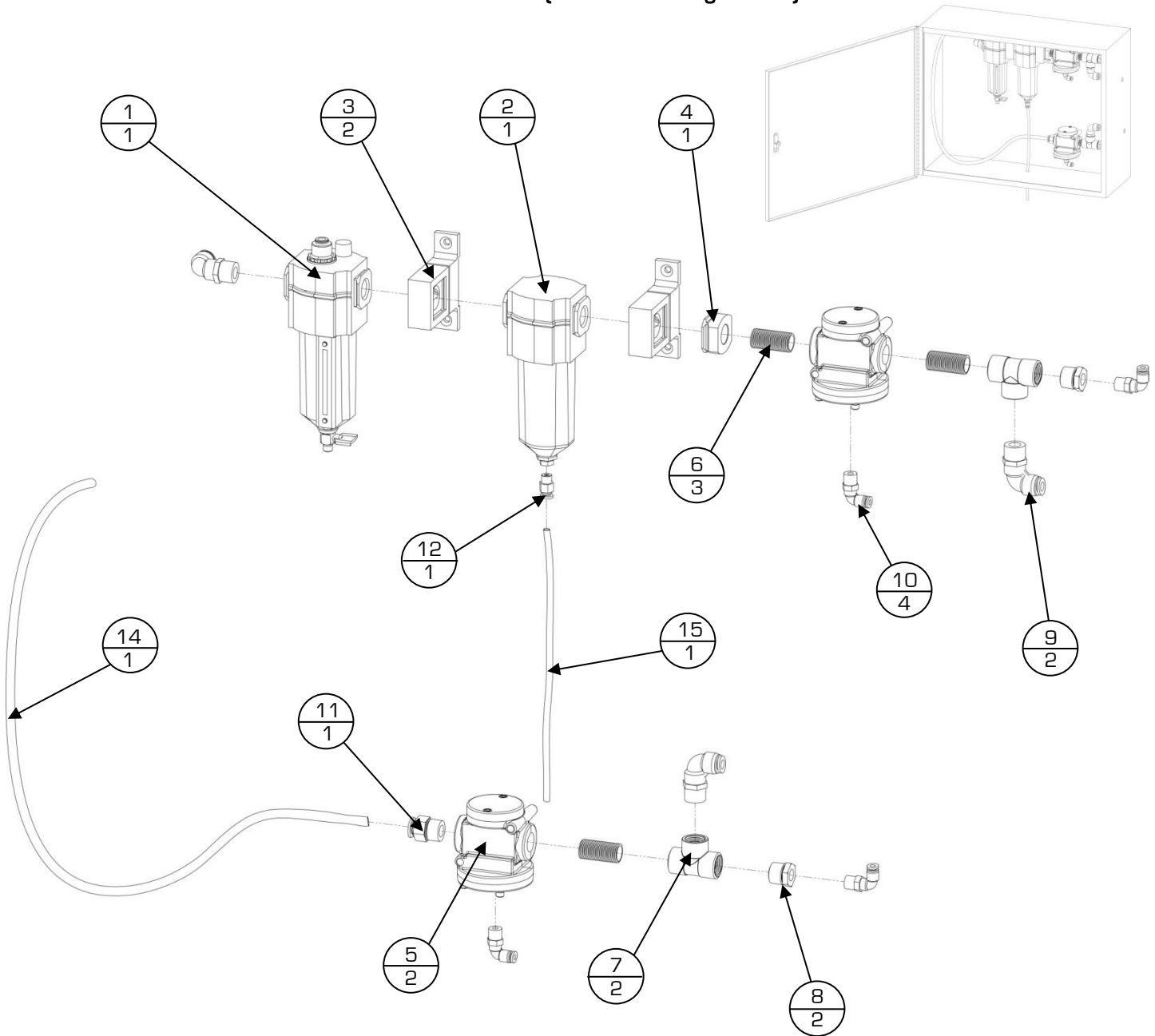
Label #	Part #	Description
1	D569	10-32 B-2 STR X 1/16" HB Brass ST
2	M863	G110 Gasket
3	D657	Shuttle Valve (MSV-1)
4	C369	Air Operator (34A)
5	J723	3-Port Valve(4PP)
6	O633	B-3 STR X 1/8" HB Brass ST
7	J439	10-32 Brass Plug
8	B605	10-32 Block Tee

Time FWD Control Assembly



Label #	Part #	Description
1	D569	10-32 B-2 STR X 1/16" HB Brass ST
2	D657	Shuttle Valve (MSV-1)
3	C369	Air Operator (34A)
4	J723	3-Port Valve(4PP)
5	M863	G110 Gasket
6	O633	B-3 STR X 1/8" HB Brass ST
7	J439	10-32 Brass Plug

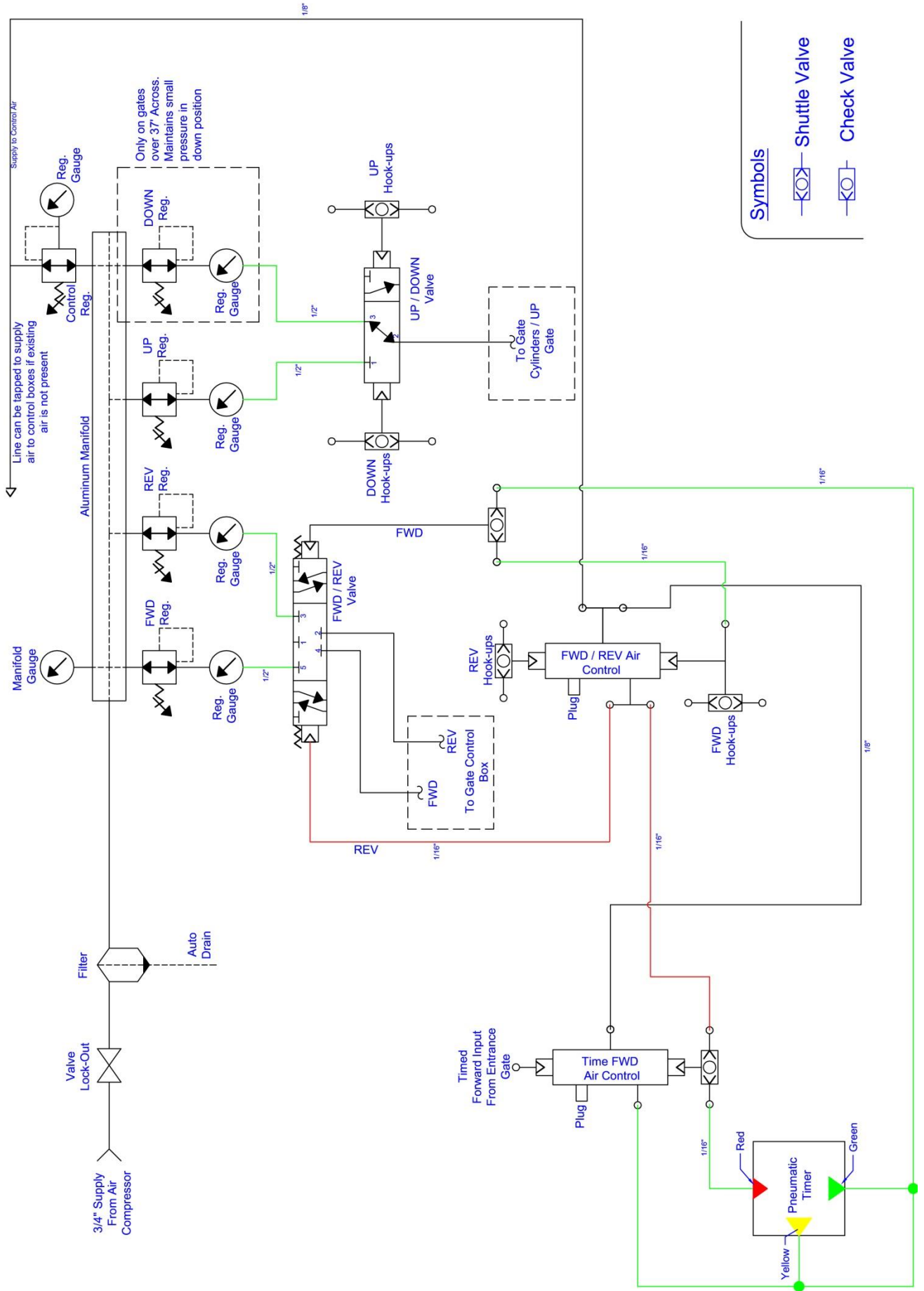
Gate Control Box (Left Side Configuration)



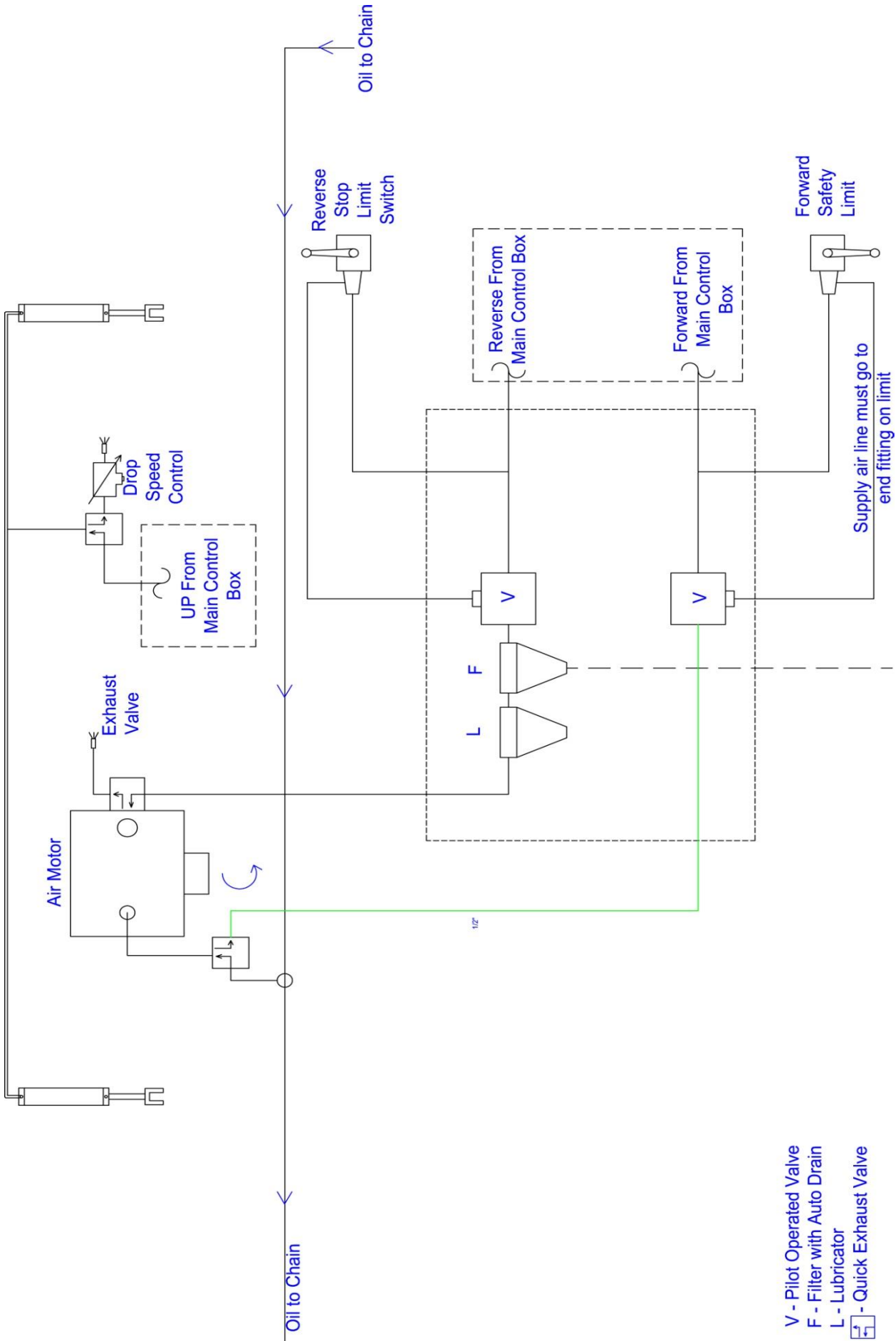
Quantity

Label #	Part #	Description	Label #	Part #	Description
1	D342	74s Norgren Lubricator	9	U688	1/2" SPC Swivel Elbow
2	M984	74s Norgren Filter	10	U530	1/4" SPC Swivel Elbow
3	O231	Norgren Wall Mount	11	V642	1/2" Straight
4	Q187	Norgren Pipe Adapter	12	S815	1/4" Straight
5	Z492	Air Operated Valve (Pop-it valve)	13		1/2" X 5/8" Rubber Grommet
6	O952	1/2" Brass Nipple	14	X245	Nylon Tubing 1/2" Green
7	R275	1/2" Brass Tee	15	C867	PLYURTHN Tubing 1/4" X 1/8" BLACK
8	Y945	1/2" to 1/4" Brass Bushing			

Main Control Box Schematic (Gen. 3)



Gate Control Box Schematic



- V - Pilot Operated Valve
- F - Filter with Auto Drain
- L - Lubricator
-  - Quick Exhaust Valve

For Technical Support, to order Replacement Parts, or for questions about other products,
please contact your local dealer.
