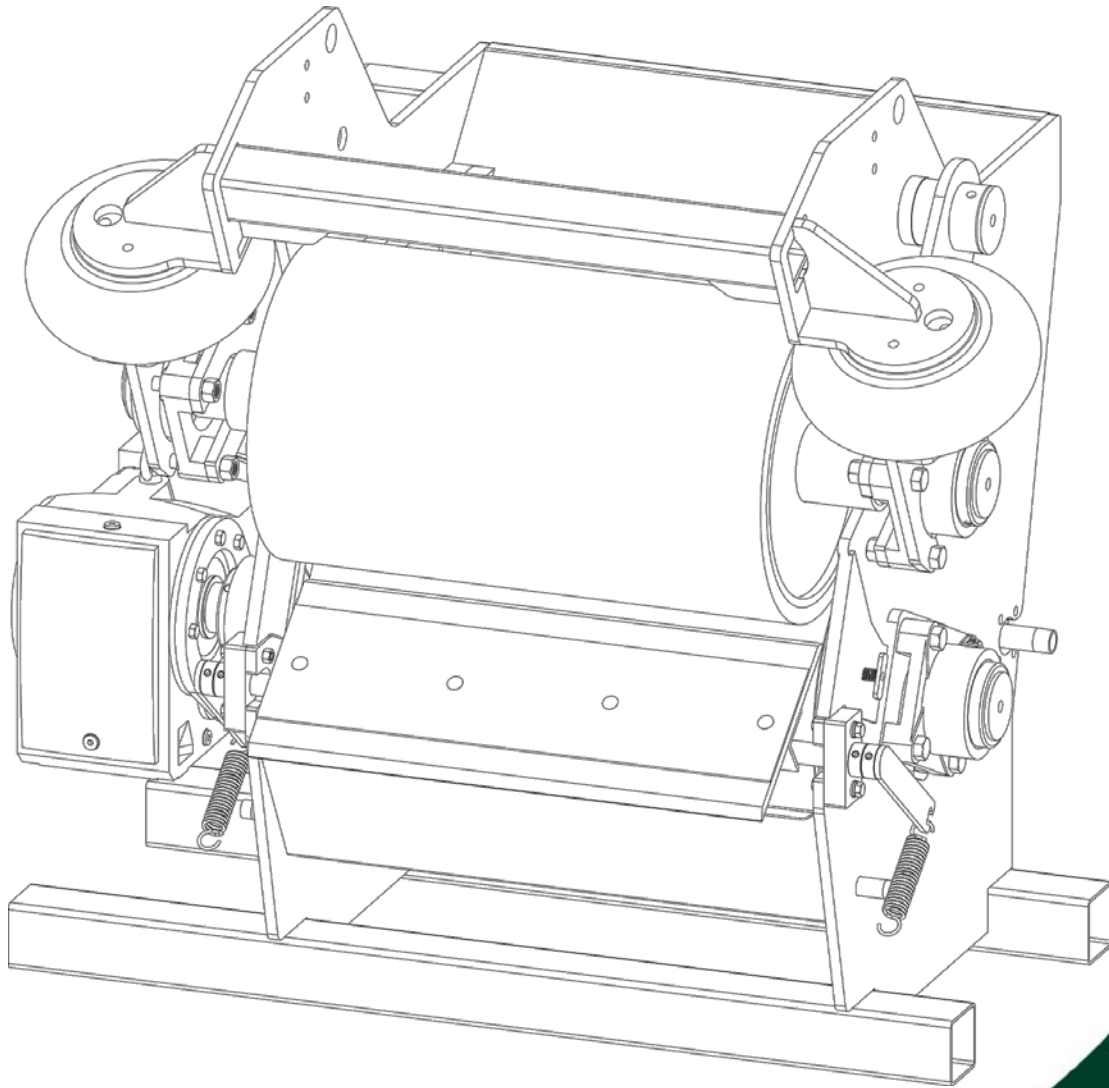




DT Roller Press Separator

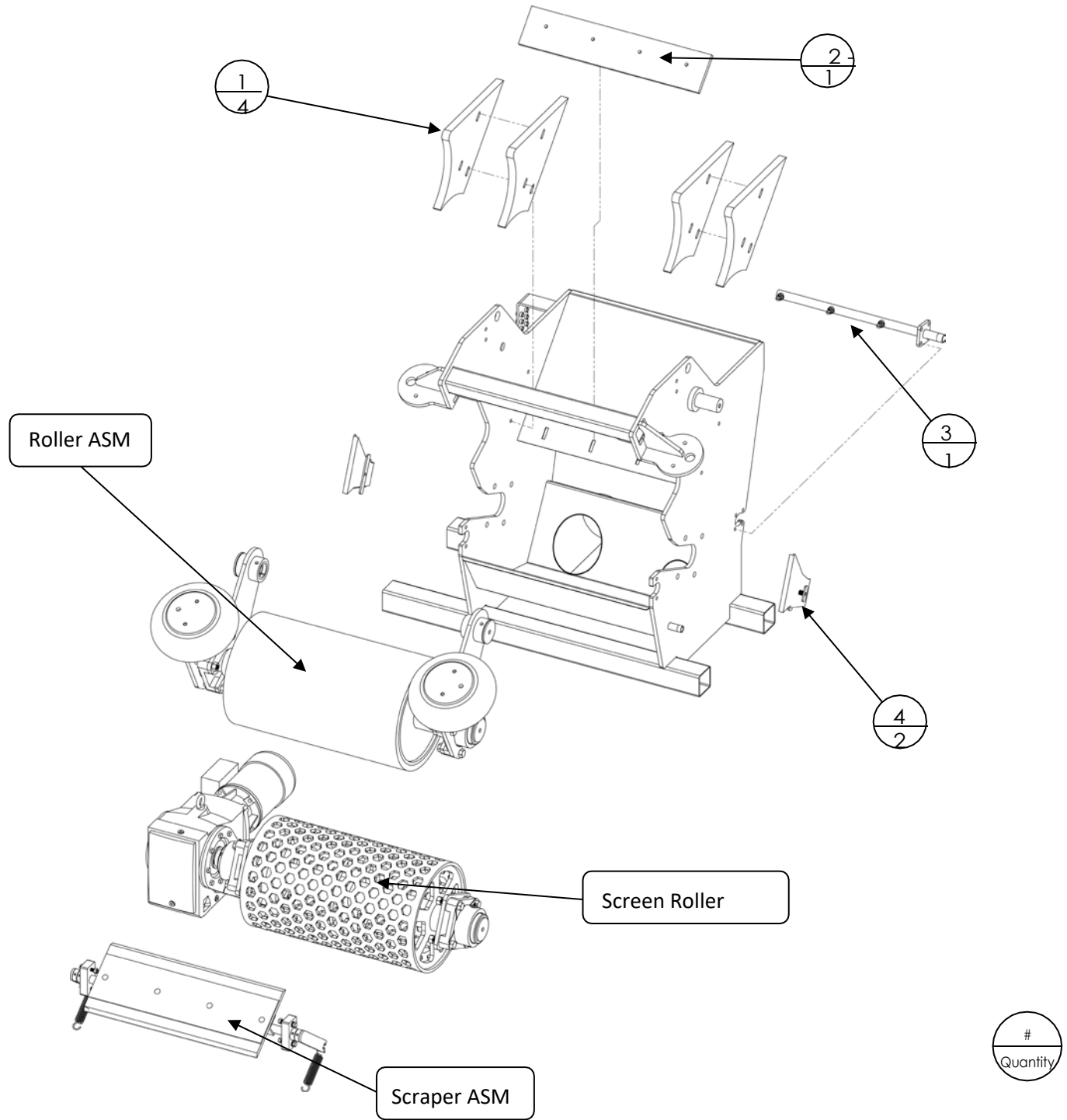
Part Manual



For Model:

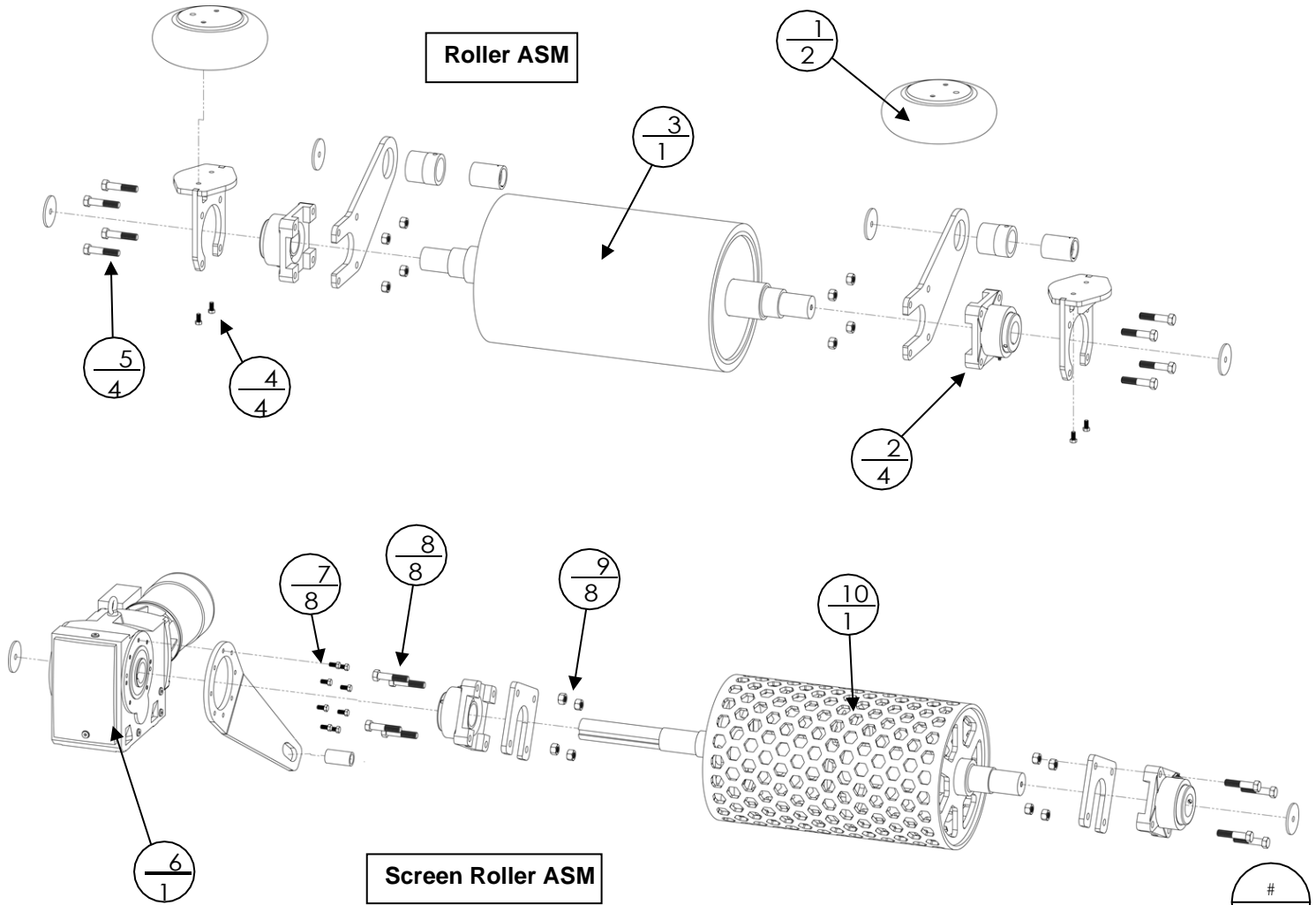
DT 2-Roller 24" Air Press – Rev 1

DT 2-Roller 24 Inch (Air Bag) – Components



Label	Part #	Description
1	X878	1" UHMW Roller Press Guide
2	K437	Rubber lip seal – 24" Roller Press, 1/2" black rubber
3	U559	24" Spray Bar Replacement Complete
4	J283	Slot Plug DT RP Air (Left)
	C682	Slot Plug DT RP Air (Right)

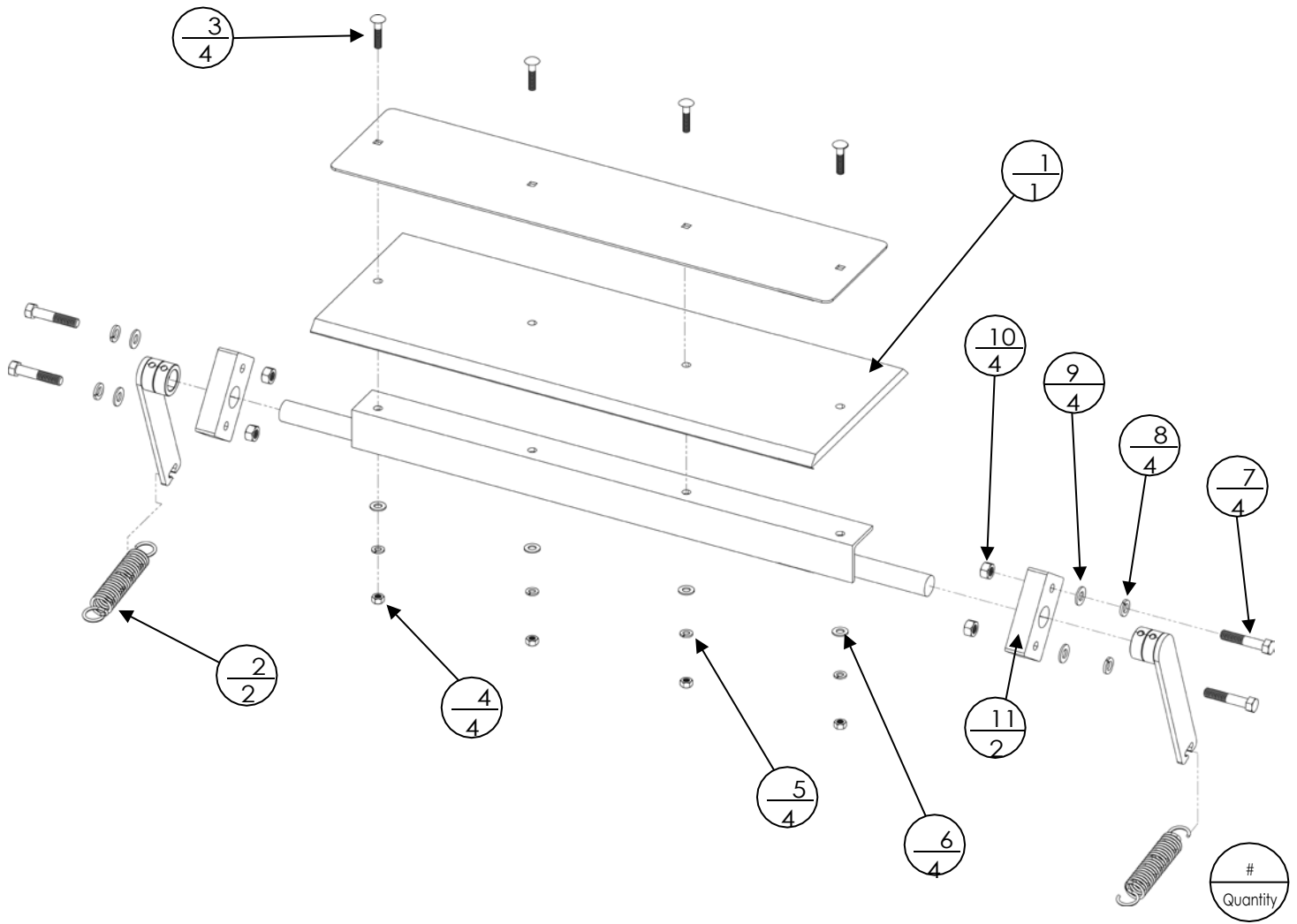
DT 2-Roller 24 Inch (Air Bag) - Roller Assembly



Label	Part #	Description	# Quantity
1	O285	11" Bellow Air Bag	
2	C177	4 Bolt Flange Bearing	
3	M617	DT RP Air 24" Replacement Roller	
4	O443	3/8".16 X 1" SS Bolt	
5	B718	5/8".11 X 3-1/2"SS Bolt	
6	Z134	1 HP / 3PH Motor & Gearbox Assembly	
	-	Gearbox Only	
	O149	Motor Only	
7	O443	3/8".16 X 1" SS Bolt	
8	B718	5/8".11 X 3-1/2"SS Bolt	
9	R655	5/8".11 SS Nut	
10	S434	DT RP Air 24" Replacement Screen Roller	
	E529	1/8" SS Screen Wrap Only For 24" Screen Roller	

*Items not listed are considered non-common replacement parts and can be custom ordered upon request.

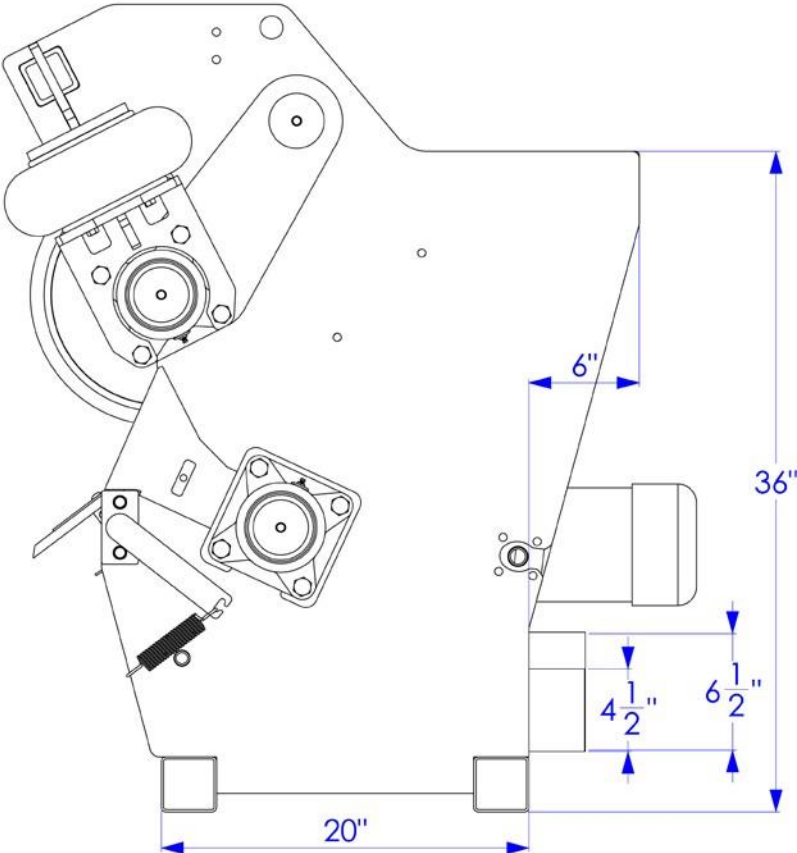
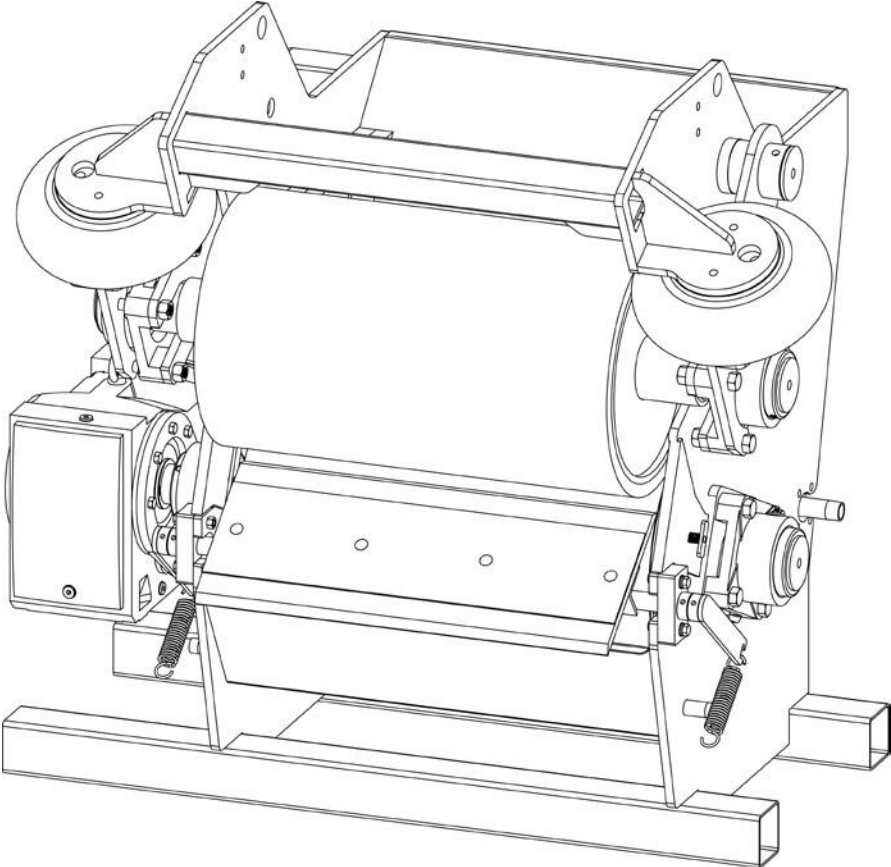
DT 2-Roller 24 Inch (Air Bag) - Scraper Assembly



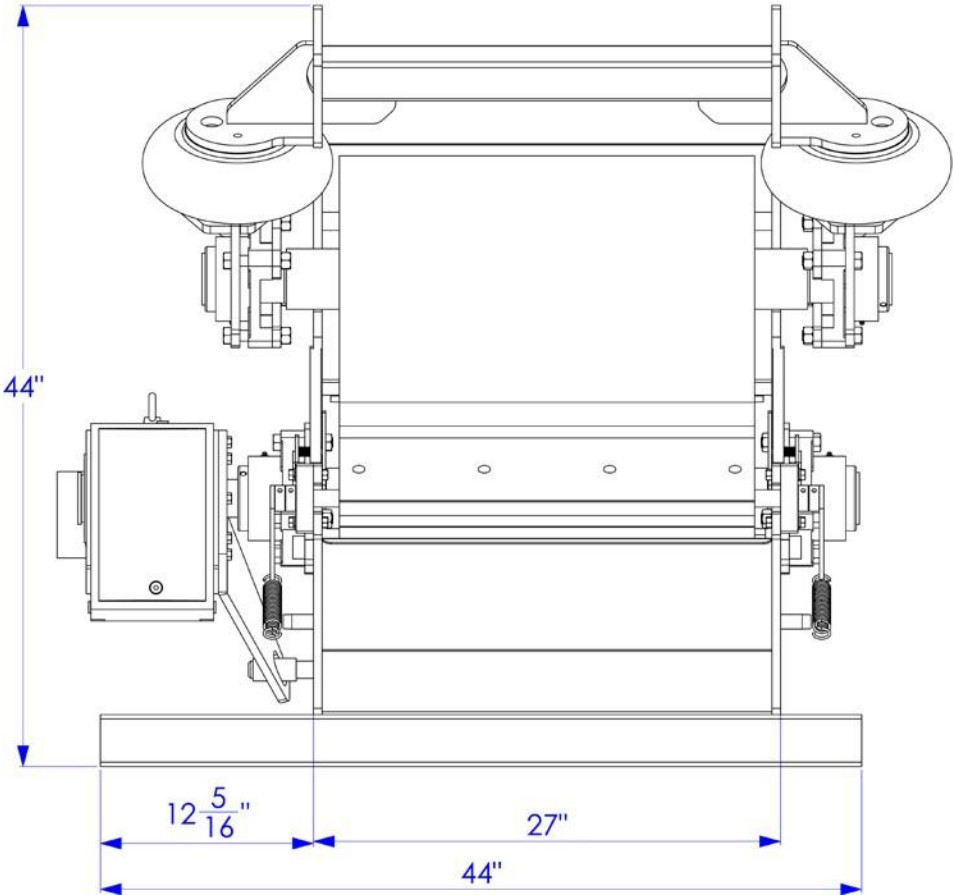
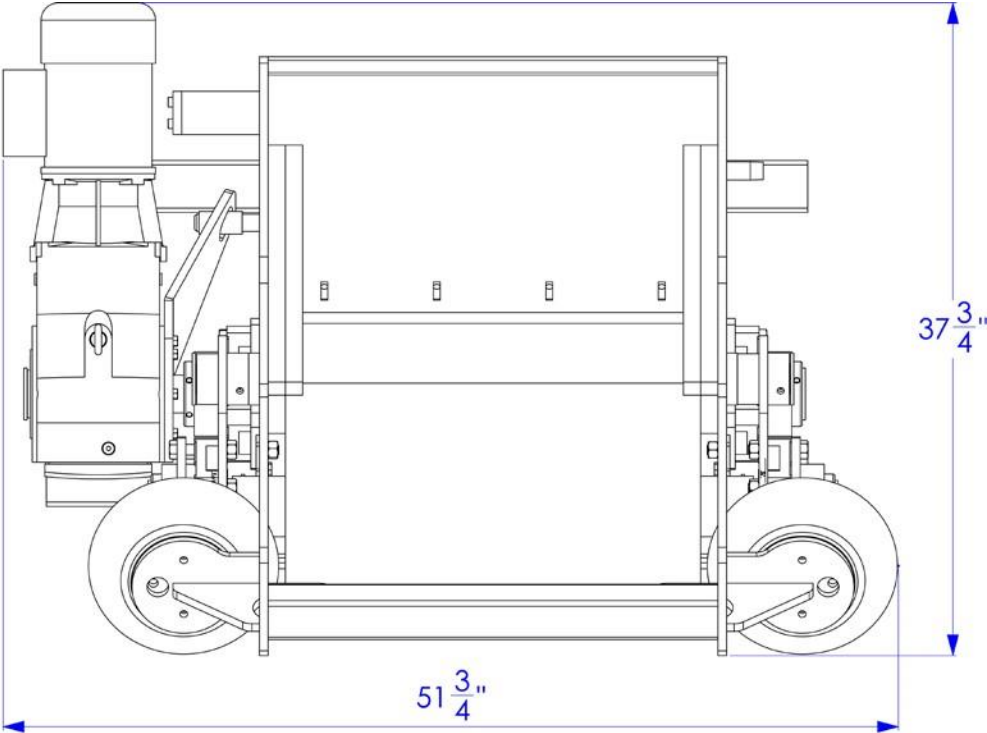
Label	Part #	Description
1	S749	24" UHMW Screen Scraper
2	S660	6" SS Spring
3	V307	5/16"-18 X 1-1/2" Carriage Bolt
4	S581	5/16" SS Nut
5	T829	5/16" SS Lock Washer
6	Q797	5/16" SS Flat Washer
7	K895	3/8"-16 X 2" SS Bolt
8	G736	3/8" SS Lock Washer
9	E143	3/8" SS Flat Washer
10	P398	3/8" SS Nut
11	Q195	1" UHMW Pivot Block

*Items not listed are considered non-common replacement parts and can be custom ordered upon request.

DT 2-Roller 24 Inch Press – Overall Dimensions



DT 2-Roller 24 Inch Press – Overall Dimensions



**For Technical Support, to order Replacement Parts, or for questions about other products,
please contact your local dealer.**
