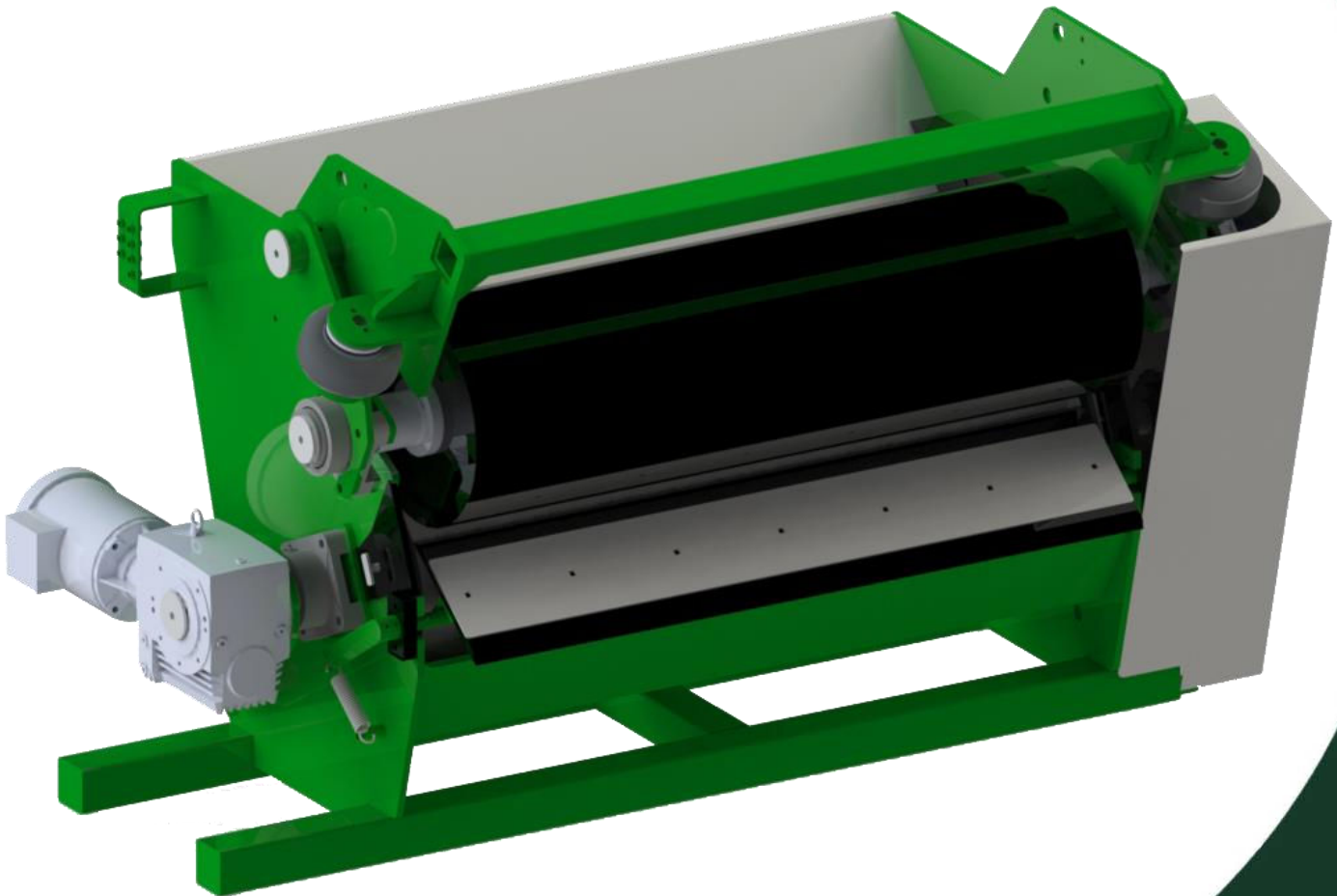




DT Roller Press Separator

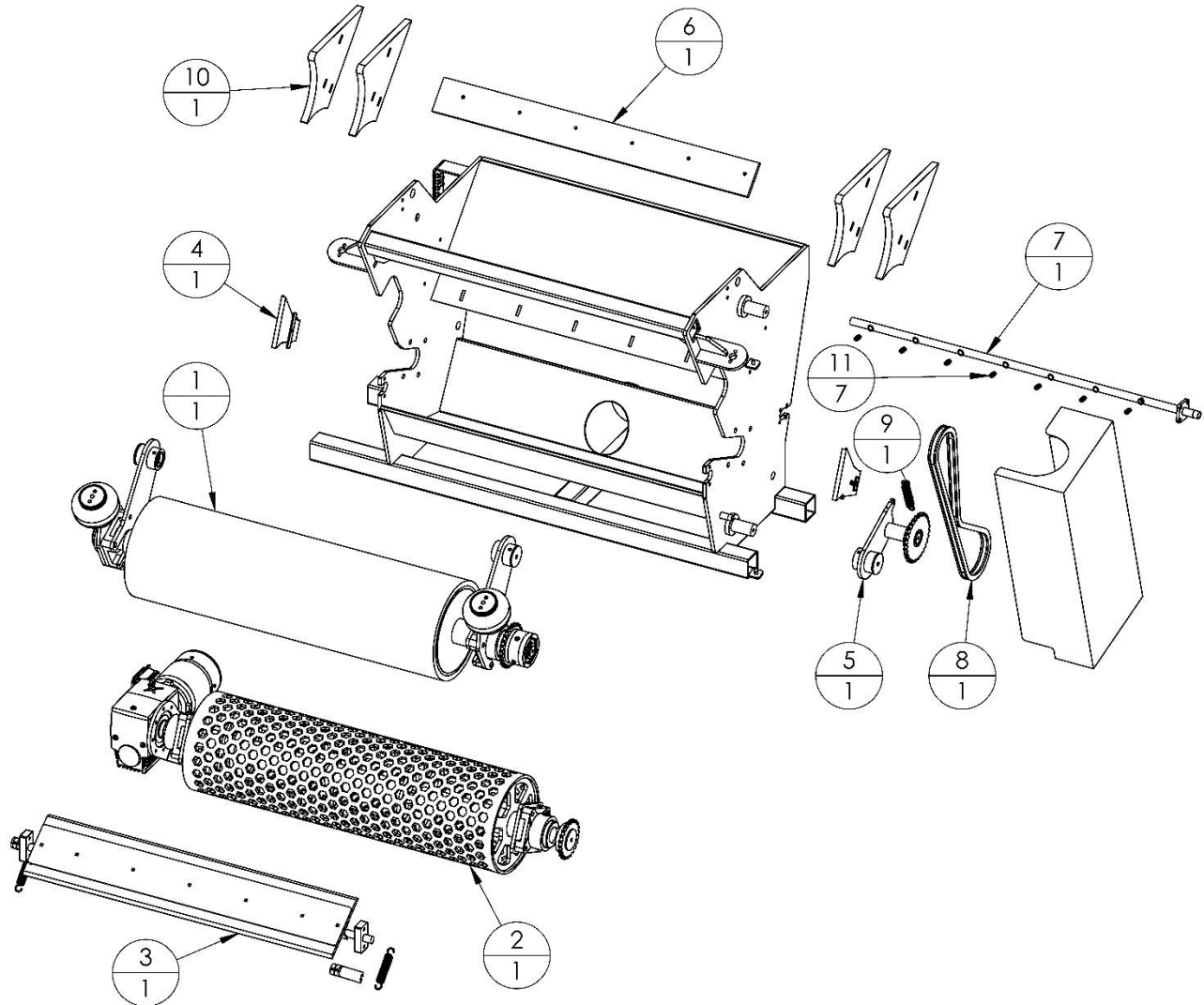
Part Manual



For Model:

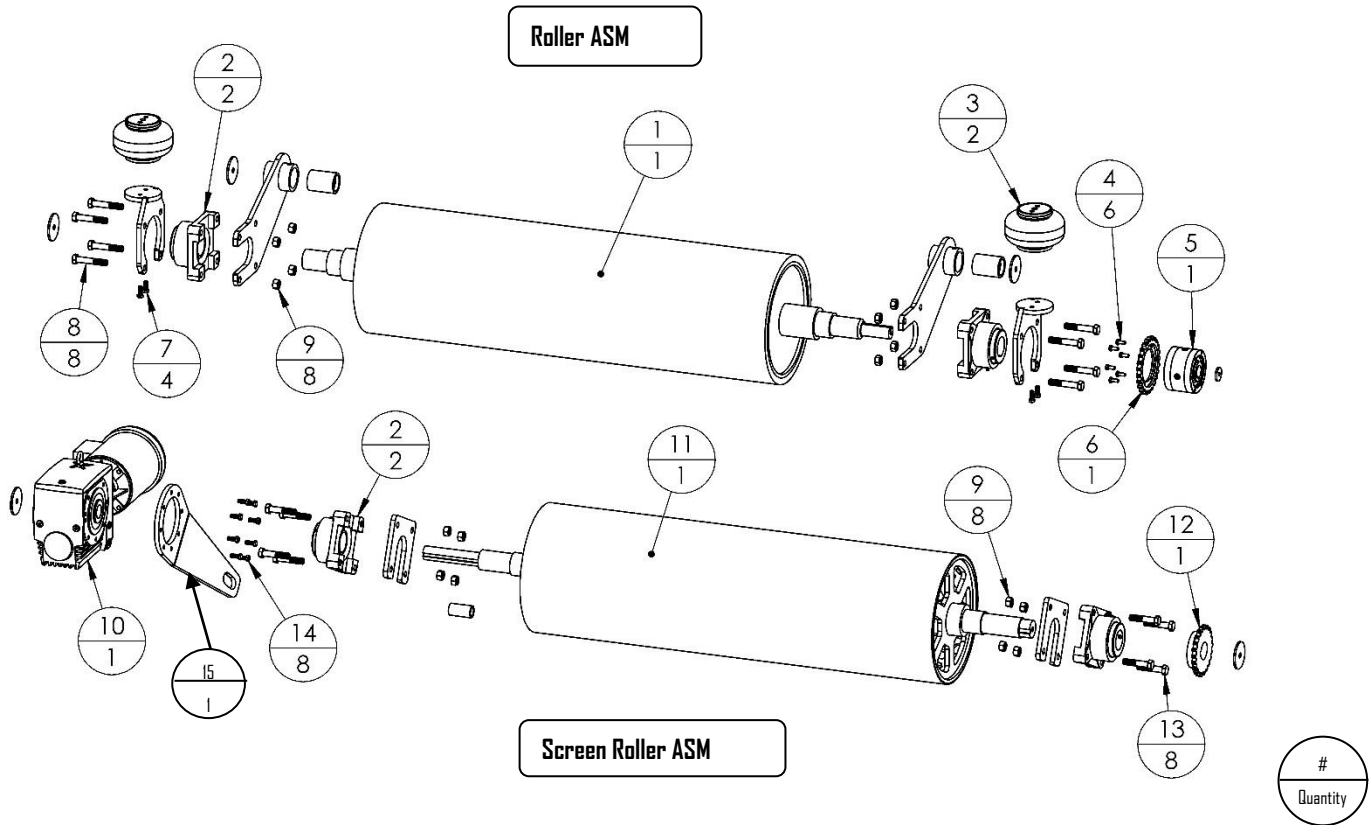
DT 2-Roller 48 Inch Air Press

DT 2-Roller 48 Inch Air Press – Components



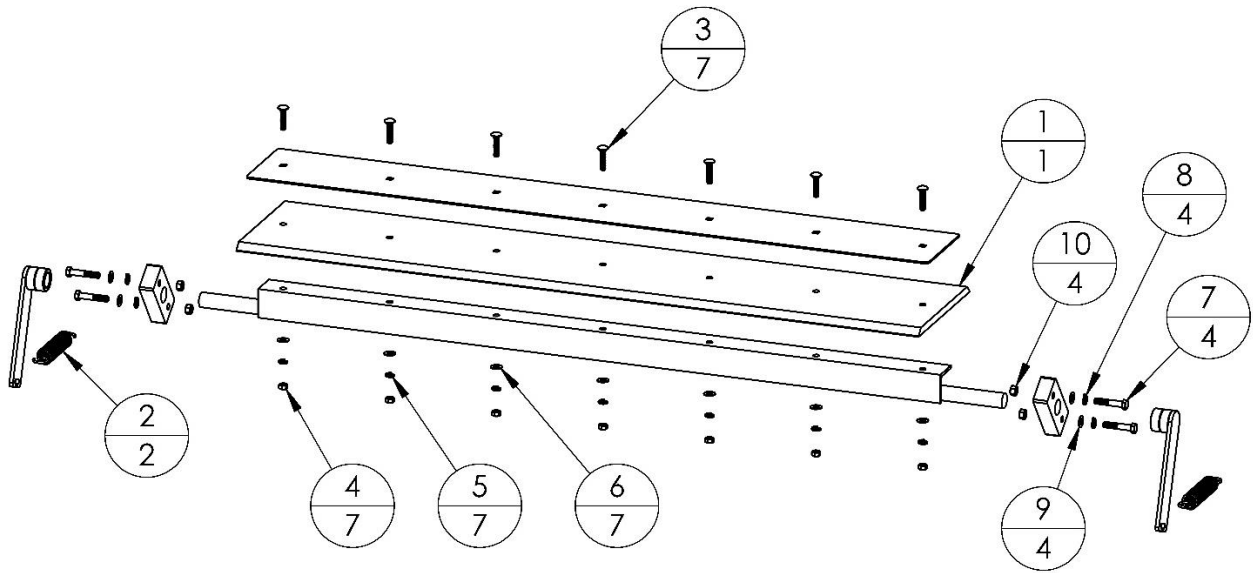
Label	Part #	Description
1	Reference Only	48" Roller ASM
2	Reference Only	48" Screen Roller ASM
3	A770	48" 2RP Scraper Assembly Complete w/ Arms & Springs
4	J283	Slot Plug DT RP Air (Left)
	C682	Slot Plug DT RP Air (Right)
5	A202	Idler Sprocket 28T
6	L173	Rubber Lip – 1 st Roller ½" Black Neoprene, Die L109NEQ
7	F534	Optional Spray Bar Complete Assembly with Spray Nozzles
8	E296	Aqua Anti-Corrosive Drive 6' Chain (sold by the foot)
	O109	60 Aqua Chain Connector Link
	N180	60 Aqua Chain Off Set Link
9	P855	Stainless Steel Extension Spring – 4-1/2" – 52.08ft/in
10	X878	1" UHMW Roller Press Guide
11	C790	Spray Bar Replacement Spray Nozzle

DT 2-Roller 48 Inch Air Press - Scraper Assembly



Labels	Part #	Description
1	W383	DT RP 48" Replacement Gum Roller
2	C177	4 Bolt Flange Bearing
3	G642	8.5" Bellow Air Bag
4	5277	5/16"-16 X 1" SS Bolt
5	N659	Clutch Bearing Assembly
6	R123	25 Tooth 60 Clutch Drive Sprocket
7	0443	3/8"-16 X 1" SS Bolt
8	B718	5/8"-11 X 3-1/2" SS Bolt
9	R655	5/8"-11 SS Nut
10	X641	2HP / 3PH Motor & Gearbox Assembly
10a	Q139	Gearbox Only
10b	T867	Motor only
11	P396	DT RP 48" Screen Roller Replacment
	M619	1/8" SS Screen Wrap Only For 48" Screen Roller
12	K349	22 Tooth 60 Series B Sprocket
13	N531	5/8"-11 X 3-1/2" SS Bolt
14	0443	3/8"-16 1" SS Bolt
15	L446	Torque Arm, Nord Gear Motor

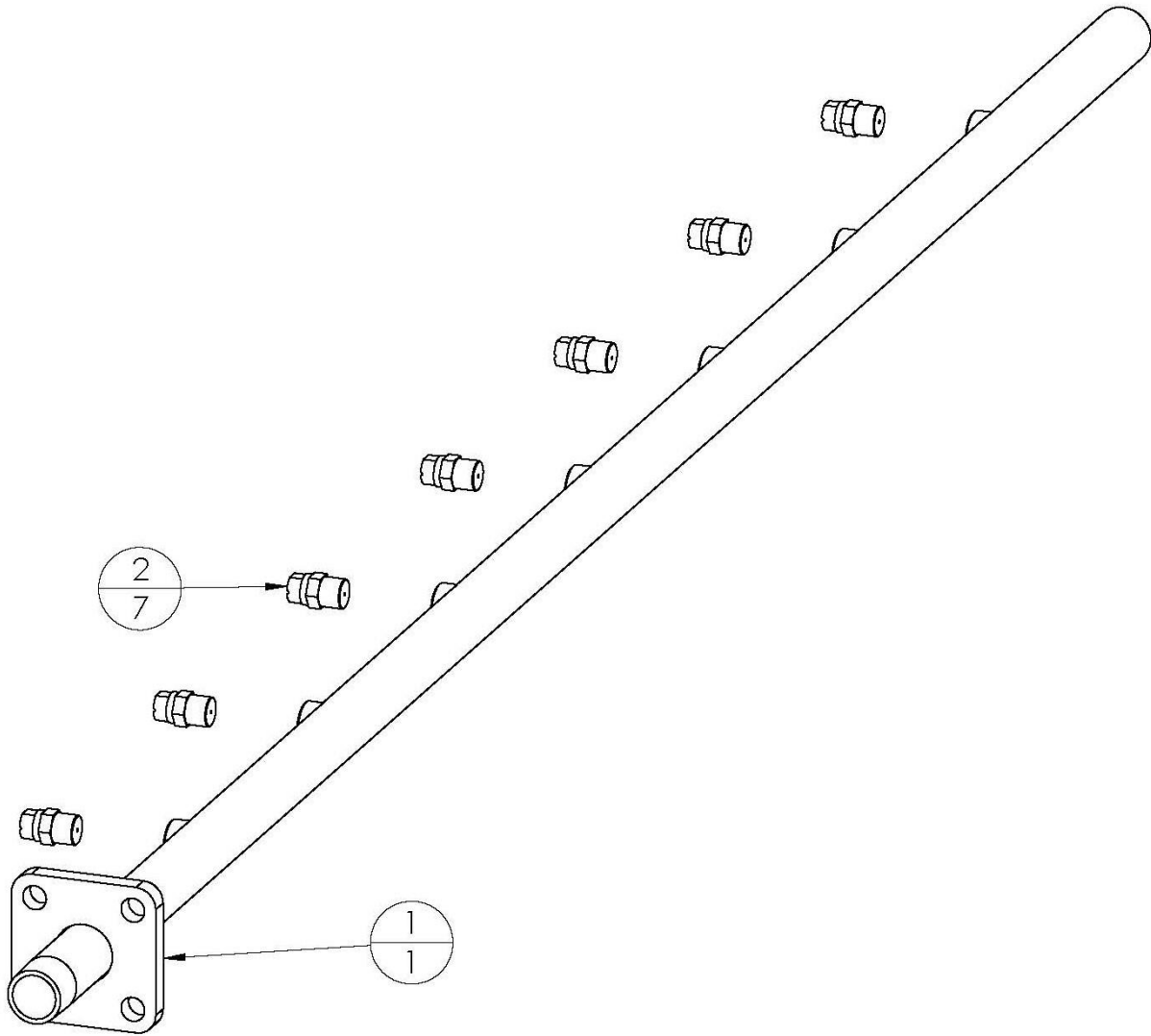
DT 2-Roller 48 Inch Air Press - Scraper Assembly



Label	Part #	Description
1	C192	48 Inch Screen Scraper DT RP
2	S660	6" SS Spring
3	V307	5/16"-18 X 1-1/2" Carriage Bolt
4	S581	5/16" SS Nut
5	T829	5/16" SS Lock Washer
6	Q797	5/16" SS Flat Washer
7	K895	3/8"-16 X 2" SS Bolt
8	G736	3/8" SS Lock Washer
9	E143	3/8" SS Flat Washer
10	P398	3/8" SS Nut

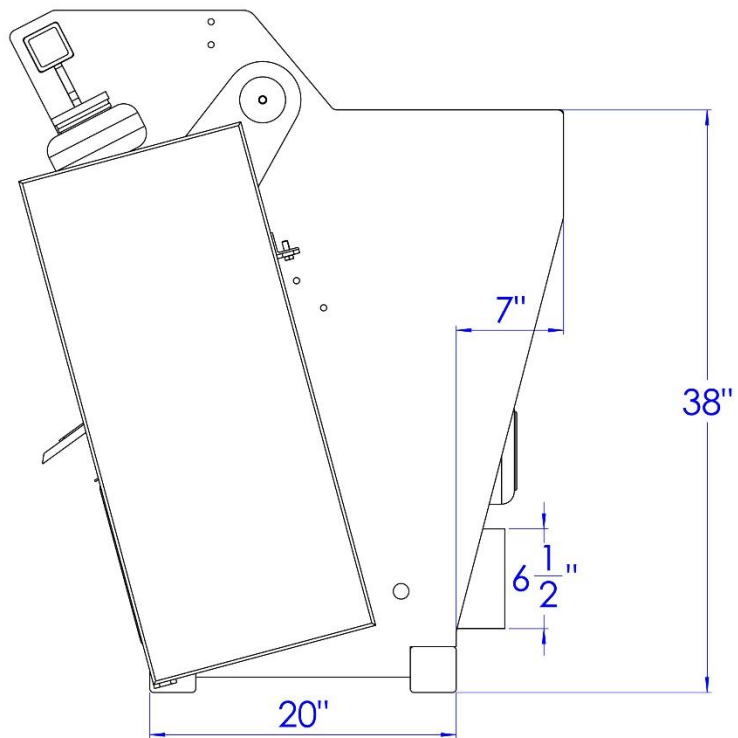
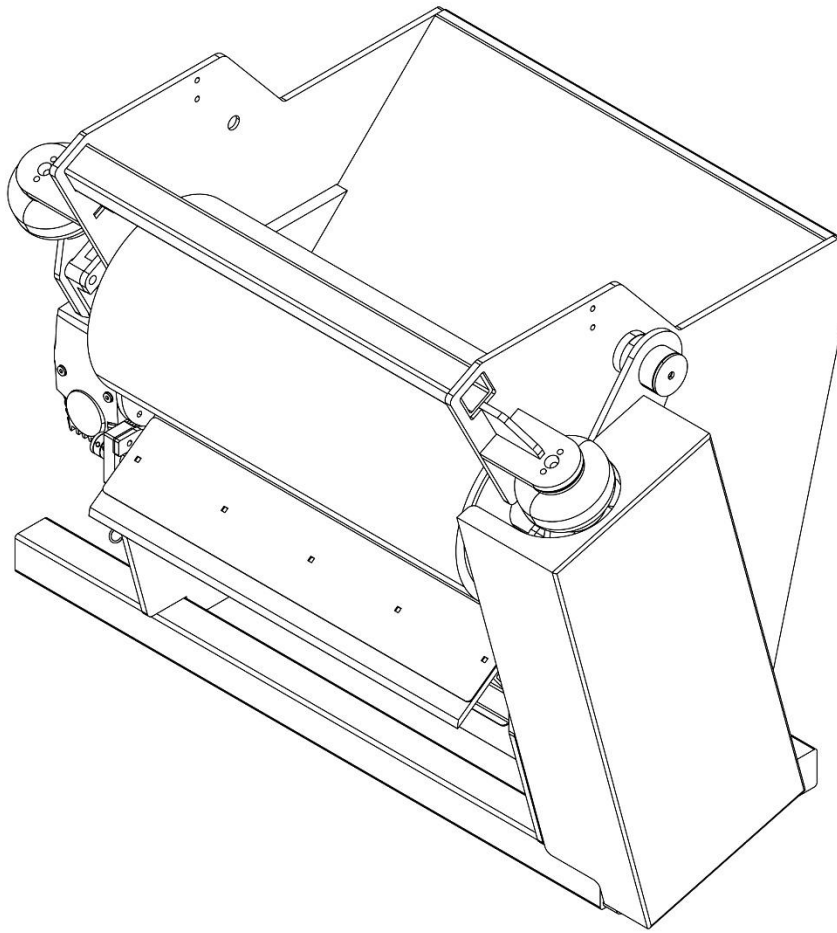
*Items not listed are considered non-common replacement parts and can be custom ordered upon request.

DT 2-Roller 48 Inch Air Press – Optional Spray Bar

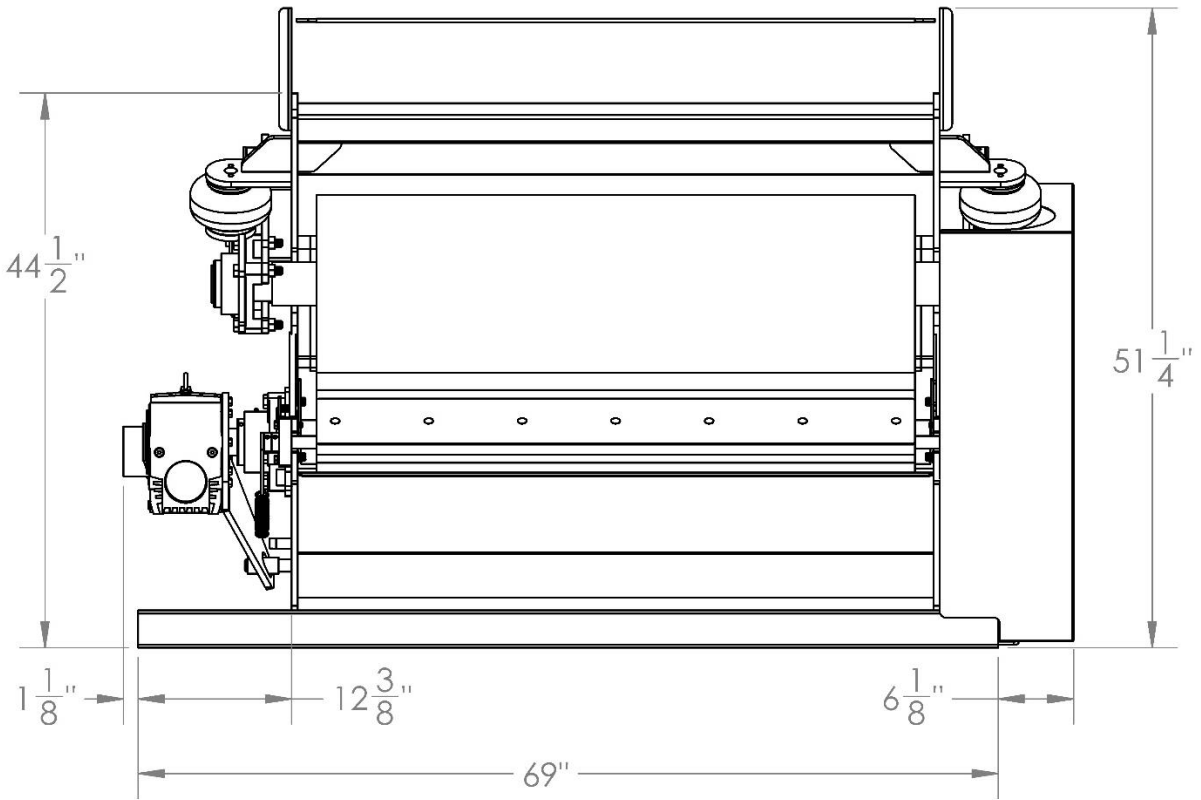
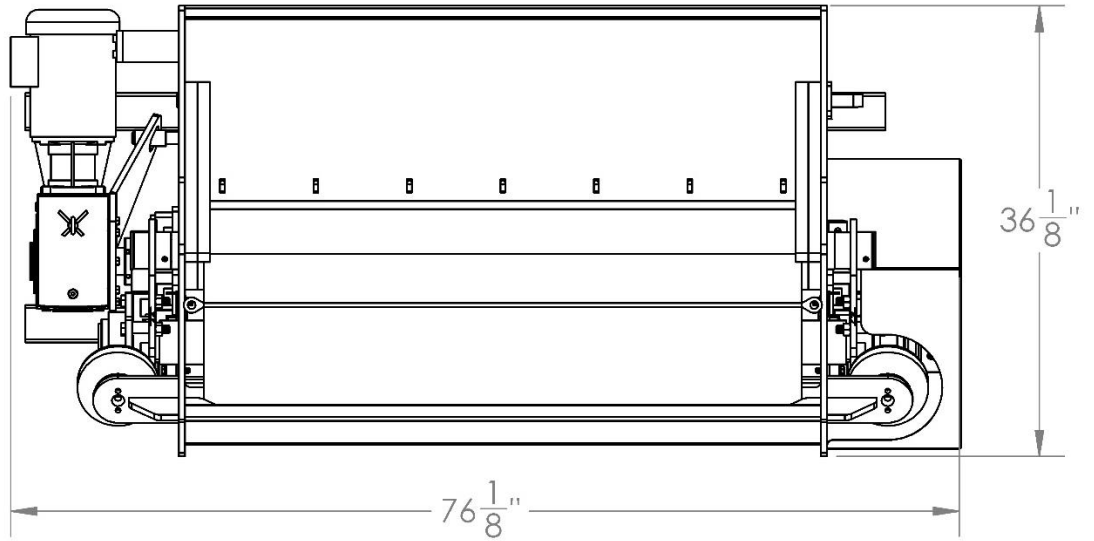


Label	Part#	Description
1	F534	Optional Spray Bar With Nozzles
2	R455	Nozzles Only

DT 2-Roller 48 Inch Air Press - Overall Dimensions



DT 2-Roller 48 Inch Air Press - Overall Dimensions



For Technical Support, to order Replacement Parts, or for questions about other products, please contact your local dealer.
