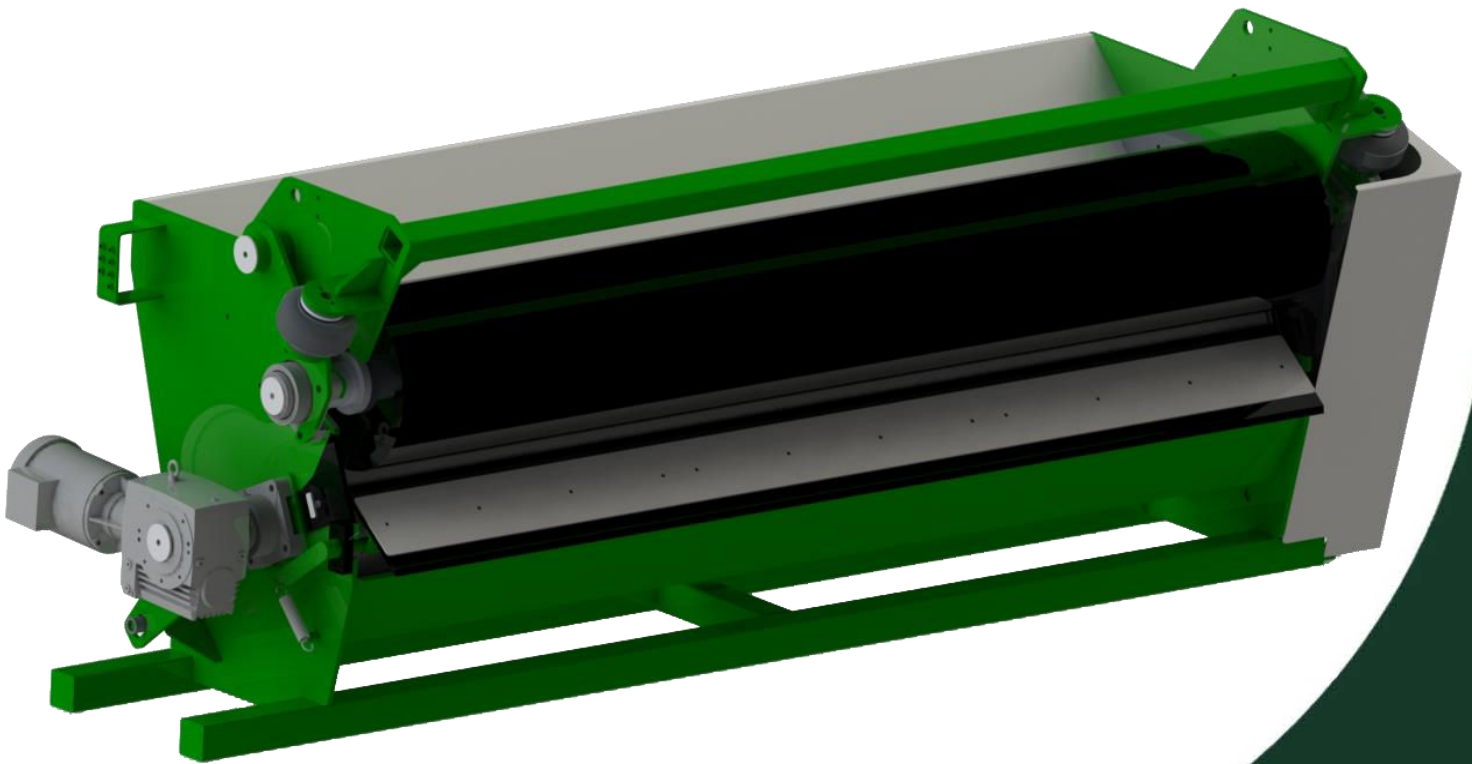




DT Roller Press Separator

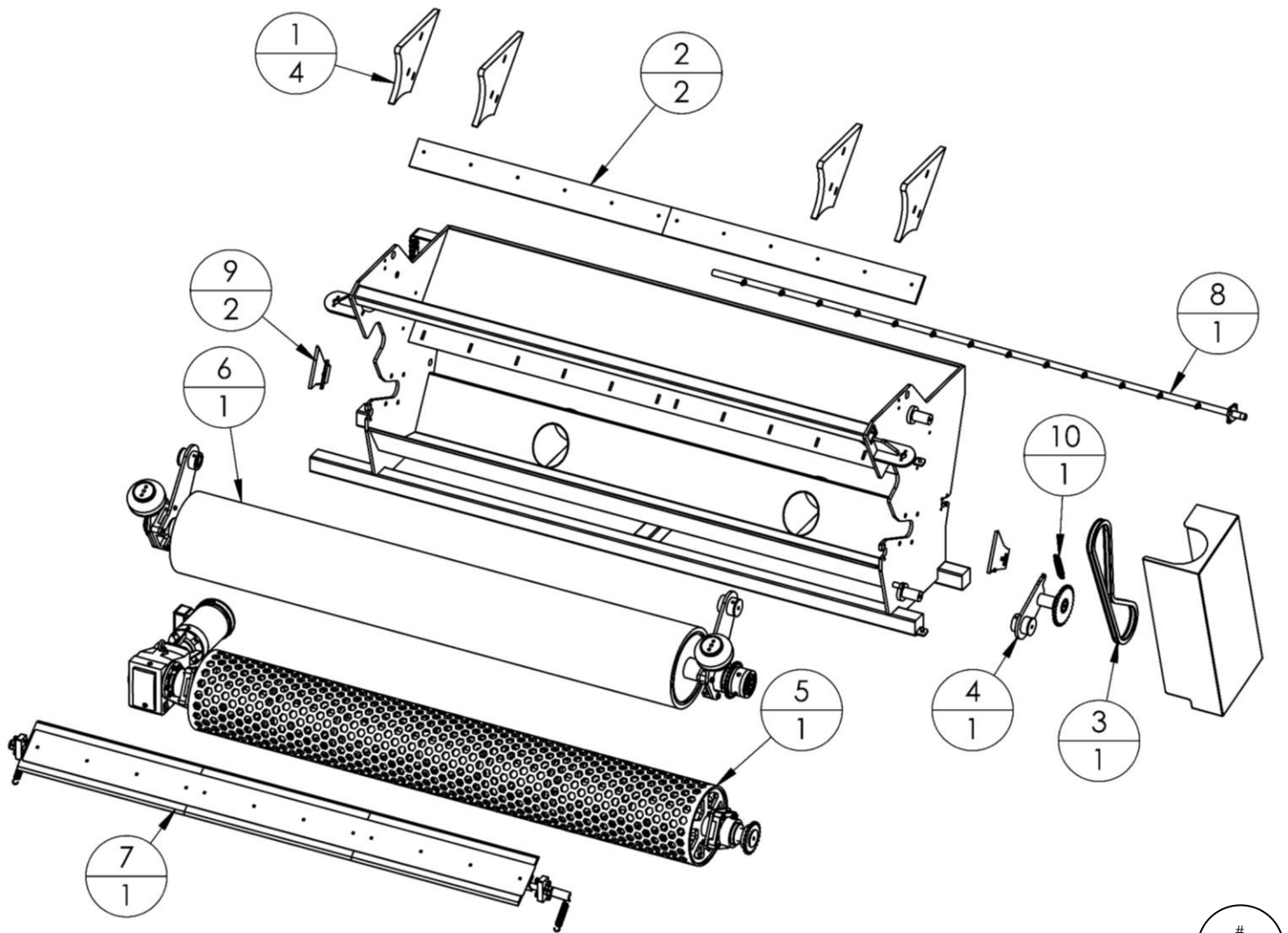
Part Manual



For Model:

DT 2-Roller 96 Inch Air Press – Rev. 1.1

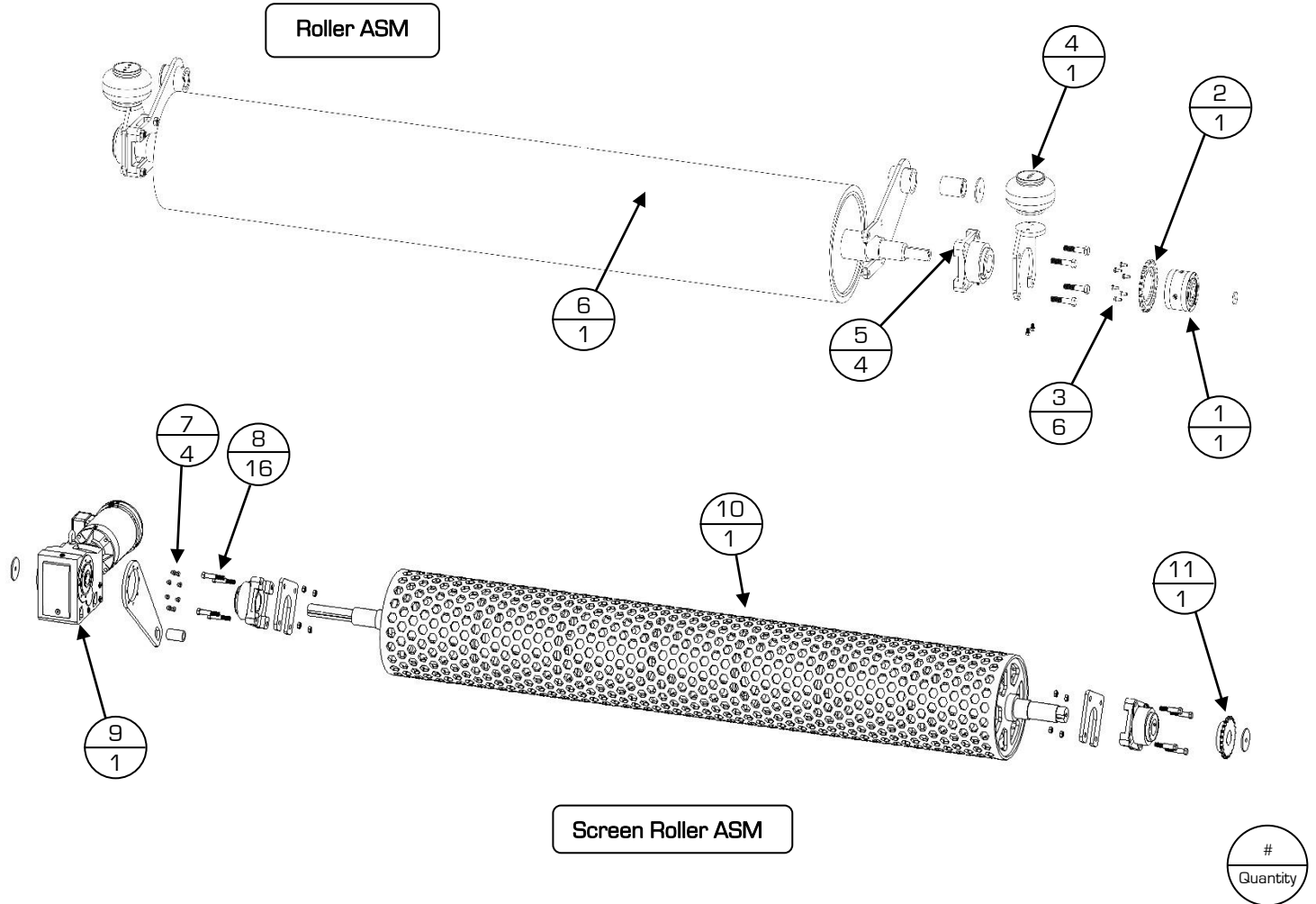
DT 2-Roller 96 Inch Air Press – Components



#
Quantity

Label	Part #	Description
1	X878	1" UHMW Roller Press Guide
2	G895	Rubber lip seal - 8-ft 2-roller press, 1/2" black rubber
3	E296	Aqua Anti-Corrosive Drive 6' Chain (Sold by the foot)
	O109	60 Aqua Chain Connector Link
	N180	60 Aqua Chain Off Set Link
4	A202	Idler Sprocket 28T
5	-	Screen Roller ASM
6	-	Roller ASM
7	O740	96" 2RP Scraper ASM Complete w/ Arms & Springs
8	M795	Spray Bar - Replacement Spray Nozzle [Optional]
9	J283	Slot Plug DT RP Air (Left)
	C682	Slot Plug DT RP Air (Right)
10	P855	Stainless Steel Extension Spring - 4-1/2" - 52.08 lb/in

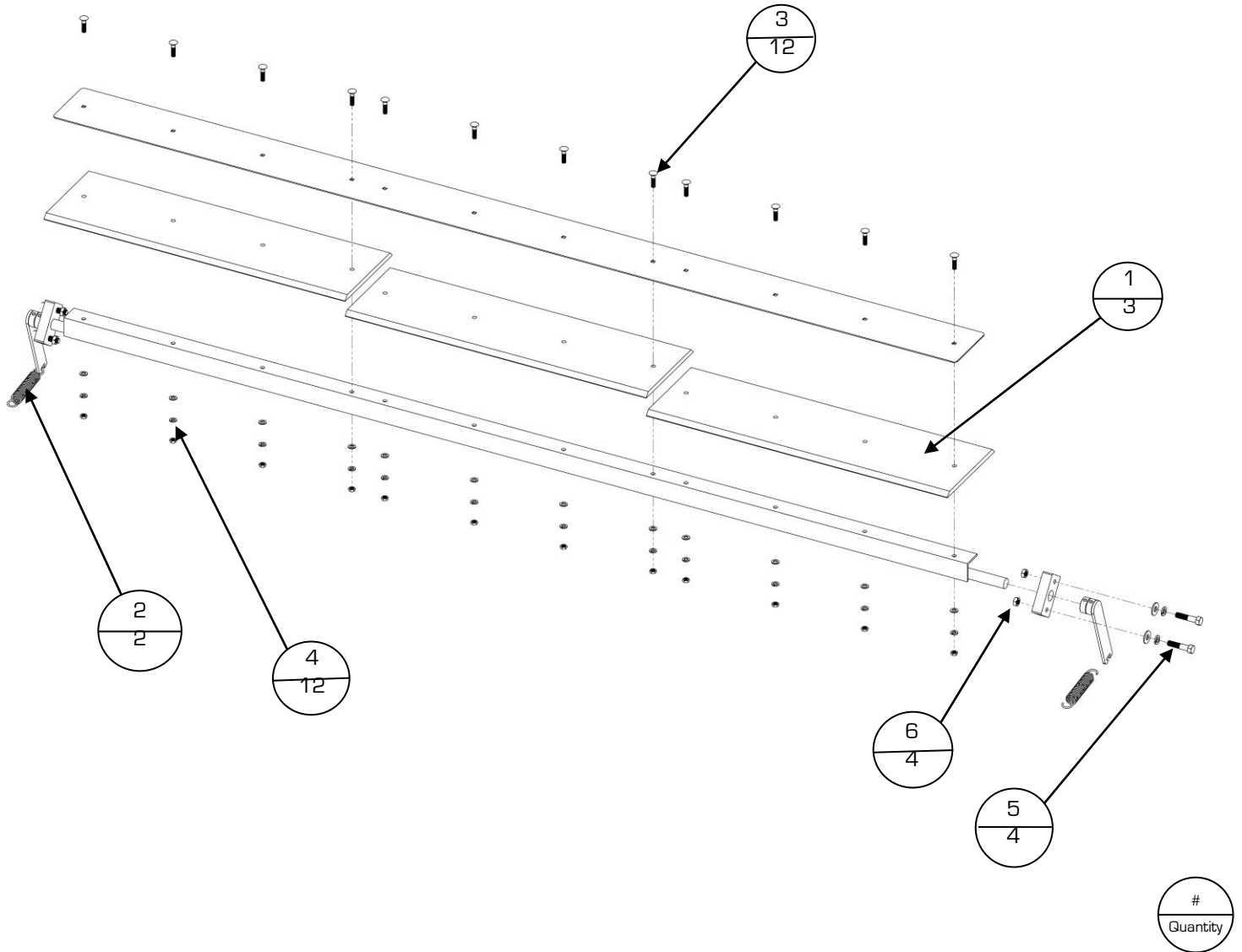
DT 2-Roller 96 Inch Air Press - Roller Assembly



Label	Part #	Description
1	N659	Clutch Bearing Assembly
2	R123	25 tooth 60 Clutch Drive Sprocket
3	U872	5/16" X 3/4" Fine Tread GR. 8 Hex Bolt
4	G642	8.5in Bellow Air Bag
5	C177	4 Bolt Flange Bearing
6	P765	DT RP Replacement Rubber Roller 96"
7	O443	3/8"-16 X 1" SS Bolt
8	B718	5/8"-11 X 3-1/2"SS Bolt
9	V512	Nord Gearbox - 2HP w/ Motor 3 ph. 78.89:1 (96" RP)
	T861	Nord Gearbox Only 2HP 78.89:1 (96" RP)
	A189	Nord Motor 2 HP 140TC 3 PH 50/60
10	B596	DT RP Replacement Screen Roller 96"
	B509	1/8" SS Screen Wrap Only For 96" Screen Roller
11	K349	22 tooth 60 series B sprocket

*Items not listed are considered non-common replacement parts and can be custom ordered upon request.

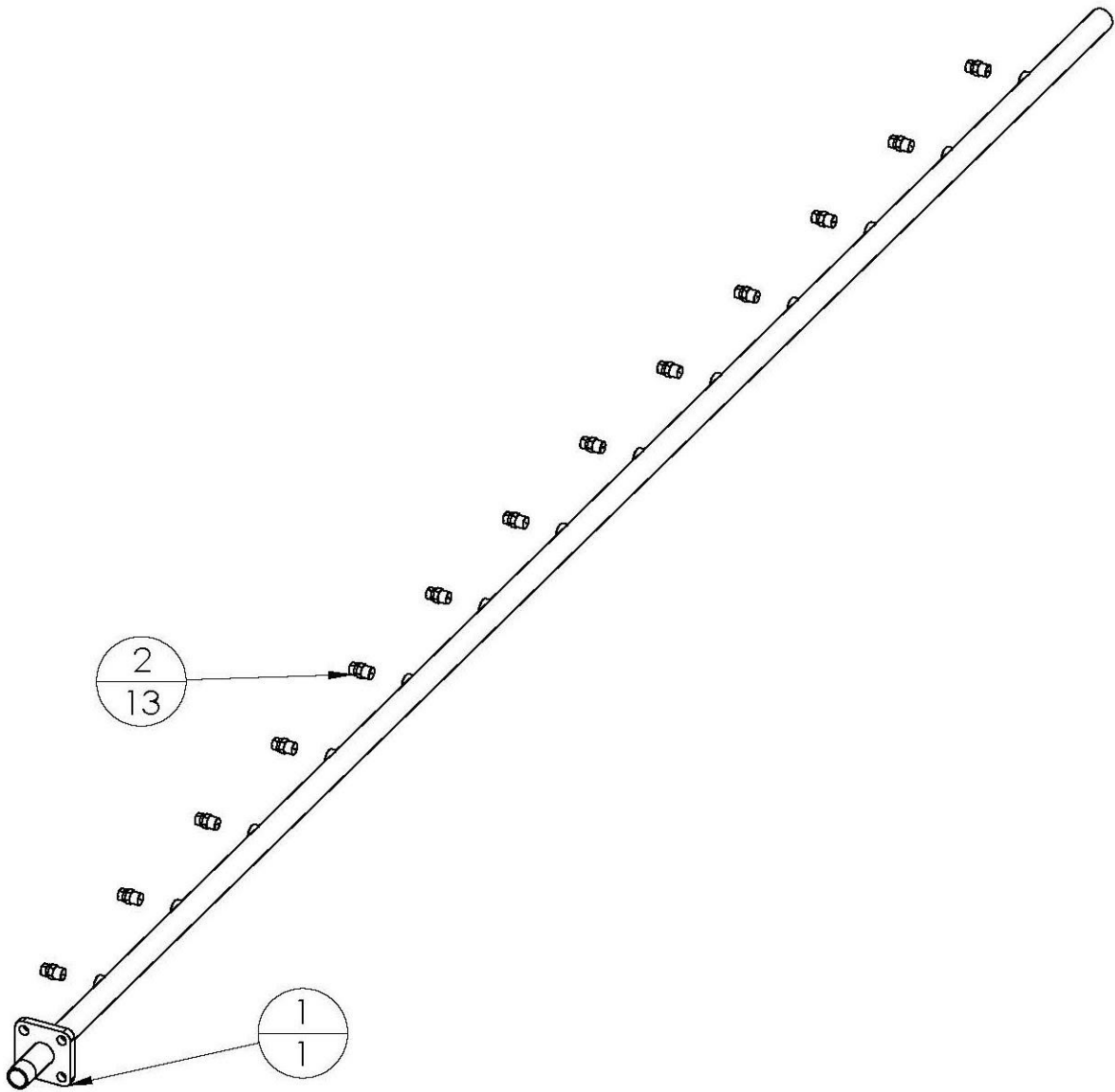
DT 2-Roller 96 Inch Air Press - Scraper Assembly



Label	Part #	Description
1	V677	96" Screen Scraper DT RP
2	S660	6" SS Spring
3	V307	5/16"-18 X 1-1/2" Carriage Bolt
4	S581	5/16" SS Nut
	T829	5/16" SS Lock Washer
	Q797	5/16" SS Flat Washer
5	K895	3/8"-16 X 2" SS Bolt
	G736	3/8" SS Lock Washer
	E143	3/8" SS Flat Washer
6	P398	3/8" SS Nut

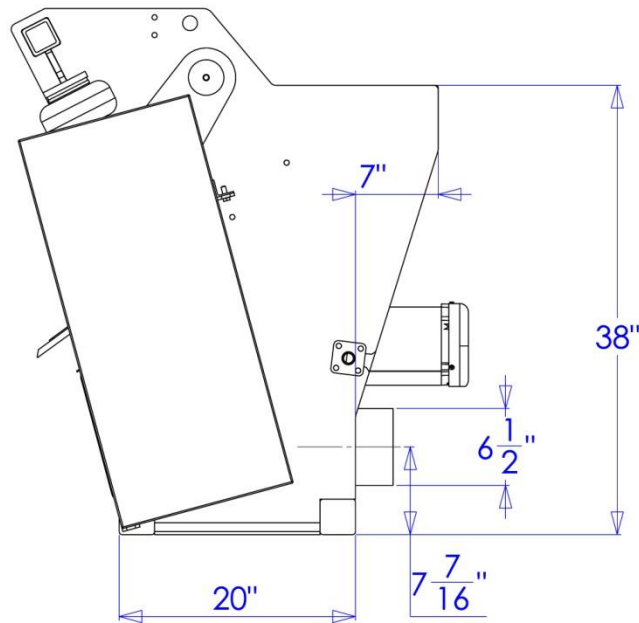
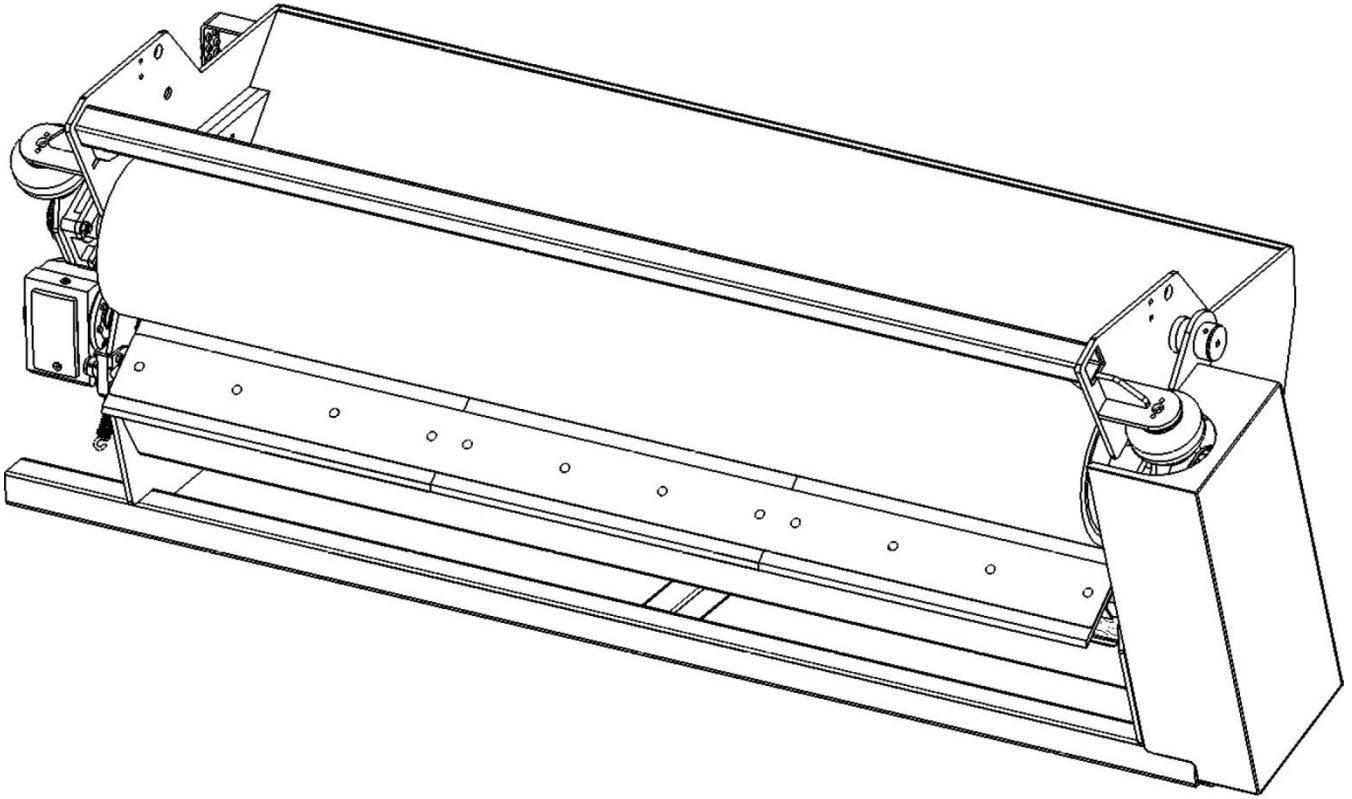
*Items not listed are considered non-common replacement parts and can be custom ordered upon request.

DT 2-Roller 96 Inch Air Press – Optional Spray Bar

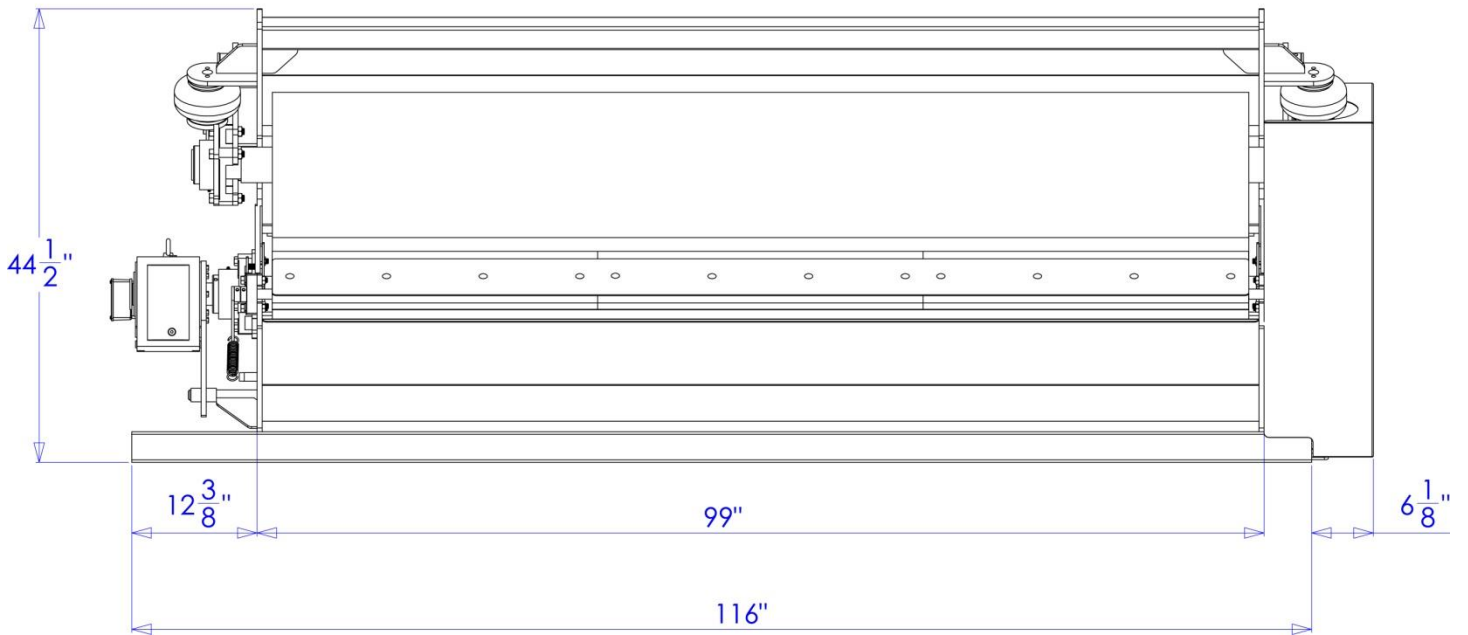
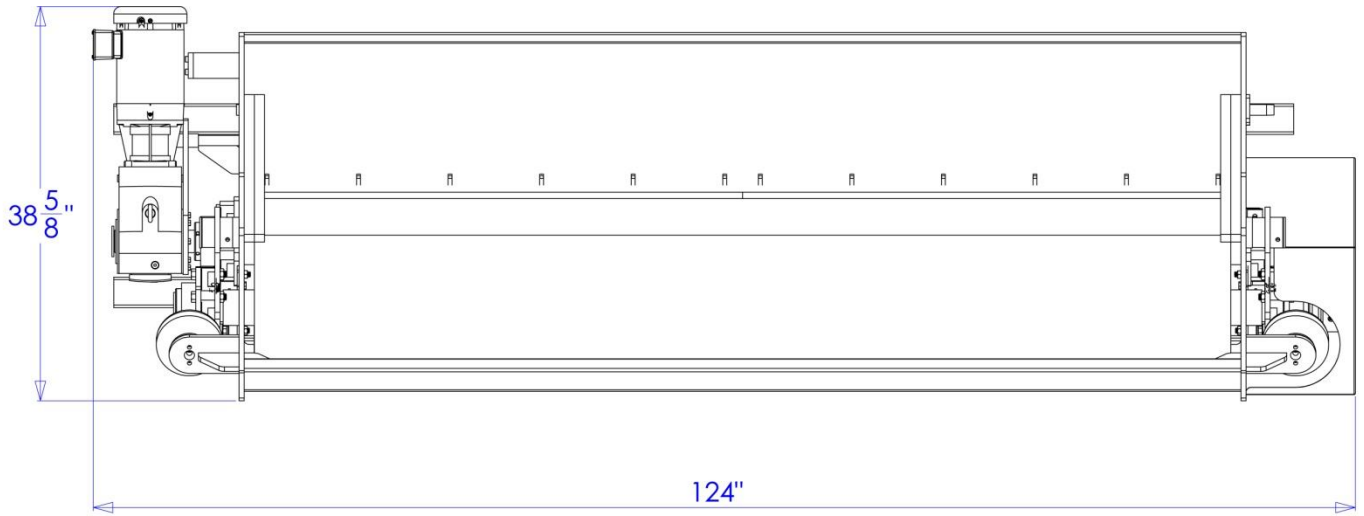


Label	Part #	Description
1	U571	Spray Bar With Nozzles
2	R455	95- 10 Nozzles Only

DT 2-Roller 96 Inch Air Press - Overall Dimensions



DT 2-Roller 96 Inch Air Press - Overall Dimensions



For Technical Support, to order Replacement Parts, or for questions about other products, please
contact your local dealer.
