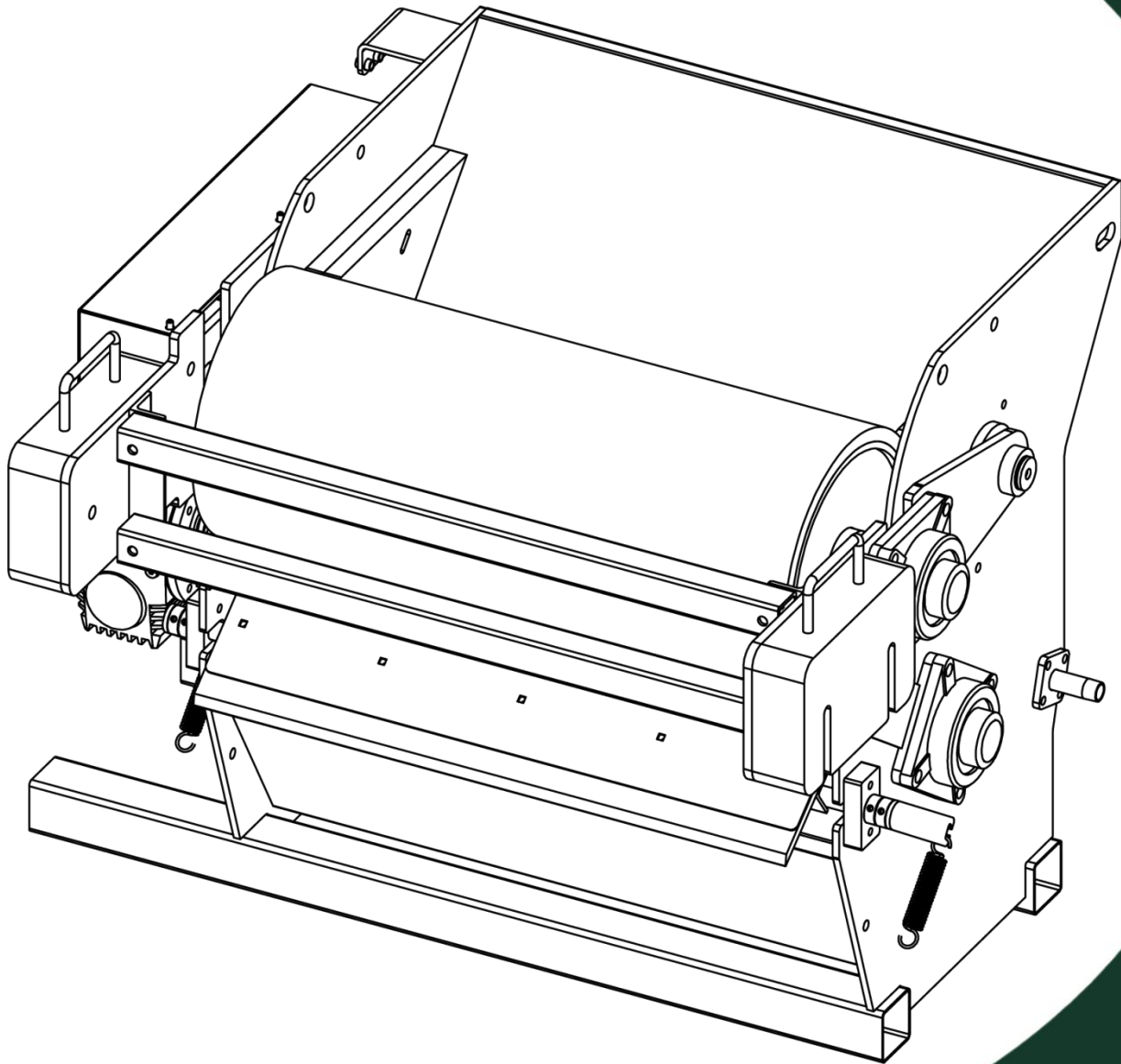




# DT Roller Press Separator

## Part Manual

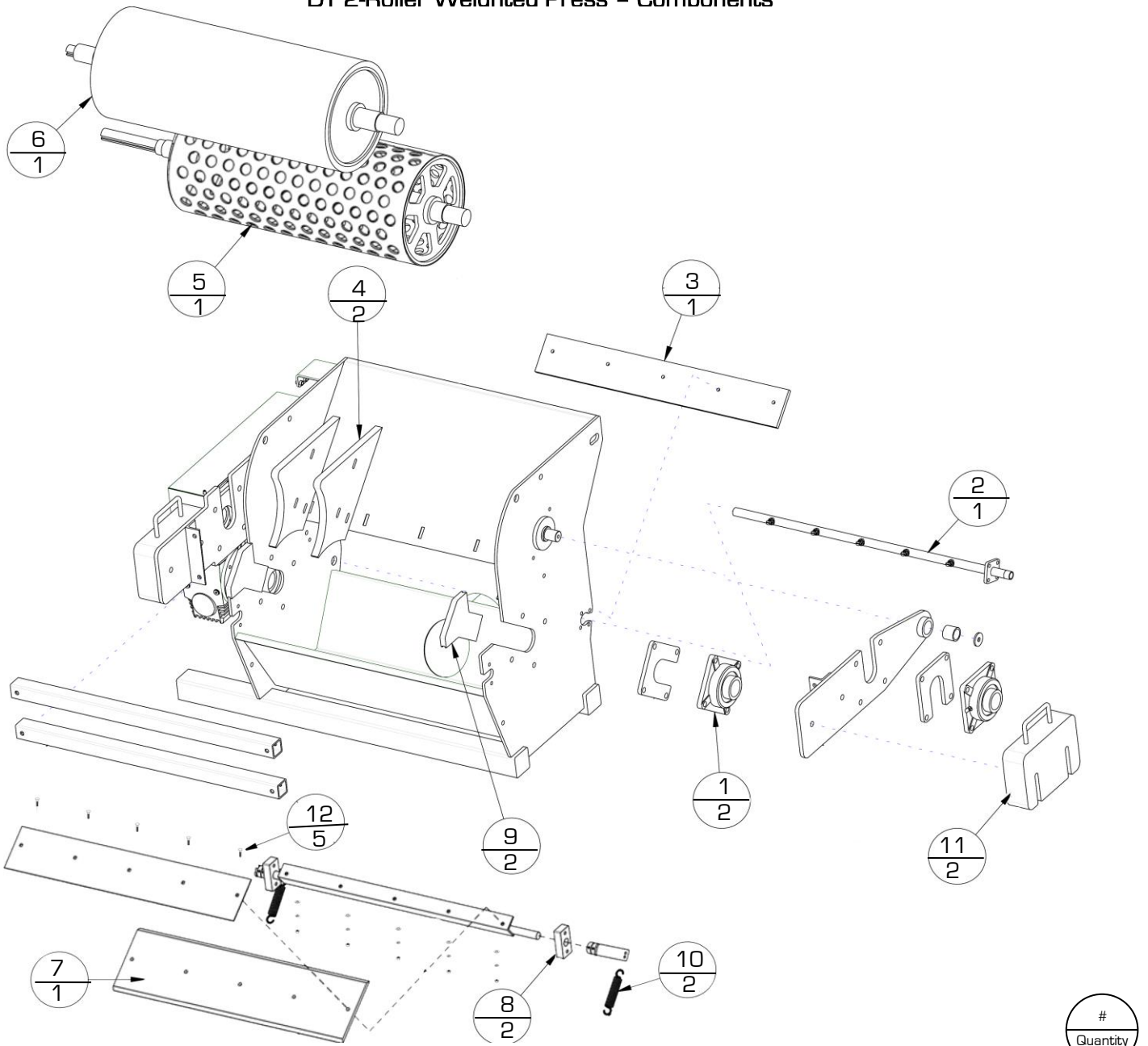


For Model:

**DT 2-Roller Weighted Press**

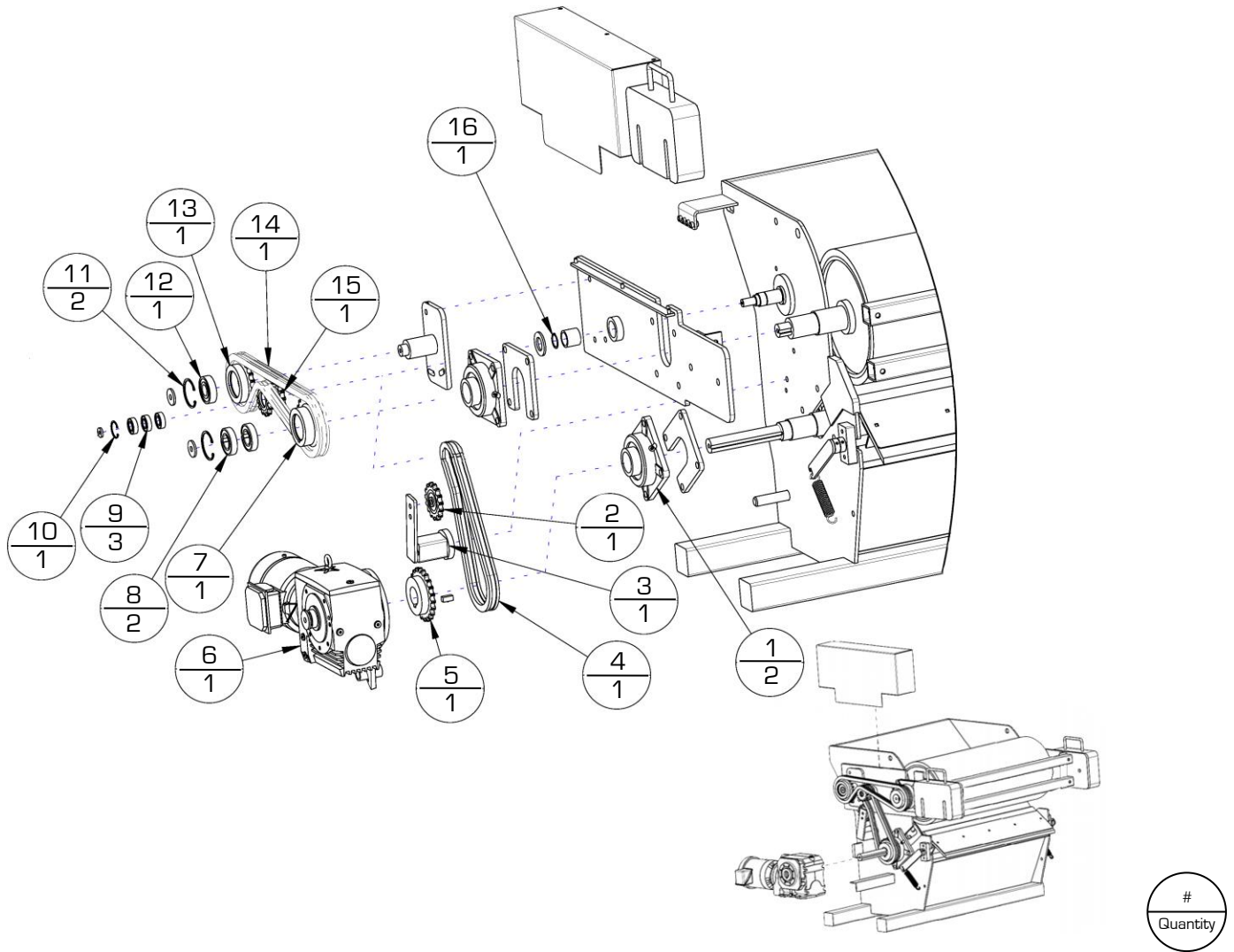


## DT 2-Roller Weighted Press – Components



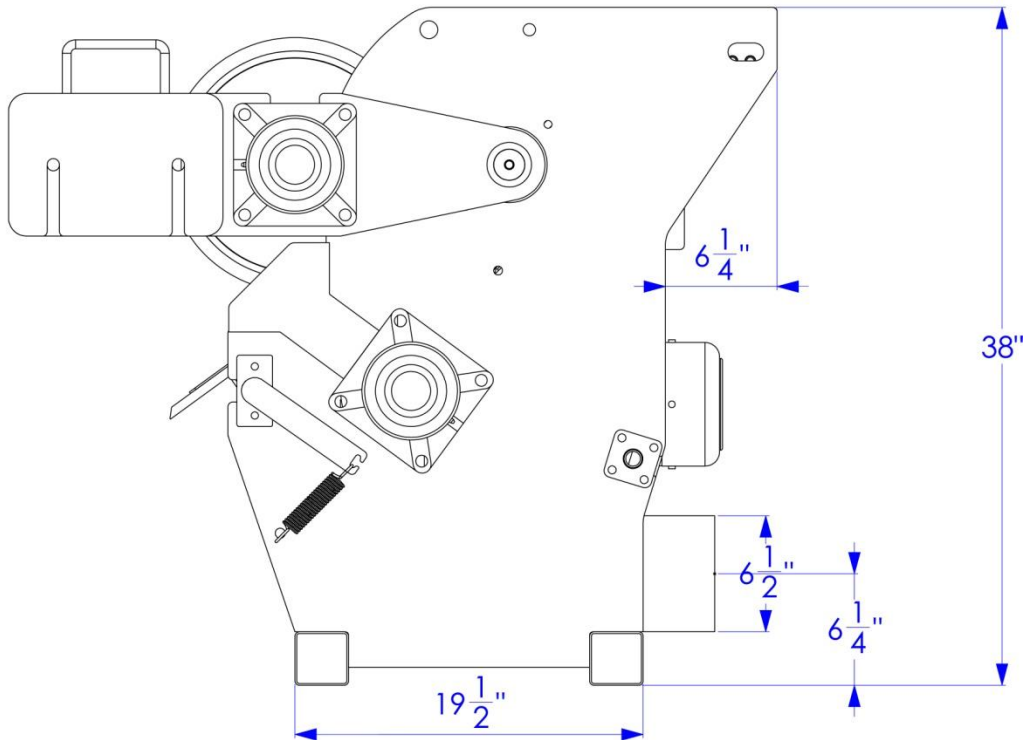
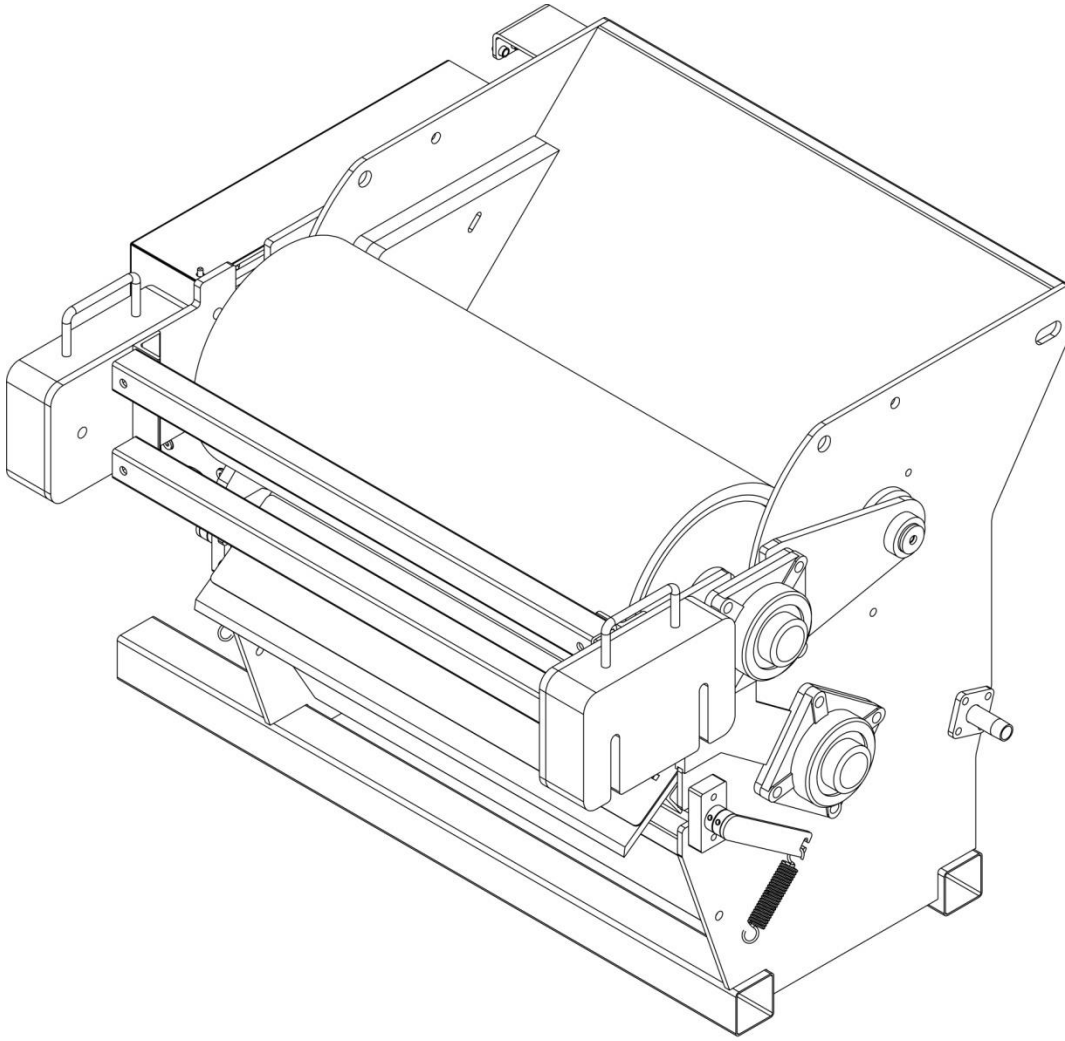
Label	Part #	Description
1	Z697	2-3/16"4 bolt Flange Bearing
2	M795	Spray Bar - Replacement Spray Nozzle
3	Z298	1/2" Roller Press Rubber Lip
4	X878	Roller Press Guide 1" UHMW
5	N155	Replacement Screen Roller
6	J280	Replacement Rubber Roller
7	L640	UHMW Screen Scraper 34"
8	Q195	UHMW Scraper Pivot Block
9	V306	Weighted Roller Slot Plug
10	S660	6" SS Spring
11	C755	Roller Press Counter Weight
	B468	34" 2RP Weighted RP Scraper ASM Complete w/ Arms & Springs
12	V307	5/16"-18 X 1-1/2" Carriage Bolt
	S581	5/16" SS Nut
	T829	5/16" SS Lock Washer
	Q797	5/16" SS Flat Washer

## DT 2-Roller Weighted Press – Drive Assembly

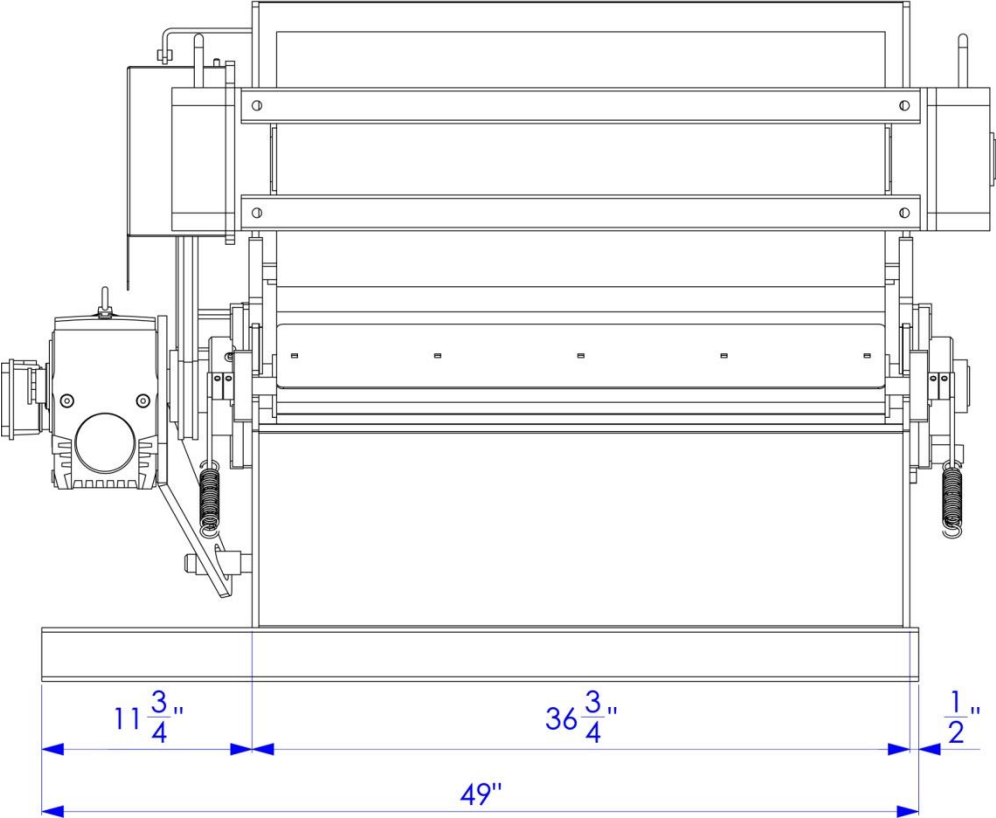
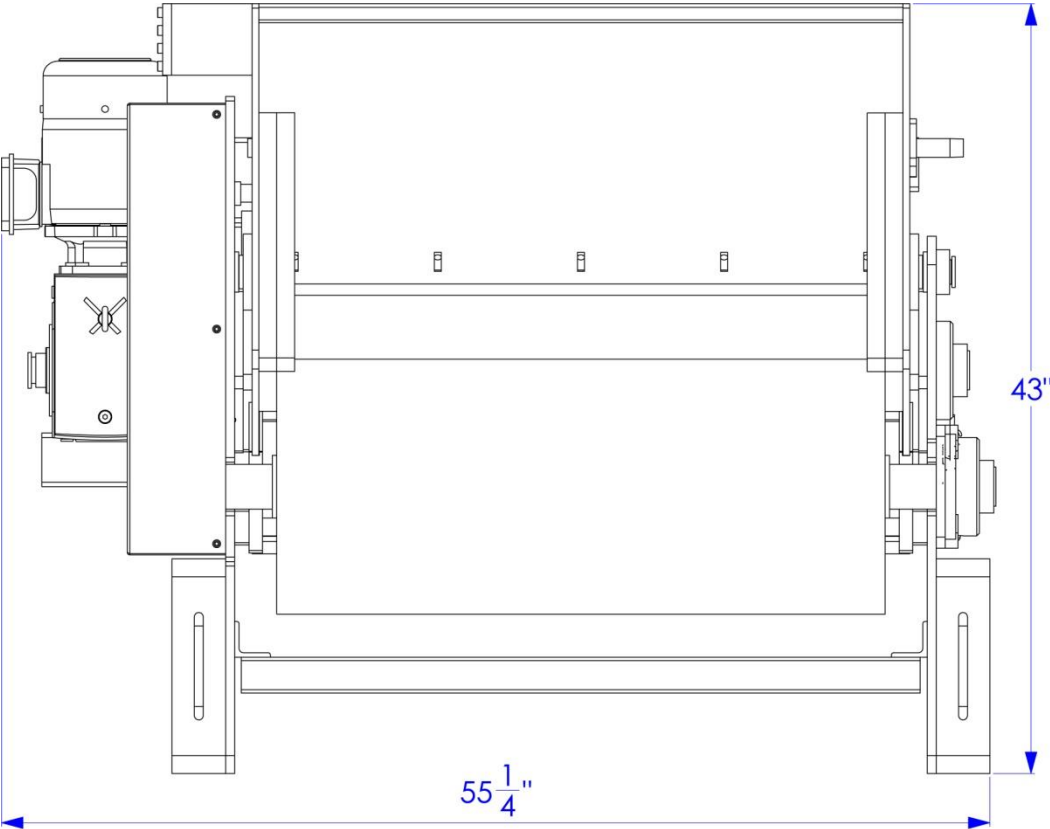


Label	Part #	Description	
1	Z697	2-3/16" 4 bolt Flange Bearing	
2	U520	15 Tooth 60 Series Idler Sprocket	
3	Z734	60 Chain Tensioner	
4	E296	Aqua Anti-Corrosive Drive Chain (40.5" OAL)	Sold by the foot
	O109	60 Aqua Connector Link	
	N180	60 Aqua Chain Offset Link	
5	K349	22 Tooth 60 Series Sprocket	
6	B685	Nord 1-1/2 HP Gear Motor Assembly 3 PH	
	Q139	Gearbox Only	
	Y197	Motor Only	
7	N148	60-25T Clutch Drive Sprocket	
8	K760	Clutch Bearing	
9	Q800	Bearing 20mm 6004	
10	P289	1-11/16" Internal Snap Ring	
11	C447	2-7/8" Internal Snap Ring	
12	K133	Bearing 30mm 6306	
13	J277	60-23T idler Tensioner Sprocket	
14	E296	Aqua Anti-Corrosive Drive Chain (54" OAL)	Sold by the foot
15	V659	60/ 2-13T center Idler Sprocket	
16	C634	1-3/8" External Snap Ring	

# DT 2-Roller Weighted Press - Overall Dimensions



DT 2-Roller Weighted Press - Overall Dimensions





---

For Technical Support, to order Replacement Parts, or for questions about other products,  
please contact your local dealer.

---