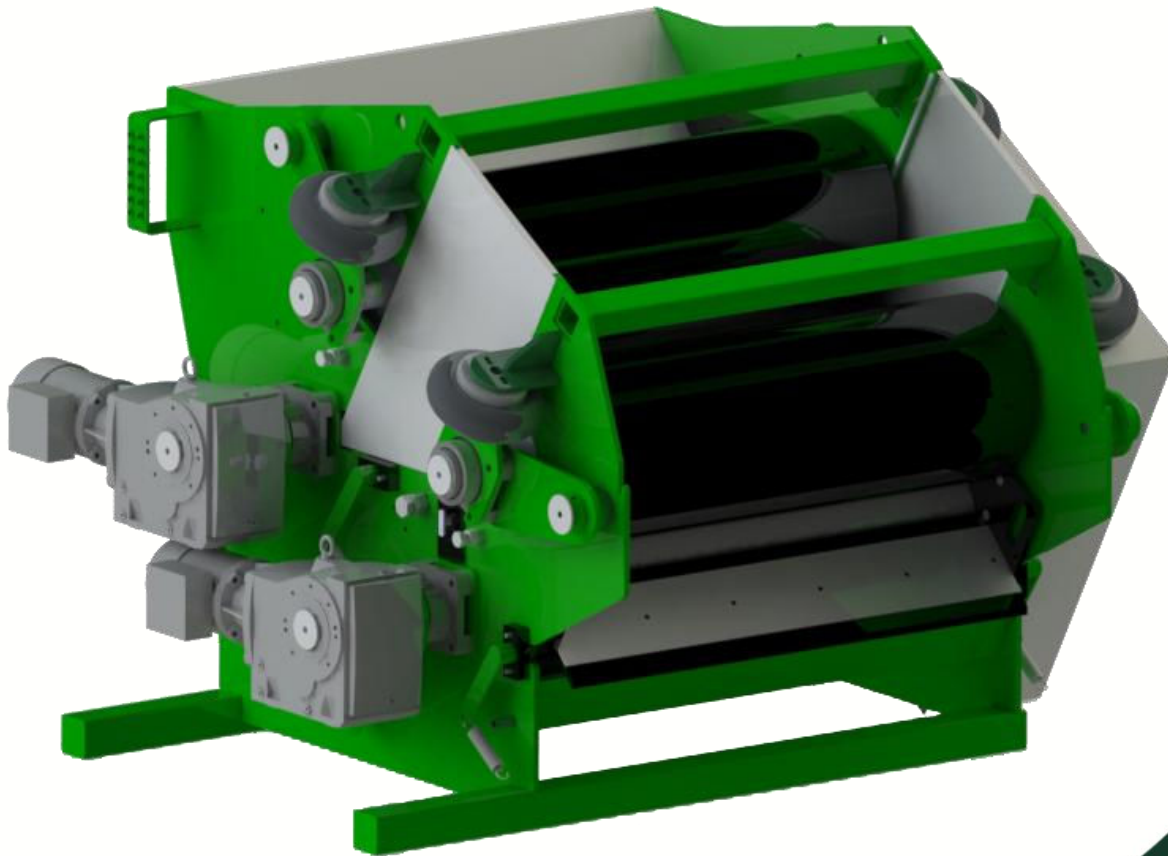




DT Roller Press Separator

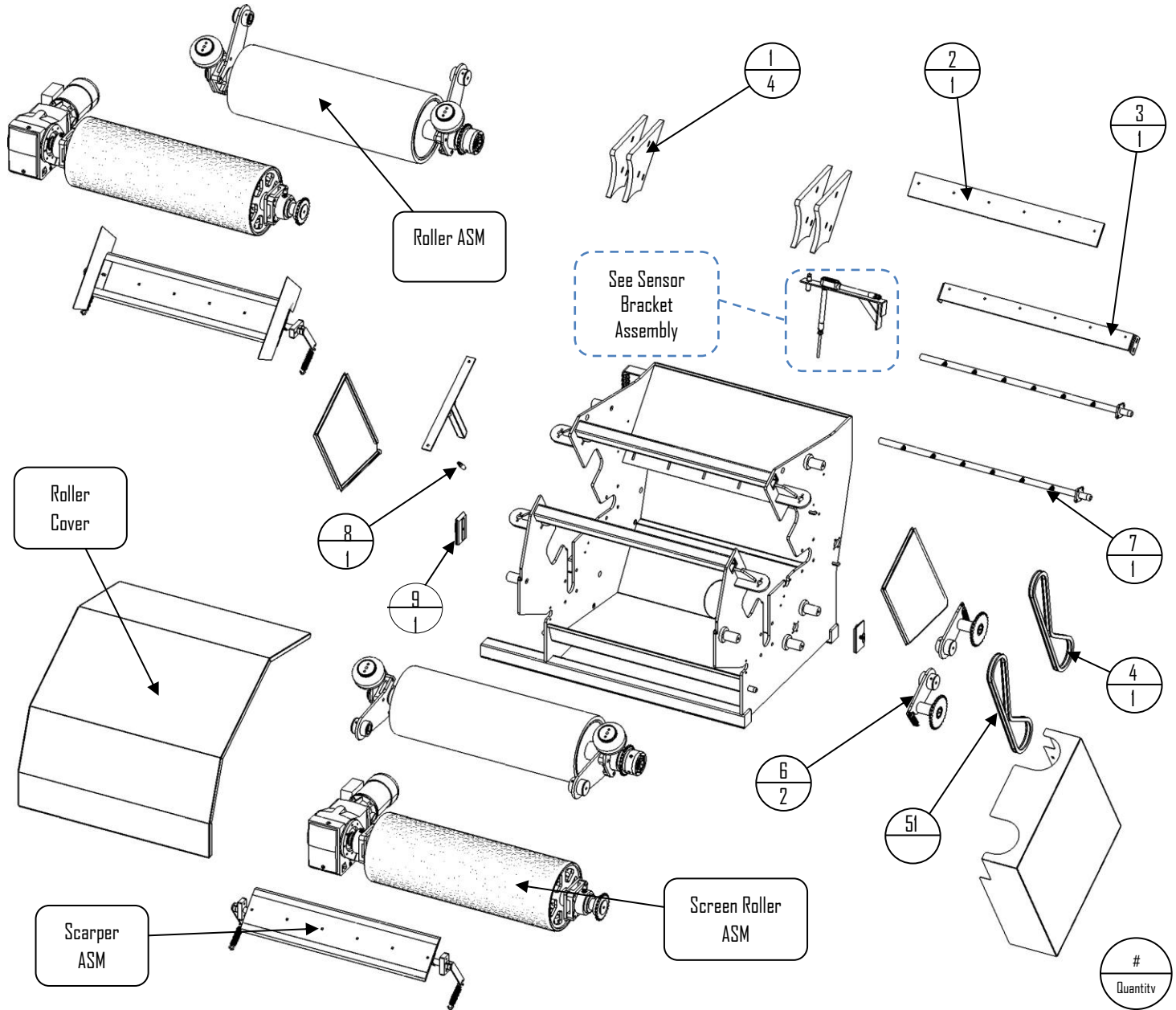
Part Manual



For Model:

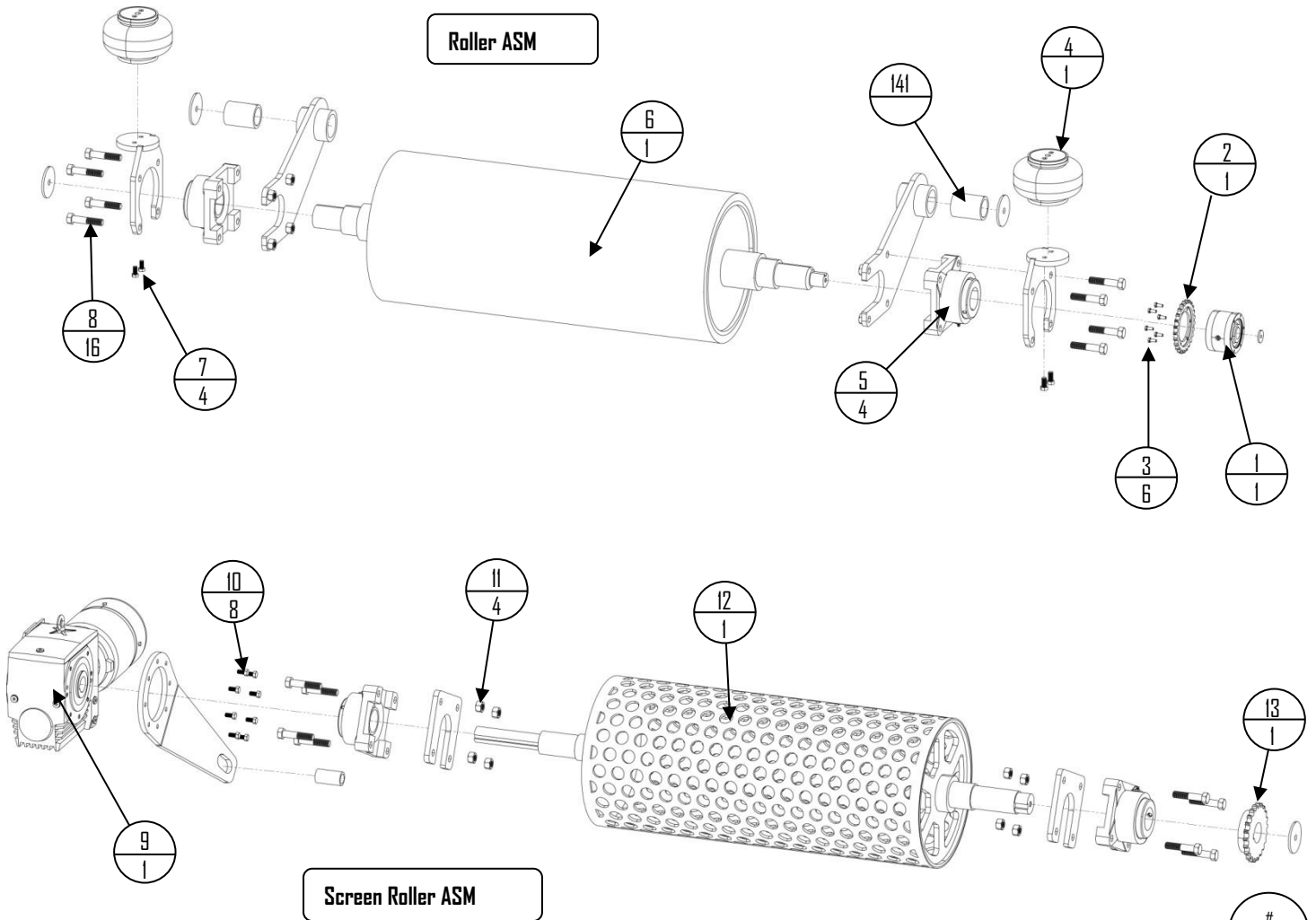
DT 4-Roller Air Press

DT 4-Roller Air Press - Components



Label	Part #	Description
1	X878	1" UHMW Roller Press Guide
2	M498	Rubber lip seal - 1st roller 4-roller press, 1/2" black rubber
3	L246	Rubber lip seal - 2nd roller 4-roller press, 1/2" black rubber
4	N783	DT 4- RP Drive Chain Top Rollers 65-7/8"
	D109	60 Aqua Chain Connector Link
	N180	60 Aqua Chain Off Set Link
5	N884	DT4-RP Drive Chain Bottom Rollers 64-3/8"
	D109	60 Aqua Chain Connector Link
	N180	60 Aqua Chain Off Set Link
6	A202	Idler Sprocket 28T
7	L131	Spray Bar - Replacement Nozzle (Optional)
8	T693	Ultrasonic Sensor
9	B543	Slot Plug UHMW 4RP

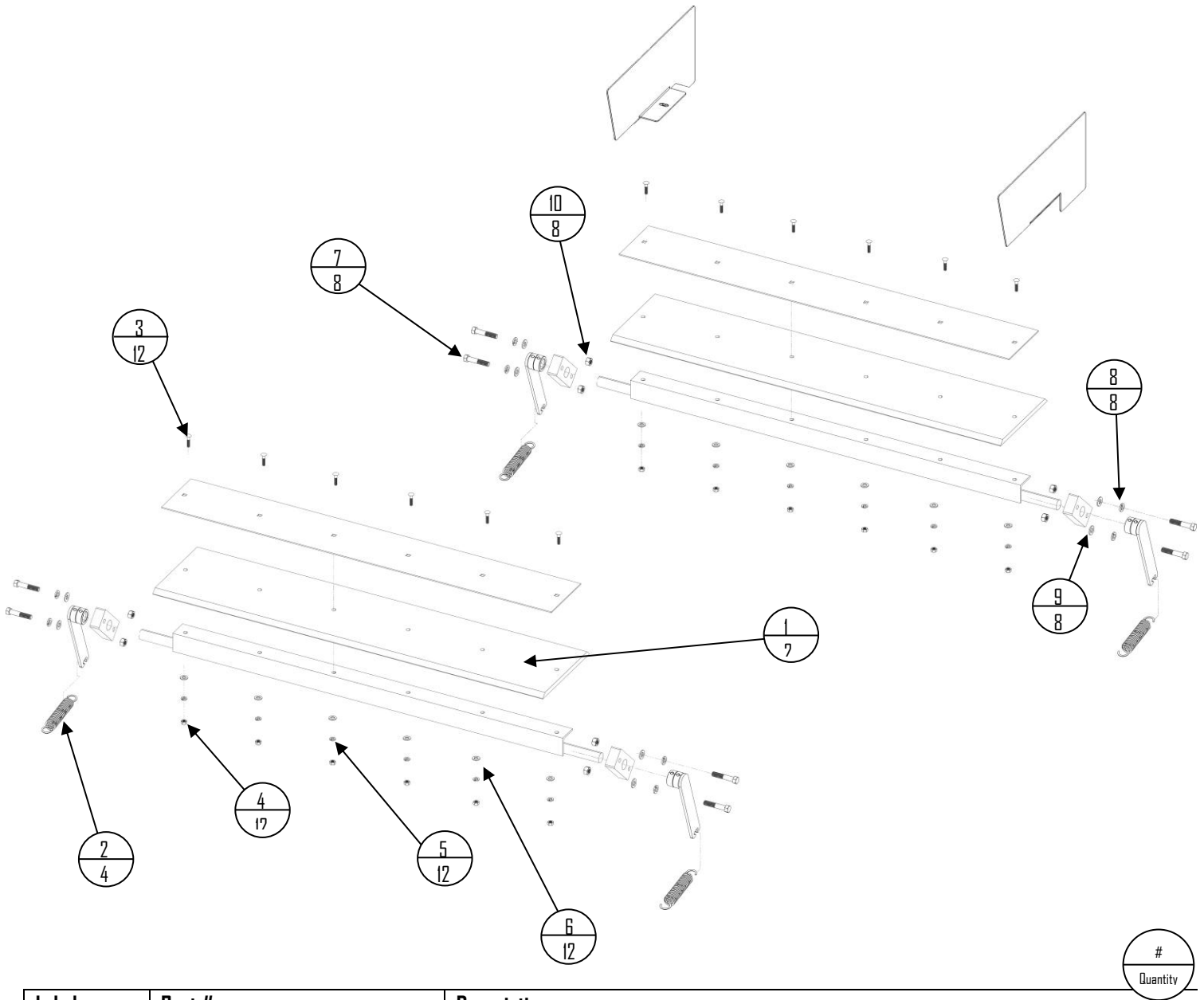
DT 4-Roller Air Press - Upper & Lower Roller Assembly



Label	Part #	Description	# Quantity
1	N659	Clutch Bearing Assembly	
2	R123	25 tooth 60 Clutch Drive Sprocket	
3	5277	5/16"-18 X 1" SS Bolt	
4	G642	8.5in Bellow Air Bag	
5	C177	4 Bolt Flange Bearing	
6	K337	DT RP Air 42" Replacement Roller	
7	D443	3/8"-16 X 1" SS Bolt	
8	B718	5/8"-11 X 3-1/2" SS Bolt	
9	Z134	1 HP / 3PH Motor & Gearbox Assembly	
10	D443	3/8"-16 X 1" SS Bolt	
11	R655	5/8"-11 SS Nut	
12	Y738	DT RP Air 42" Replacement Screen Roller	
	C819	1/8" SS Screen Wrap Only For 42" Screen Roller	
13	K349	22 tooth 60 series B sprocket	
14	P711	4 RP D-lite Bushing 2-1/4" - 3"	

*Items not listed are considered non-common replacement parts and can be custom ordered upon request.

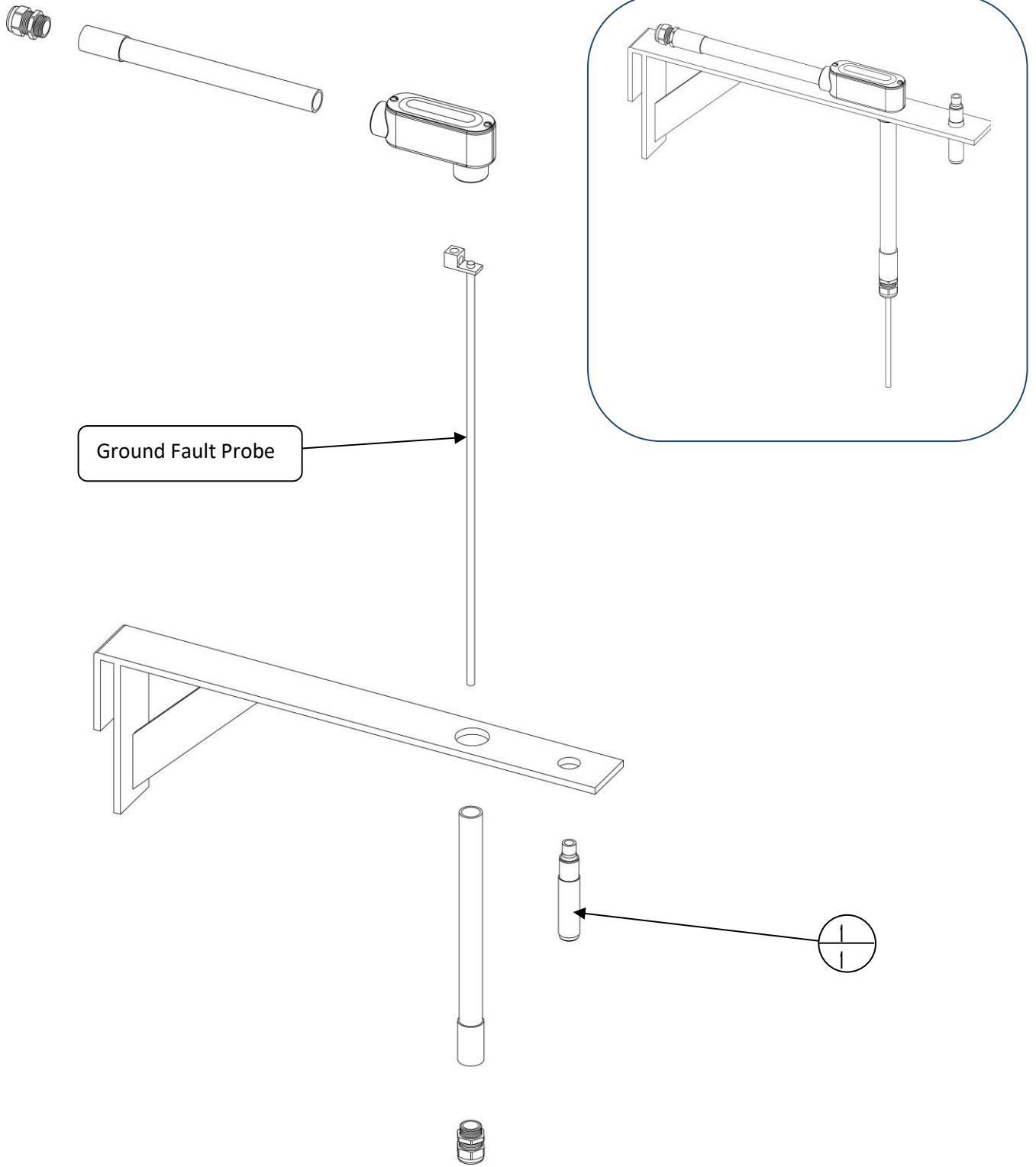
DT 4-Roller Air Press - Scraper Assembly



Label	Part #	Description
1	N577	UHMW Screen Scraper
2	S660	6" SS Spring
3	V307	5/16"-18 X 1-1/2" Carriage Bolt
4	S581	5/16" SS Nut
5	T829	5/16" SS Lock Washer
6	Q797	5/16" SS Flat Washer
7	K895	3/8"-16 X 2" SS Bolt
8	G736	3/8" SS Lock Washer
9	E143	3/8" SS Flat Washer
10	P398	3/8" SS Nut
	U629	42" 4RP Scraper ASM Complete w/ Arms & Springs

*Items not listed are considered non-common replacement parts and can be custom ordered upon request.

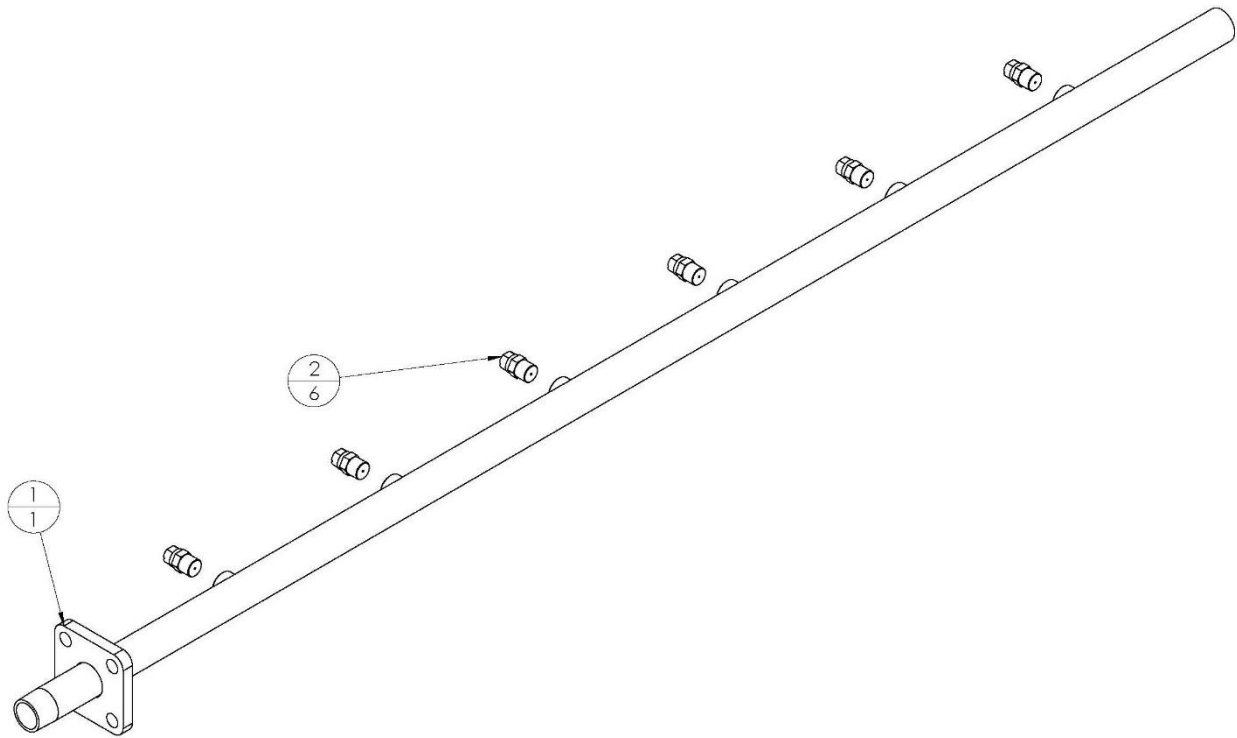
DT 4-Roller Air Press - Sensor Bracket Assembly



Quantity

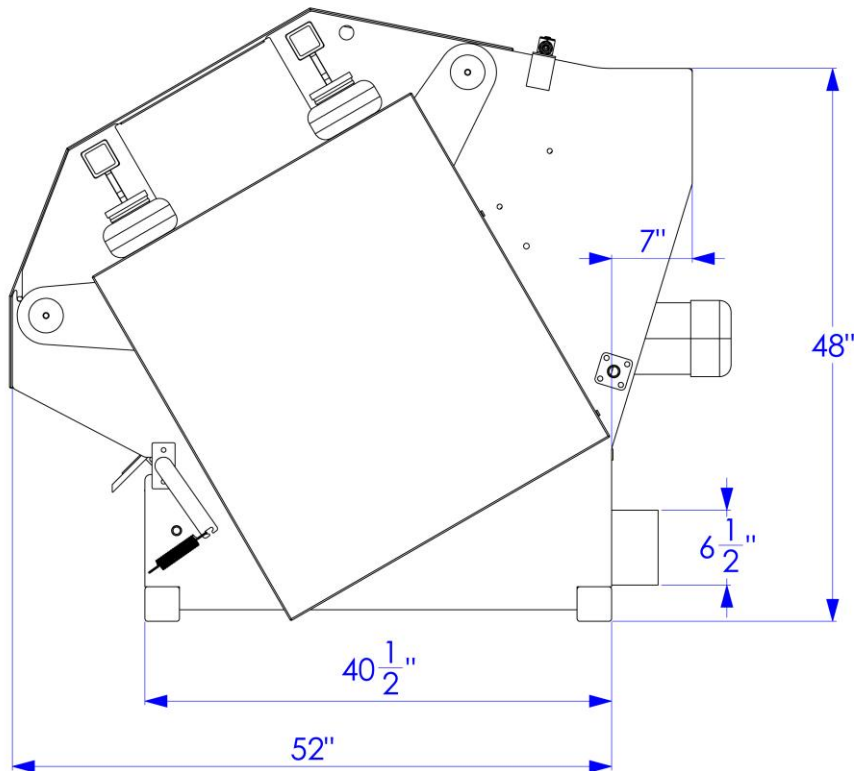
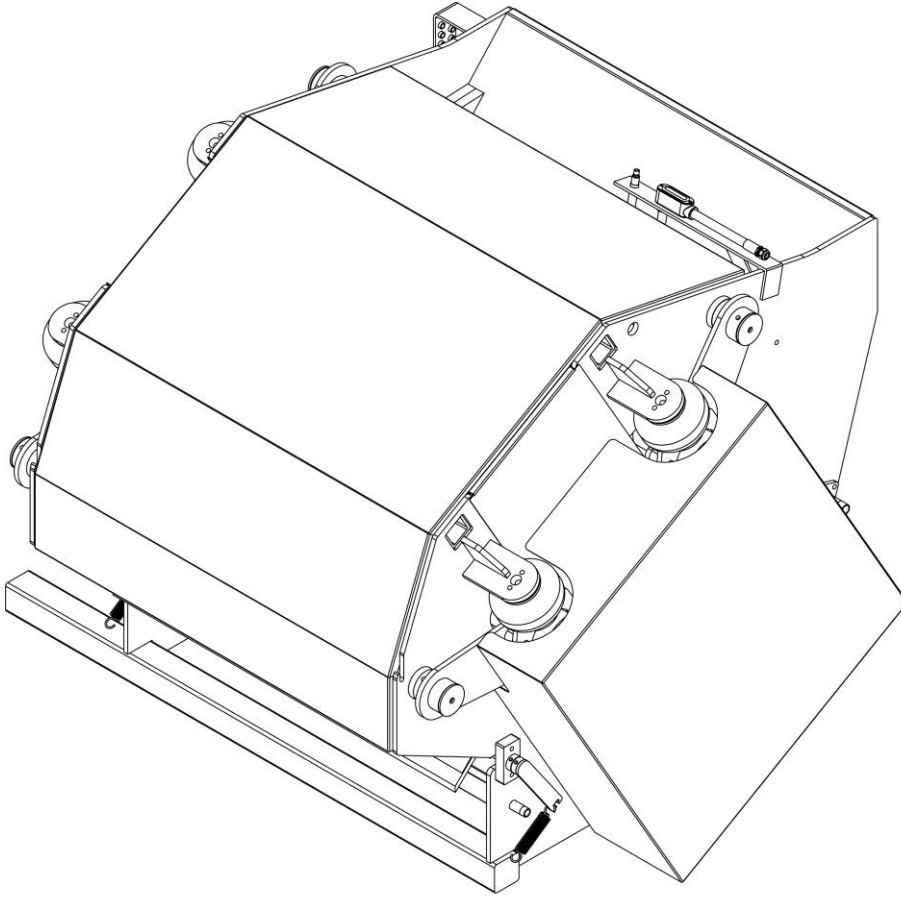
Label	Part #	Description
1	T693	Ultrasonic Sensor

DT 4-Roller Air Press – Optional Spray Bar

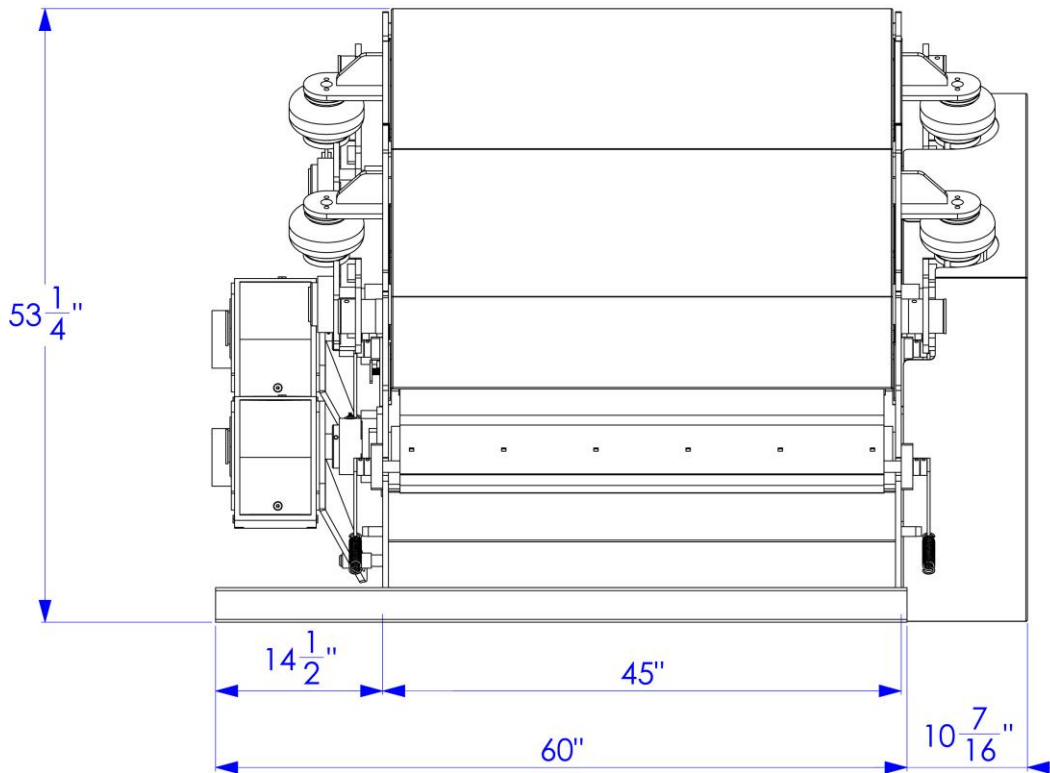
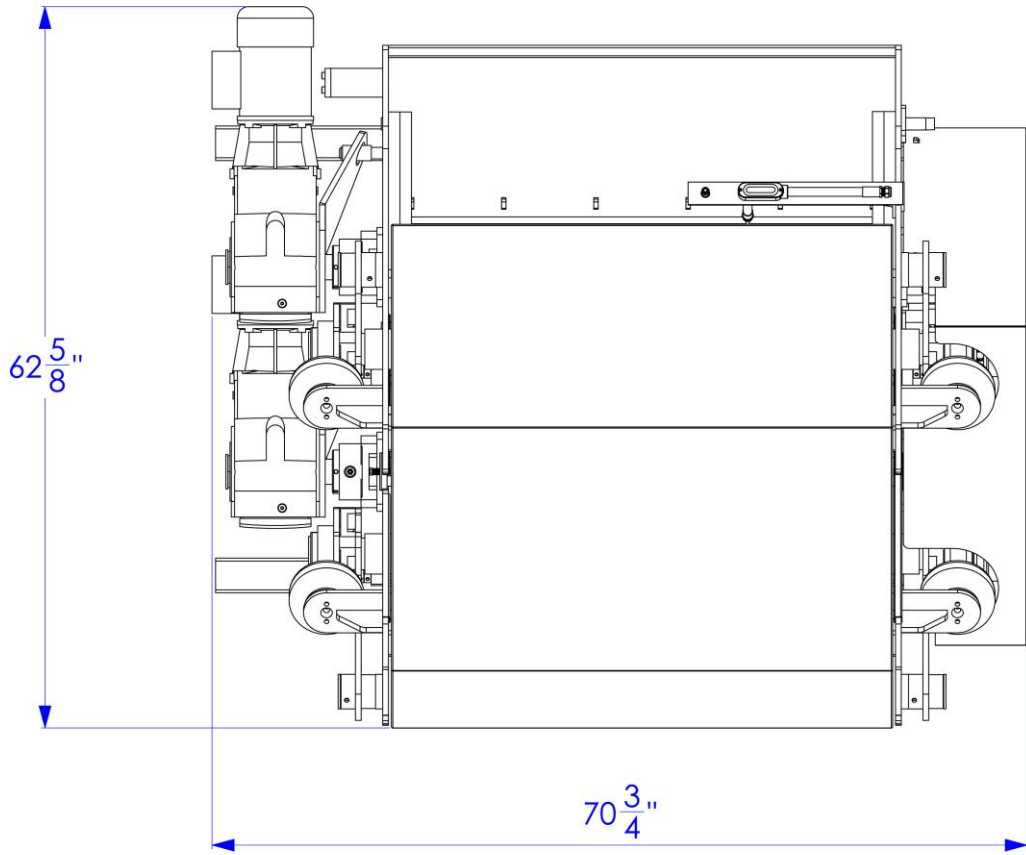


Label	Part#	Description
1	L131	Spray Bar with Nozzles
2	R455	95-10 Nozzles only

DT 4-Roller Air Press - Overall Dimensions



DT 4-Roller Air Press - Overall Dimensions



For Technical Support, to order Replacement Parts, or for questions about other products, please contact your local dealer.
