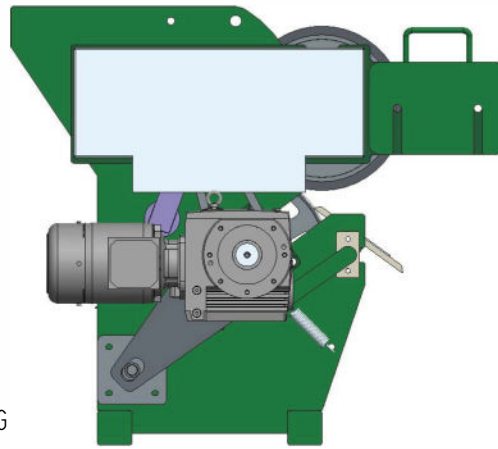


CUT OFF EXISTING MOTOR MOUNT.

OLD DODGE GEARMOTOR

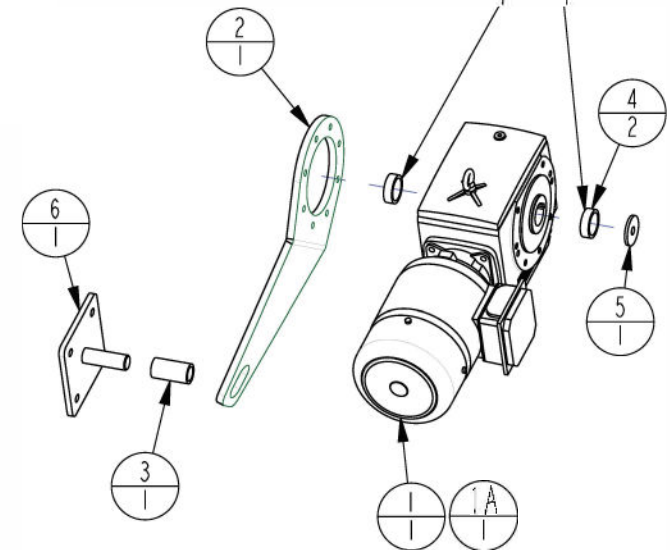


NEW NORD GEARMOTOR

Bill of Material

Part Number	Description	QTY.
1	B685 Gearbox w/ Motor	1
1A	Q439 Gearbox Only	1
2	L496 Torque Arm - Nord Gearmotor	1
3	K830 Torque Arm Plastic Bushing	1
4	X482 Spacer Bushing	2
5	A615 Cap	1
6	S280 Bolt on Torque Pin WLD	1

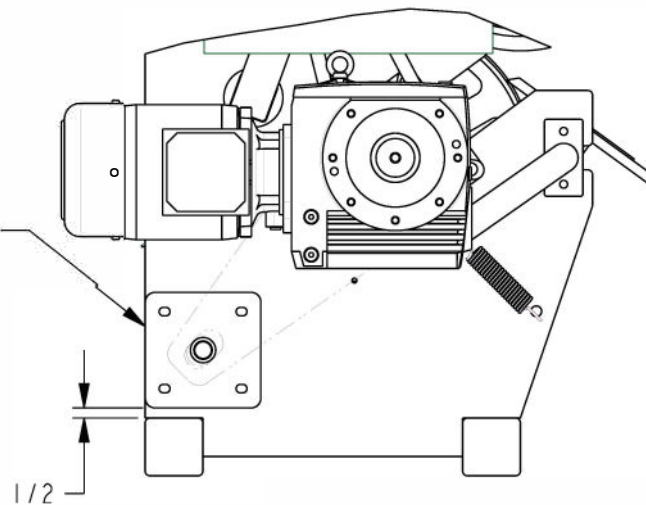
PLACE ONE SPACER BUSHING ON SHAFT EACH SIDE OF NORD GEARMOTOR.



NEW COMPONENTS FOR CHANGE FROM DODGE TO NORD GEARMOTOR.

WEIGHTED 2 ROLL PRESS DRIVE UPDATE

PLACE NEW BOLT ON TORQUE PIN PLATE FLUSH TO BACK AND 1/2" ABOVE 3X3 SQUARE TUBE. DRILL 4 HOLES AND BOLT ON WITH 3/8" BOLTS.



1/2

THIS DRAWING BELONGS TO DARITECH AND EXCEPT FOR THE MANUFACTURE OF ARTICLES FOR DARITECH SHALL NOT BE USED WITHOUT WRITTEN PERMISSION, DRAWING TO BE RETURNED UPON REQUEST

ALL DIMENSIONS IN INCHES UNLESS NOTED

GENERAL TOLERANCES UNLESS NOTED

X.X	±0.060	ANGLE	±1°
X.XX	±0.015	Ø HOLE	±1/64
X.XXX	±0.005		+0
FRACTION	±1/16	SAW	-1/16

THIRD ANGLE PROJECTION



SCALE

0.060



360.354.6900

DESCRIPTION			
NORD GEAR MOTOR ASM - ORIGINAL 2 ROLL PRESS			
MATERIAL CODE			
MODELED	DATE	DRAWING	REV SIZE
WSV	Aug-30-13	110360_01-DRIVE-UPDATE	A

SHEET 1 OF 1