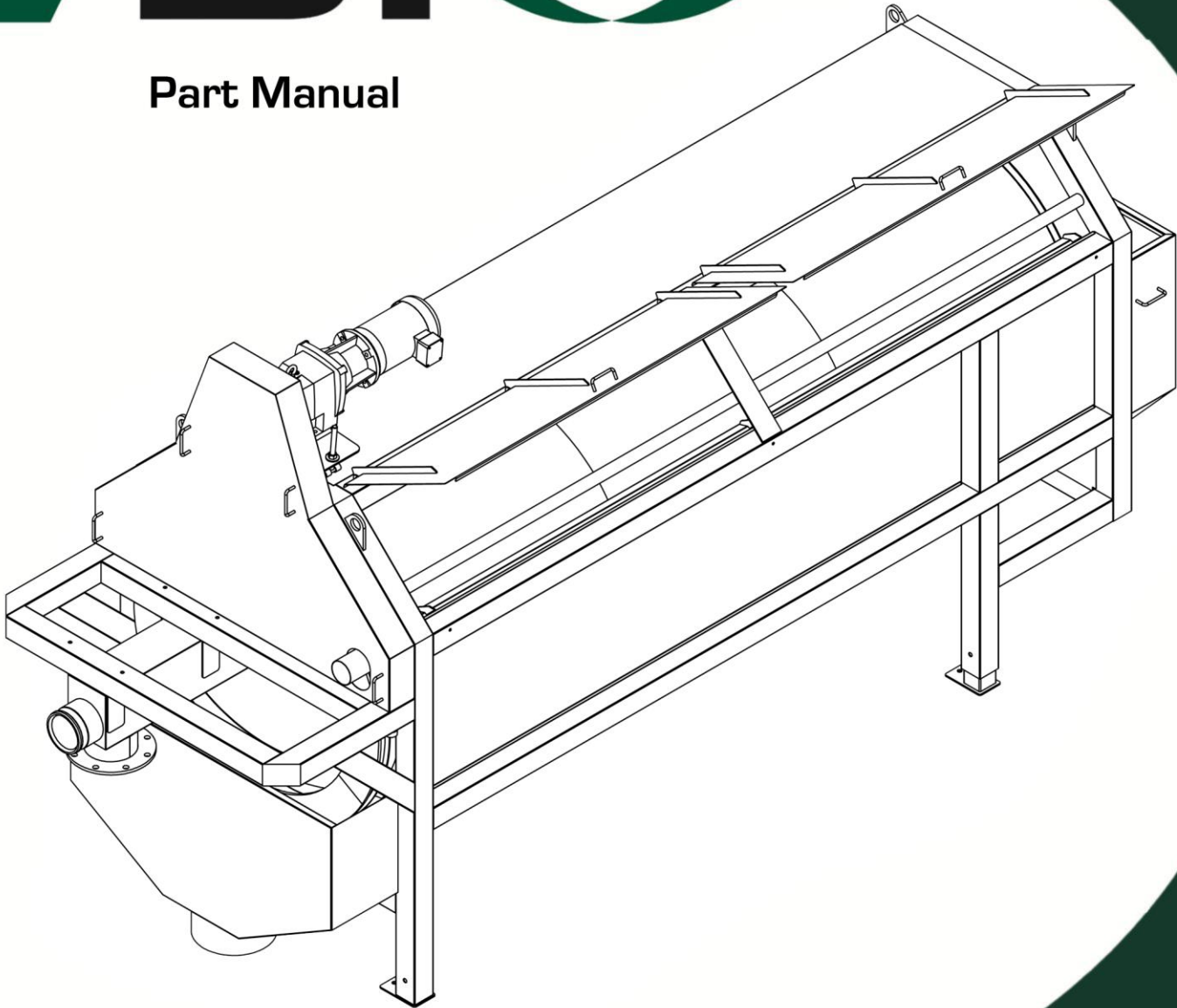




**DARITECH**<sup>INC</sup>  
Manure Management

**DT** by **DARITECH**  
**360**

**Part Manual**

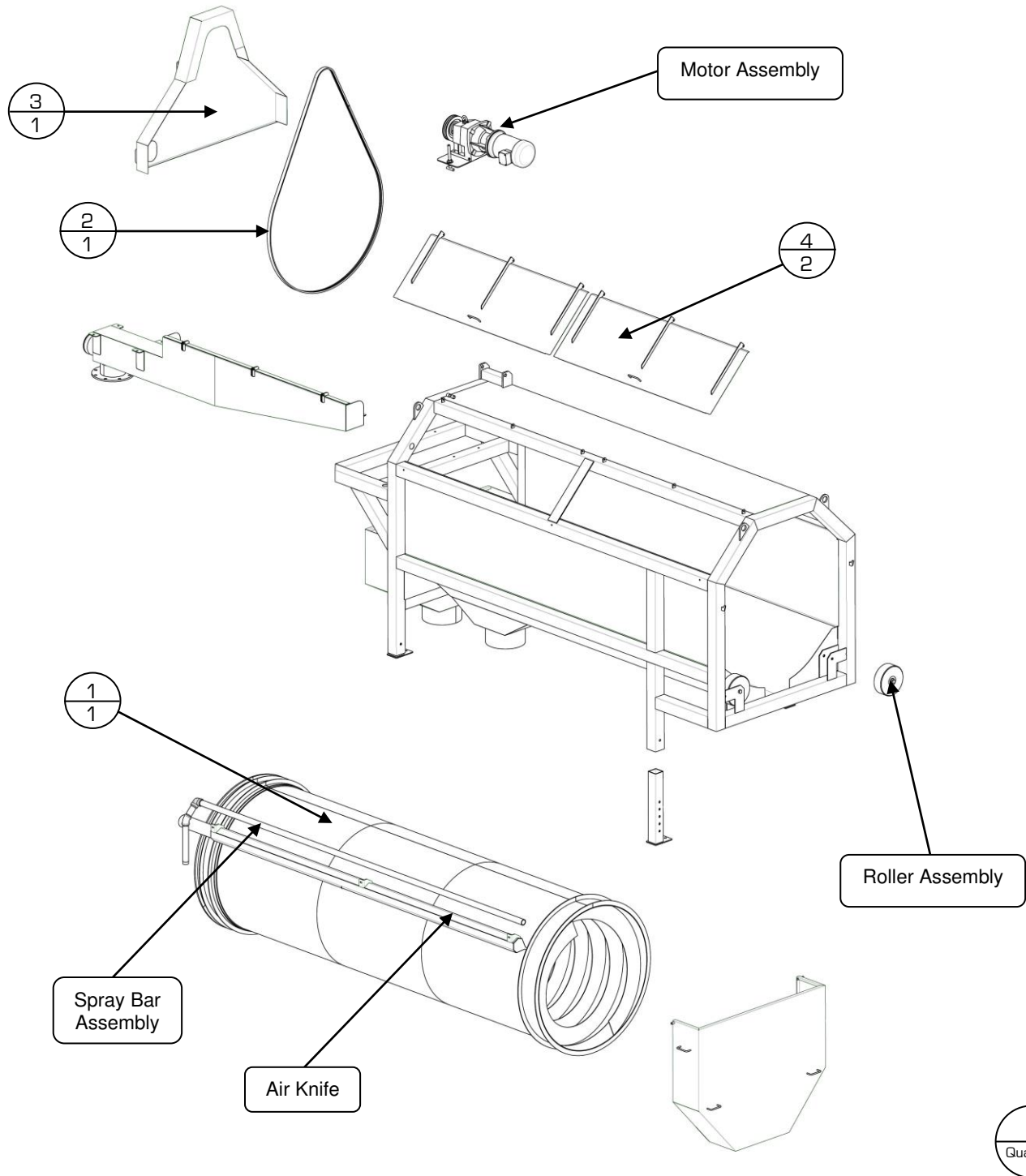


For Model:

**DT-360 (48")**  
**Separator**



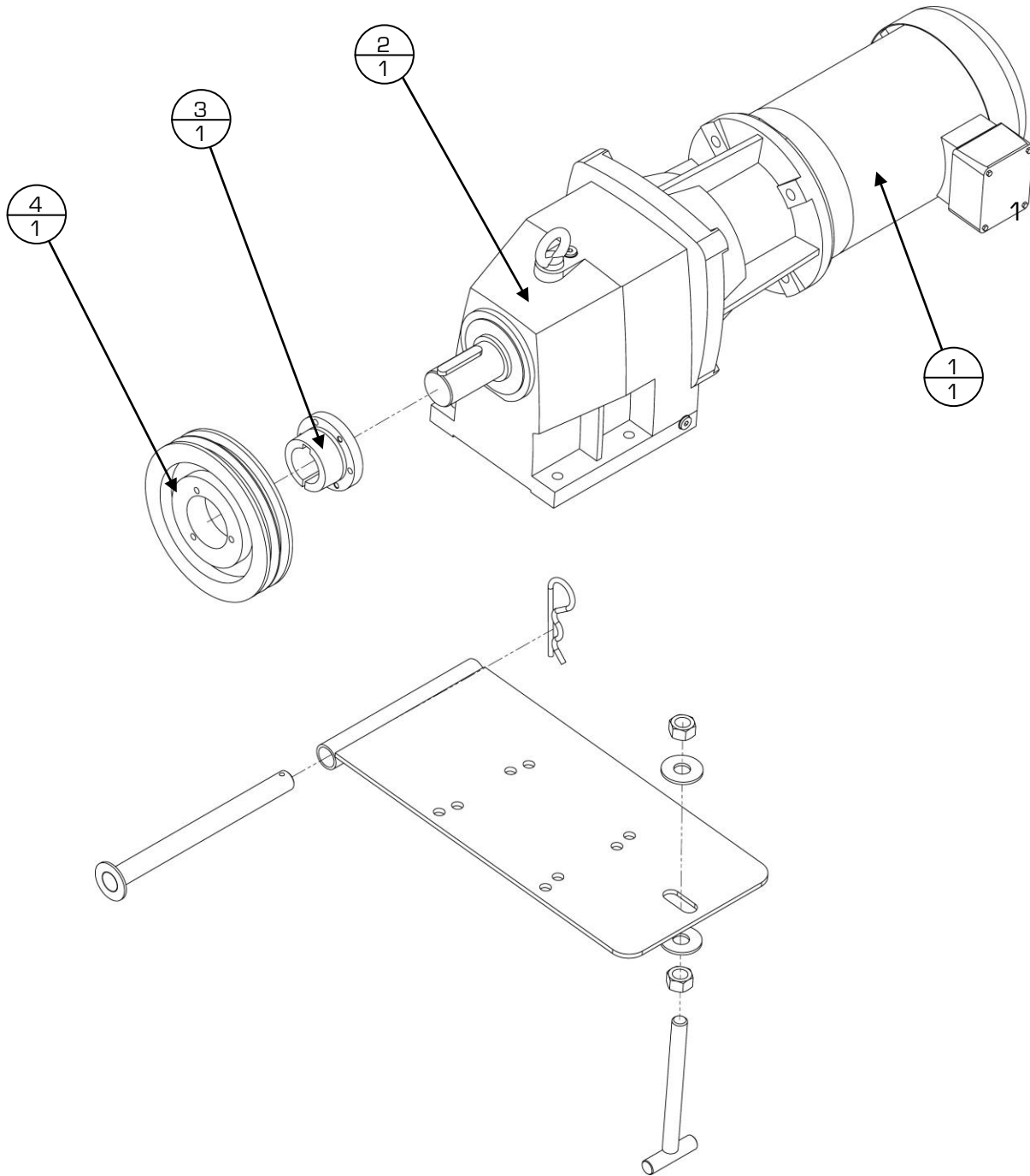
## Components



| Item # | Part # | Description                    |
|--------|--------|--------------------------------|
| 1      | P134   | 1/16" Punch Screen Only        |
|        |        | 1/8" Punch Screen Only         |
|        |        | 3/16" Punch Screen Only        |
|        | V359   | Mesh / Hybrid Screen Only      |
| 2      | W168   | Drive Belt - 3B195             |
| 3      | —      | Belt Guard, Right hand machine |
| 4      | —      | Lid Assembly                   |

\*Items not listed are considered non-common replacement parts and can be custom ordered upon request.

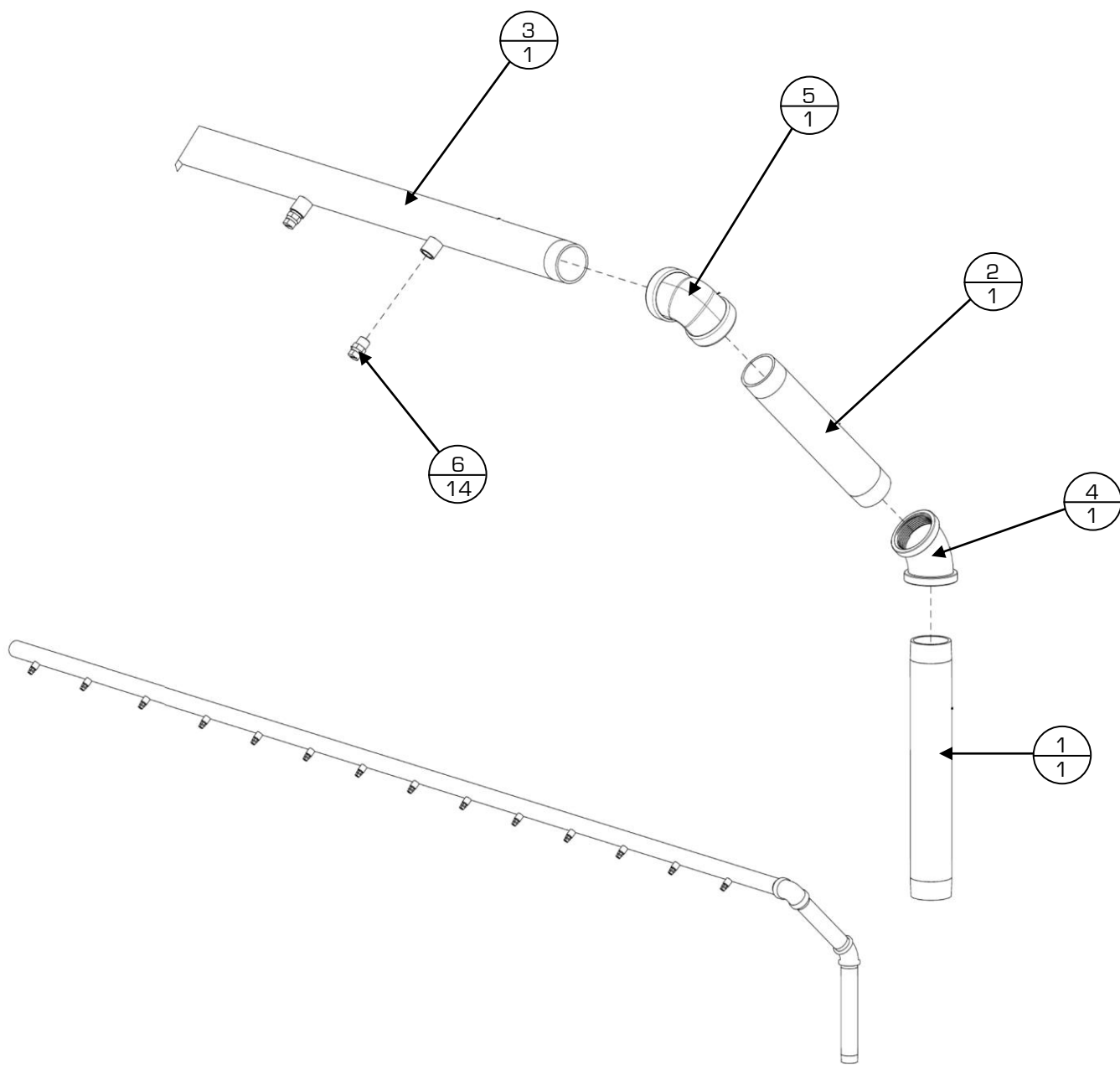
## Motor Assembly



| Item # | Part # | Description                             | #<br>Quantity |
|--------|--------|---|---------------|
| 0      | O187   | Nord 3HP / 3PH Motor & Gearbox Assembly |               |
| 1      | F249   | Nord Motor 3 HP 182TC 3 PH 50/60        |               |
| 2      | F486   | Nord Gearbox Only 3 HP 24.41:1          |               |
| 3      | Y145   | QD Bushing, SK 1-7/8"                   |               |
| 4      | V190   | QD Sheave, 3B Groove 8.0 SK             |               |
| 5      | Z386   | Nord Mount / Nord Reducer               |               |

\*Items not listed are considered non-common replacement parts and can be custom ordered upon request.

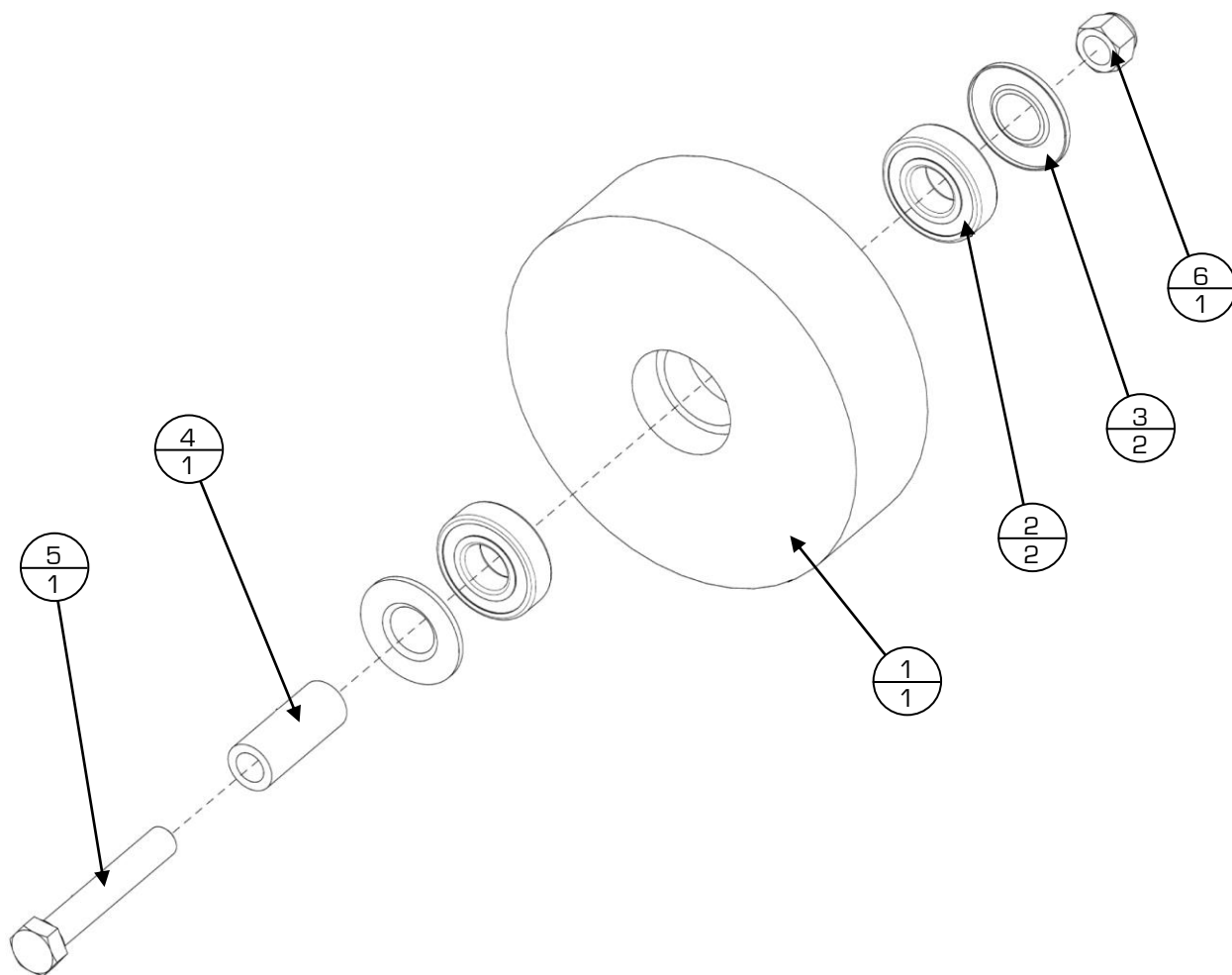
# Spray Bar Assembly



| Item # | Part # | Description                      |
|--------|--------|----------------------------------|
| 1      | —      | 1-1/2" Pipe 1                    |
| 2      | —      | 1-1/2" Pipe 1                    |
| 3      | —      | 1-1/2" Spray Pipe 12 Port        |
| 4      | G566   | 1-1/2" 150# SS 45 Elbow Threaded |
| 5      | L393   | 1-1/2" 150# SS 90 Elbow Threaded |
| 6      | C790   | Spray Nozzle                     |

\*Items not listed are considered non-common replacement parts and can be custom ordered upon request.

# Roller Assembly

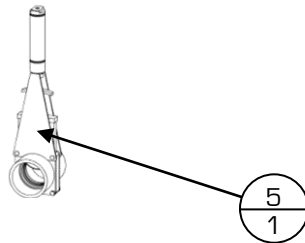
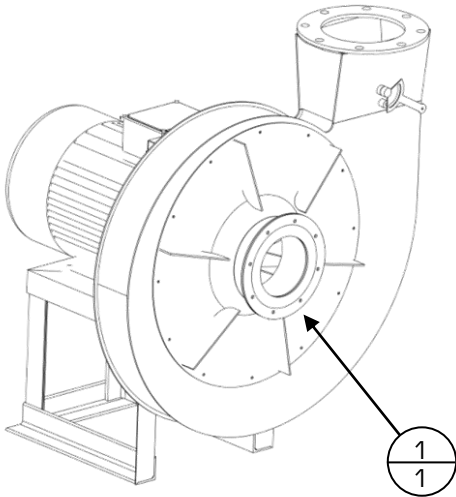
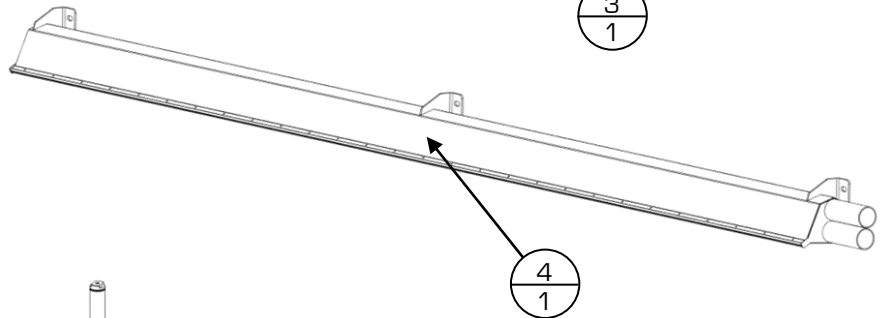
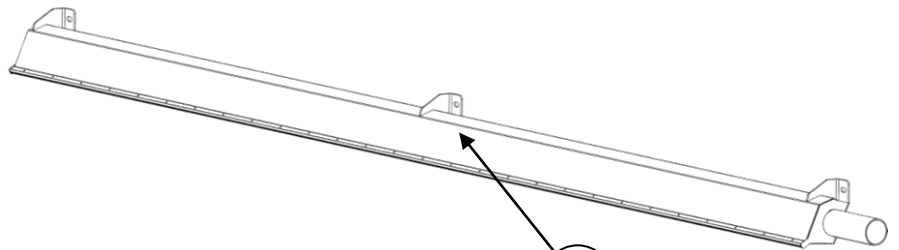
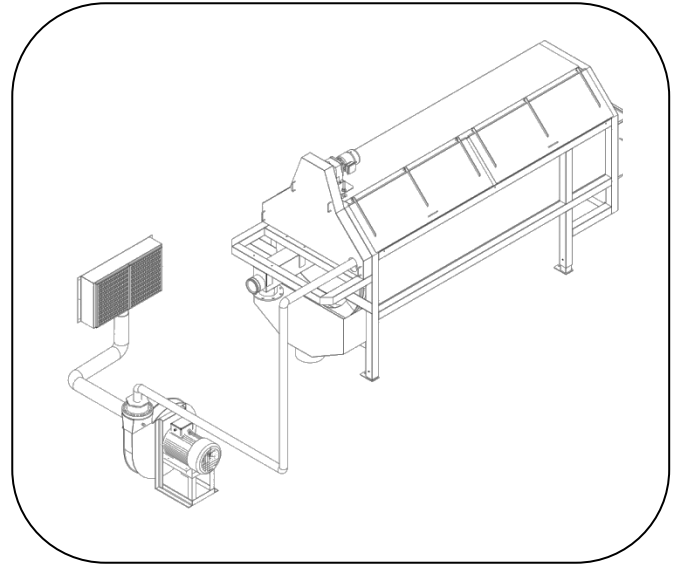
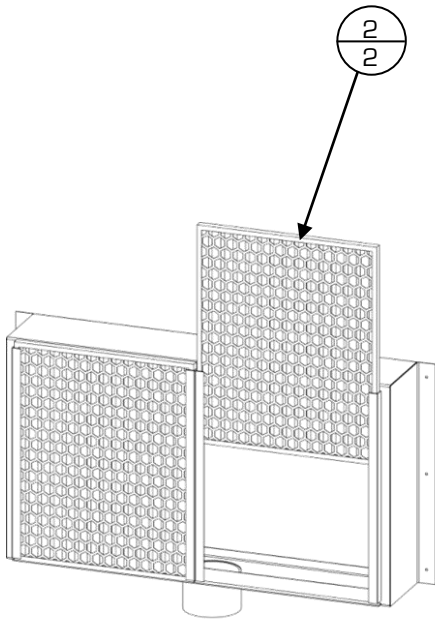


\*Note: Sold as an assembly only



| Item # | Part # | Description                |
|--------|--------|----------------------------|
|        | L505   | DT-360 48in Wheel Assembly |
| 1      | --     | Wheel, Poly                |
| 2      | --     | Wheel Bearing              |
| 3      | --     | Wheel Bearing Seal         |
| 4      | --     | Wheel Bushing              |
| 5      | --     | Wheel Bolt                 |
| 6      | --     | Wheel Nut                  |

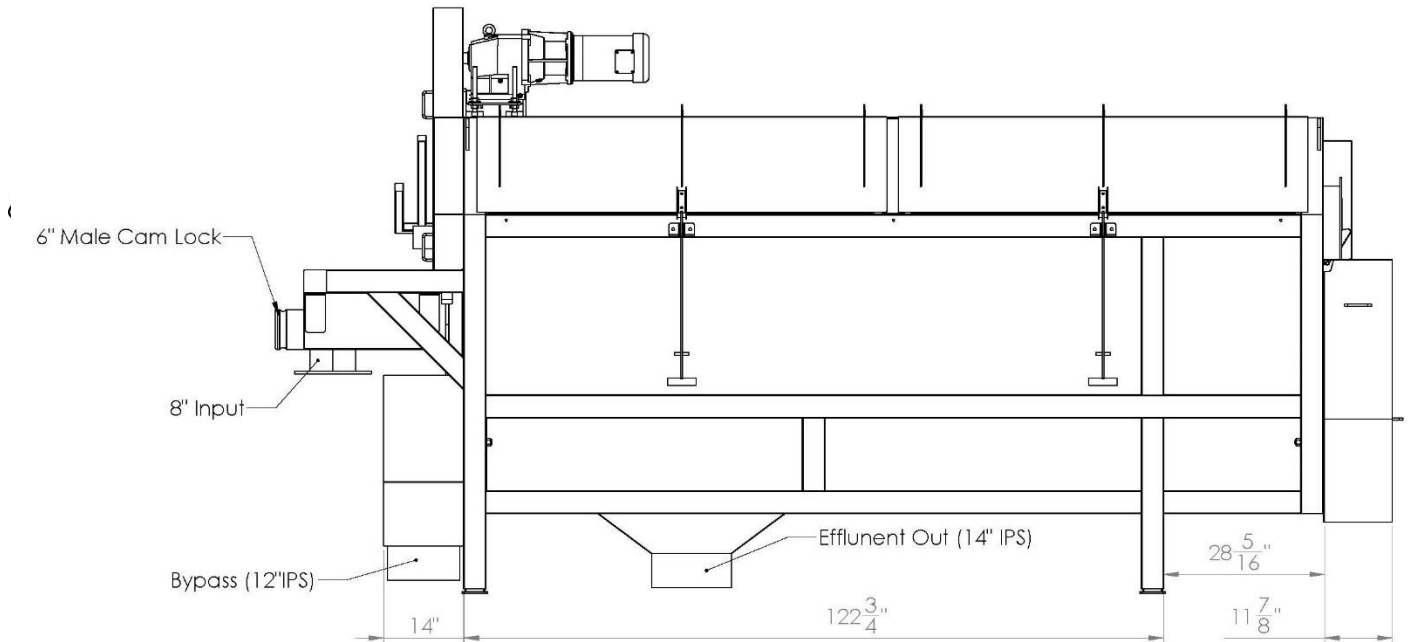
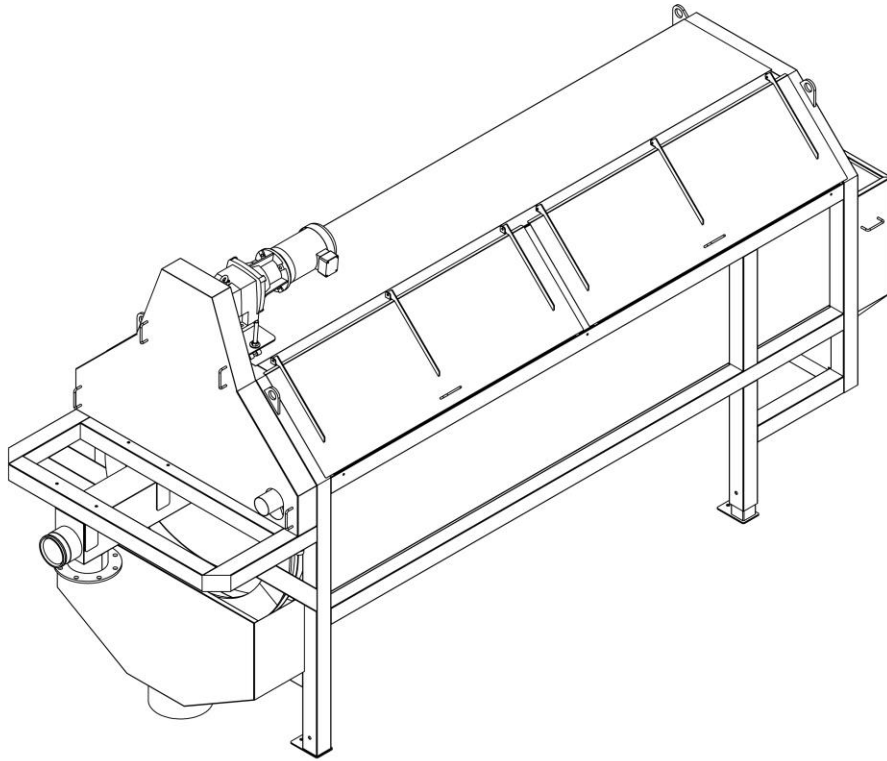
### Air Knife Attachment (Optional)



#  
Quantity

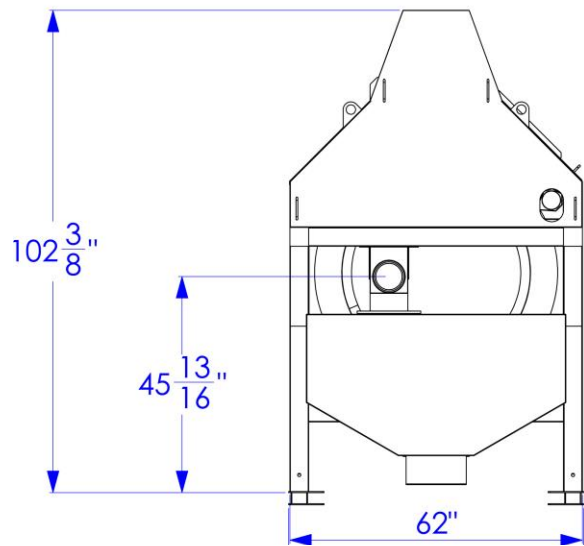
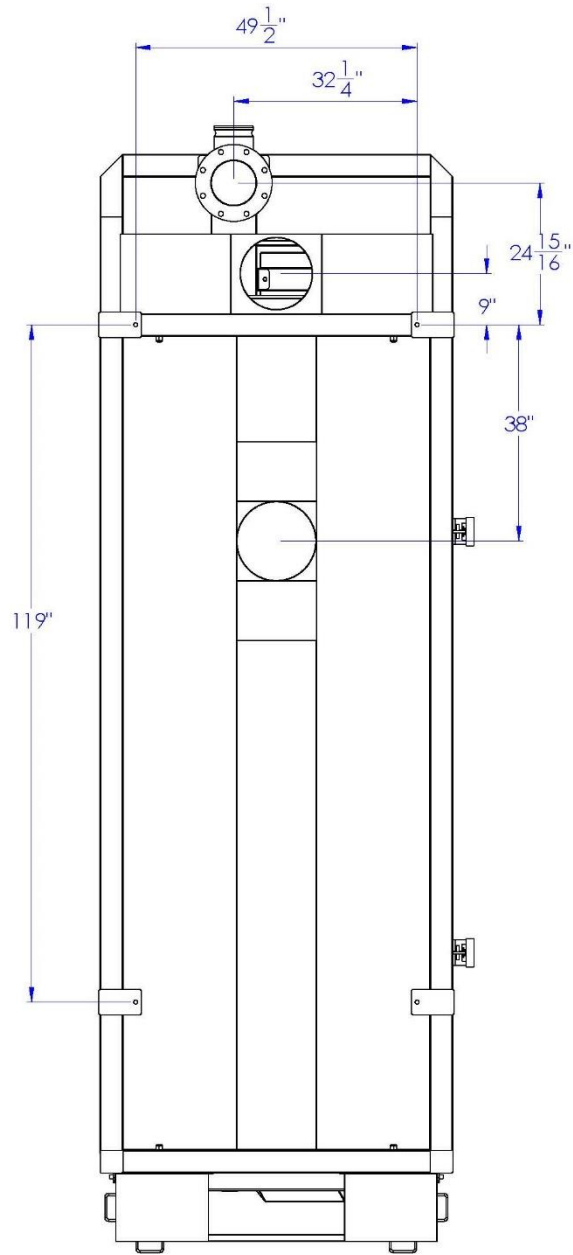
| Item # | Part # | Description               |                                      |
|--------|--------|---------------------------|--------------------------------------|
| 1      | G193   | 5 HP Air Knife Blower     |                                      |
|        | U765   | 10 HP Air Knife Blower    |                                      |
| 2      | M787   | Air Knife Blower - Filter |                                      |
| 3      | P166   | 48" Air Knife             |                                      |
| 4      | X572   | 48" Split Air Knife       |                                      |
| 5      | U516   | 3" Air Knife Gate Valve   | <i>(Used if split configuration)</i> |
|        | X708   | 4" Air Knife Gate Valve   | <i>(Used if split configuration)</i> |

# Overall Dimensions





# Overall Dimensions



---

For Technical Support, to order Replacement Parts, or for questions about other products,  
please contact your local dealer.

---