



**DARITECH** INC

Manure Management

# The **DTX**

## Part Manual

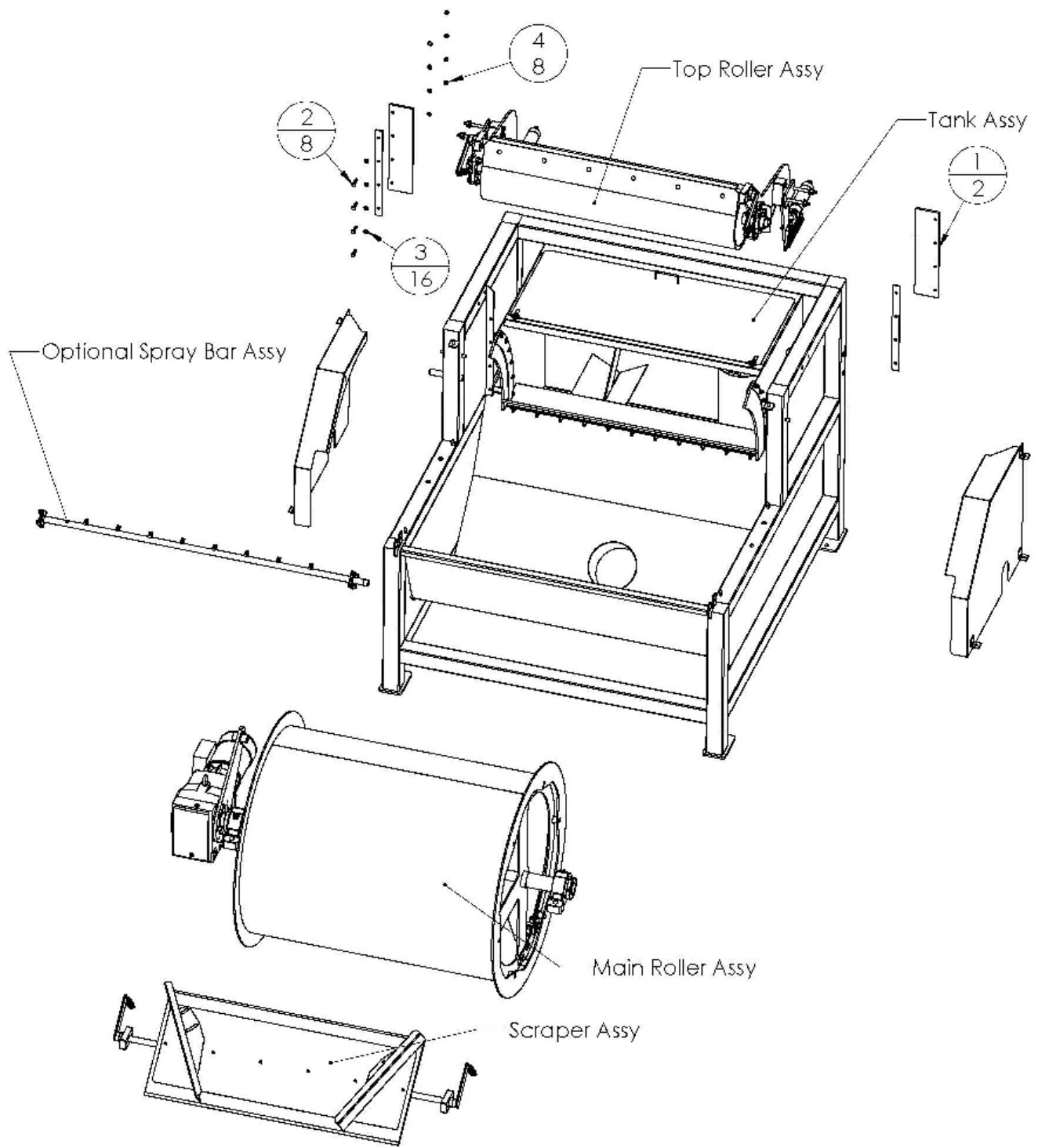


For Model:

**DTeXternal Separator 48"**  
**(DTX)**

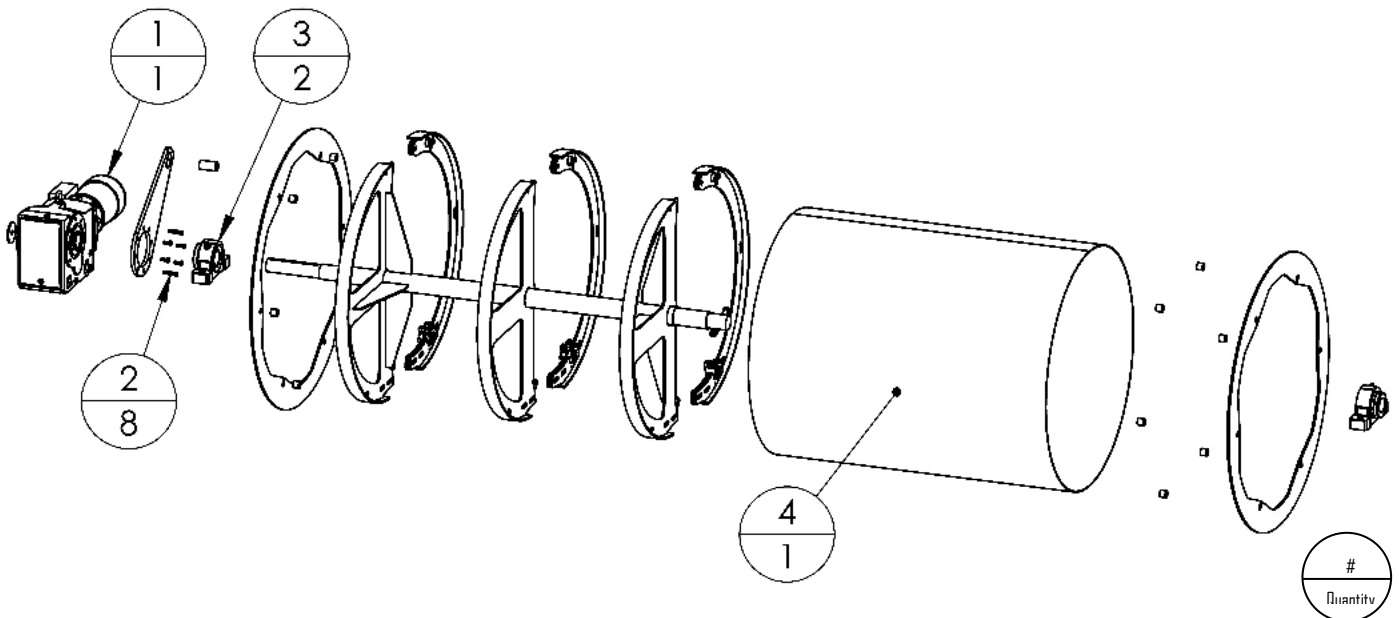
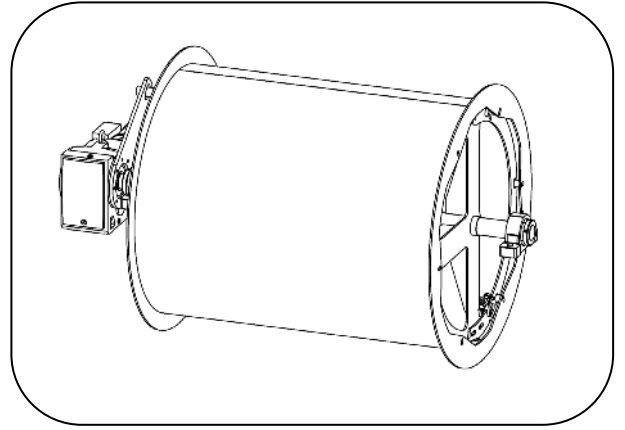


## DTX 48" - Components



Label	Part #	Description
1	A207	DTX Rubber Strip Vertical
2	L580	3/8"-16 x 1-1/4" SS Hex Head Bolt
3	E143	3/8" SS Flat Washer
4	M156	3/8"-16 SS Nylock Nut

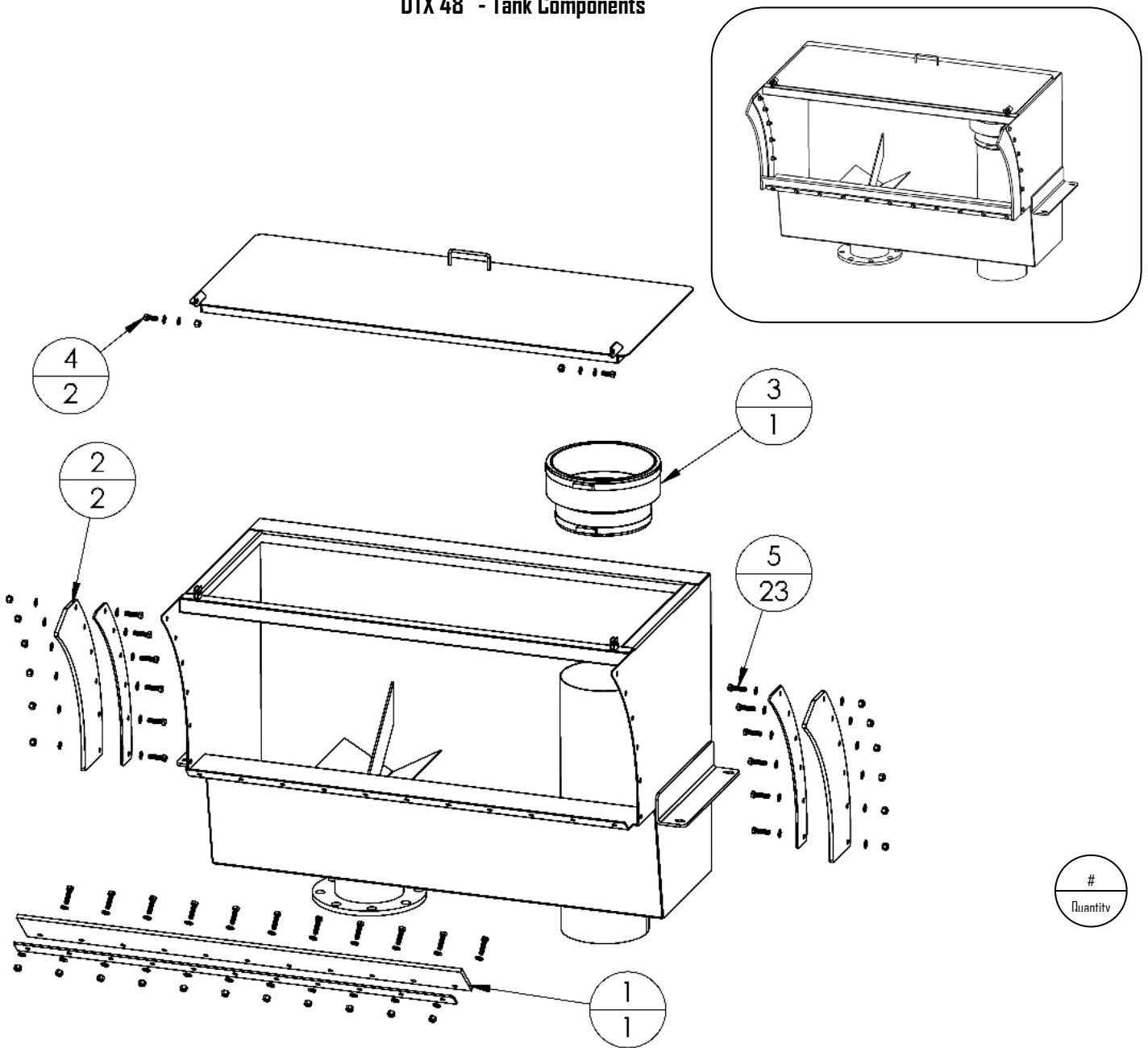
## DTX 48" - Main Roller ASM



Label	Part #	Description
1	Z134	Nord Gearbox - 1HP w/Motor 3 PH. 233.92:1 (DTX 48"/2RP24"/4RP 42"/6RP 48")
	0149	Nord Motor 1 HP 56C 3 PH. 50/60
	Q759	Nord Gearbox Only (48" DTX/42" 4-RP)
2	T534	8.8 M8-1.25X25 Zinc Hex Bolt
3	G469	Dodge Pillow Block Bearing 2-3/16" - 2-Bolt - P2B-S2-203R (DTX 48)
4	G663	48" DTX Perforated Complete Screen (Bolt Together/Re-Screenable)
	L360	DTX 48" Replacement 1/8" Screen Shell Only
	T662	DTX 48" Replacement 1/16" Screen Shell Only
	V567	48" DTX Wedge Wire Screen Only

\*Items not listed are considered non-common replacement parts and can be custom ordered upon request.

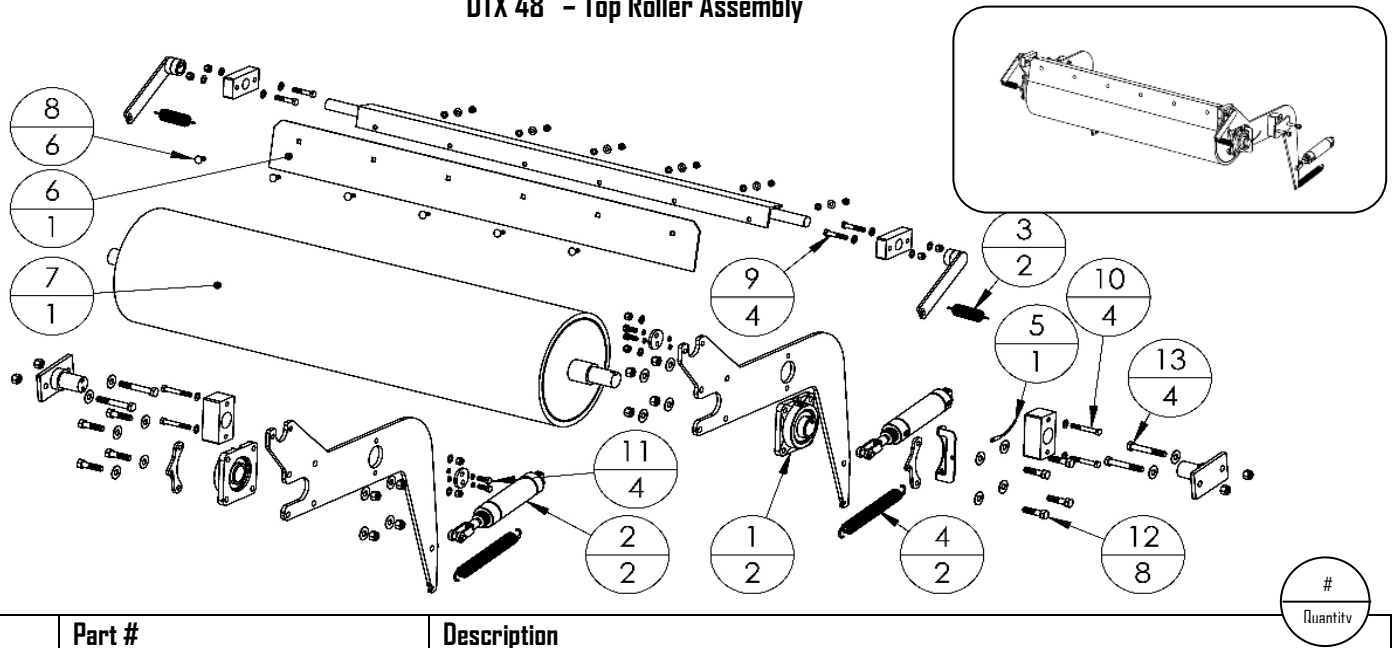
## DTX 48" - Tank Components



Label	Part #	Description
1	L789	DTX Rubber Bottom 45-1/2" - 3/8" Black Urethane 60A Durometer
2	L746	DTX Rubber Side 48 - 3/8" Black Urethane 60A Durometer
3	P775	10" X 8" Fernco Coupling
4	D443	3/8" X 1" SS Hex Bolt
	E143	3/8" - 7/8" SS Flat Washer
	M156	3/8" - 16 SS Nylock Nut
5	Z175	3/8" - 16 X 1-1/2" SS Hex Head Bolt
	E143	3/8" - 7/8" SS Flat Washer
	M156	3/8" - 16 SS Nylock Nut

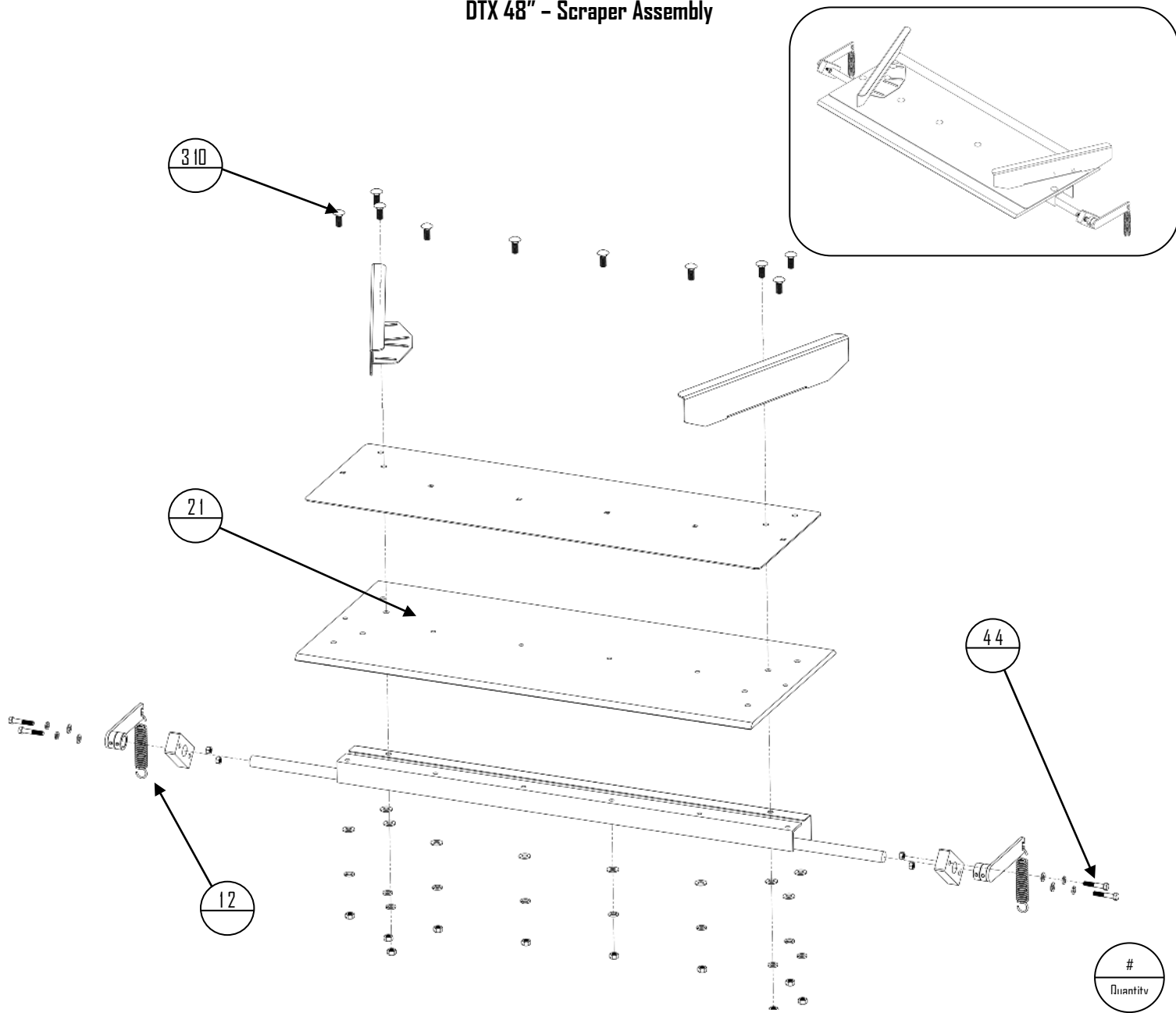
\*Items not listed are considered non-common replacement parts and can be custom ordered upon request.

## DTX 48" - Top Roller Assembly



Label	Part #	Description	# Quantity
	J363	48" DTX Scraper Assembly Complete w/ Arms & Springs	
1	X862	4-Bolt Flange Bearing 1-1/2" Bore, Double Set Screw (DTX48/96)	
2	E304	2 X 4 Air Cylinder	
3	Z346	1" X 8" SS Ext Spring 22.78 LB/IN	
4	J637	1" X 5" SS Ext Spring 10.41 LB/IN	
5	M548	DTX Top Roller Proximity Sensor	
6	K278	DTX Top Roller Scraper 45-1/2"	
7	Z621	DTX-48 Top Roller (Rubber)	
8	U130	5/16" X 1" Carriage Bolt	
	S581	5/16" - 18 SS Nut	
	J470	5/16" SS Lock Washer	
9	Q797	5/16" - 3/4" SS Flat Washer	
	K895	3/8" - 16 X 2" SS Hex Head Bolt	
	E143	3/8" SS Flat Washer	
10	M156	3/8" - 16 SS Nylock Nut	
	G780	3/8" - 16 X 2-3/4" SS Hex Head Bolt	
	E143	3/8" SS Flat Washer	
11	M156	3/8" - 16 SS Nylock Nut	
	D443	3/8" - 16 X 1" SS Hex Head Bolt	
12	G736	3/8" SS Split Lock Washer	
	D131	1/2" - 13 X 2" SS Hex Head Bolt	
	U124	1/2" SS Flat Washer	
13	F567	1/2" - 13 SS Nylock Nut	
	L899	1/2" - 13 X 4-1/2" SS Hex Head Bolt	
	U124	1/2" SS Flat Washer	
	F567	1/2" - 13 SS Nylock Nut	

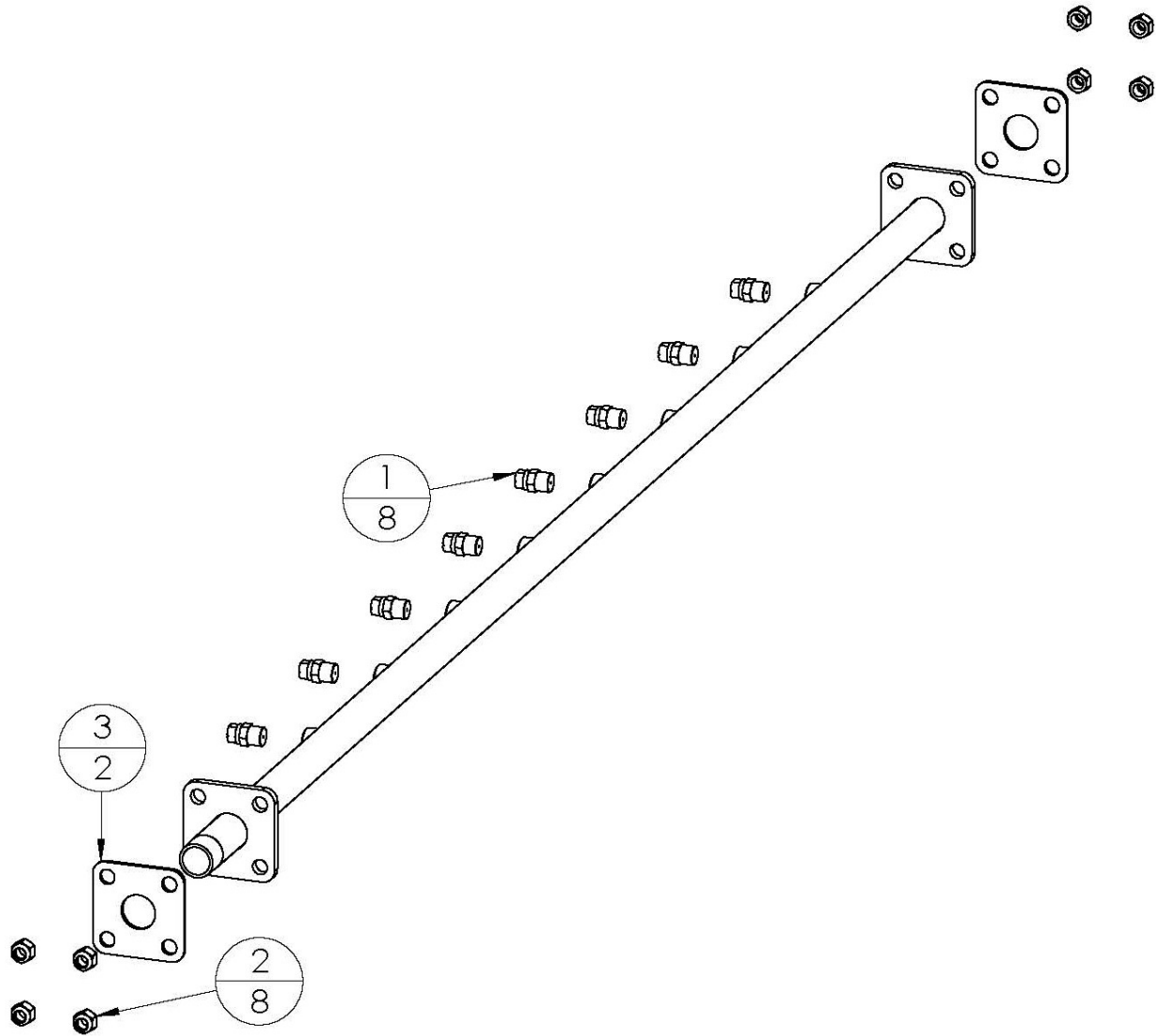
# DTX 48" - Scraper Assembly



Label	Part #	Description
	R536	48" DTX Bottom Scraper Assembly Complete w/ Arms & Springs
1	S660	1" X 5" SS Ext Spring 16.16 LB/IN
2	D467	DTX 48 Screen Scraper - 1/2" Black HDPE Repro E-70679
3	Q541	5/16" 18 X 1-1/2" Carriage Bolt
	S581	5/16" SS Nut
	J470	5/16" SS Lock Washer
	Q797	5/16" SS Flat Washer
4	K895	3/8" X 2" SS Bolt
	G736	3/8" - 7/8" SS Lock Washer
	E143	3/8" - 7/8" SS Flat Washer
	M156	3/8" - 16 SS Nylak Nut

\*Items not listed are considered non-common replacement parts and can be custom ordered upon request.

## DTX 48" - Optional Spray Bar

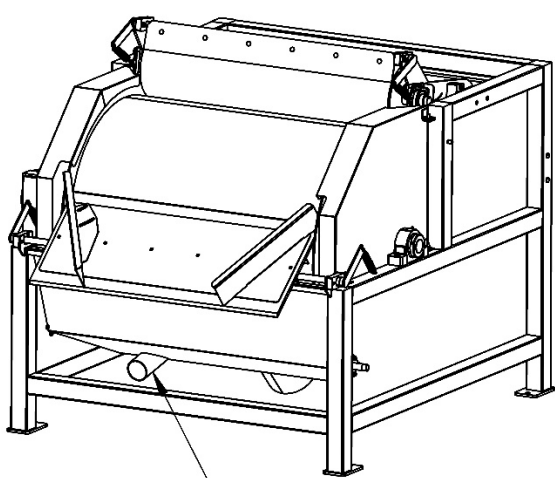


Label	Part#	Description
1	R455	DT360 1/4" SS Spray Nozzle 9510
2	M156	3/8" - 16 SS Nylock Nuts
3	K129	Spray Bar Gasket 1/8" Black Neoprene - DIE M303NEI

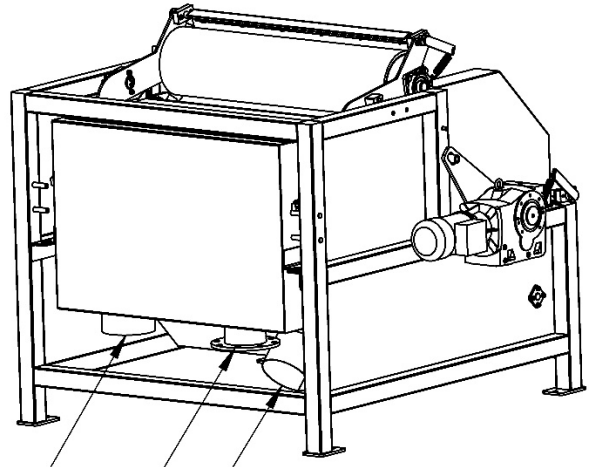


## DTX 48" - Scraper Assembly

# DTX 48" - Overall Dimensions



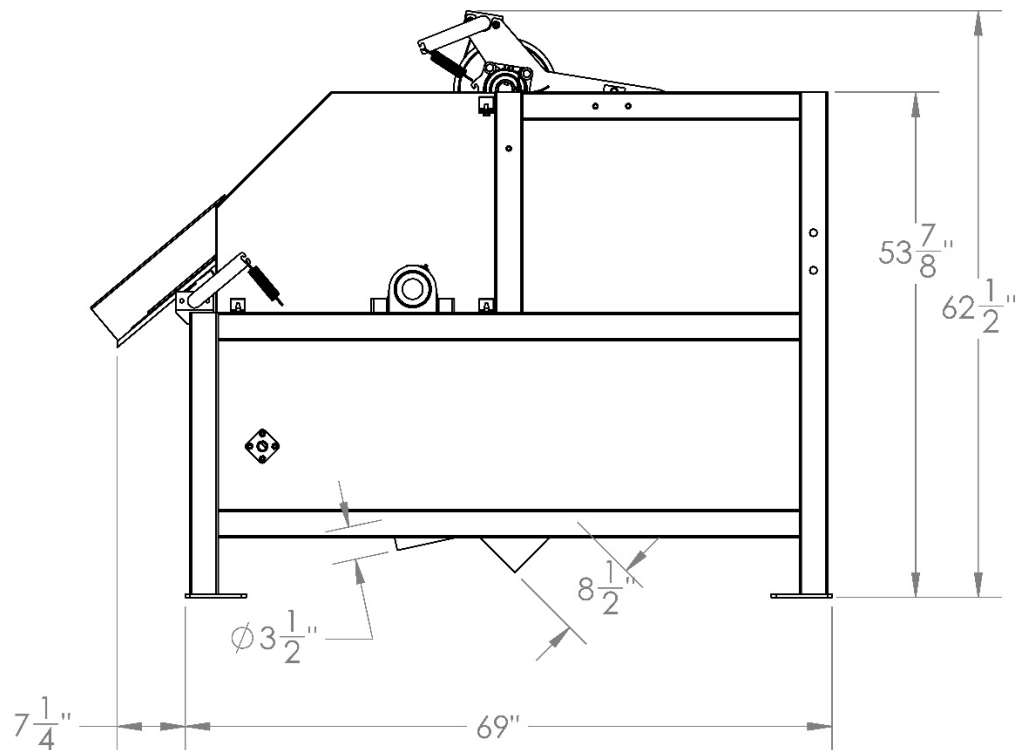
$\phi 3\text{-}1/2\text{'}$  Out (x2)



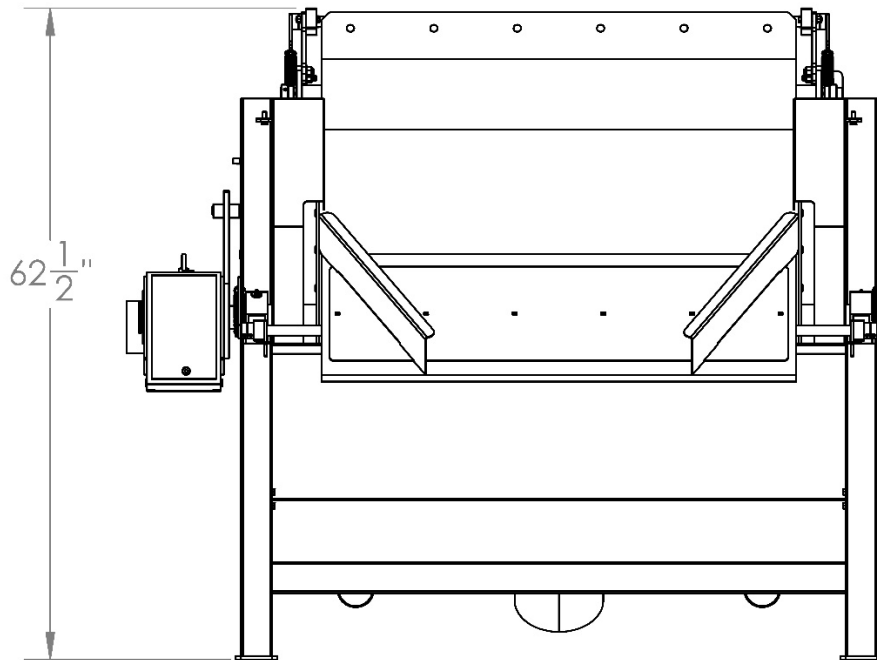
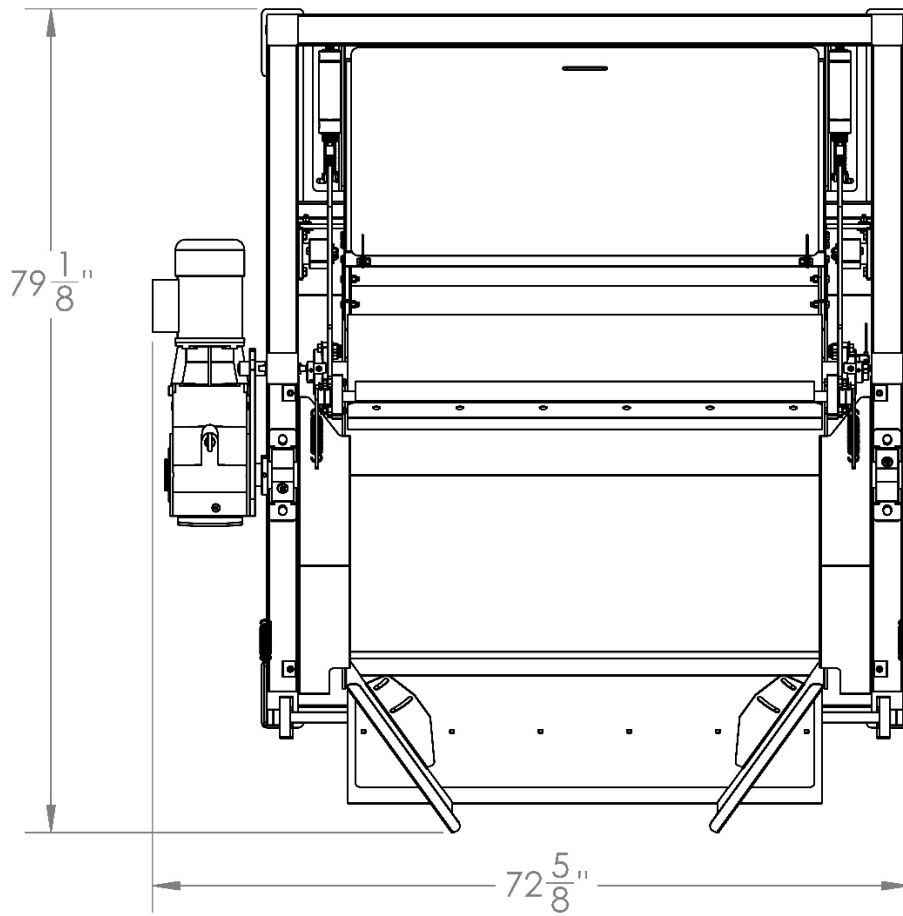
$\phi 8\text{-}1/2\text{'}$  Out

$\phi 6\text{-}1/2\text{'}$  In

$\phi 8\text{-}1/2\text{'}$  Overflow



# DTX 48" - Overall Dimensions



---

**For Technical Support, to order Replacement Parts, or for questions about other products, please contact your local dealer.**

---