



The **DTX**  
by DARITECH

Part Manual

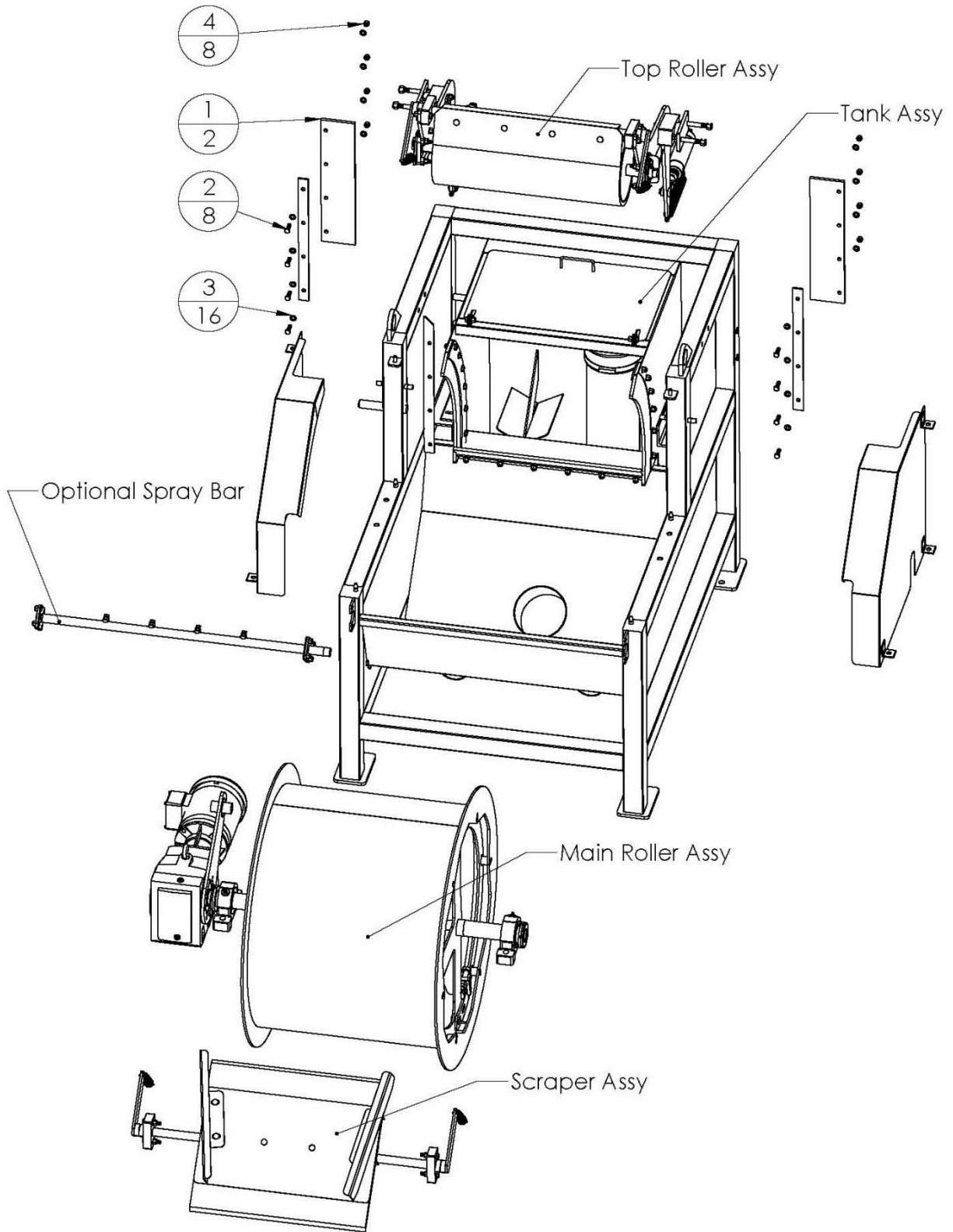


For Model:

**DTeXternal Separator 24"**  
**(DTX)**

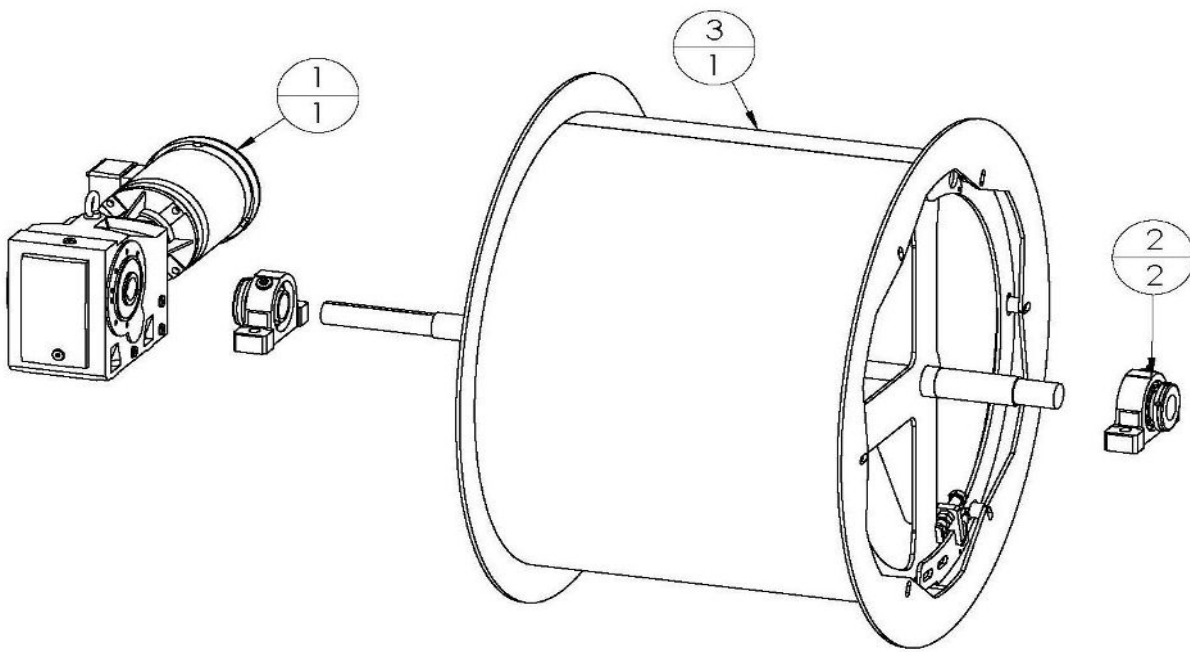
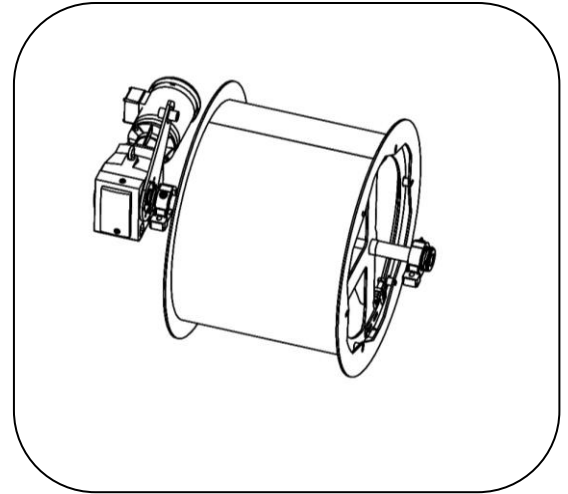


## DTX 24" - Components



Label	Part #	Description
1	A207	DTX Vertical Rubber Strip
2	L580	3/8"-16 x 1-1/4" SS Hex Head Bolt
3	E143	3/8" SS Flat Washer
4	M156	3/8"-16 SS Nylock Nut

# DTX 24" – Main Roller ASM

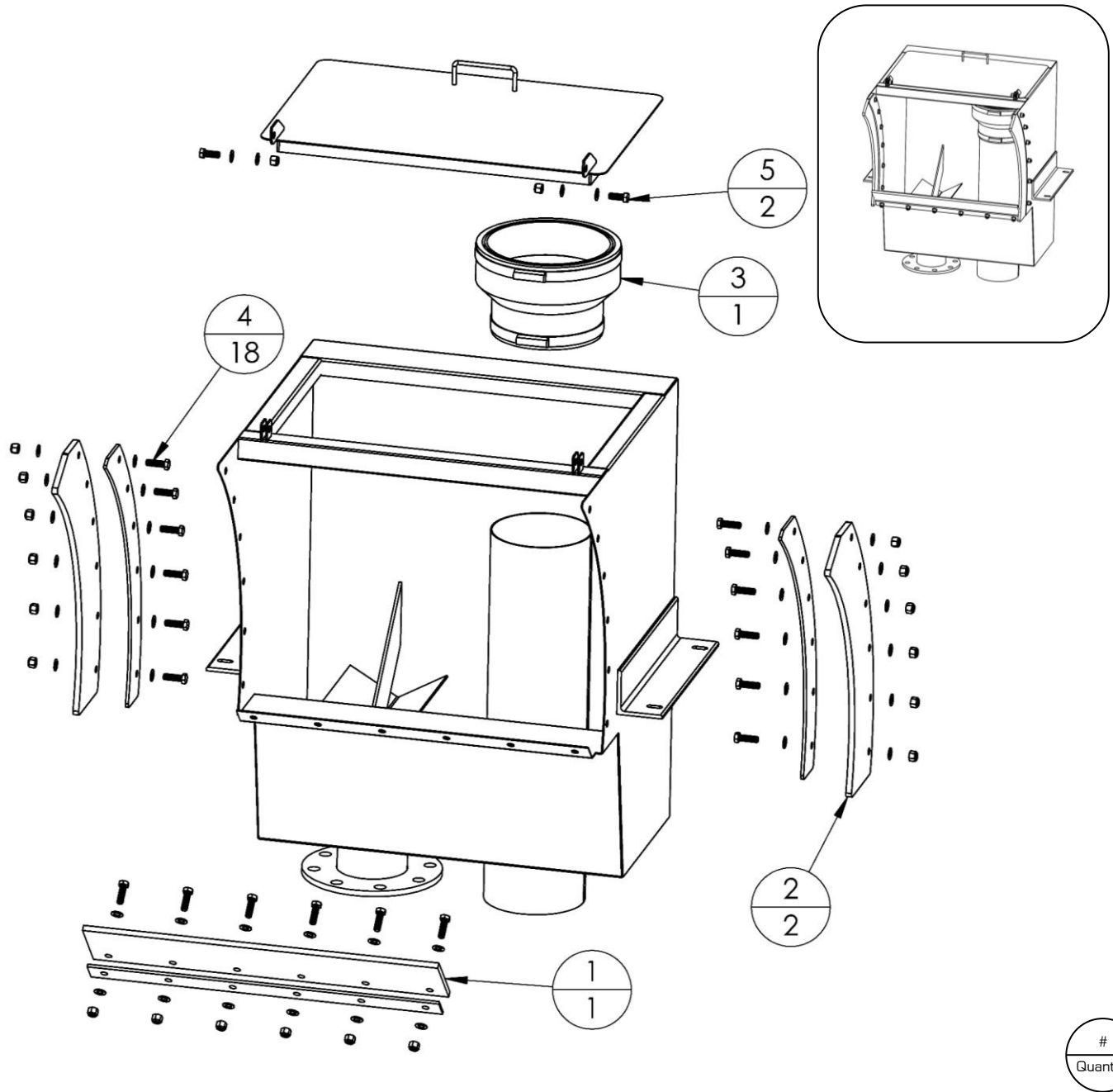


#
Quantity

Label	Part #	Description
1	M326	Nord Gearbox with Motor
	G548	1/2hp Motor Only
	None Assigned	Gearbox Only
2	F776	Pillow Bearing 1-11/16"
3	M512	DTX 24" Replaceable Main Roller Screen Only
	J193	24" DTX Wedge Wire Screen Only
	N412	1/8" Screen Warp Only For 24" DTX
	V301	DTX 24" Replaceable Main Roller Screen With Frame And Shaft

\*Items not listed are considered non-common replacement parts and can be custom ordered upon request.

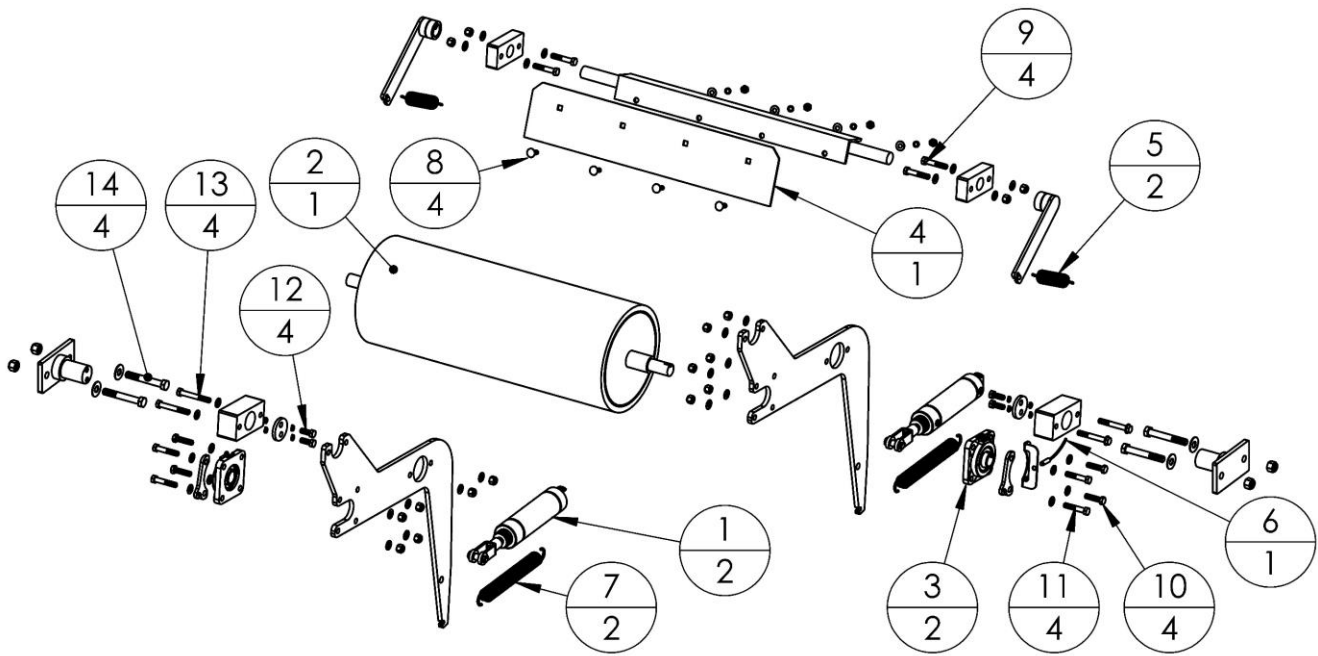
# DTX 24" - Tank Components



Label	Part #	Description
1	P321	DTX Bottom Rubber
2	B402	DTX Side Rubber
3	P564	Bypass Extension (8 x 6
4	T616	3/8" SS Nut
	E143	3/8" SS Washer (uses 36)
	L580	3/8" SS Bolt
5	T616	3/8" SS Nut
	E143	3/8" SS Washer (uses 4)
	L580	3/8" SS Bolt

\*Items not listed are considered non-common replacement parts and can be custom ordered upon request.

## DTX 24" - Top Roller Assembly



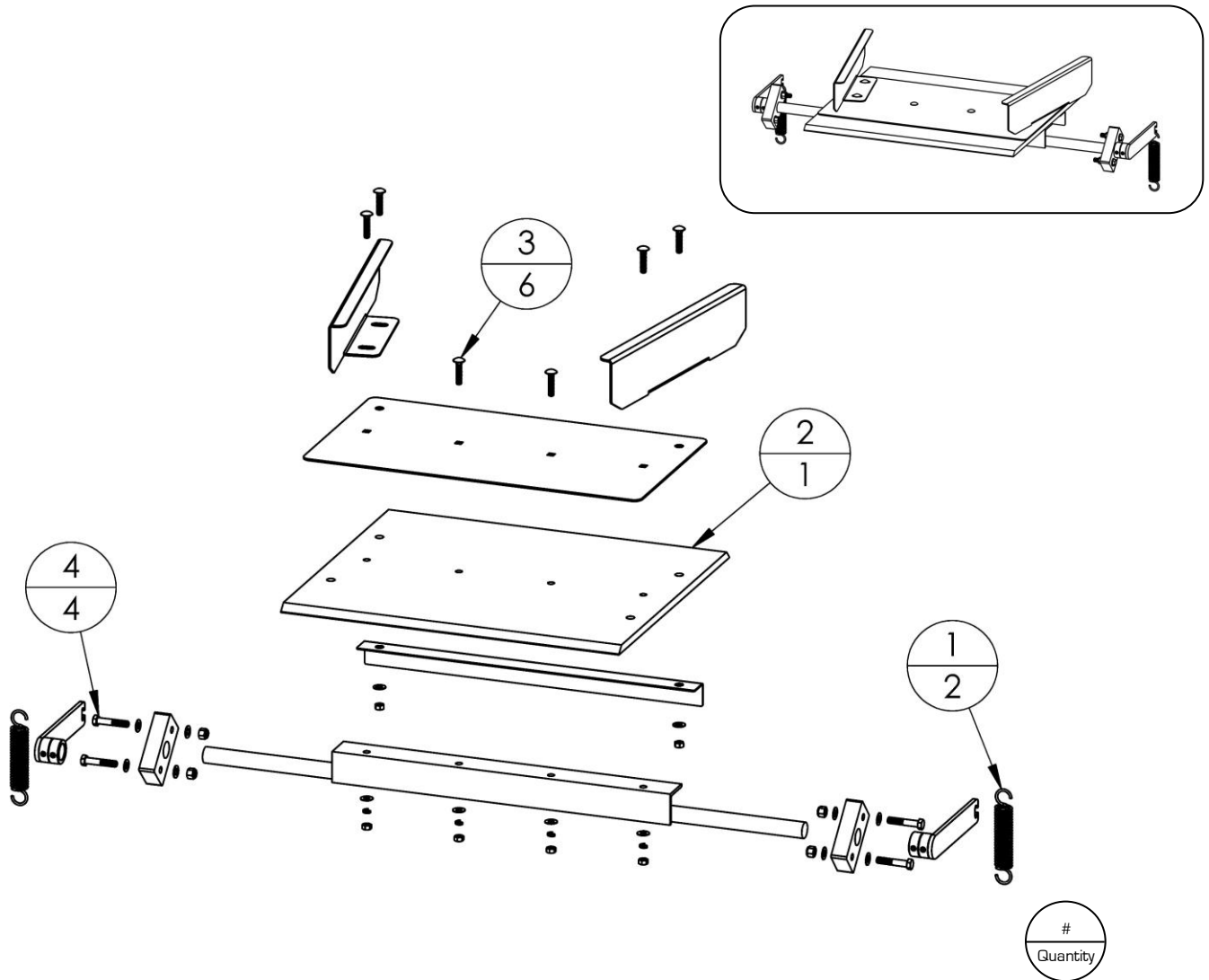
Label	Part #	Description
	R656	24" DTX Top Scraper ASM Complete w/ Arms Springs
1	E304	2 X 4 Air Cylinder
2	R635	DTX 24" Top Roller
3	N261	4-bolt flange bearing
4	C215	DTX Top Roller Scraper
5	Q211	1" Parlor Spring
6	M548	Proximity Sensor for Centrifuge
7	Z346	Extension Spring for top Roller Arm
8	V307	5/16" -18 X 1-1/2" Carriage Bolt
	S581	5/16"-18 SS Nut
	T829	5/16" SS Lock Washer
	Q797	5/16" SS Flat Washer
9	K895	3/8"-16 x 2" SS Hex Head Bolt
	E143	3/8" SS Flat Washer
	M156	3/8"-16 SS Nylock Nut
10	Z175	3/8"-16 x 1-1/2" SS Hex Head Bolt
	E143	3/8" SS Flat Washer
	M156	3/8"-16 SS Nylock Nut

\*Items not listed are considered non-common replacement parts and can be custom ordered upon request.

DTX-24" Top Roller Assembly Parts Continued

Label	Part #	Description
11	K895	3/8"-16 x 2" SS Hex Head Bolt
	E143	3/8" SS Flat Washer
	M156	3/8"-16 SS Nylock Nut
12	O443	3/8"-16 x 1" SS Hex Head Bolt
	G736	3/8" SS Lock Washer
13	M548	Proximity Sensor for Centrifuge
	Z346	Extension Spring for top Roller Arm
	M156	3/8"-16 SS Nylock Nut
14	T385	1/2"-13 x 3-1/2" SS Hex Head Bolt
	U124	1/2" SS Flat Washer
	F567	1/2"-13 SS Nylock Nut

## DTX 24" - Scraper Assembly

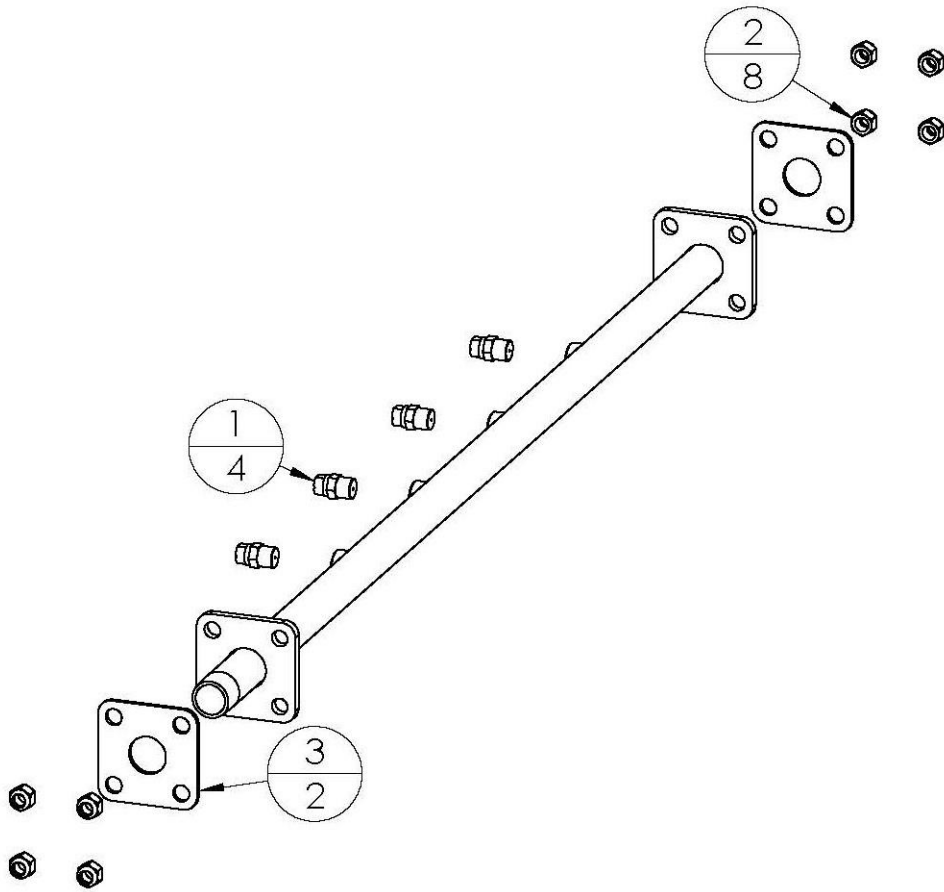


Label	Part #	Description
	M724	24" DTX Bottom Scraper ASM Complete w/ Arms & Springs
1	Q211	1" Parlor Spring
2	N246	DTX 24" UHMW Screen Scraper
3	Q541	5/16" -18 X 1-1/2" Carriage Bolt
	S581	5/16" - 18 SS Hex Nut
	J470	5/16" SS Lock Washer
	Q797	5/16" SS Flat Washer
4	K895	3/8" - 16 x 2" SS Hex Head Bolt
	E143	3/8" SS Flat Washer
	M156	3/8"-16 SS Nylock Nut

\*Items not listed are considered non-common replacement parts and can be custom ordered upon request.

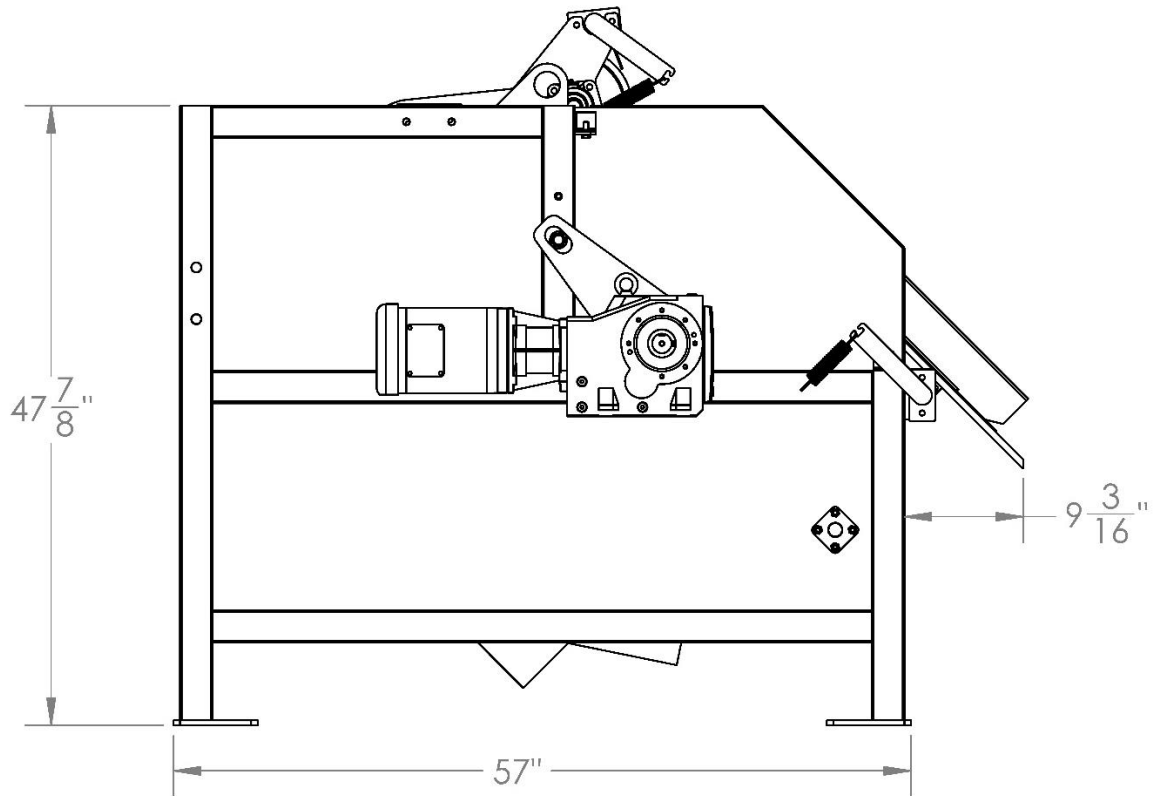
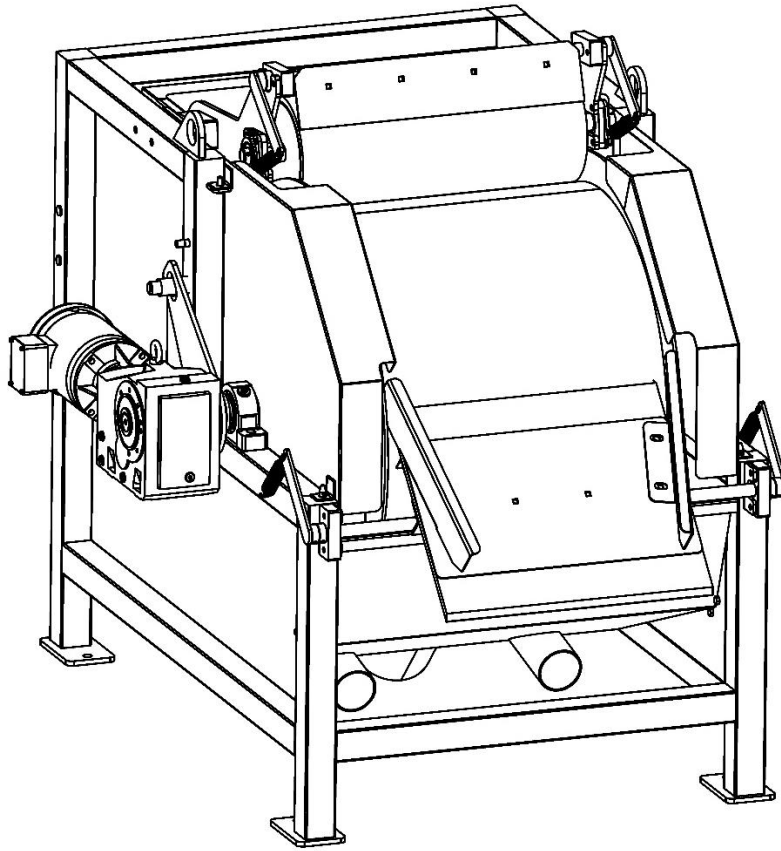


## DTX 24" - Optional Spray Bar

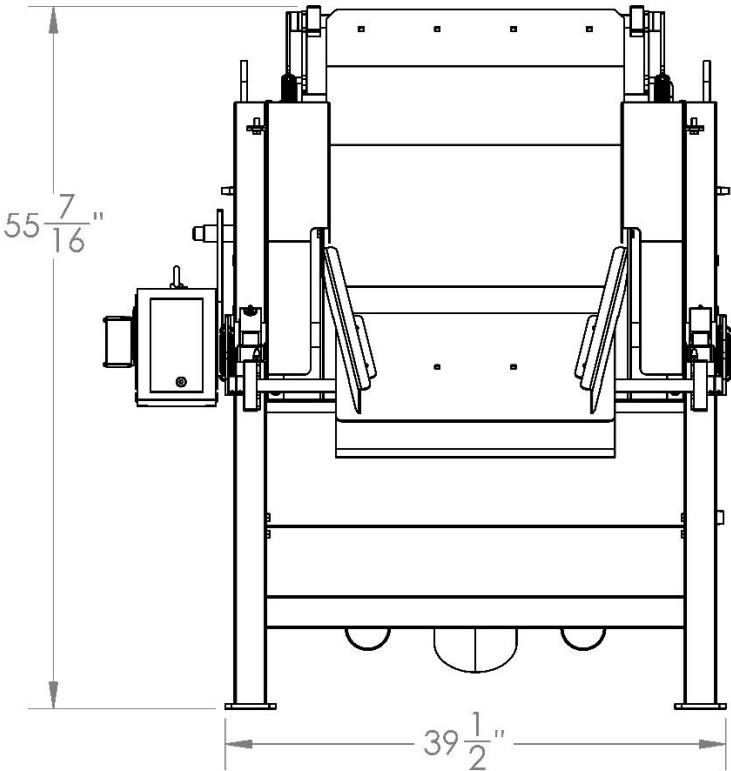
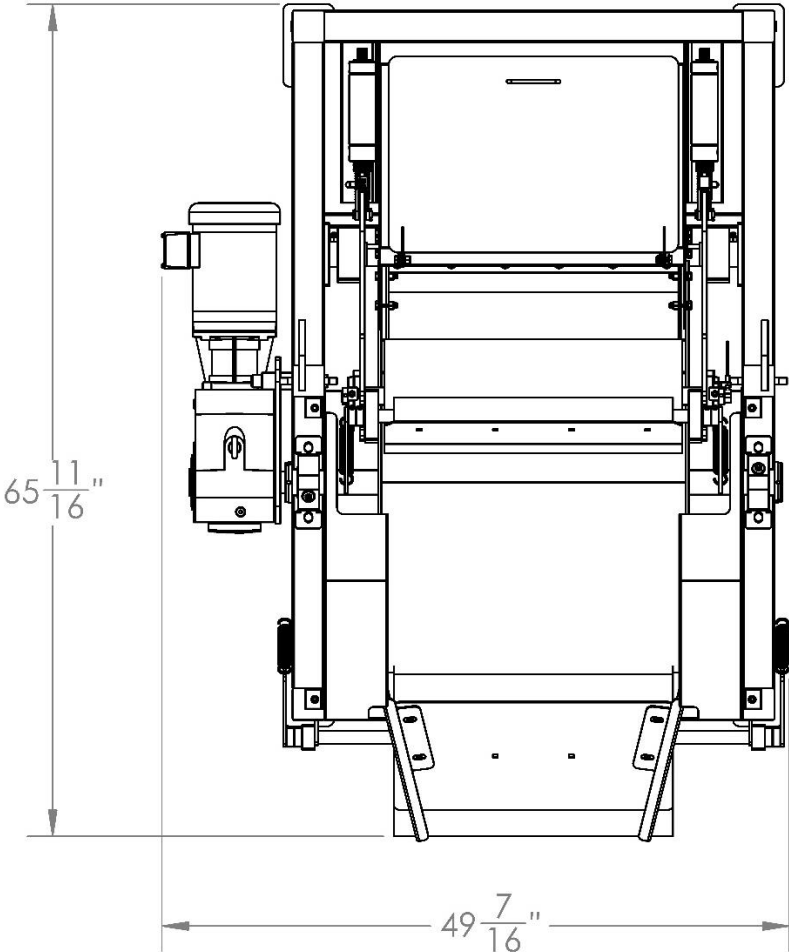


Label	Part#	Description
1	R455	Spray Nozzle 95-10
2	K129	Gasket
3	M156	3/8" SS Nylock Nuts

DTX 24" - Overall Dimensions



DTX 24" - Overall Dimensions





---

For Technical Support, to order Replacement Parts, or for questions about other products,  
please contact your local dealer.

---