



DARITECH INC
Manure Management

The
DTX
by DARITECH

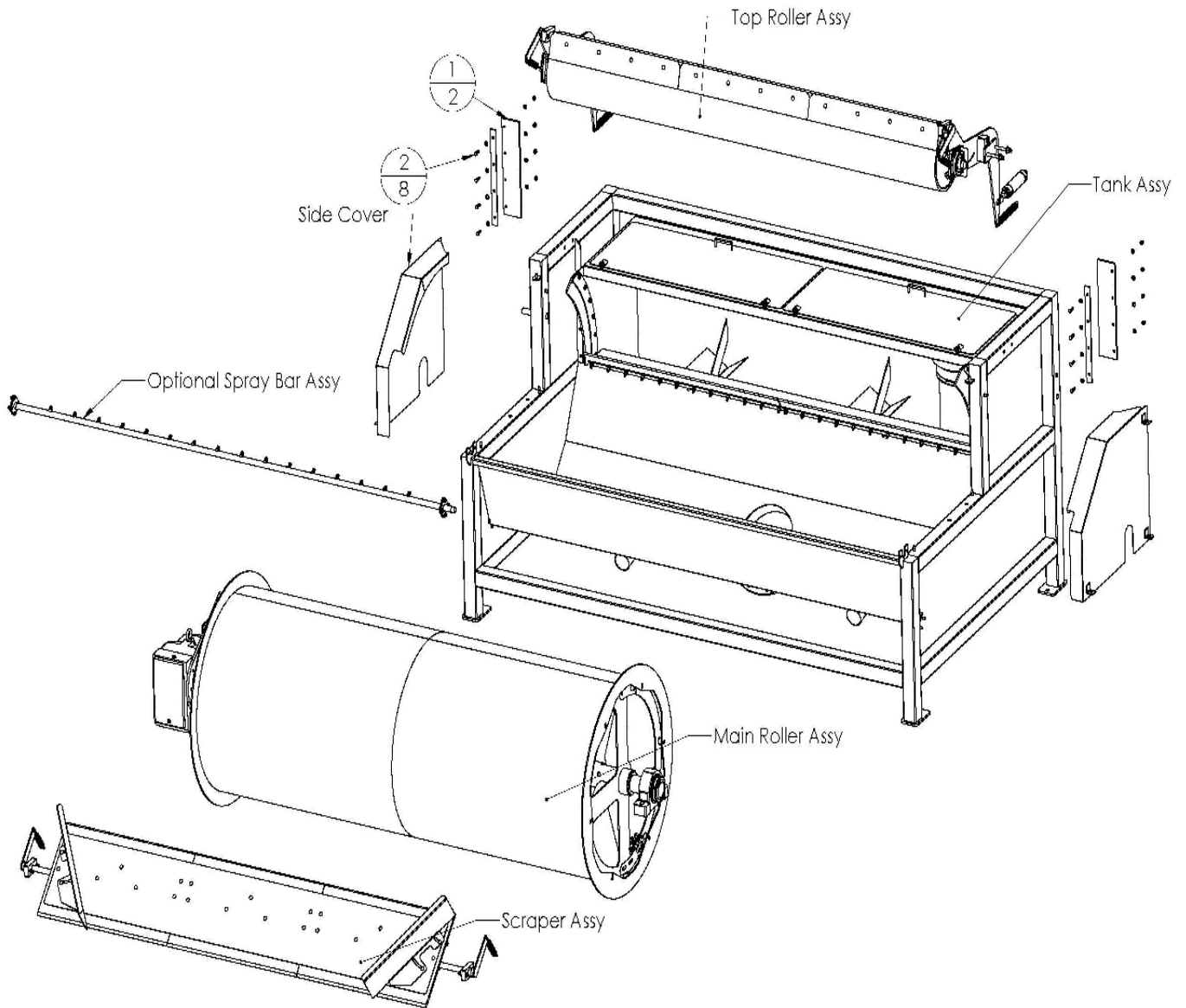
Part Manual



For Model:

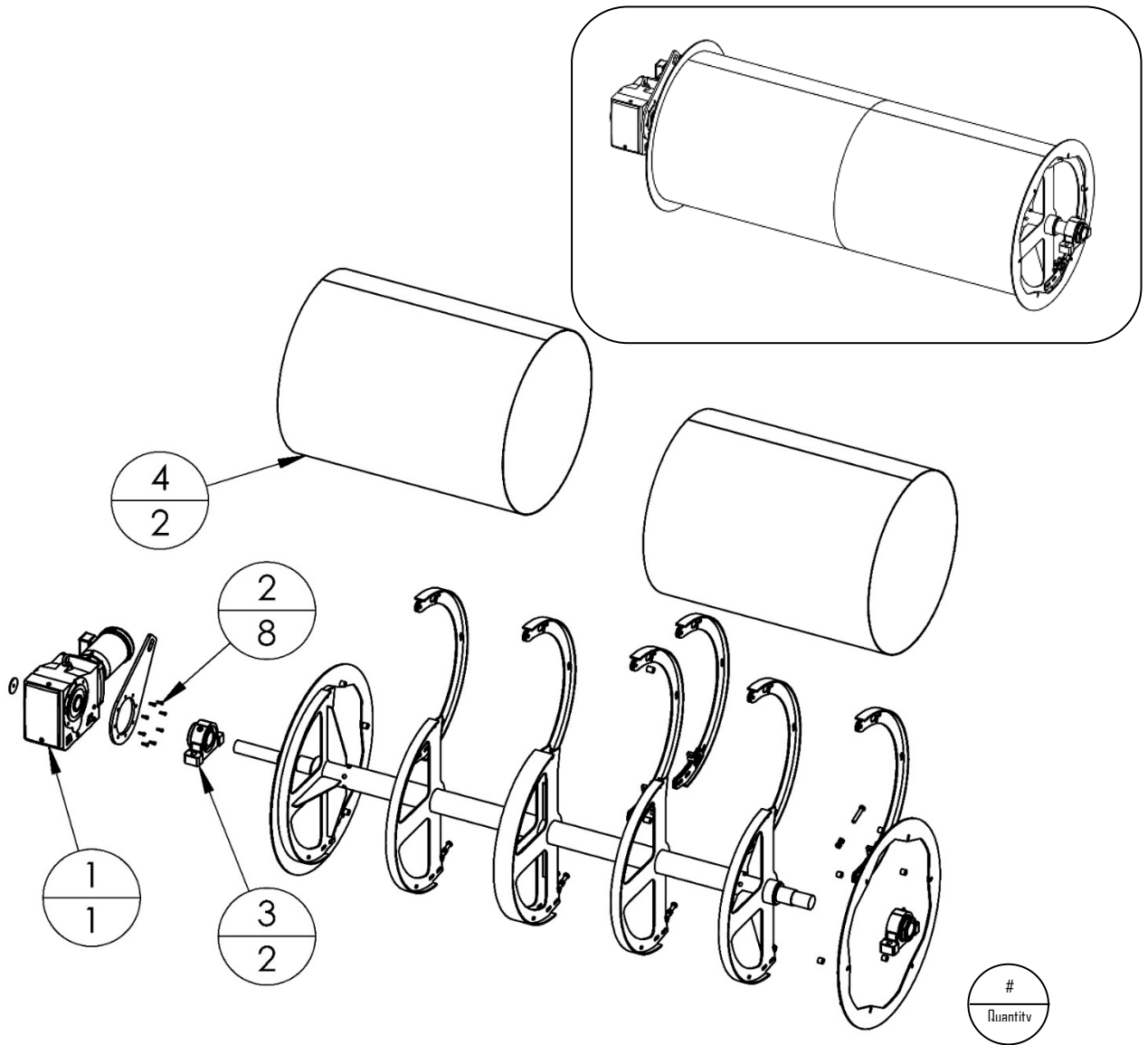
**DTeXternal Separator 96\"
(DTX)**

DTX-96" - Components



Label	Part #	Description
1	A207	DTX Rubber Strip Vertical
2	L580	3/8"-16 x 1-1/4" SS Hex Bolt
	E143	3/8" SS Flat Washer
	M156	3/8"-16 SS Nylock Nut

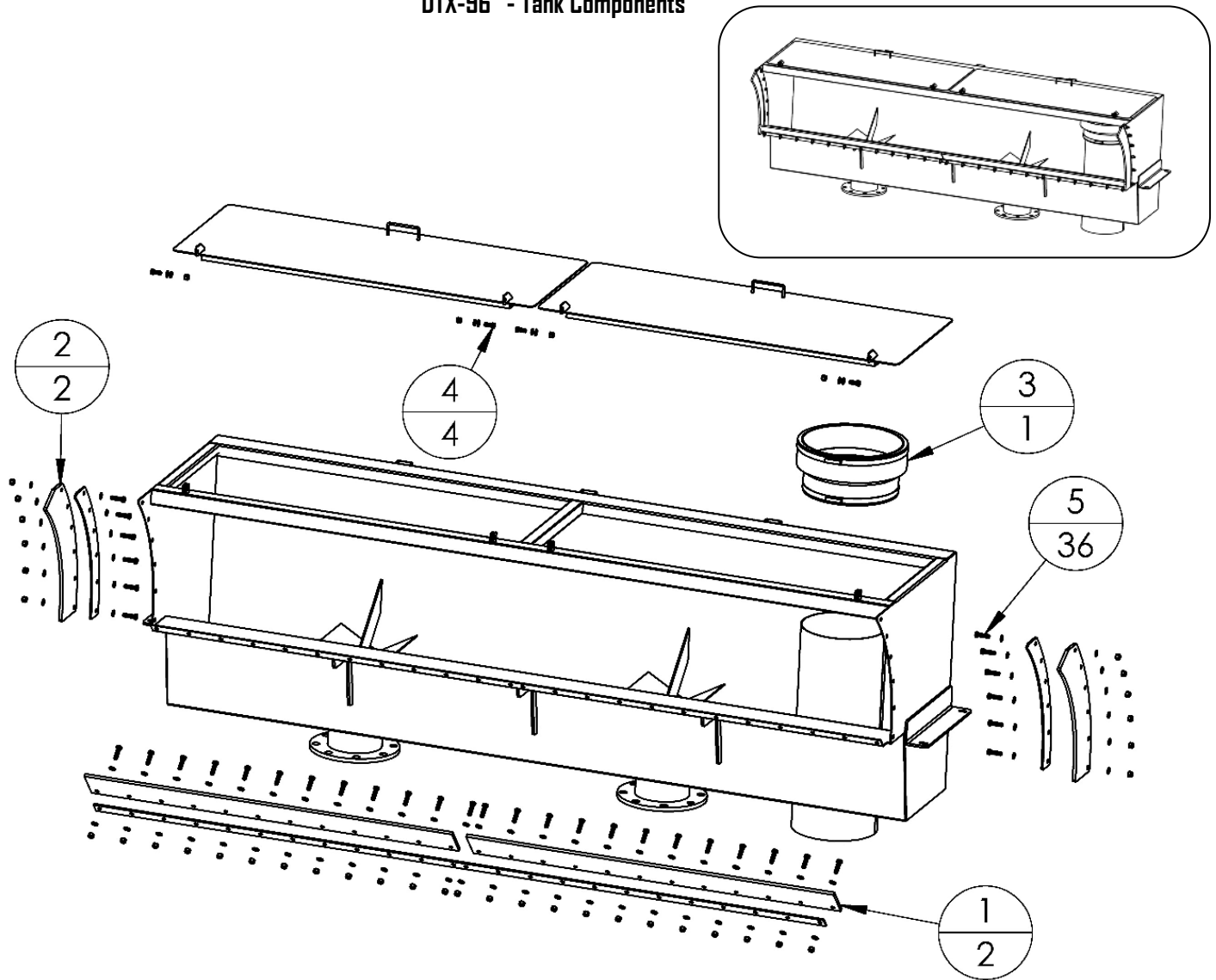
DTX-96" - Main Roller ASM



Label	Part #	Description
1	K154	Nord Gearbox - 2HP w/Motor 3 PH. 235:1 (DTX 96")
	A189	Nord Motor 2 HP 140TC 3 PH 50/60
	0199	Nord Gearbox Only 2HP 235:1 (DTX 96")
2	T534	8.8 M8 - 1.25X25 Zinc Hex Bolt
3	F714	Dodge Pillow Block Bearing 2-11/16" - 2-Bolt - P2B-S2-211R (DTX 96)
4	S696	96" DTX Perforated Complete Screen (Bolt Together/Re-Screenable)
	K799	DTX 96" Replacement 1/8" Screen Shell Set Only
	E129	DTX 96" Replacement 1/16" Screen Shell Set Only
	S651	96" DTX Wedge Wire Complete Screen (Bolt Together/Replaceable Screen)
	C147	96" DTX Wedge Wire Screen Shell Only

*Items not listed are considered non-common replacement parts and can be custom ordered upon request.

DTX-96" - Tank Components

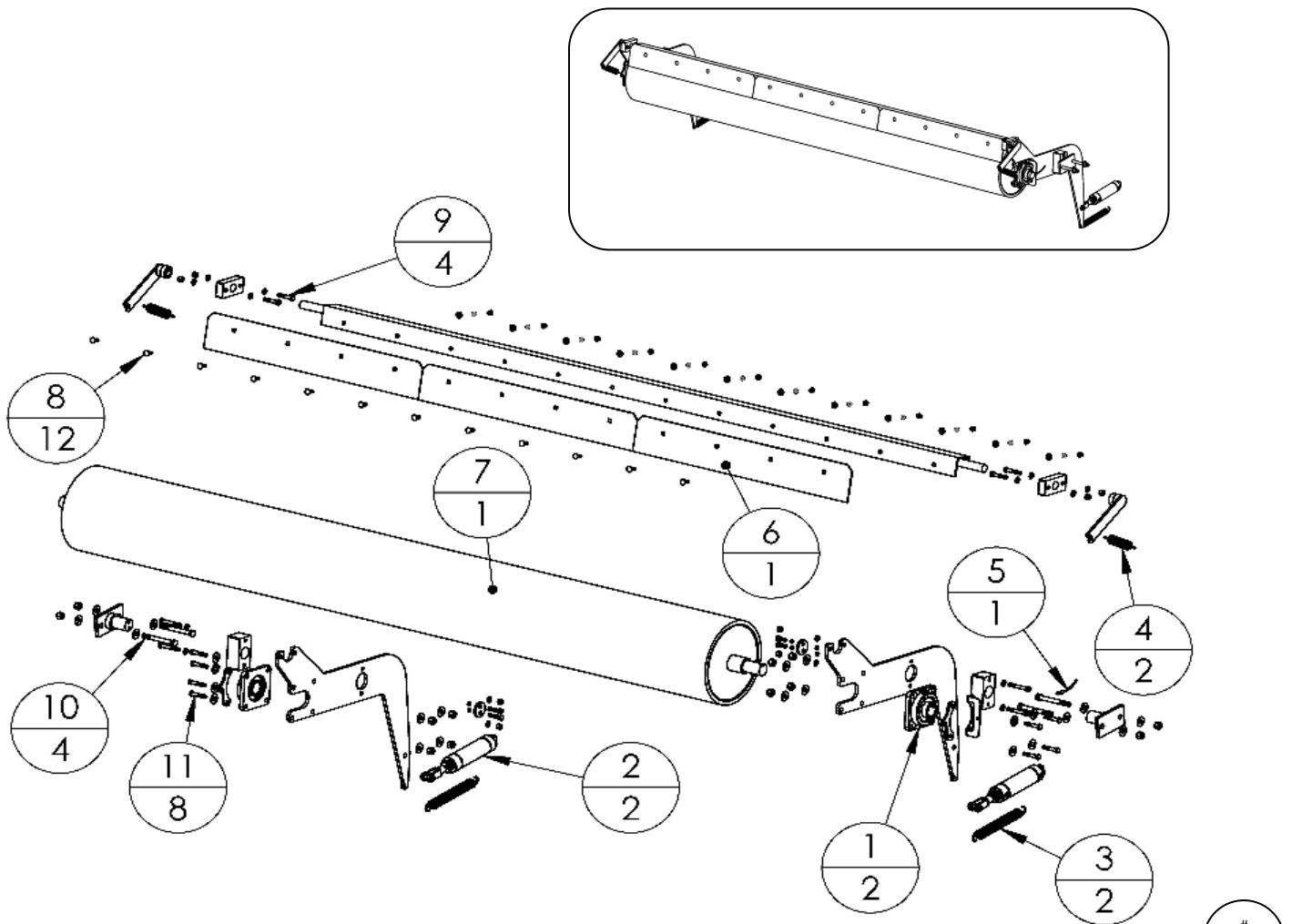


#
Quantity

Label	Part #	Description
1	P639	DTX-96 Bottom Rubber
2	L746	DTX rubber Side 48 - 3/8" Black Urethane 60A Durometer
3	P775	10" X 8" Fernco Coupling
4	Q443	3/8" - 16 X 1" SS Hex Head Bolt
	E143	3/8" - 7/8" SS Flat Washer
	M156	3/8" - 16 SS Nylak Nut
5	Z175	3/8" - 16 X 1-1/2" SS Hex Head Bolt
	E143	3/8" - 7/8" SS Flat Washer
	M156	3/8" - 16 SS Nylak Nut

*Items not listed are considered non-common replacement parts and can be custom ordered upon request.

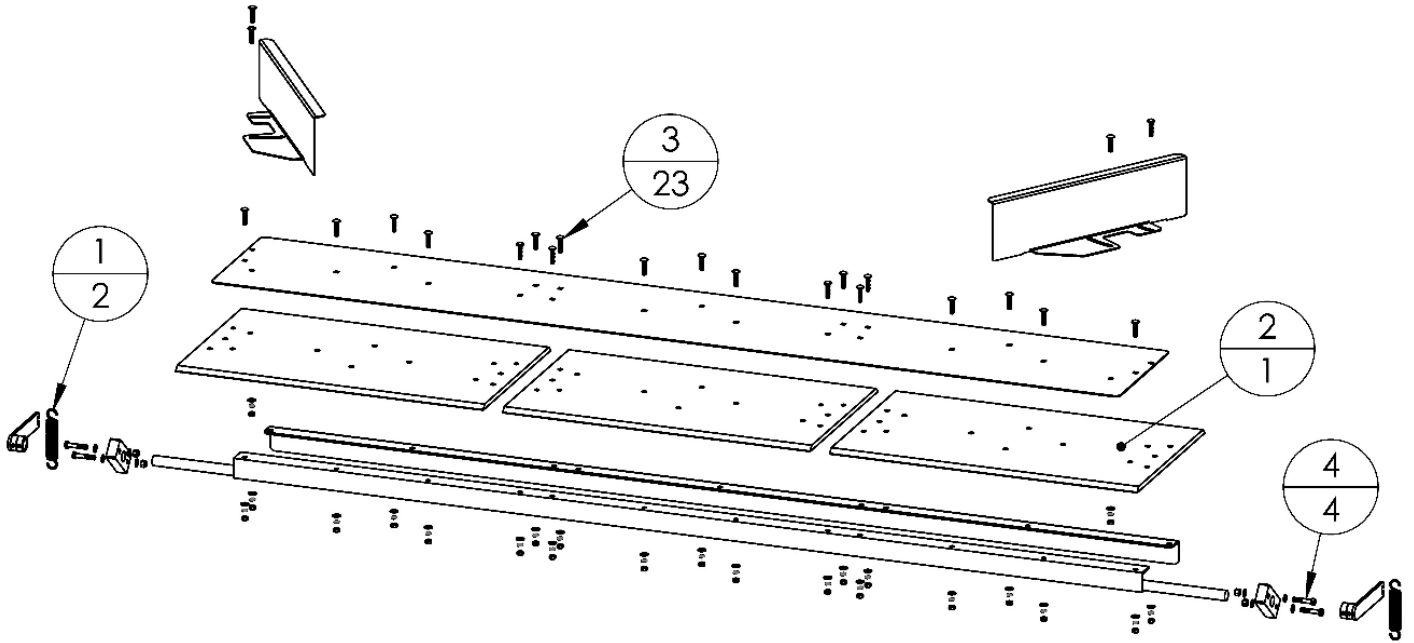
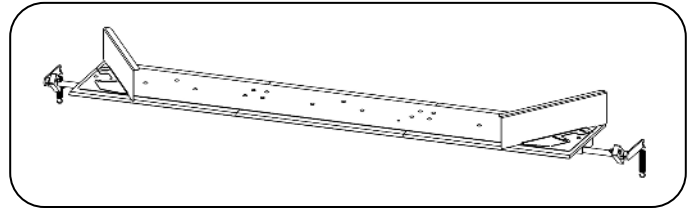
DTX-96" - Top Roller Assembly



Label	Part #	Description	# Quantitv
1	X862	4-Bolt Flange Bearing 1-1/2" Bore, Double Set Screw (DTX48/96)	
2	E304	2 X 4 Air Cylinder	
3	J637	1" X 5" SS Ext Spring 10.41 LB/IN	
4	Z346	1" X 8" SS Ext Spring 22.78 LB/IN	
5	M548	DTX Top Roller Proximity Sensor	
6	S382	DTX-96 Top Roller Scraper	
7	K590	DTX-96 Top Roller (Rubber)	
8	U130	5/16" X 1" Carriage Bolt	
	S581	5/16" - 18 SS Nut	
	J470	5/16" SS Lock Washer	
	Q797	5/16" - 3/4" SS Flat Washer	
9	K895	3/8" - 16 X 2" SS Bolt	
10	G780	3/8" - 16 X 2-3/4" SS Bolt	
11	D131	1/2" X 2" SS Bolt	
	N700	96" DTX Top Scraper Assembly Complete w/ Arms & Springs	

*Items not listed are considered non-common replacement parts and can be custom ordered upon request.

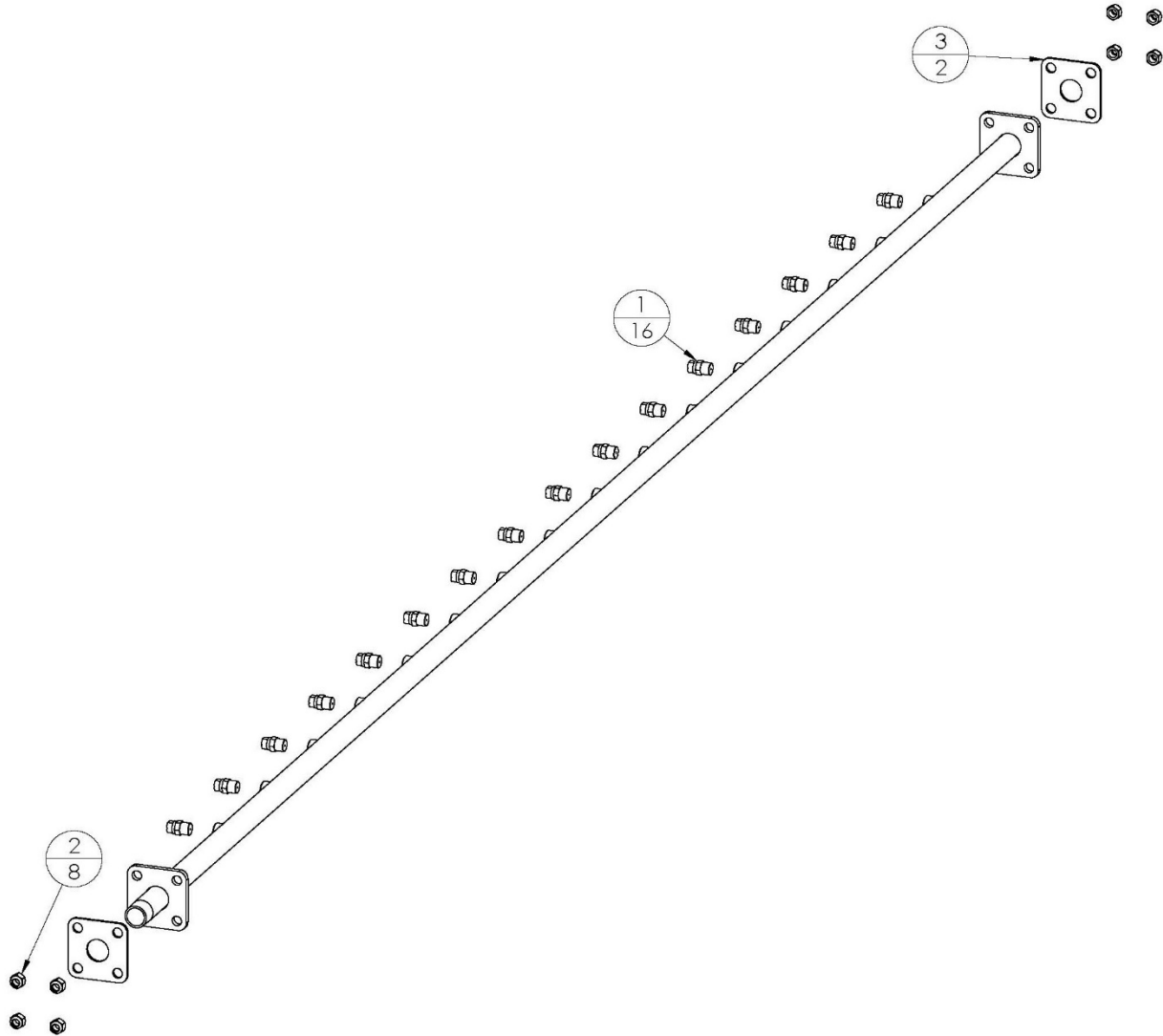
DTX-96" - Scraper Assembly



Label	Part #	Description	# Quantity
	Y193	96" DTX Bottom Scraper Assembly Complete w/ Arms & Springs	
1	Q211	1" X 5" SS Ext Spring 10.41 LB/IN	
2	V628	DTX 96 Screen Scraper - 1/2" Black HDPE REPRO E-72661	
3	Q541	5/16" 18 X 1-1/2" Carriage Bolt	
	S581	5/16" SS Nut	
	T829	5/16" SS Lock Washer	
	Q797	5/16" SS Flat Washer	
4	T720	3/8" X 2-1/4" SS Bolt	
	G736	3/8" - 7/8" SS Lock Washer	
	E143	3/8" - 7/8" SS Flat Washer	
	M156	3/8" - 16 SS Nylak Nut	

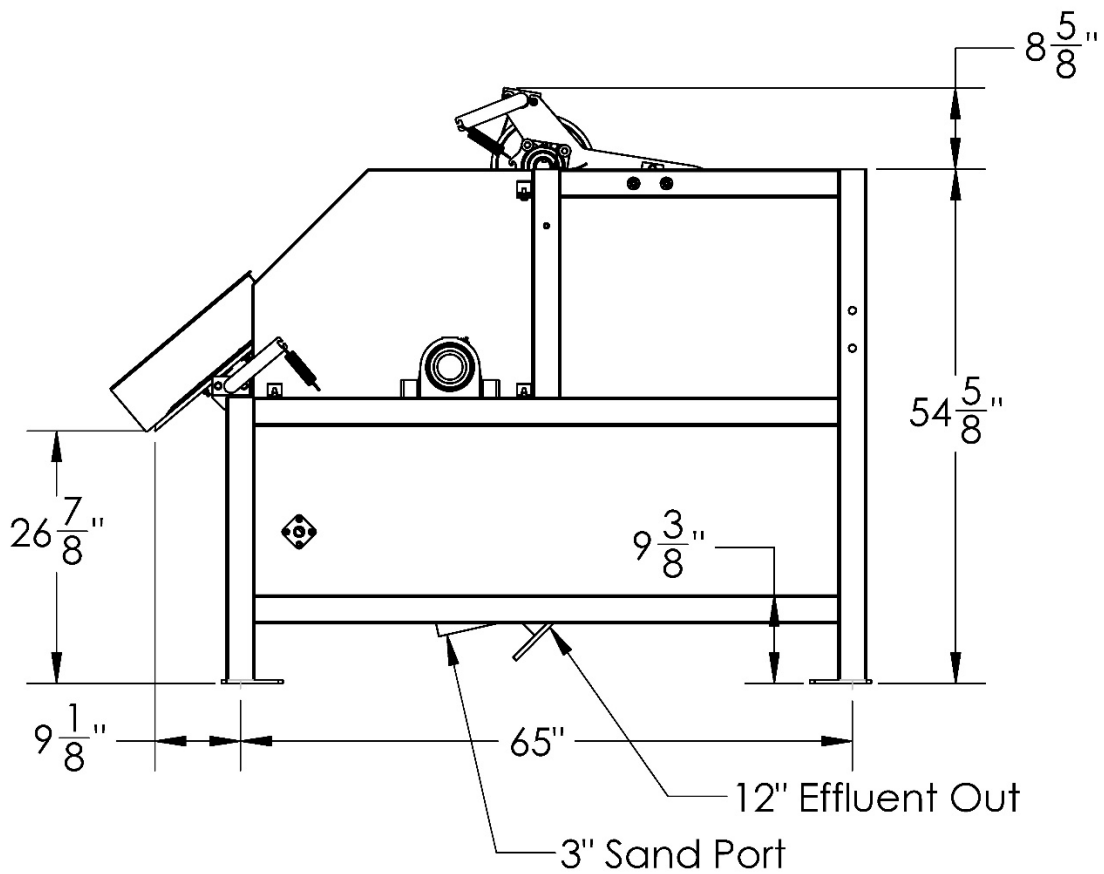
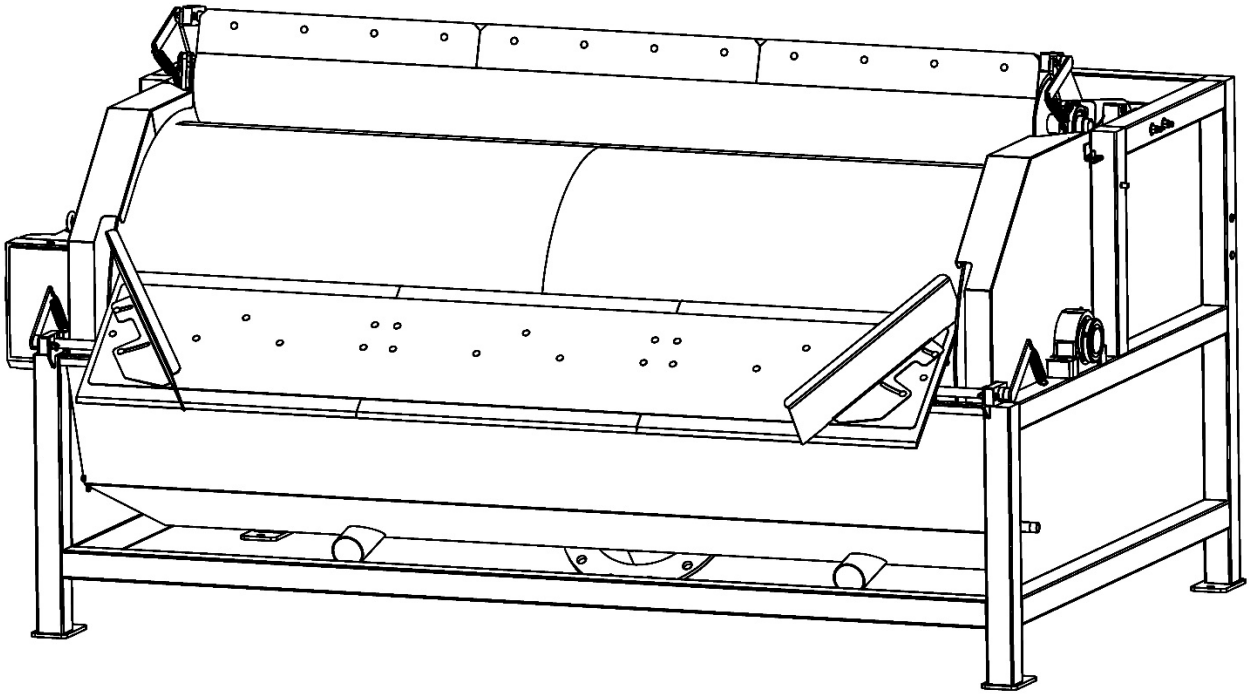
*Items not listed are considered non-common replacement parts and can be custom ordered upon request.

DTX 96" – Optional Spray Bar

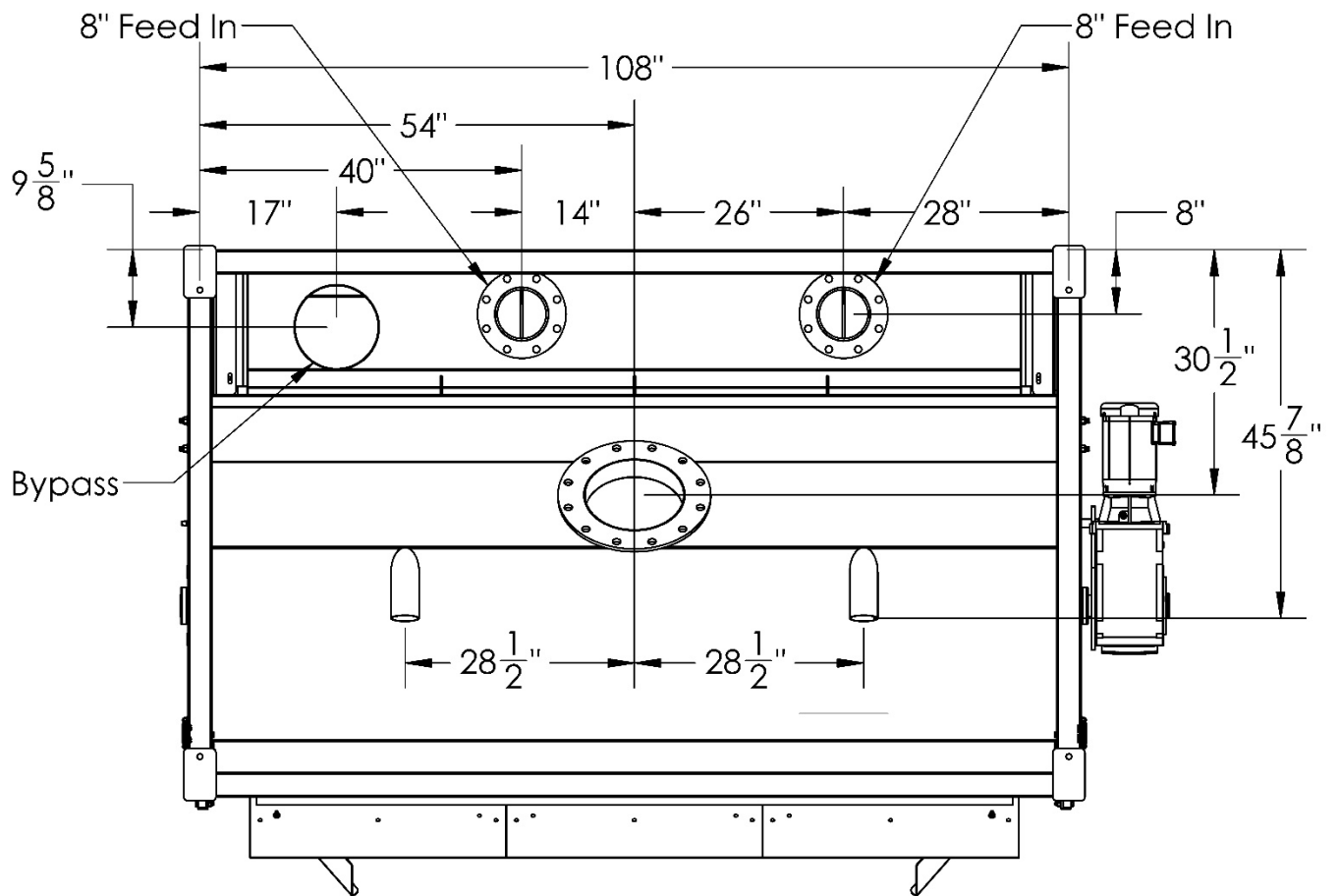
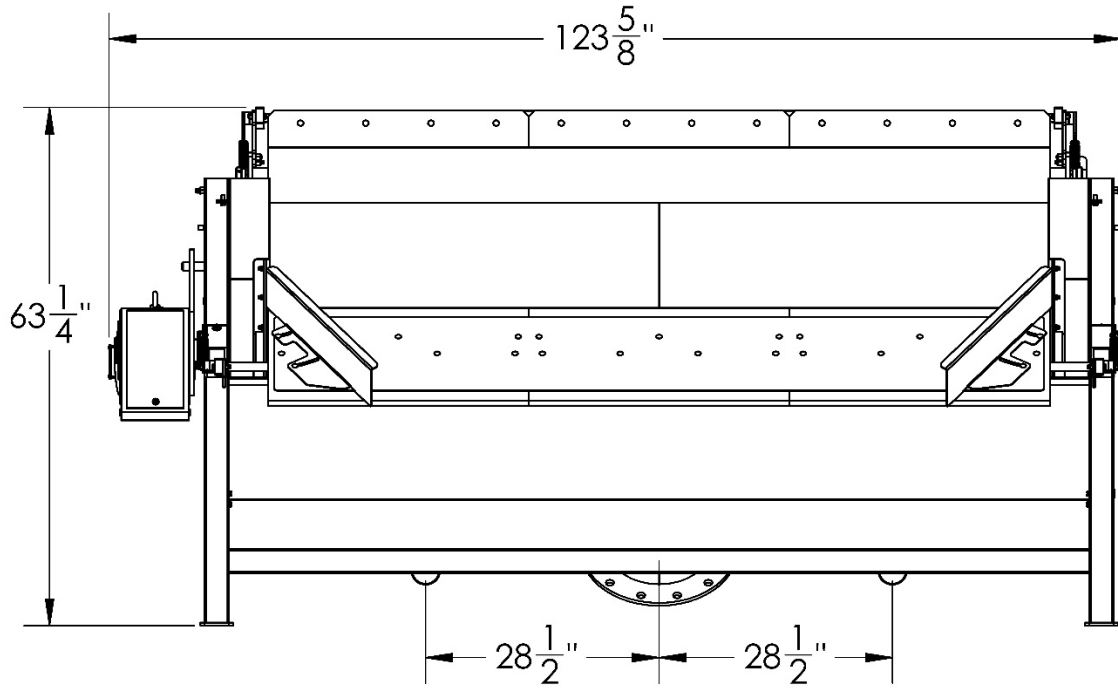


Label	Part#	Description
1	R455	DT360 1/4" SS Spray Nozzle 9510
2	M156	3/8" SS Nylock Nuts
3	K129	Spray Bar Gasket 1/8" Black Neoprene – DIE M303NEI

DTX-96" - Overall Dimensions



DTX-96" - Overall Dimensions



For Technical Support, to order Replacement Parts, or for questions about other products, please contact your local dealer.

