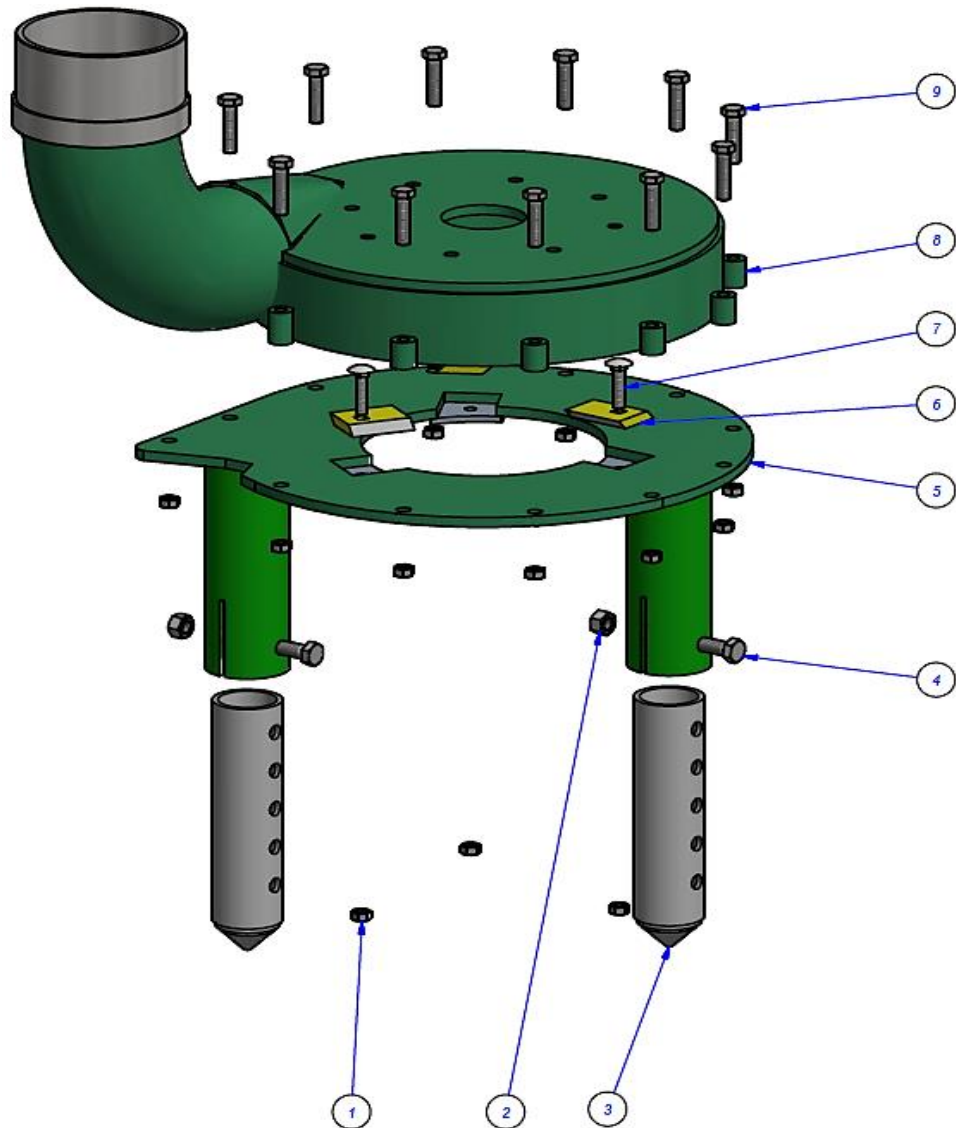


E-Series Housing (Classic)



Dwg. #	Item	Description	Qty.
1	S401	M10-1.5 Zinc Hex Nut	15
2	G216	M14-2.0 Zinc Hex Nut	2
3	U461	Adjustable Foot for E-Series Bottom Plate	2
4	S781	M14x 100mm SS Hex Bolt	2
5	C122	E-Series Bottom Plate (Mix/Classic)	1
6	D589	E-Series Cutter Blade for Bottom Plate (Classic/Mix)	3
7	Y705	M10-1.5 x 40mm Zinc Steel Carriage Bolt	3
8	Q293	E-Series Impeller Housing (Classic/Mixpump)	1
9	D355	M12 x 50mm Zinc Hex Bolt	12