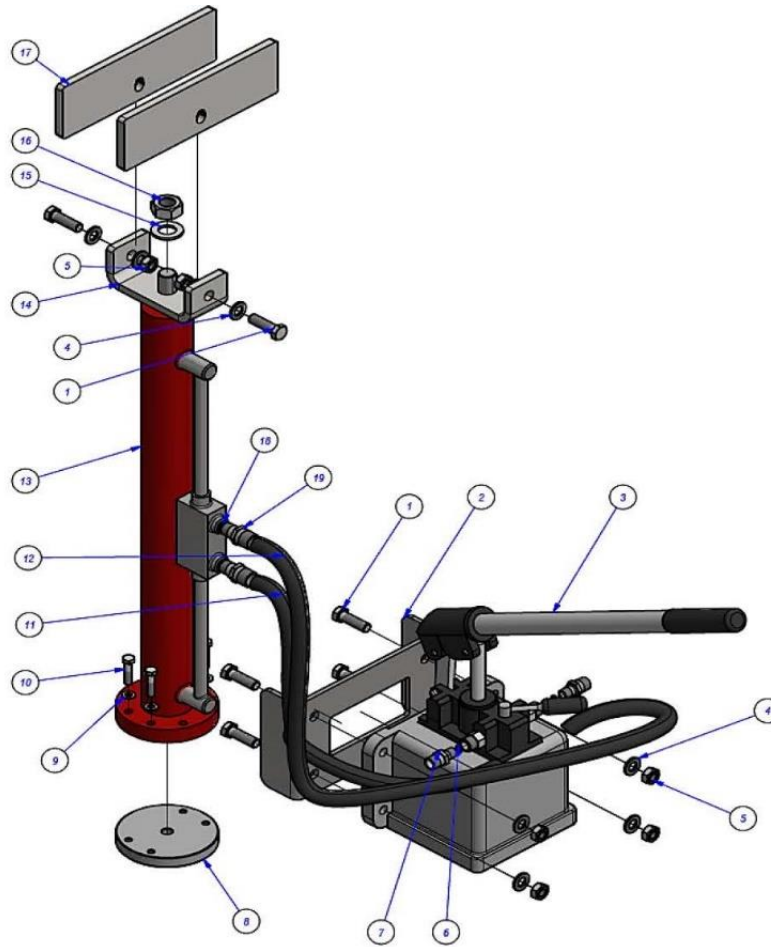


Hydraulic Tensioner for EYS Chain Scraper Drive



Dwg. #	Part #	Description	Qty.
1	T203	8.8 M12-1.75 X 40mm Zinc Hex Bolt	6
2	B196	Hand Pump Connection Plate	1
3	R808	Dbl. Acting Hyd. Hand Pump	1
4	M378	M12 Zinc Flat Washer	8
5	Z251	M12-1.75 Zinc Hex Nut	6
6	Q838	1/4" Copper Washer	2
7	M292	M18 X 1/4" Hyd. Hose Adapter	2
8	M201	Base Plate for Hyd. Cylinder	1
9	S277	M8.4 Zinc Flat Washer	4
10	Z823	M8 x 35mm Zinc Hex Bolt	4
11	J295	Hydraulic Hose - 50 cm Long	1
12	C743	Hydraulic Hose - 75cm Long	1
13	V284	Hydraulic Cylinder for EYS Chain Scraper Tensioner	1
14	T387	Cylinder Bracket for Hydraulic Tensioner	1
15	B200	M20 Zinc Flat Washer	1
16	U746	M20 Zinc Hex Nut	1
17	V238	Upper Body Shim	1
18	R388	3/8" Copper Washer	2
19	C885	M18 x 3/4" Hyd. Hose Adapter	2
-	U875	Hydraulic Tensioner Update Kit (Chain Scraper Drive)	1