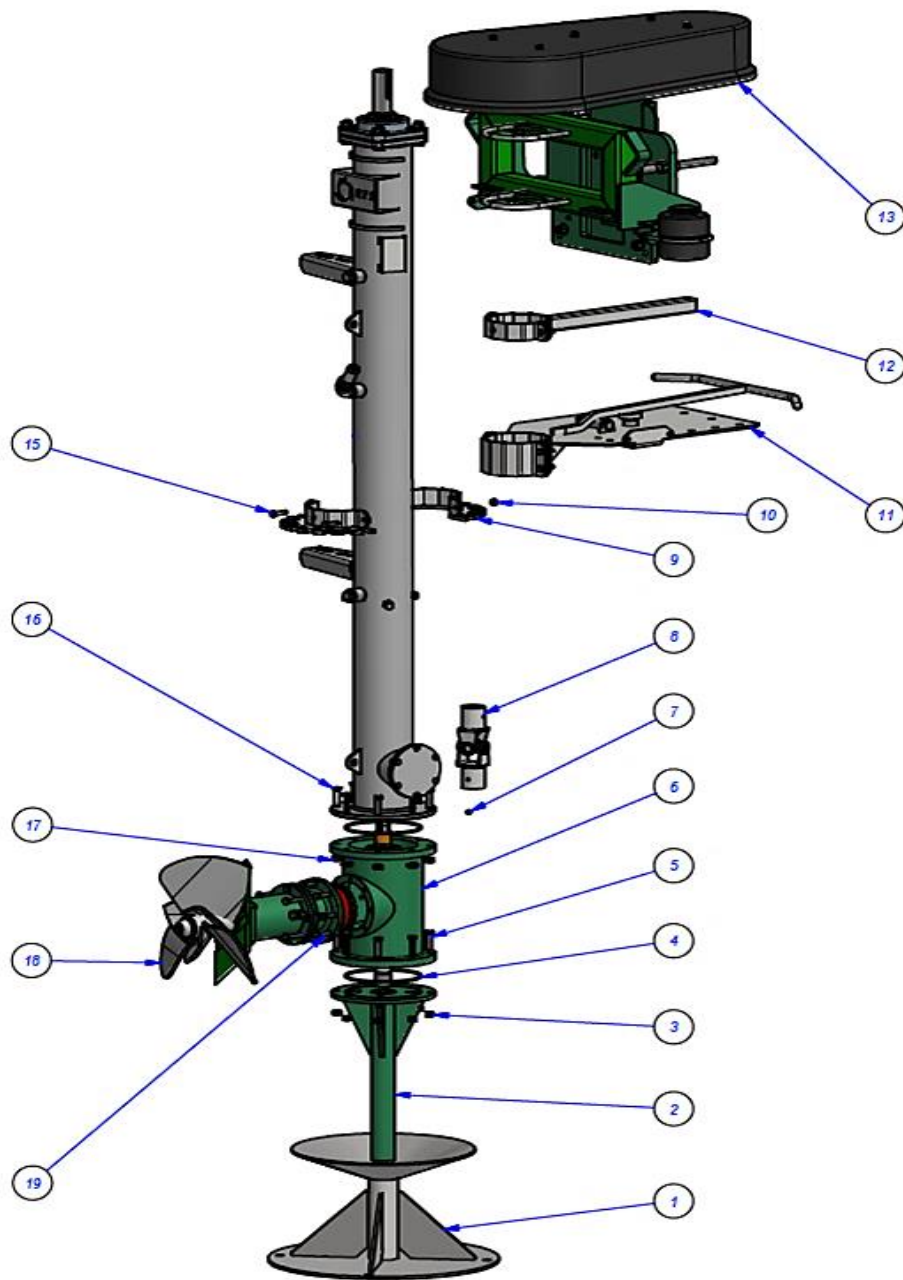
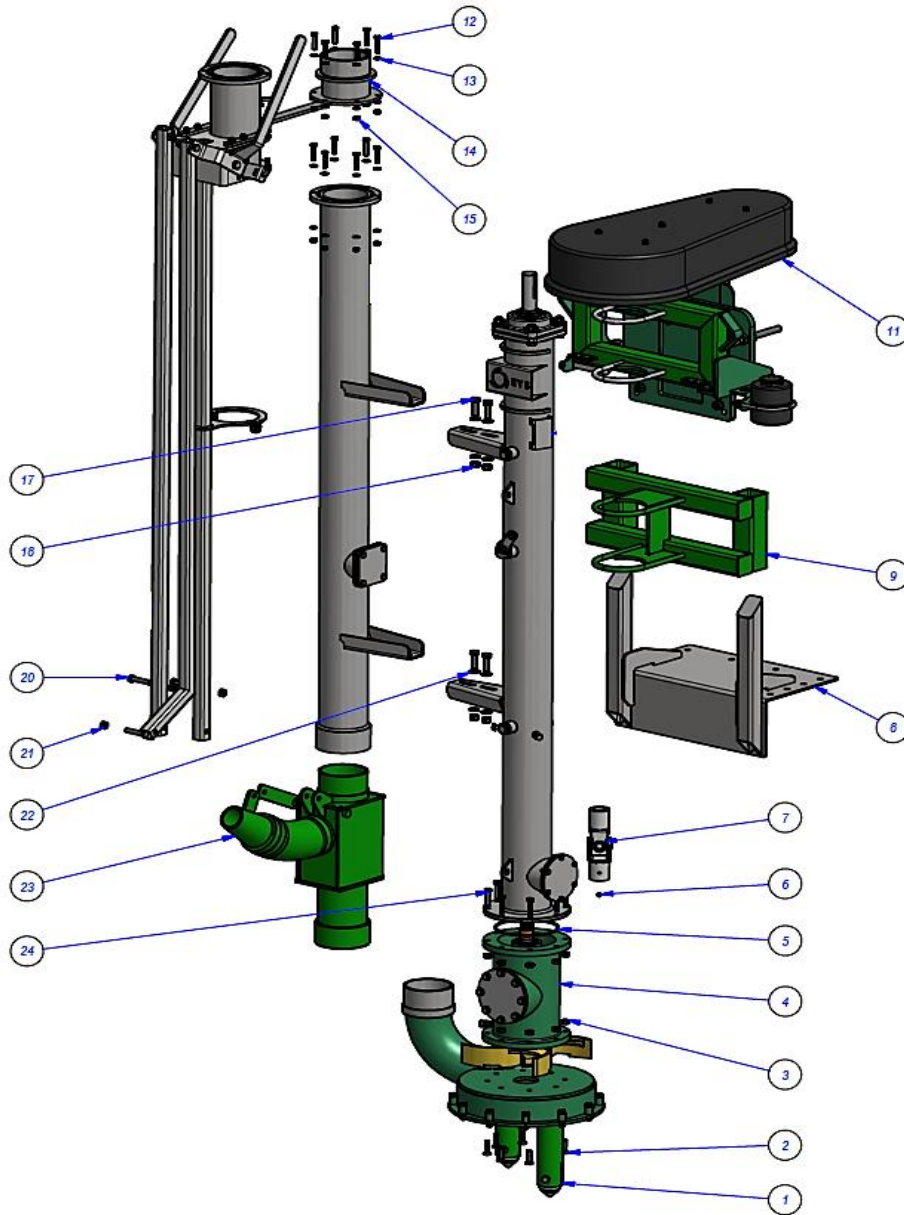


## E-Series Agitator



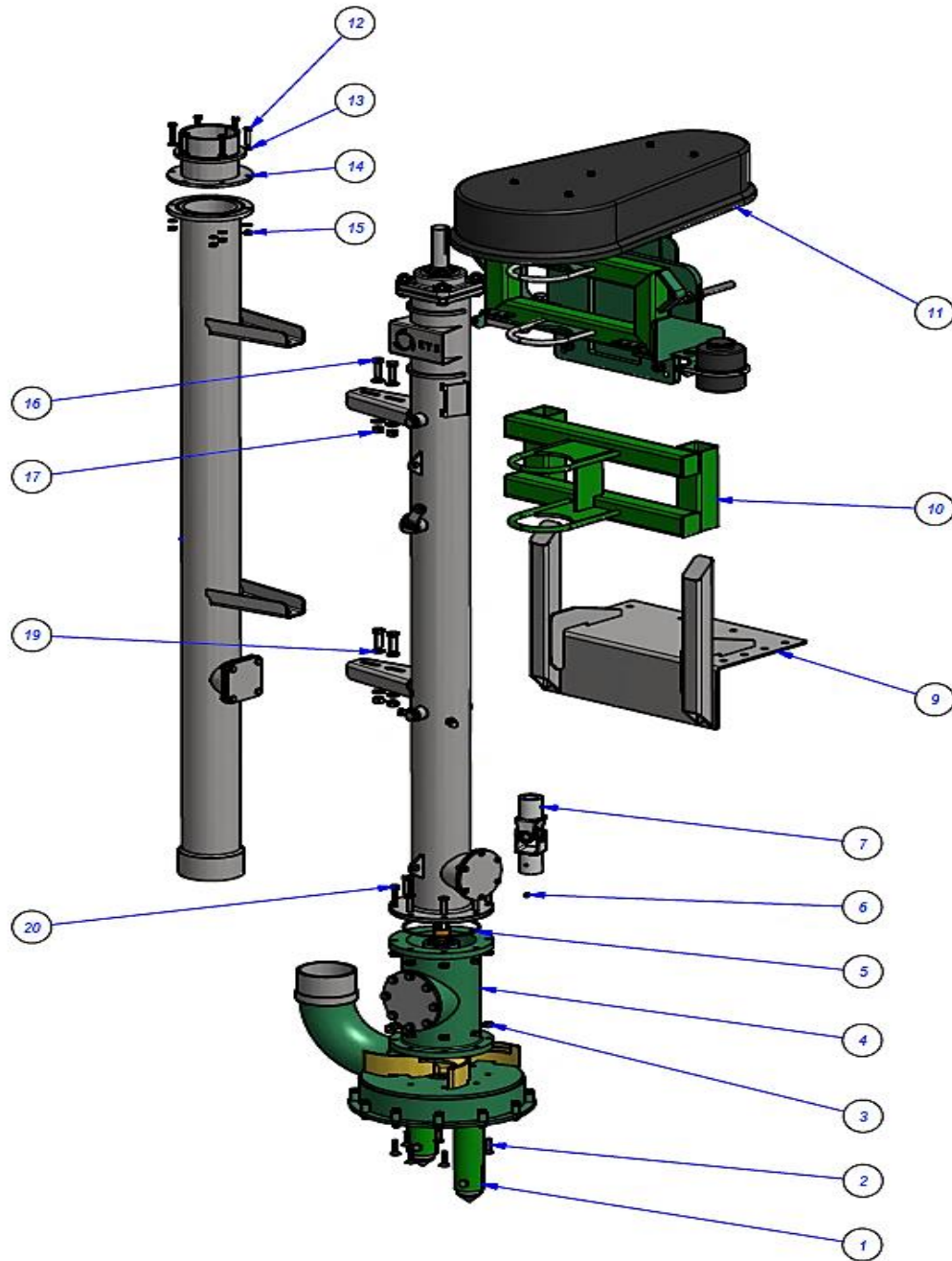
Dwg. #	Item	Description	Qty.
1	L455	E-Series Agitator Base	1
2	K180	Greenline E-Series Base Pedestal w/ Rotation	1
3	Z251	M12-1.75 Zinc Hex Nut	8
4	K719	190x5.30mm Nitrile O-Ring	2
5	D355	M12 x 50mm Zinc Hex Bolt	8
6	P179	E-Series Gearbox Only - (Mix-Pump/Agitator)	1
7	K112	M10 x 12mm Zinc Set Screw	1
8	A304	U-Joint for E-Series Drive Shaft	1
9	D716	Pit Connection Support Ring (E-Series Agitator)	1
10	S401	M10-1.5 Zinc Hex Nut	2
11	S683	Pit Connection Assembly (E-Series Agitator)	1
12	G275	Rotating Arm (E-Series Agitator)	1
13	X570	Greenline E-Series Mount Assembly	1
15	C464	M10 x 40mm Zinc Hex Bolt	2
16	D355	M12 x 50mm Zinc Hex Bolt	8
17	Z251	M12-1.75 Zinc Hex Nut	8
18	T305	Hydraulic Fitting	1
19	T203	8.8 M12-1.75 x 40mm Zinc Hex Bolt	8

## E-Series Classic Pump w/ Nozzle Agitation



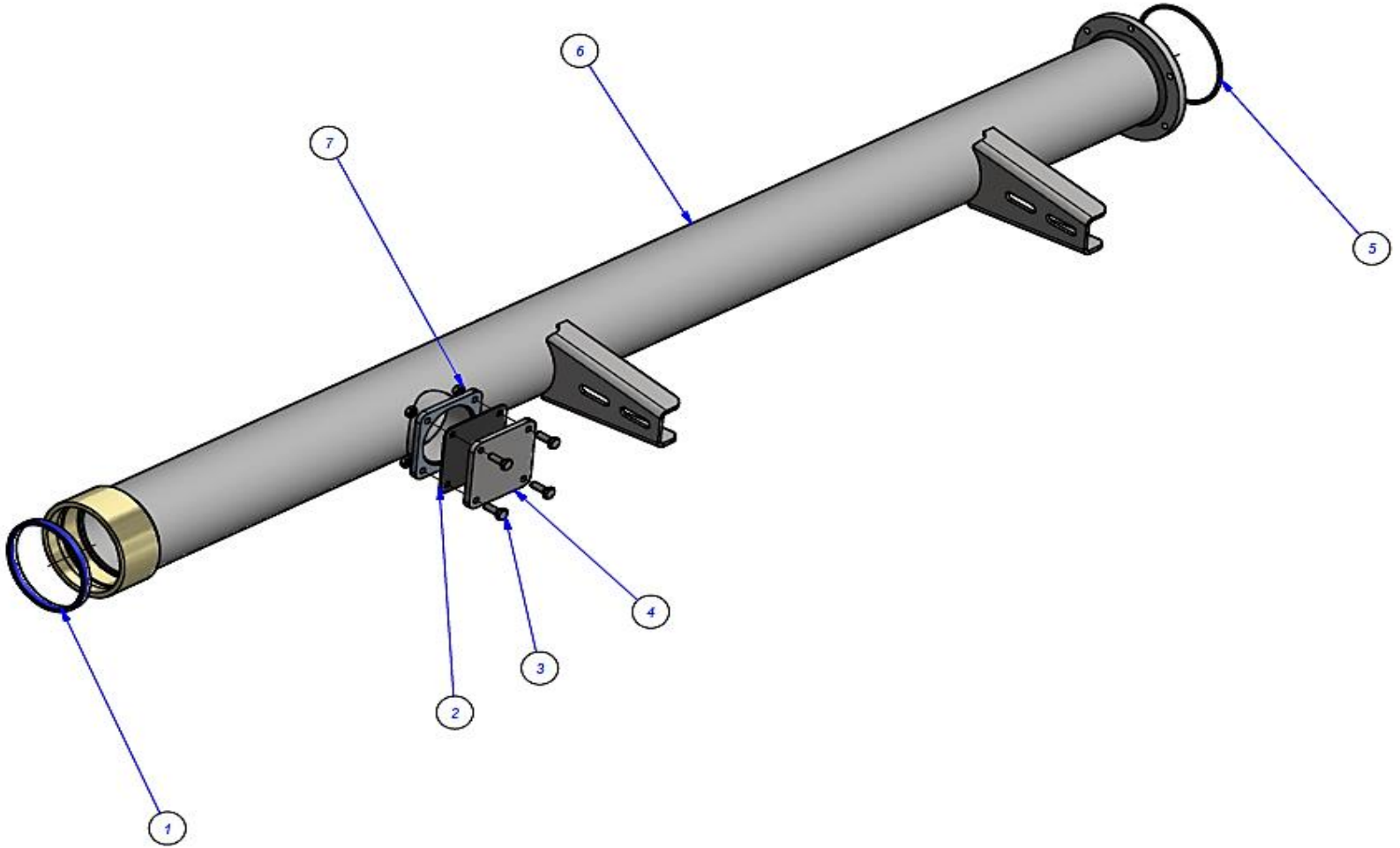
Dwg. #	Item	Description	Qty.
1	N771	E-Series Impeller Housing/Bottom Plate Assy.(Classic/Mixpump)	1
2	R871	M12 x 45mm Tapered Socket Head Bolt	8
3	G616	M12-1.75 Zinc Nylock Nut	16
4	V420	E-Series Gearbox for Classic Pump	1
5	K719	190x5.30mm NITRILE O-RING	1
6	K112	M10 x 12mm Zinc Set Screw	1
7	A304	U-Joint for E-Series Drive Shaft	1
8	N885	E-Series Pit Attachment Plate	1
9	R729	E-Series Pit Connection Bracket	1
11	X570	Greenline E-Series Mount Assembly	1
12	J113	M10-1.5 x 50mm Zinc Hex Bolt	12
13	F504	A10.5 Zinc Flat Washer	24
14	A261	Ringlock Fitting for E-Series Mix/Classic/Pressure Discharge	1
15	S401	M10-1.5 ZINC HEX NUT	12
17	G140	M16 x 50mm ZINC HEX BOLT	4
18	M277	M16 ZINC HEX NUT	4
20	K100	M14 x 70mm Zinc Hex Bolt	3
21	G616	M12-1.75 Zinc Nylock Nut	3
22	R479	DIN125 - A17 WASHER	8
23	P884	E-Series Nozzle Assembly	1
24	D355	M12 x 50mm ZINC HEX BOLT	8

## E-Series Classic Pump



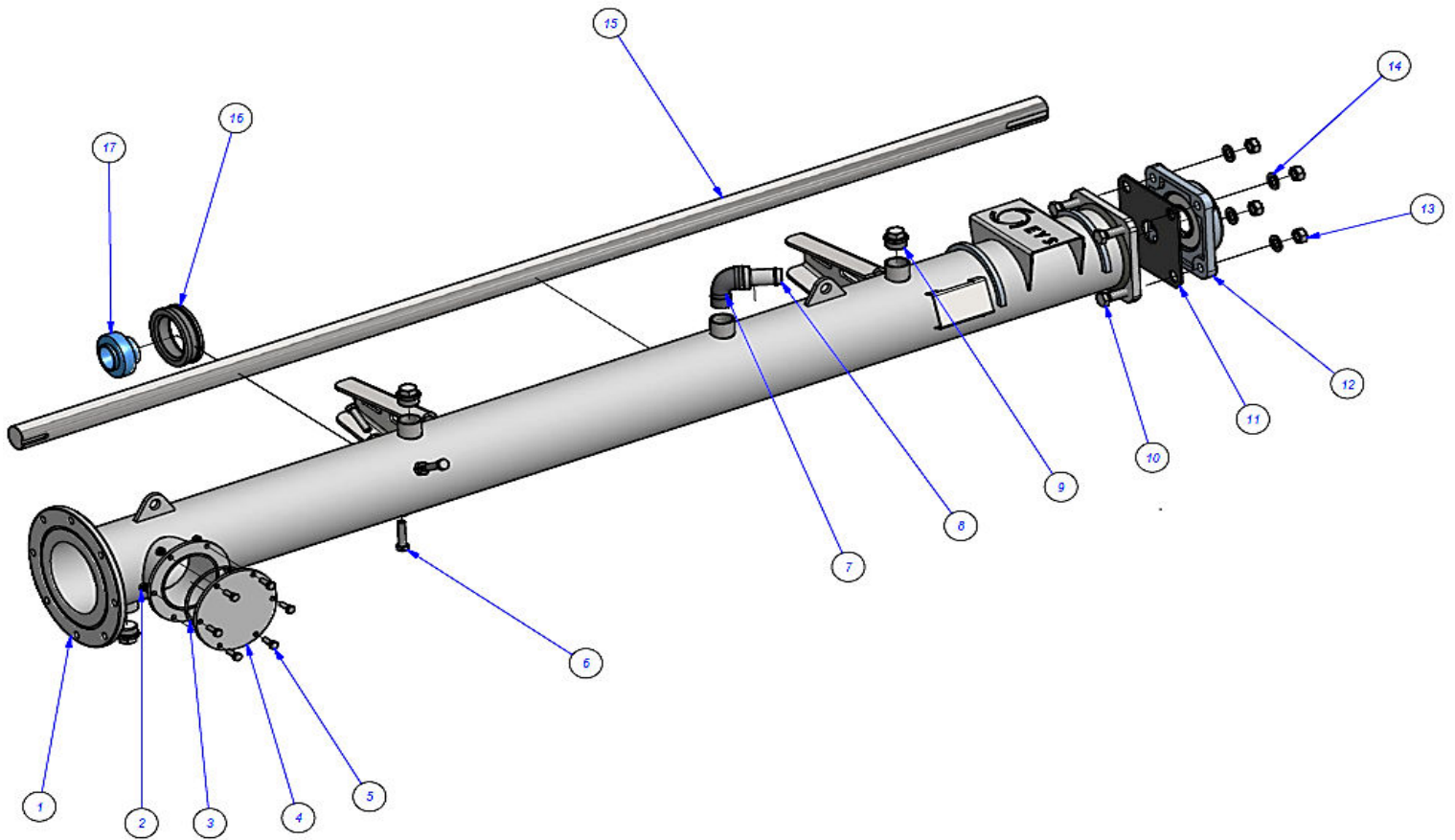
Dwg. #	Item	Description	Qty.
1	N771	E-Series Impeller Housing/Bottom Plate Assy. Complete - (Classic/Mixpump)	1
2	R871	M12 x 45mm Tapered Socket Head Bolt	8
3	G616	M12-1.75 Zinc Nylock Nut	16
4	V420	E-Series Gearbox for Classic Pump	1
5	K719	190x5.30mm NITRILE O-RING	1
6	K112	M10 x 12mm Zinc Set Screw	1
7	A304	U-Joint for E-Series Drive Shaft	1
9	N885	E-Series Pit Attachment Plate	1
10	R729	E-Series Pit Connection Bracket	1
11	X570	Greenline E-Series Mount Assembly	1
12	J113	M10-1.5 x 50mm Zinc Hex Bolt	6
13	F504	A10.5 Zinc Flat Washer	12
14	A261	Ringlock Fitting for E-Series Mix/Classic/Pressure Discharge	1
15	S401	M10-1.5 ZINC HEX NUT	6
16	G140	M16 x 50mm ZINC HEX BOLT	4
17	M277	M16 ZINC HEX NUT	4
19	R479	DIN125 - A17 WASHER	8
20	D355	M12 x 50mm ZINC HEX BOLT	8

**E-Series Discharge Stem (Classic/Mixpump/H.P.)**



Dwg. #	Item	Description	Qty.
1	Q207	152.3x160x13.5mm U-Cup Seal	1
2	T439	Flange Seal (E-Series Disch. Stem)	1
3	Z776	M10 x 30mm Hex Bolt Zinc	4
4	V631	Flange Cover (E-Series Disch. Stem)	1
5	U258	165x5mm O-Ring for E-Series Discharge Tube	1
6	K375	6' Greenline E-Series Discharge Stem w/o Nozzle (Classic/Mixpump/H.P.)	1
	F552	8' Greenline E-Series Discharge Stem w/o Nozzle (Classic/Mixpump/H.P.)	1
	N713	10' Greenline E-Series Discharge Stem w/o Nozzle (Classic/Mixpump/H.P.)	1
	K472	12' Greenline E-Series Discharge Stem w/o Nozzle (Classic/Mixpump/H.P.)	1
	V747	14' Greenline E-Series Discharge Stem w/o Nozzle (Classic/Mixpump/H.P.)	1
	D779	16' Greenline E-Series Discharge Stem w/o Nozzle (Classic/Mixpump/H.P.)	1
7	S401	M10-1.5 Zinc Hex Nut	4

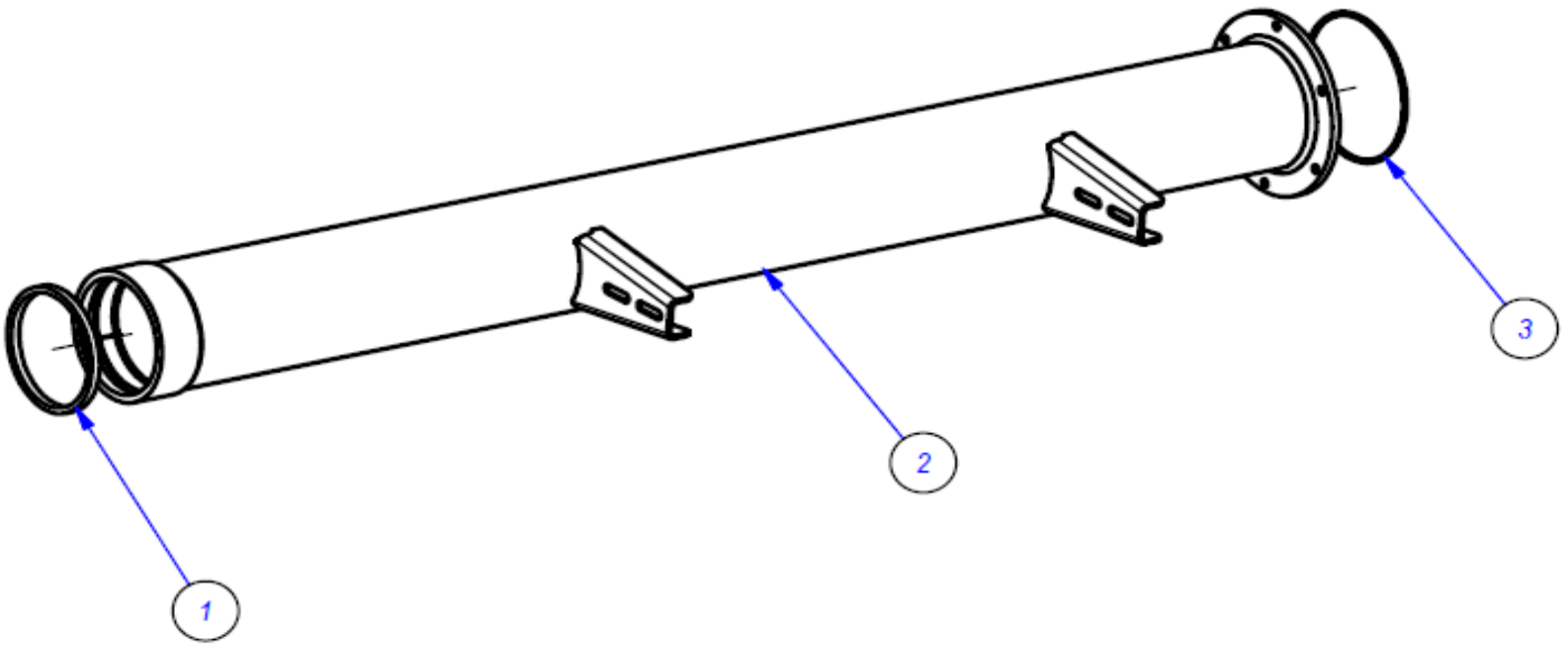
## E-Series Drive Stem Assembly



Dwg. #	Item	Description	Qty.
1	Z680	6' Greenline E-Series Drive Stem	1
	L621	8' Greenline E-Series Drive Stem	1
	R573	10' Greenline E-Series Drive Stem	1
	F686	12' Greenline E-Series Drive Stem	1
	Z722	14' Greenline E-Series Drive Stem	1
	V296	16' Greenline E-Series Drive Stem	1
2	F608	M8-1.25 Zinc Hex Nut	6
3	D212	120 x 4mm Rubber O-Ring	1
4	G629	Cover Flange (E-Series Drive Tube)	1
5	L497	M8 x 25mm Zinc Hex Head Bolt	6
6	D355	M12 x 50mm Zinc Hex Bolt	3
7	Z556	1" Galv. Street Elbow	1
8	X867	E-Series Dipstick Tube Fitting	1
9	T491	DIN 910 - G1A Hex Plug For E-Series Drive Tube	3
10	T440	M16 x 60mm Zinc Hex Bolt	4
11	U738	Gasket for 4-Bolt Flanged Bearing (E-Series Drive Stem)	1
12	N333	4-Bolt Flange Bearing (E-Series Drive Stem)	1
13	M277	M16 Zinc Hex Nut	4
14	R479	DIN125 - A17 Washer	4
15	Y164	6' E-Series Driveshaft	1
	E230	8' E-Series Driveshaft	1
	W209	10' E-Series Driveshaft	1
	K765	12' E-Series Driveshaft	1
	P232	14' E-Series Driveshaft	1
	J200	16' E-Series Driveshaft	1
16	O294	Race for E-Series Drive Bearing	1
17	E536	Cone Bearing for E-Series Drive	1

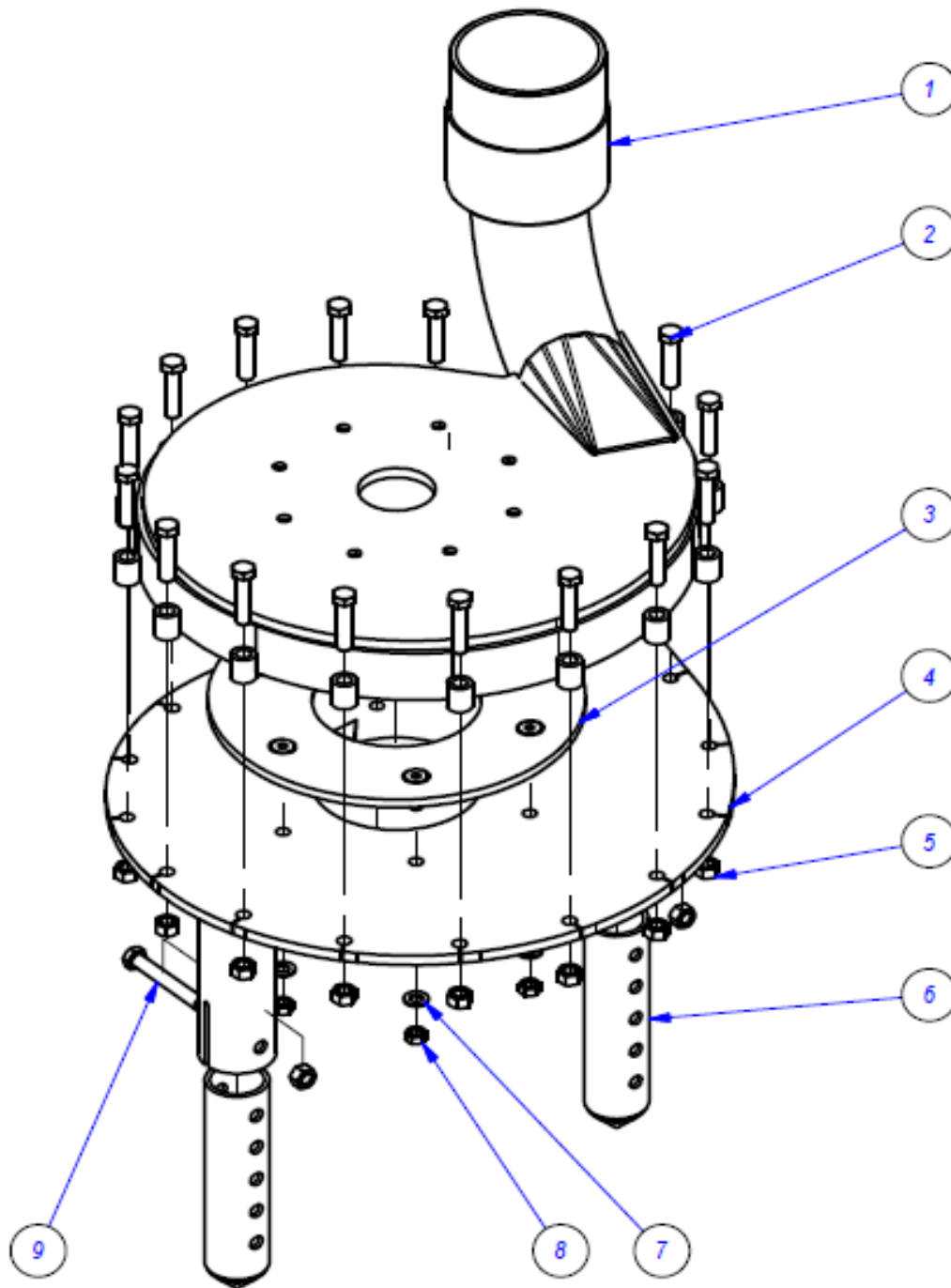


### E-Series Flush Pump Discharge Stem



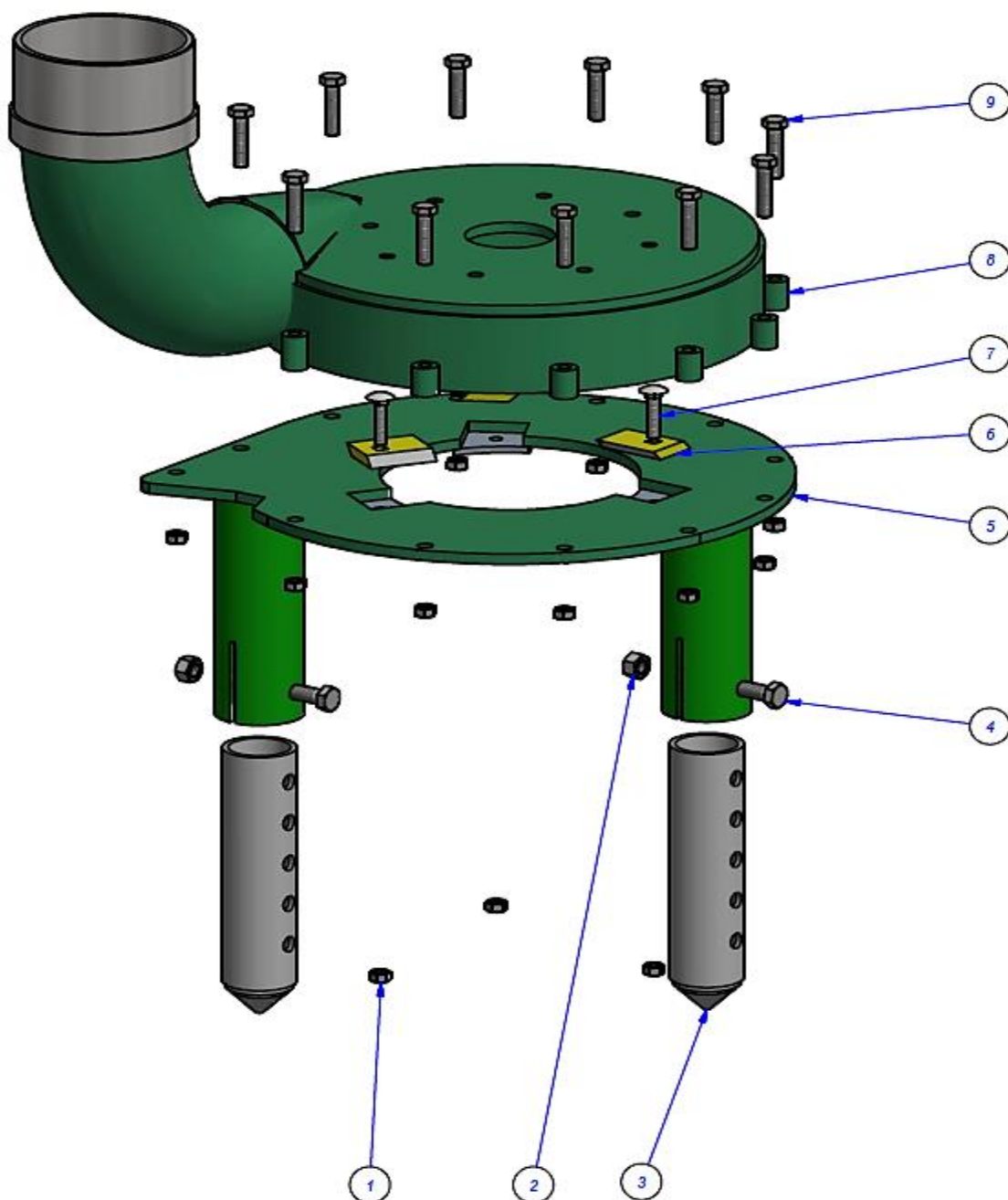
Dwg. #	Item	Description	Qty.
1	N267	Discharge Stem Seal (E-Series Flush Pump)	1
2	Z717	6' Greenline E-Series Flush Pump Discharge Stem	1
	G133	8' Greenline E-Series Flush Pump Discharge Stem	1
	L397	10' Greenline E-Series Flush Pump Discharge Stem	1
	D706	12' Greenline E-Series Flush Pump Discharge Stem	1
	R448	14' Greenline E-Series Flush Pump Discharge Stem	1
	T707	16' Greenline E-Series Flush Pump Discharge Stem	1
3	P527	250x6mm Oring	1

## E-Series High Pressure Pump Housing



Dwg. #	Item	Description	Qty.
1	N481	E-Series Impeller Housing for High Pressure Pump	1
2	B897	8.8 M14-2.0 x 60mm Zinc Hex Bolt	15
3	C151	Cutting Blade for E-Series High Pressure Pump	1
4	G659	Bottom Plate for E-Series High Pressure Pump	1
5	G216	M14-2.0 Zinc Hex Nut	17
6	U461	Adjustable Foot for E-Series Bottom Plate	2
7	J563	DIN 125 - A13 Washer	6
8	Z251	M12-1.75 Zinc Hex Nut	6
9	S781	M14 x 100mm SS Hex Bolt	2

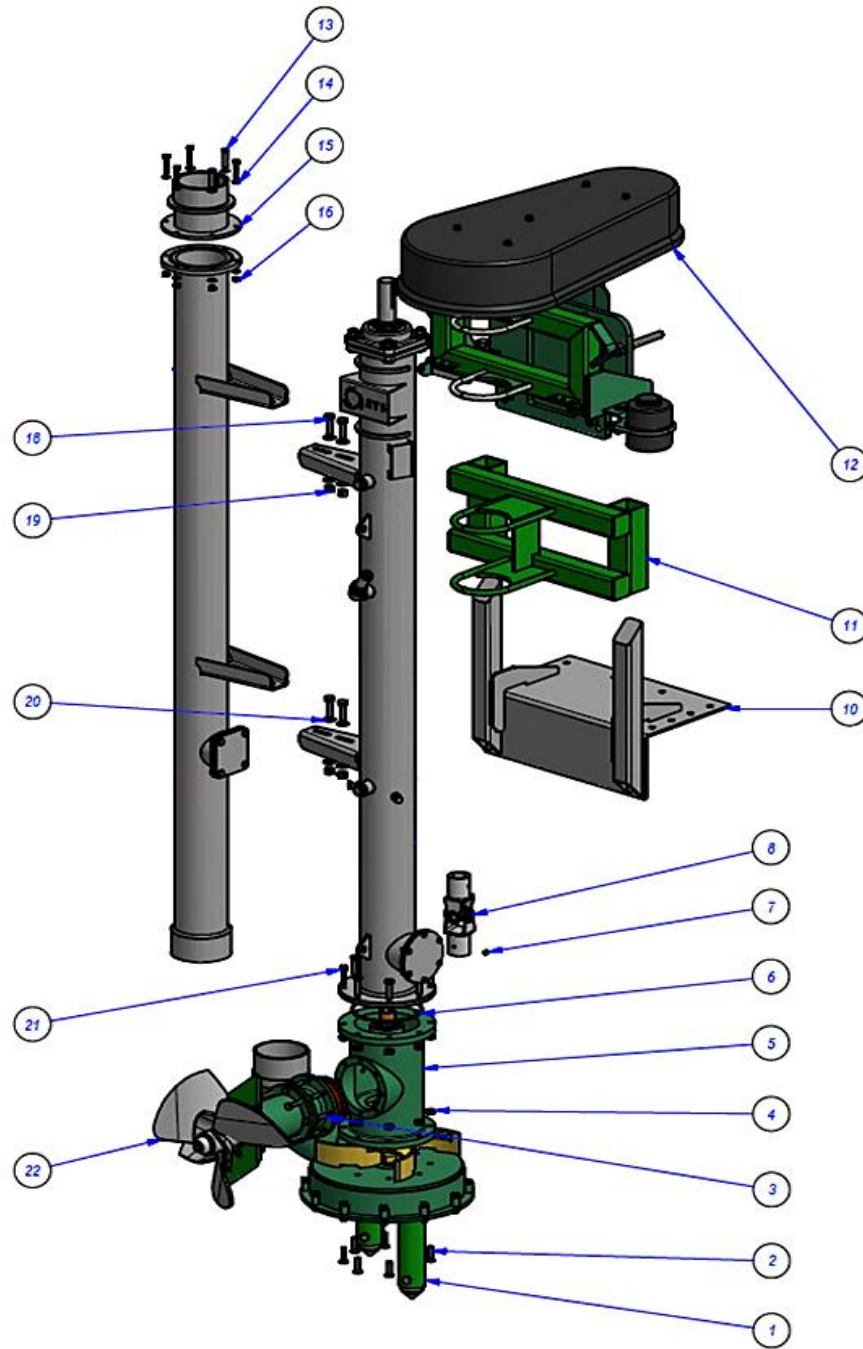
## E-Series Housing (Mixpump/Classic)



Dwg. #	Item	Description	Qty.
1	S401	M10-1.5 Zinc Hex Nut	15
2	G216	M14-2.0 Zinc Hex Nut	2
3	U461	Adjustable Foot for E-Series Bottom Plate	2
4	P221	M14-2.0 x 100mm Zinc Hex Bolt	2
5	C122	E-Series Bottom Plate (Mix/Classic)	1
6	D589	E-Series Cutter Blade for Bottom Plate (Classic/Mix)	3
7	Y705	M10-1.5 x 40mm Zinc Steel Carriage Bolt	3
8	Q293	E-Series Impeller Housing (Classic/Mixpump)	1
9	D355	M12 x 50mm Zinc Hex Bolt	12

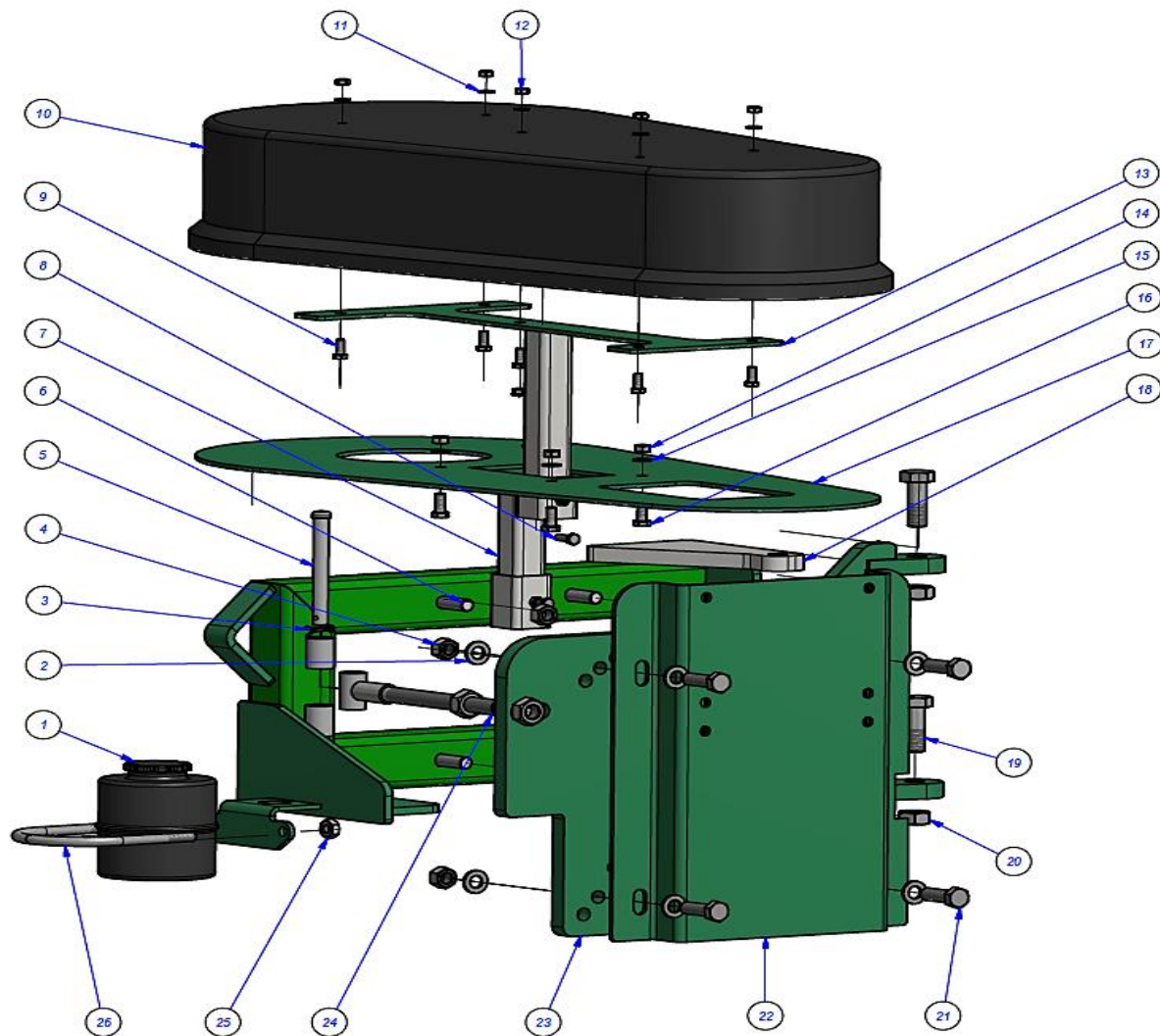


## E-Series Mix-Pump



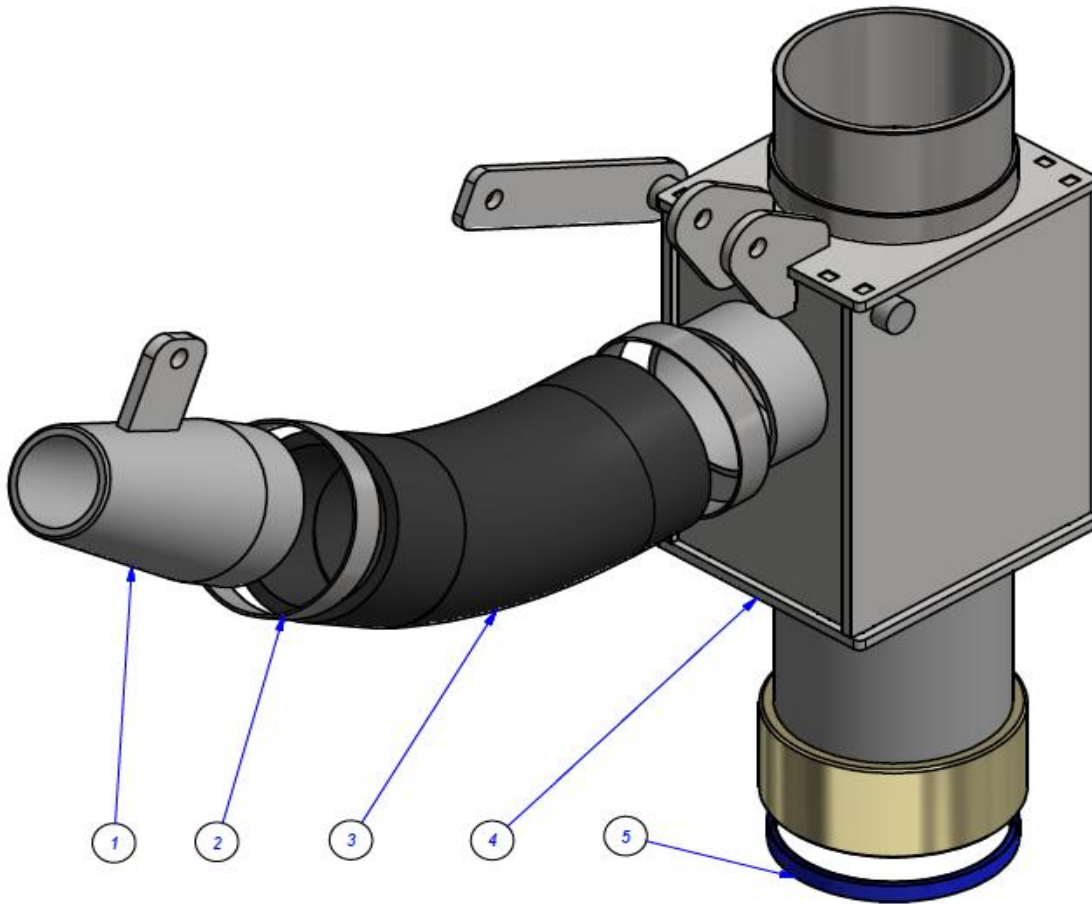
Dwg. #	Item	Description	Qty.
1	N771	E-Series Impeller Housing/Bottom Plate Assy. Complete - (Classic/Mixpump)	1
2	R871	M12 x 45mm Tapered Socket Head Bolt	8
3	T203	8.8 M12-1.75 x 40mm Zinc Hex Bolt	8
4	G616	M12-1.75 Zinc Nylock Nut	16
5	L512	E-Series Gearbox w/ Knife & Prop (Mixpump/Agi.)	1
6	K719	190x5.30mm Nitrile O-Ring	1
7	K112	M10 x 12mm Zinc Set Screw	1
8	A304	U-Joint for E-Series Drive Shaft	1
10	N885	E-Series Pit Attachment Plate	1
11	R729	E-Series Pit Connection Bracket	1
12	X570	Greenline E-Series Mount Assembly	1
13	J113	M10-1.5 x 50mm Zinc Hex Bolt	6
14	F504	A10.5 Zinc Flat Washer	12
15	A261	Ringlock Fitting for E-Series Mix/Classic/Pressure Discharge	1
16	S401	M10-1.5 Zinc Hex Nut	6
18	G140	M16 x 50mm Zinc Hex Bolt	4
19	M277	M16 Zinc Hex Nut	4
20	R479	DIN125 - A17 Washer	8
21	D355	M12 x 50mm Zinc Hex Bolt	8
22	Y305	E-Series Propeller Bearing Assy. Complete	1

## E-Series Motor Mount Assembly



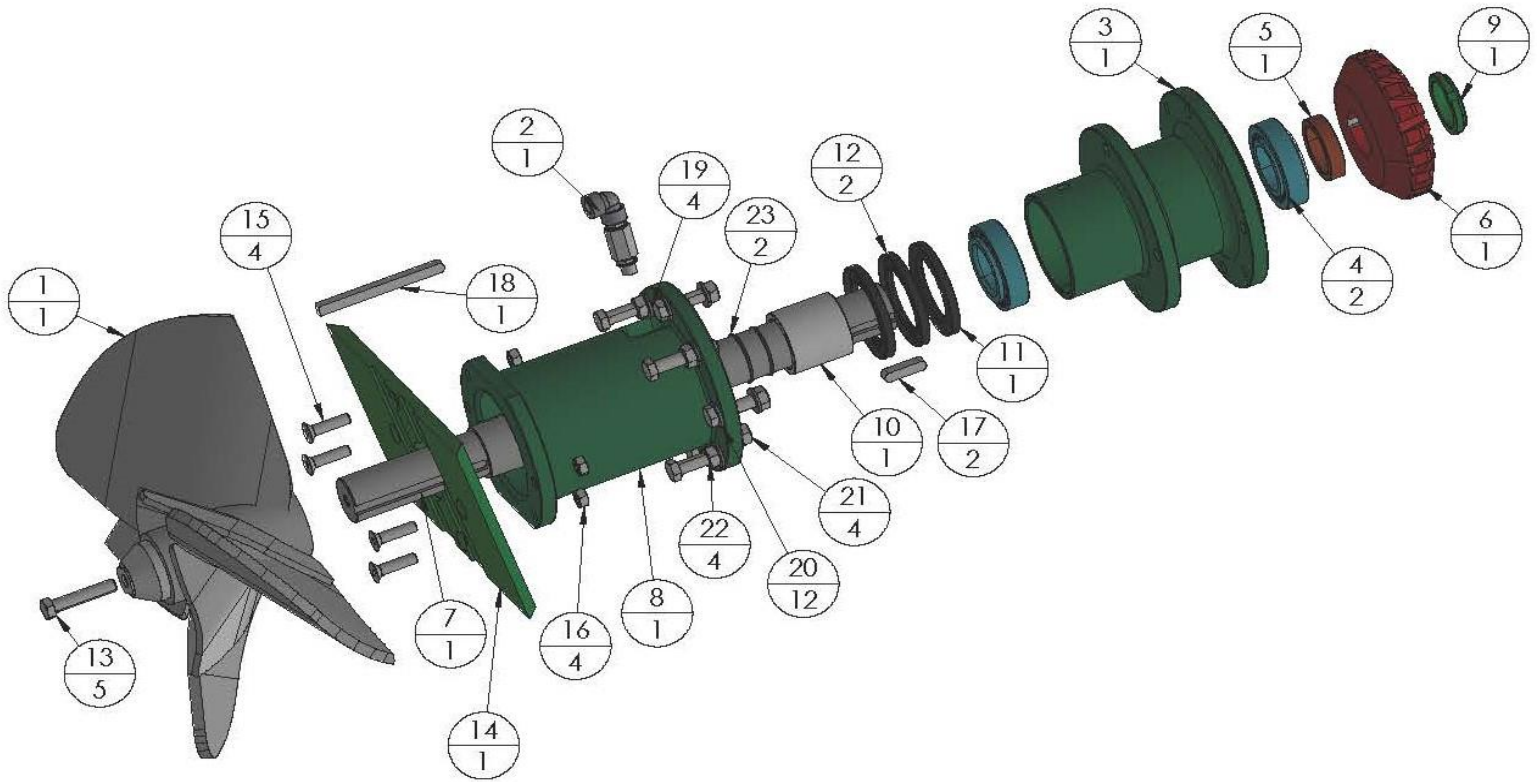
Dwg. #	Item	Description	Qty.
1	Y844	Oil Reservoir (E-Series)	1
2	R479	DIN125 - A17 Washer	8
3	N235	Cotter Pin for Tension Pin	1
4	S884	M16 Zinc Nylock Nut	8
5	F811	Tensioner Pin for E-Series Motor Mount	1
6	E410	U-Bolt for E-Series Motor Mount	2
7	M442	E-Series Pulley Guard Bracket	1
8	L497	M8 x 25mm Zinc Hex Head Bolt	2
9	O271	M8-1.25 x 20mm Zinc Hex Bolt	5
10	Z451	E-Series Belt Guard	1
11	K865	A8.4 Flat Washer	6
12	F608	M8-1.25 Zinc Hex Nut	6
13	L111	E-Series Belt Guard Bracket	1
14	Z251	M12-1.75 Zinc Hex Nut	4
15	F504	A10.5 Zinc Flat Washer	4
16	T539	M10 x 25mm Zinc Hex Bolt	4
17	U161	E-Series Pulley Cover	1
18	Z591	E-Series Belt Cover Bracket	1
19	A408	M20 x 60mm Zinc Hex Bolt	2
20	U746	M20 Zinc Hex Nut	4
21	G140	M16 x 50mm Zinc Hex Bolt	4
22	K265	10hp Motor Connection Adapter Plate	1
23	K482	E-Series Motor Connection Plate	1
24	R596	E-Series Belt Tensioner	1
25	Z251	M12-1.75 Zinc Hex Nut	2
26	P245	U-Bolt for E-Series Oil Reservoir	1

### E-Series Nozzle Assembly



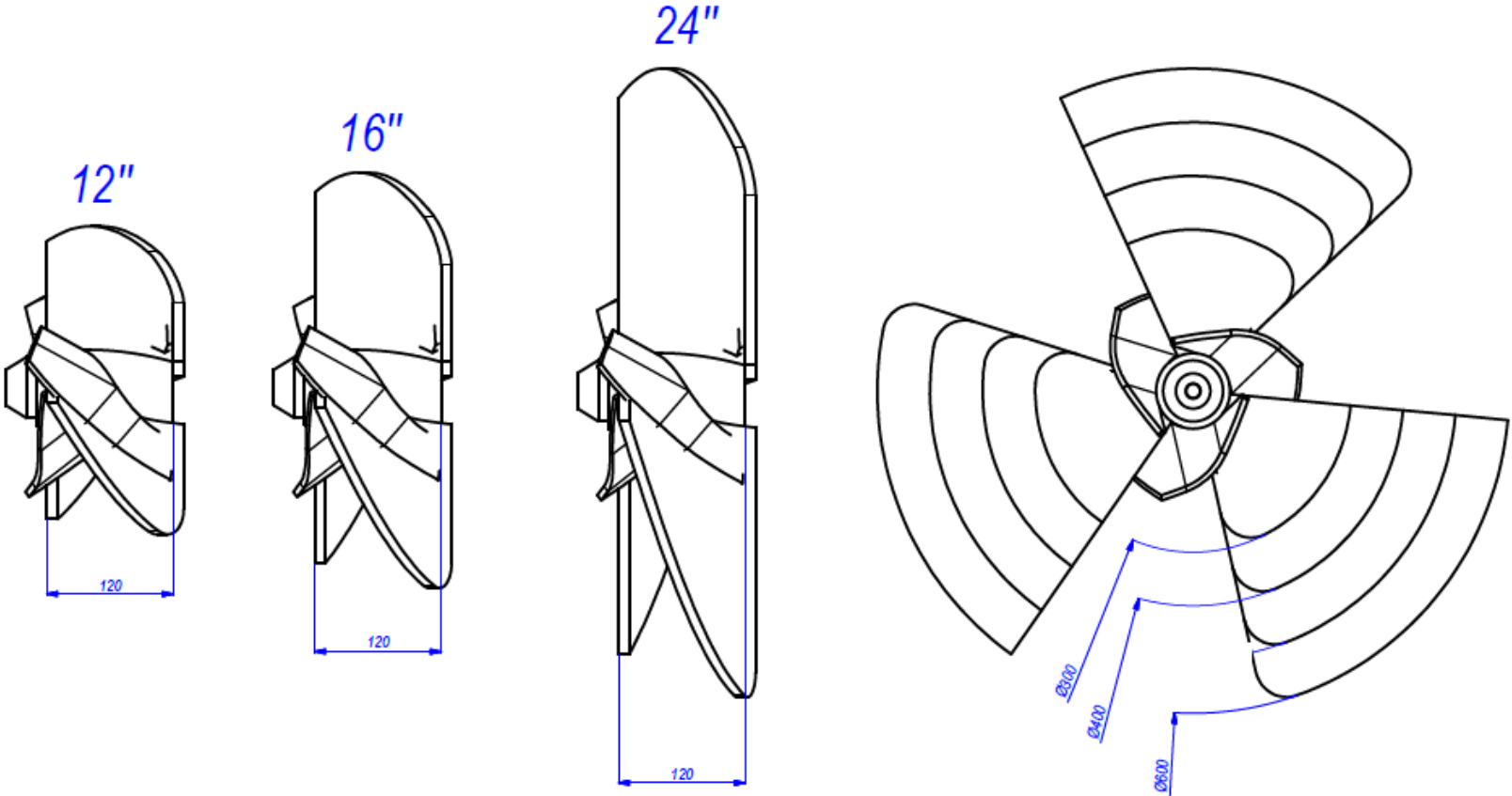
Dwg. #	Item	Description	Qty.
1	M260	E-Series Nozzle Cone	1
2	L616	Clamp for E-Series Nozzle Agitation	2
3	O501	Nozzle Agitation Hose (E-Series Mix/Classic)	1
4	S229	E-Series Nozzle Agitation Valve	1
5	Q207	152.3x160x13.5mm U-Cup Seal	1

## E-Series Propeller Bearing Assembly



Item#	Part#	Description
1	Y331	16" E-Series Propeller
2	K335	E-Series Hydraulic Connection
3	Z896	Bearing Housing for E-series Agitator Prop. Assy.
4	T133	Tapered Roller Bearing For E-Series Gearbox (25580/25520)
5	P180	Shaft Bushing for Z19 E-Series Gear
6	L124	Z19 Gear for E-Series Agitator Bearing Assy.
7	D413	E-Series Agitator Prop. Shaft
8	S472	E-Series Propeller Knife Holder
9	A294	Lock Nut for E-Series Propeller Assy.
10	D776	Seal Connection for E-Series Prop. Bearing Assy.
11	P145	60x90x8mm Single Lip oil Seal – E-Series Bearing Assy.
12	Y478	60x90x8mm oil Seal – Cut Lip
13	T801	M12-1.75 x 60mm Zinc Hex Bolt
14	G790	E-Series Propeller Knife
15	X376	M10 x 40mm Tapered Socket Head Bolt
16	S401	M10-1.5 Zinc Hex Nut
17	X639	9.5x9.5x40mm Shaft Key (E-Series Gearbox)
18	J232	10x8x120mm Shaft Key
19	D355	M12 x 50mm Zinc Hex Bolt
20	M378	M12 Zinc Flat Washer
21	Z251	M12-1.75 Zinc Hex Nut
22	A434	8.8 M12-1.75 x 60mm Zinc Hex Bolt
23	D124	41.2 x 3.55mm Nitrile O-Ring

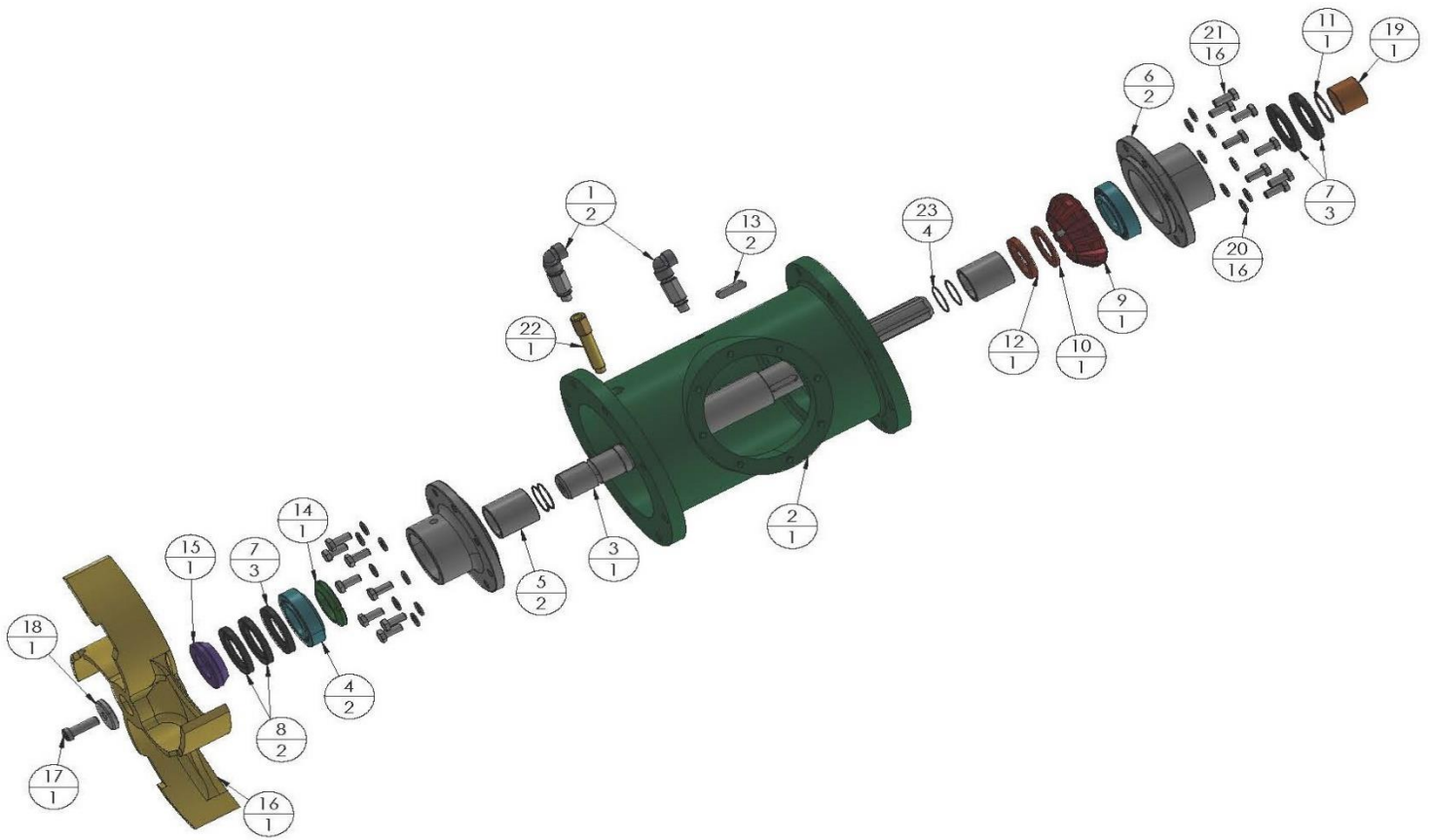
**E-Series Propeller**



Item	Description
A247	12" E-Series Propeller
Y331	16" E-Series Propeller
R799	24" E-Series Propeller



## E-Series Gearbox (Mix pump/Classic/Flush/HP)



Item #	Part #	Description
1	E243	1" HYD 90 deg Elbow 1/4" NPT (m-f)
2	P265	Flange Cover Gasket (E-series Gearbox)
3	L327	E-Series Gearbox Spindle
4	T133	Tapered Roller Bearing For E-Series Gearbox (25580/25520)
5	V116	E-Series Impeller Seal Connection-Chrome Plated
6	T869	Roller Bearing Housing (E-Series Classic/Mixpump/Aqi.)
7	J645	50 x 72 x 8mm Oil Seal E-Series Gearbox
8	F650	50 x 72 x 8mm Oil Seal – Cut Lip
9	Y792	Z14 Gear for E-Series Gearbox
10	A794	Lock Collar
11	E416	DIN 471 40mm External Retaining Ring
12	N528	Locking Spacer for Z14 Gear
13	X639	9.5 x 9.5 x 40mm Shaft Key (E-Series Gearbox)
14	E467	KM10 Shaft Lock Nut (E-Series Gearbox)
15	V483	E-series Impeller Ring
16	D418	E-Series 4-Blade Impeller (Classic/Mix/Flush)
17	D355	M12 x 50mm Zinc Hex Bolt
18	D891	E-Series Impeller Holder Ring
19	Q511	E-Series U-Joint Spacer
20	F504	A 10.5 Zinc Flat Washer
21	Z776	M10 x 30mm Hex Bolt Zinc
22	B574	Bearing Oiling Stud (E-Series Gearbox)
23	M507	36.15x2.62mm O-Ring