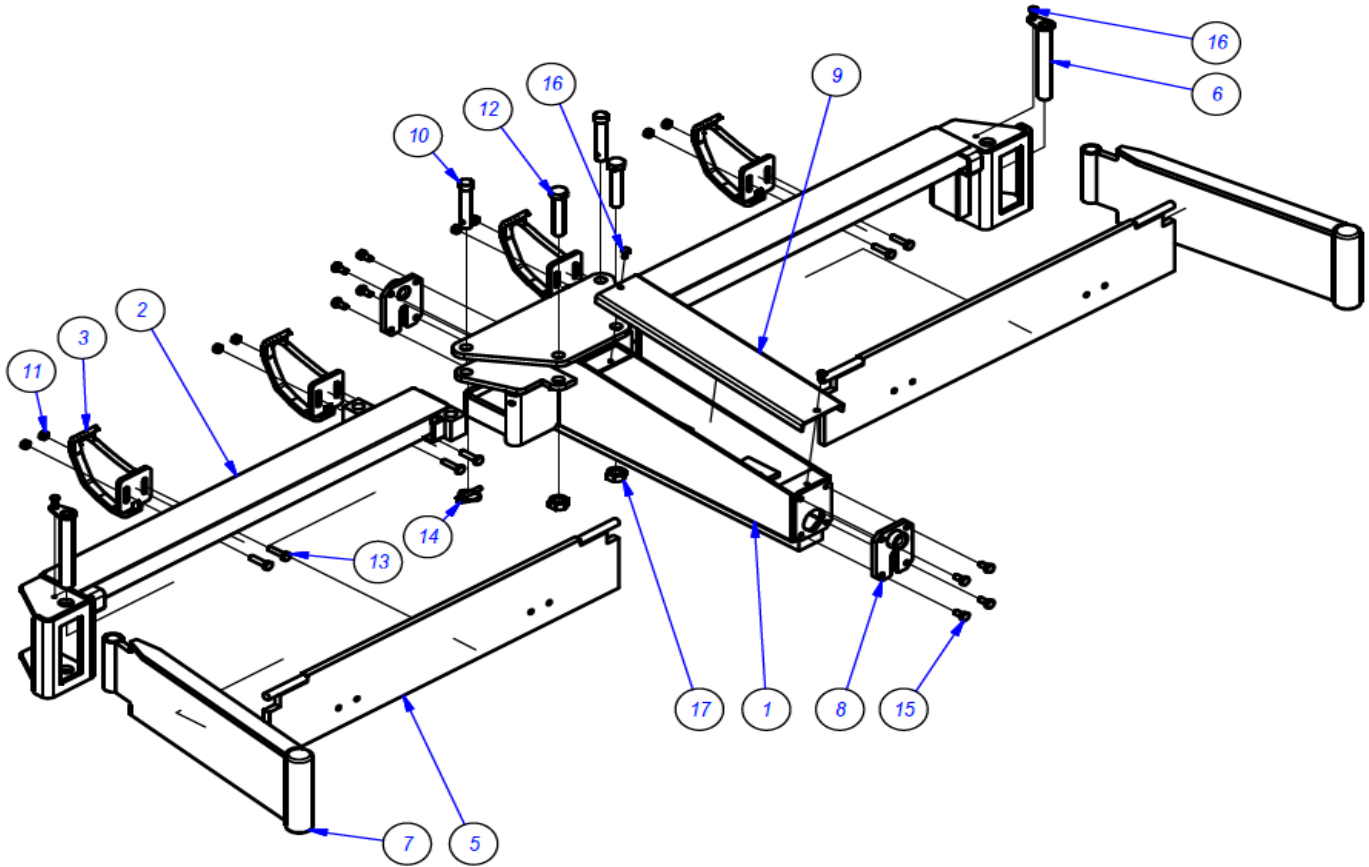


## Chain Scraper Blade Assembly

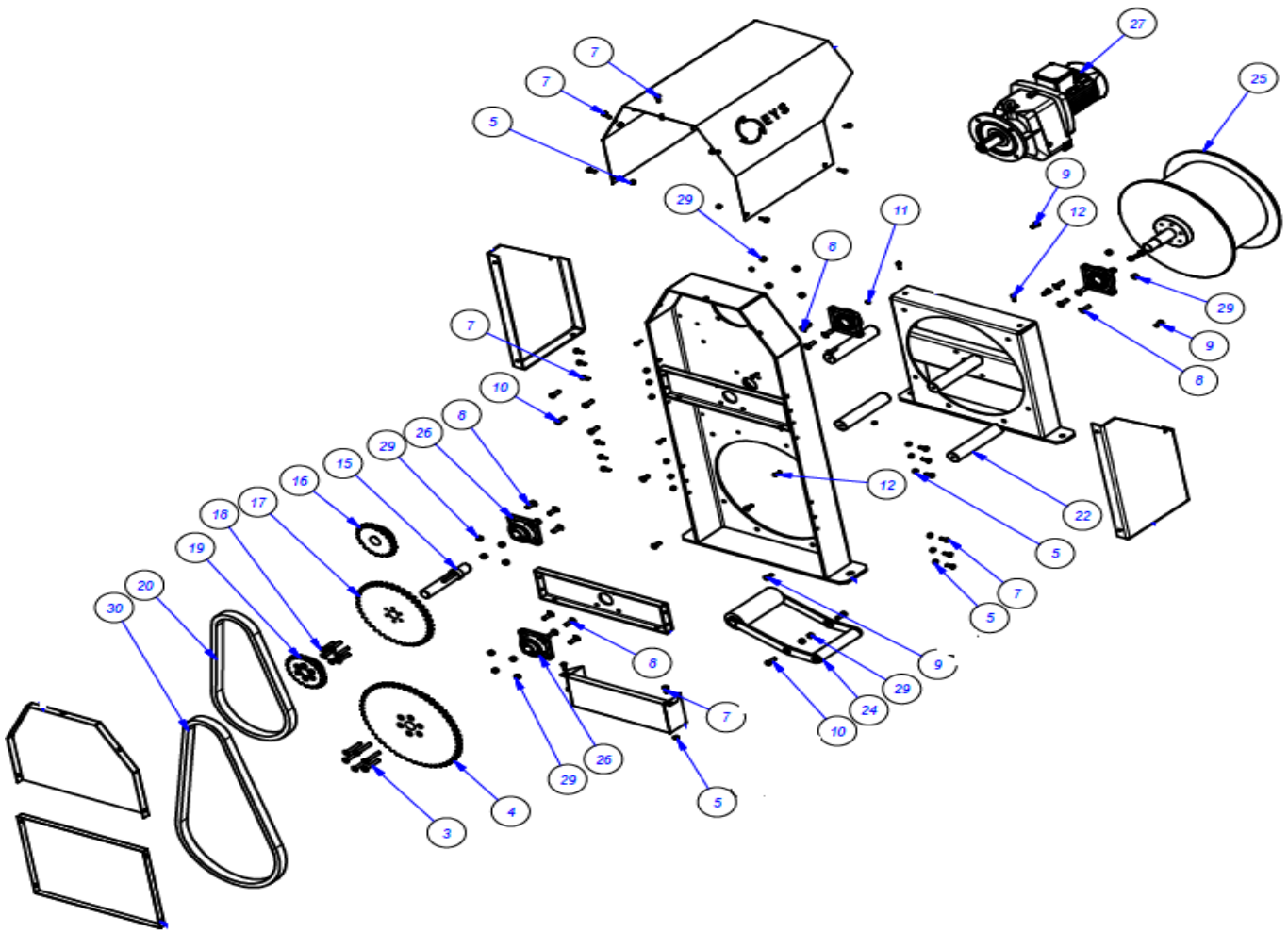


Dwg.#	Item	Description	Qty.
1	X233	EYS Galv. Scraper Carriage	1
2	J842	Galv. Scraper Arm - Left (105cm)	1
	M600	Galv. Scraper Arm - Left (125cm)	1
	K644	Galv. Scraper Arm - Left (145cm)	1
	F392	Galv. Scraper Arm - Left (165cm)	1
	N330	Galv. Scraper Arm - Right (105cm)	1
	V645	Galv. Scraper Arm - Right (125cm)	1
	S323	Galv. Scraper Arm - Right (145cm)	1
	D347	Galv. Scraper Arm - Right (165cm)	1
3	Q798	Scraper Foot (EYS Scraper)	4
5	O329	Galv. Scraper Blade (100cm)	1
	J418	Galv. Scraper Blade (120cm)	1
	Y368	Galv. Scraper Blade (140cm)	1
	P128	Galv. Scraper Blade (160cm)	1
6	N817	Side Wing Pin (EYS Scraper)	4
7	N165	Galv. Scraper Wing	2
8	X742	Front Attaching Plate for EYS Scraper Carriage	2
9	E233	Top Cover for EYS Scraper Carriage	1
10	F123	Scraper Arm Connecting Pin (EYS Scraper)	2
11	S401	M10-1.5 Zinc Hex Nut	8
12	K214	M20 x 100mm Zinc Hex Bolt	2
13	C464	8.8 M10-1.5 x 40mm Zinc Hex Bolt	8
14	D295	Linch Pin for EYS Scrapers	2
15	B759	M10 X 20mm Zinc Hex Bolt	8
16	P190	M8 x 16mm Zinc Hex Bolt	4
17	U746	M20 Zinc Hex Nut	2

### Scraper Selection for Main Arms

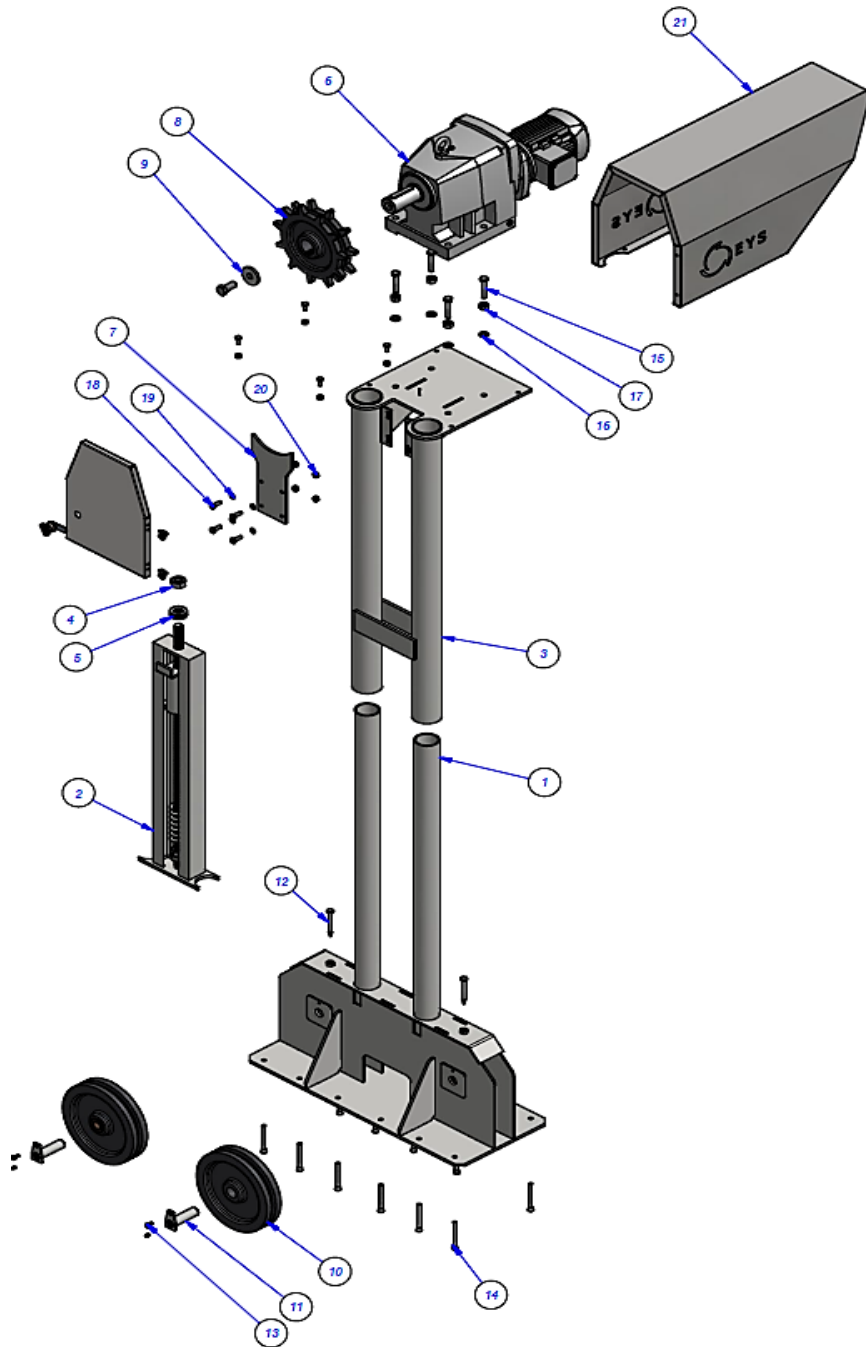
Alley Width	Arm Size	Blade Size
9' - 10'4"	105cm	100cm
10' - 11'6"	125cm	120cm
11'6" - 13'4"	145cm	140cm
13' - 14'4"	165cm	160cm

## EYS Cable Scraper Drive



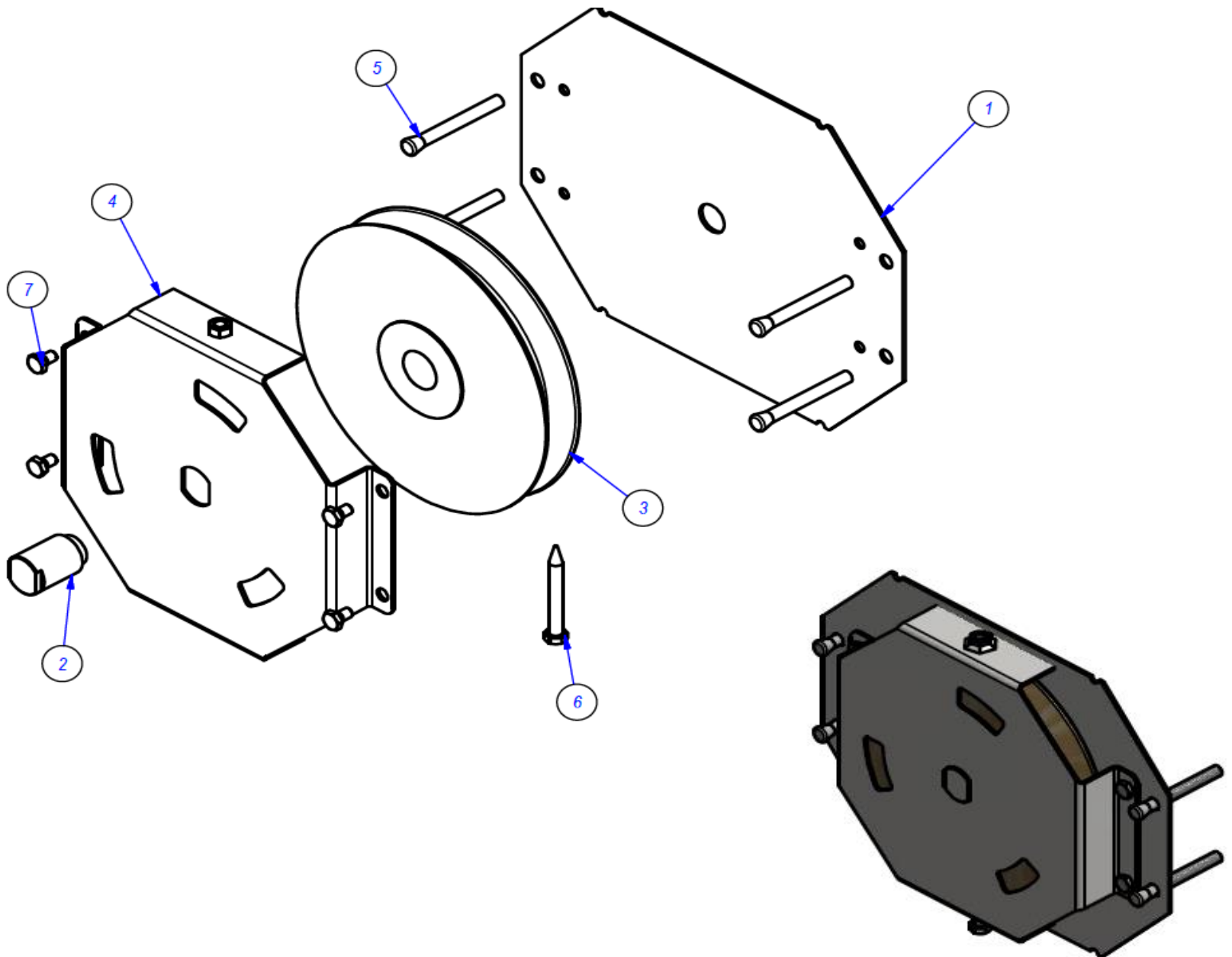
Dwg. #	Item	Description	Qty.
3	T590	M12x80mm SS Socket Head Bolt	6
4	E405	1" 54T Sprocket (EYS Cable Drive)	1
5	S401	M10-1.5 Zinc Hex Nut	19
7	T539	M10 x 25mm Zinc Hex Bolt	19
8	F494	M12 x 40mm Socket Head Bolt	16
9	S212	M12 x 25mm ZINC HEX BOLT	8
101	O156	8.8 M12-1.75 x 35mm Zinc Hex Bolt	6
11	F608	M8-1.25 Zinc Hex Nut	8
12	L497	M8 x 25mm Zinc Hex Head Bolt	8
15	B576	Bearing Spindle (EYS Cable Drive)	1
16	M370	1" 20T Sprocket (EYS Cable Drive)	1
17	T288	1" 40T Sprocket EYS Cable Drive)	1
18	N605	M12x70 SOCKET CAP BOLT FOR EYS CABLE SCRAPER DRIVE	6
19	F592	1" Drive Sprocket (EYS Cable Scraper)	1
20	Y422	1" Gearbox Drive Chain (EYS Cable Drive)	1
22	E472	Intermediate Spindle (EYS Cable Drive)	1
24	Z399	Cable Tensioner (EYS Cable Drive)	1
25	E214	EYS DRIVE DRUM (CABLE SCRAPER)	1
26	C892	FLANGE BEARING - EYS CABLE SCRAPER DRIVE	4
27	L649	PF42 Gearbox/Motor - EYS Cable Scraper Drive	1
29	G616	M12-1.75 Zinc Nylock Nut	22
30	V851	1" Drum Drive Chain (EYS Cable Drive)	1

## EYS Chain Scraper Drive



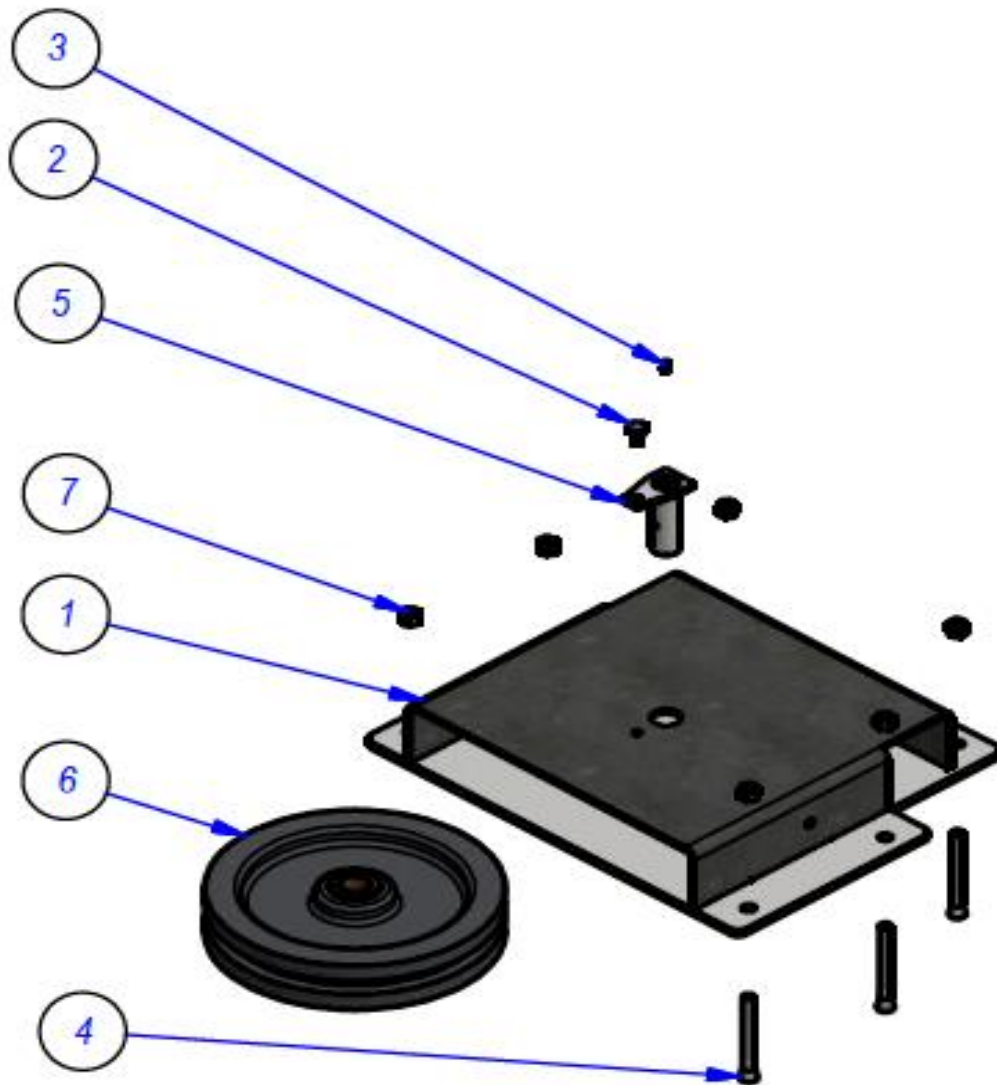
Dwg. #	Item	Description	Qty.
2	Z640	Tensioner for EYS Chain Scraper Drive	1
4	P702	M24 Zinc Hex Nut	1
5	A343	Spacer for EYS Chain Scraper Drive	1
6	C580	PA53 Gearbox - EYS Chain Scraper Drive	1
8	E100	Scraper Drive Chain Sprocket (EYS Chain Drive)	1
9	W438	Washer for Drive Chain Sprocket (EYS Chain Drive)	1
10	N874	Drive Wheel (EYS Chain Drive)	2
11	U187	Drive Wheel Spindle (EYS Chain Drive)	2
12	G240	Wheel Bolt for EYS Chain Scraper Drive	2
13	P190	M8 x 16mm Zinc Hex Bolt	2
14	C402	M12 x 110mm Anchor Bolt	12
15	K100	M14 x 70mm Zinc Hex Bolt	4
16	E170	M14 Zinc Flat Washer	4
17	Z230	M14-2.0 Zinc Nylock Nut	4
18	Z776	M10 x 30mm Hex Bolt Zinc	4
19	U728	#10 SS Flat Washer	4
20	Z599	M10-1.5 Zinc Nylock Nut	4
21	B563	Hood for EYS Chain Scraper Drive	1

## EYS Corner Wheel (Cable Scraper)



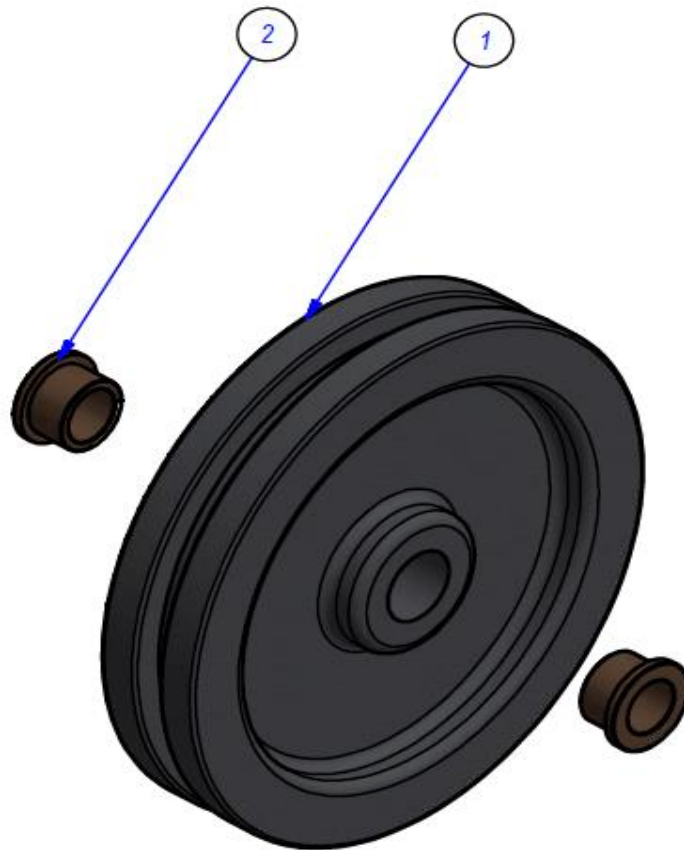
Dwg. #	Item	Description
1	K267	Bottom Plate for Corner Wheel (EYS Cable Scraper)
2	K544	Corner Wheel Spindle (EYS Cable Scraper)
3	Q325	Corner Wheel Only (EYS Cable Scraper)
4	V799	Cover Plate for Corner Wheel (EYS Cable Scraper)
5	C402	M12 x 110mm Anchor Bolt
6	B723	M12 x 100mm Screw for Cable Scraper Corner Wheel
7	D830	M10 x 16mm Zinc Hex Head Bolt

## EYS Corner Wheel (Chain Scraper)



Dwg. #	Item	Description
1	D726	Housing for Corner Wheel (EYS Chain Scraper)
2	D830	M10 x 16mm Zinc Hex Head Bolt
3	X115	M8 x 1mm Grease Zerk
4	C402	M12 x 110mm Anchor Bolt
5	Q739	Corner Wheel Spindle (EYS Chain Scraper)
6	R564	Corner Wheel Only (EYS Chain Scraper)
7	Z251	M12-1.75 Zinc Hex Nut

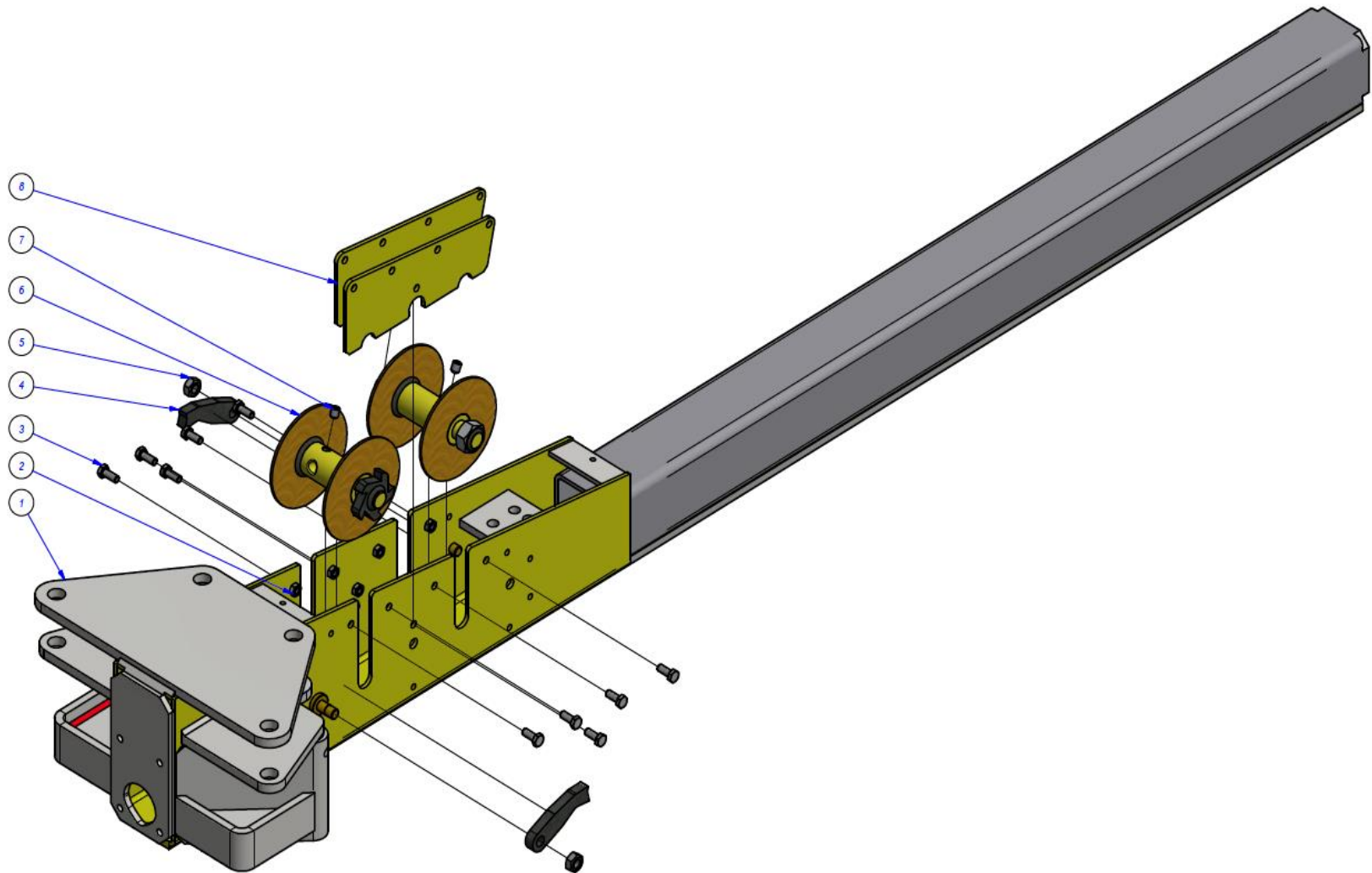
EYS Corner Wheel Only (Chain Scraper)



Dwg. #	Item	Description
1	R564	Corner Wheel Only (EYS Chain Scraper)
2	G618	Brass Center Bushing for Chain Scraper Corner Wheel

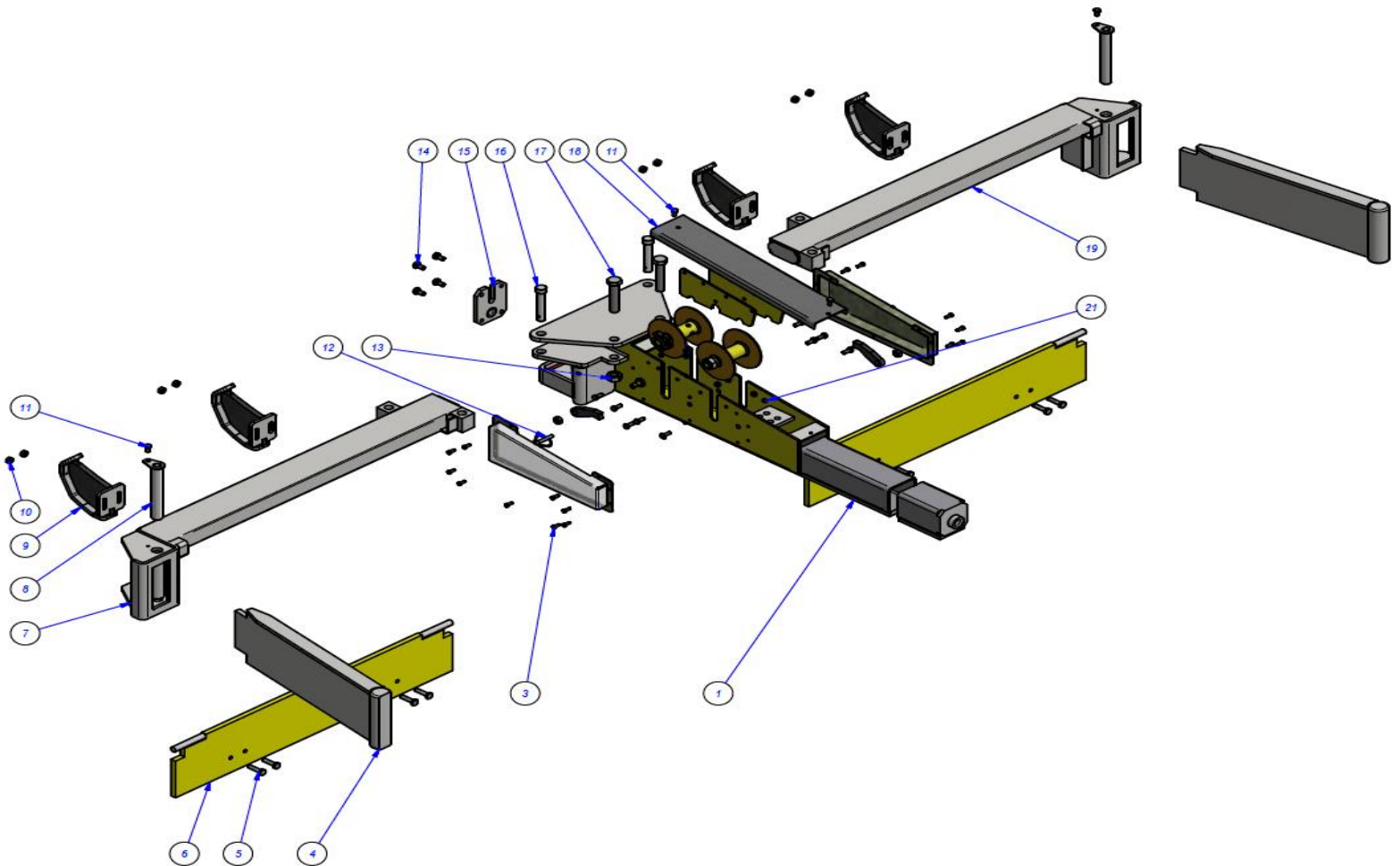


## EYS Double Winch Carriage/Towbar



Dwg. #	Item	Description	Qty.
1	P762	Double Winch Carriage/Tow Bar	1
2	F608	M8-1.25 Zinc Hex Nut	10
3	O271	M8-1.25 x 20mm Zinc Hex Bolt	10
4	N656	Latch for Scraper Winch (EYS Cable Scraper)	2
5	Z251	M12-1.75 Zinc Hex Nut	2
6	Q466	Scraper Winch (EYS Cable Scraper)	2
7	Y174	M10 x 10mm Set Screw	2
8	F704	Winch Side Cover Plate	2

## EYS Double Winch Scraper Assembly



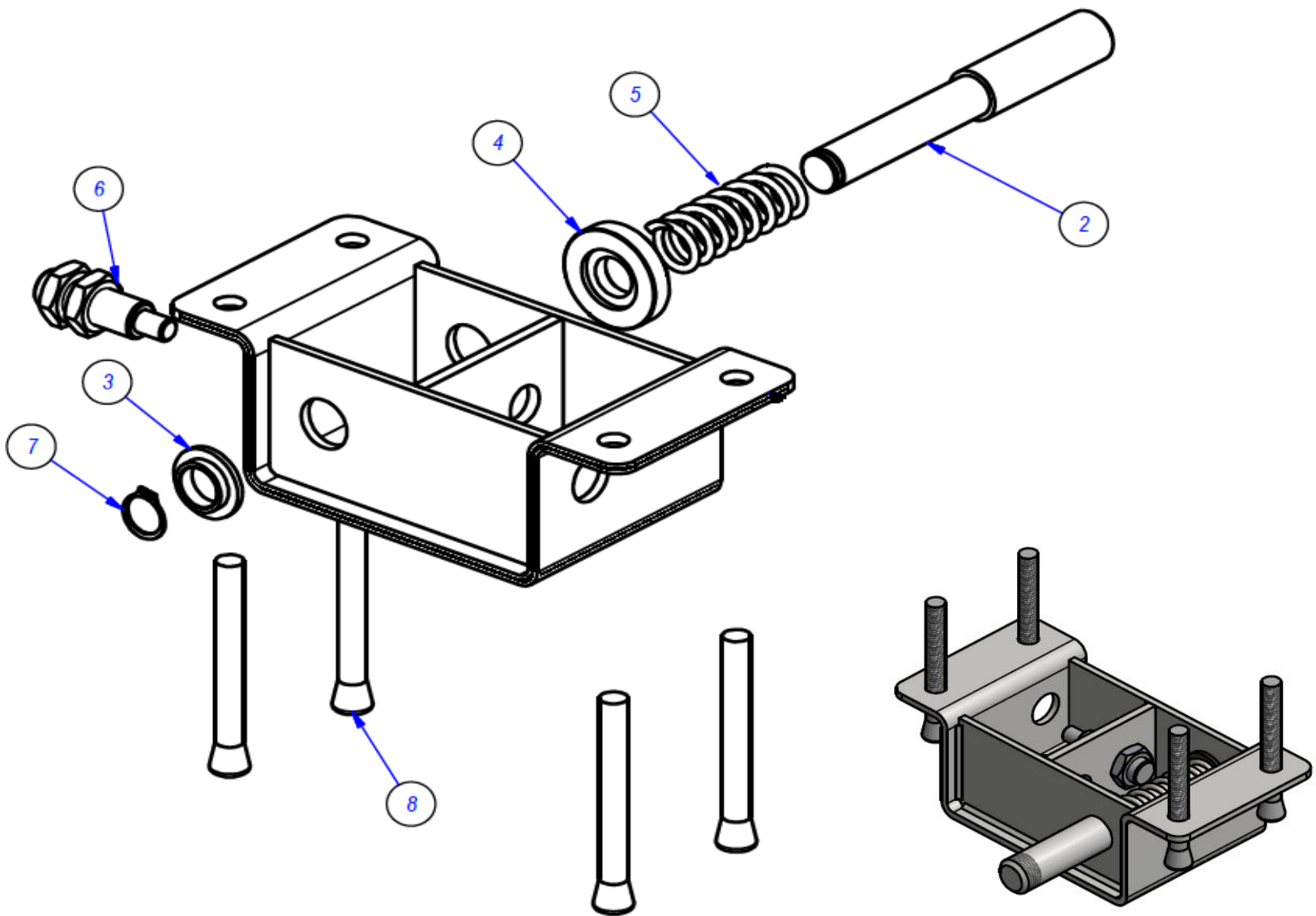
Dwg. #	Item	Description	Qty.
1	P762	Double Winch Carriage/Tow Bar	1
3	E302	M6 x 16mm Zinc Hex Bolt	18
4	N165	Galv. Scraper Wing	2
5	C464	8.8 M10-1.5 x 40mm Zinc Hex Bolt	8
6	O329	Galv. Scraper Blade (100cm)	1
	Y368	Galv. Scraper Blade (120cm)	1
	J418	Galv. Scraper Blade (140cm)	1
	P128	Galv. Scraper Blade (160cm)	1
7	N330	Galv. Scraper Arm - Right (105cm)	1
	V645	Galv. Scraper Arm - Right (125cm)	1
	S323	Galv. Scraper Arm - Right (145cm)	1
	D347	Galv. Scraper Arm - Right (165cm)	1
8	N817	Side Wing Pin (EYS Scraper)	2
9	Q798	Scraper Foot (EYS Scraper)	4
10	S401	M10-1.5 Zinc Hex Nut	8
11	P190	M8 x 16mm Zinc Hex Bolt	4
12	D295	Linch Pin for EYS Scrapers	2
13	U746	M20 Zinc Hex Nut	2
14	B759	M10 x 20mm Zinc Hex Bolt	4
15	X742	Attaching Plate for EYS Scraper Carriage	1
16	F123	Scraper Arm Connecting Pin (EYS Scraper)	2
17	K214	M20 x 100mm Zinc Hex Bolt	2
18	E233	Top Cover for EYS Scraper Carriage	1
19	J842	Galv. Scraper Arm - Left (105cm)	1
	M600	Galv. Scraper Arm - Left (125cm)	1
	K644	Galv. Scraper Arm - Left (145cm)	1
	F392	Galv. Scraper Arm - Left (165cm)	1
21	J275	M6 Zinc Hex Nut	18

Scraper Selection for Main Arms

Alley Width	Arm Size	Blade Size
9' - 10'4"	105cm	100cm
10' - 11'6"	125cm	120cm
11'6" - 13'4"	145cm	140cm
13' - 14'4"	165cm	160cm

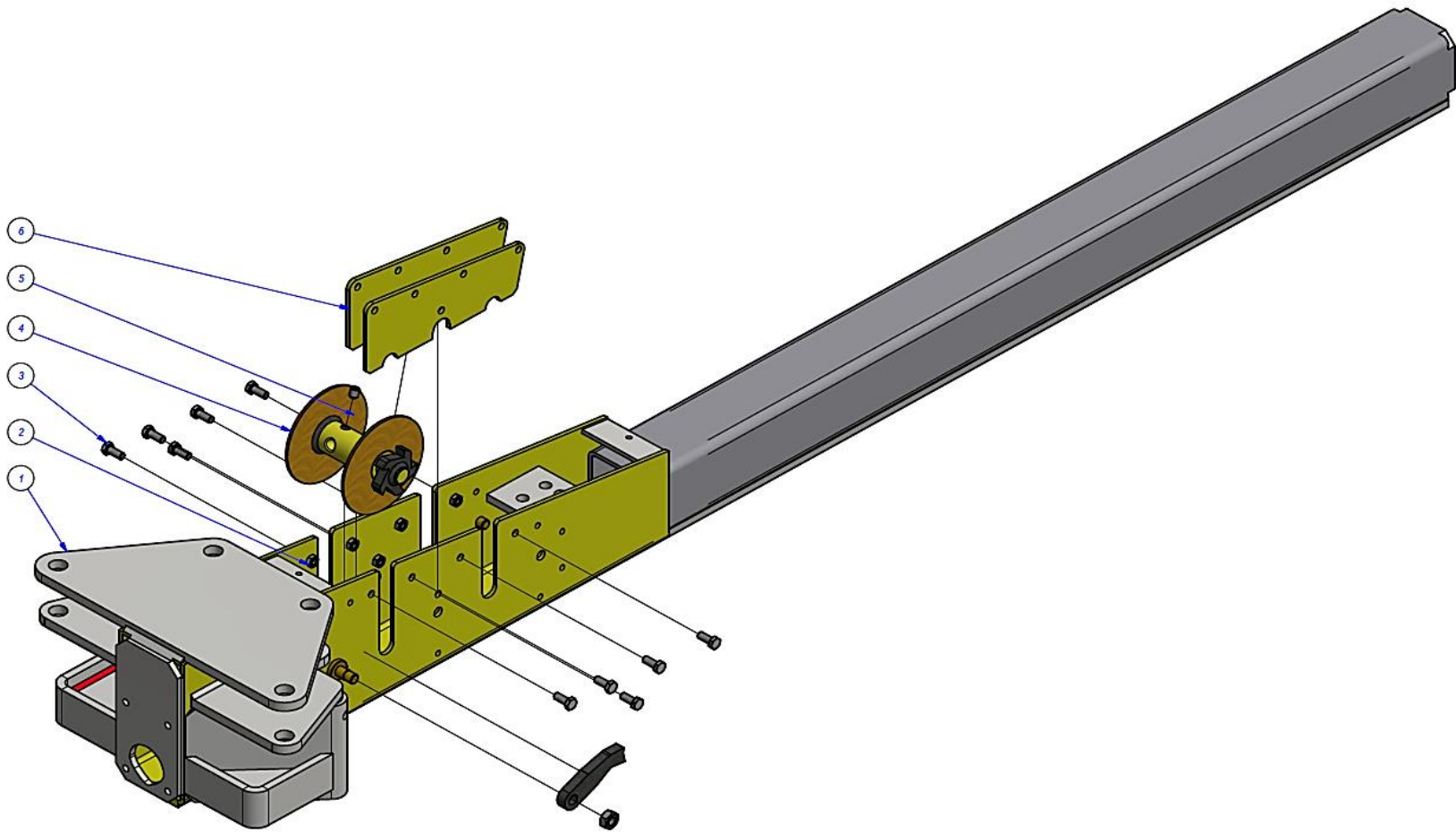


## EYS Scraper Stop Switch



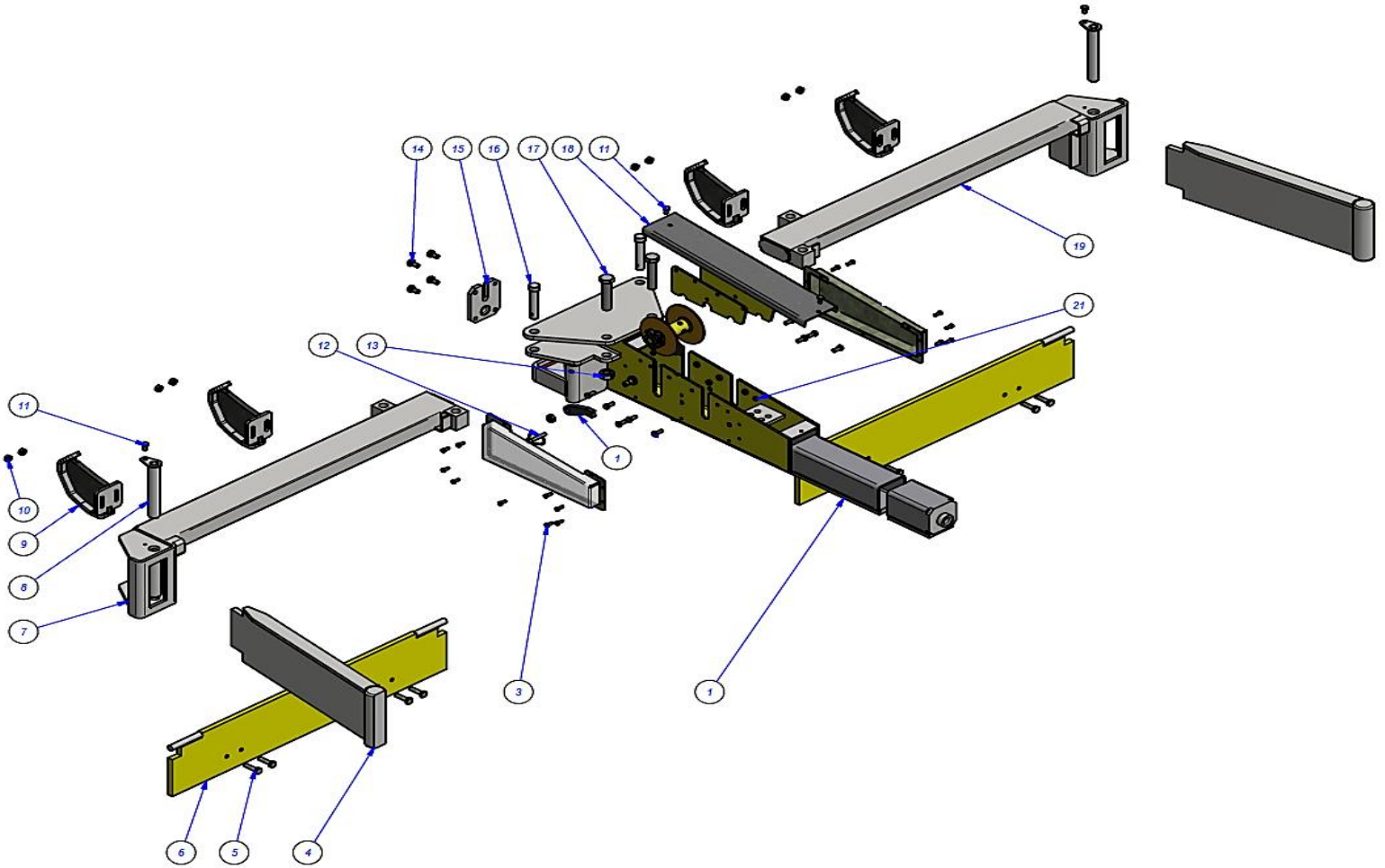
Dwg. #	Item	Description	Qty.
2	R263	Stop Spindle for Stop Switch (EYS Scraper)	1
3	Z224	Spindle Bearing for EYS Scraper Stop Switch	1
4	K738	Spring Washer for EYS Scraper Stop Switch	1
5	C425	Spring for Stop Switch (EYS Scraper)	1
6	D553	Proximity Sensor for EYS Scraper	1
7	X781	Retaining Ring for EYS Scraper Stop Switch	1
8	C402	M12 x 110mm Anchor Bolt	4

## EYS Single Winch Carriage/Towbar



Dwg. #	Item	Description	Qty
1	W321	Single Winch Carriage/Towbar	1
2	F608	M8-1.25 Zinc Hex Nut	10
3	O271	M8-1.25 x 20mm Zinc Hex Bolt	10
4	Q466	Scraper Winch (EYS Cable Scraper)	1
5	Y174	M10 x 10mm Set Screw	1
6	F704	Winch Side Cover Plate	1

## EYS Single Winch Scraper



Dwg. #	Item	Description	Qty
1	W321	Single Winch Carriage/Towbar	1
3	E302	M6 x 16mm Zinc Hex Bolt	18
4	N165	Galv. Scraper Wing	2
5	C464	8.8 M10-1.5 x 40mm Zinc Hex Bolt	8
6	O329	Galv. Scraper Blade (100cm)	1
	Y368	Galv. Scraper Blade (120cm)	1
	J418	Galv. Scraper Blade (140cm)	1
	P128	Galv. Scraper Blade (160cm)	1
7	N330	Galv. Scraper Arm - Right (105cm)	1
	V645	Galv. Scraper Arm - Right (125cm)	1
	S323	Galv. Scraper Arm - Right (145cm)	1
	D347	Galv. Scraper Arm - Right (165cm)	1
8	N817	Side Wing Pin (EYS Scraper)	2
9	Q798	Scraper Foot (EYS Scraper)	4
10	S401	M10-1.5 Zinc Hex Nut	8
11	P190	M8 x 16mm Zinc Hex Bolt	4
12	D295	Linch Pin for EYS Scrapers	2
13	U746	M20 Zinc Hex Nut	2
14	B759	M10 x 20mm Zinc Hex Bolt	4
15	X742	Attaching Plate for EYS Scraper Carriage	1
16	F123	Scraper Arm Connecting Pin (EYS Scraper)	2
17	K214	M20 x 100mm Zinc Hex Bolt	2
18	E233	Top Cover for EYS Scraper Carriage	1
19	J842	Galv. Scraper Arm - Left (105cm)	1
	M600	Galv. Scraper Arm - Left (125cm)	1
	K644	Galv. Scraper Arm - Left (145cm)	1
	F392	Galv. Scraper Arm - Left (165cm)	1
21	J275	M6 Zinc Hex Nut	18

### Scraper Selection for Main Arms

Alley Width	Arm Size	Blade Size
9' - 10'4"	105cm	100cm
10' - 11'6"	125cm	120cm
11'6" - 13'4"	145cm	140cm
13' - 14'4"	165cm	160cm