



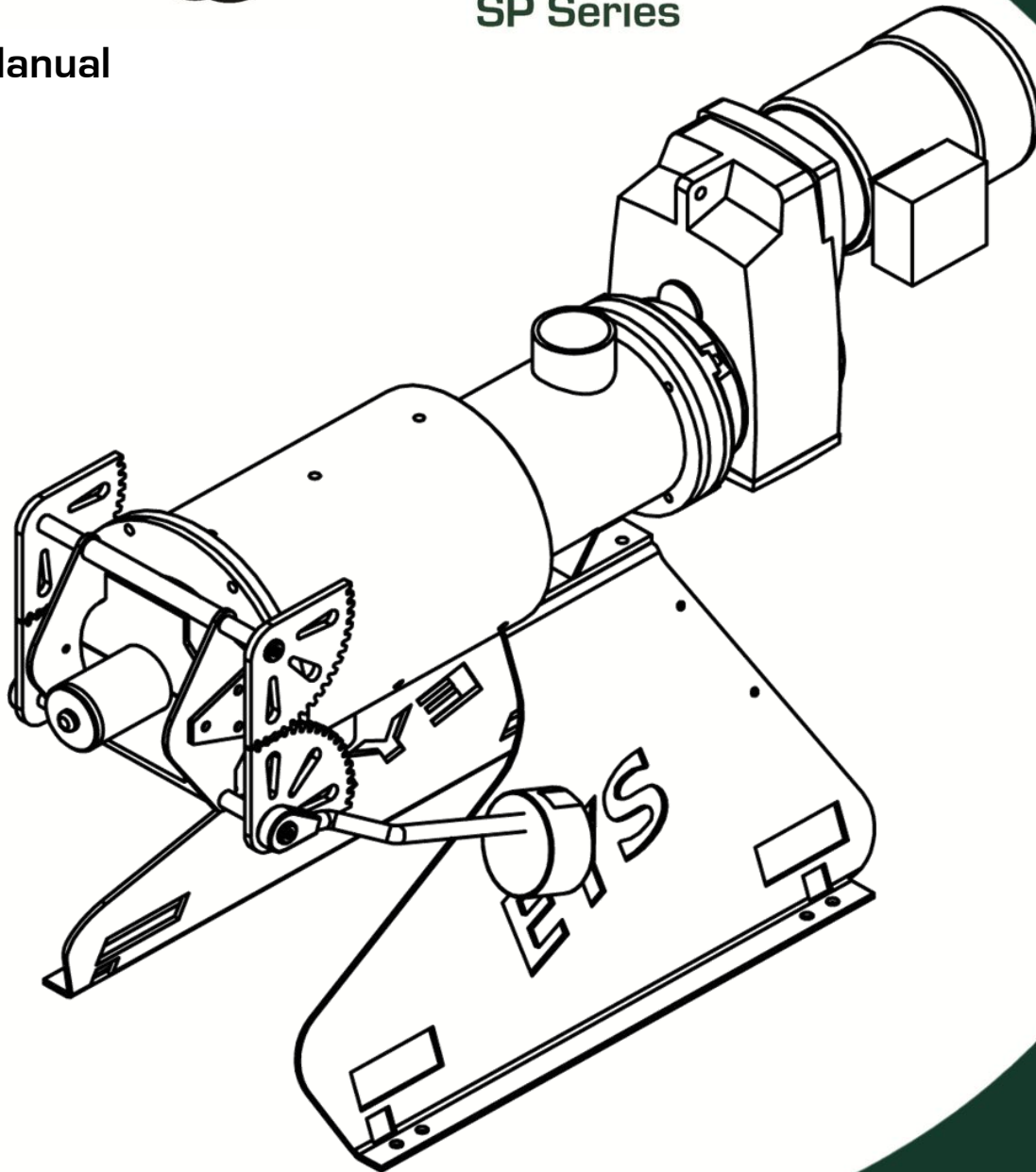
**DARITECH** INC

Manure Management

# Screw Press Separator

SP Series

Part Manual

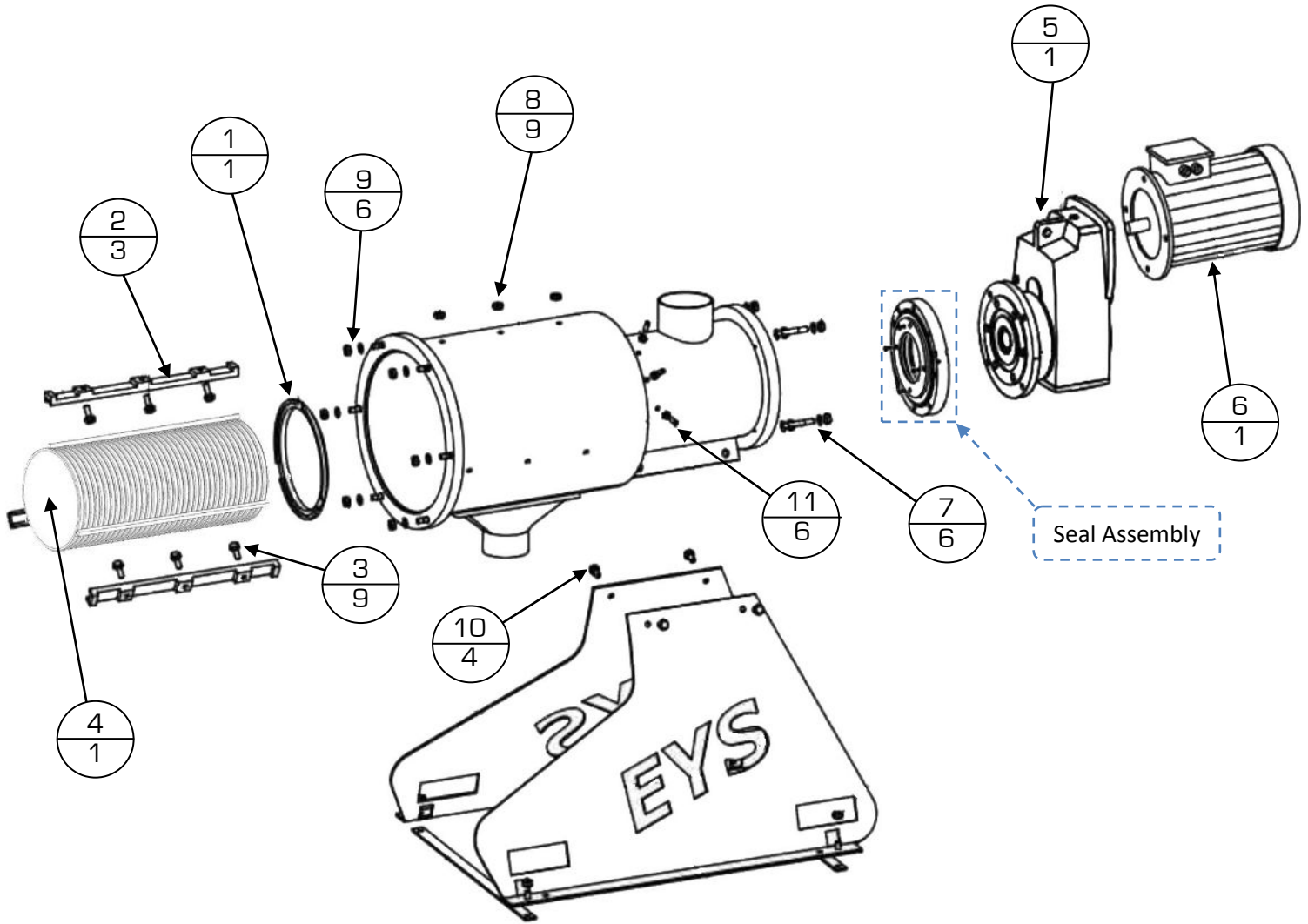


For Model:

**SP-400**



# Screw Press SP 400

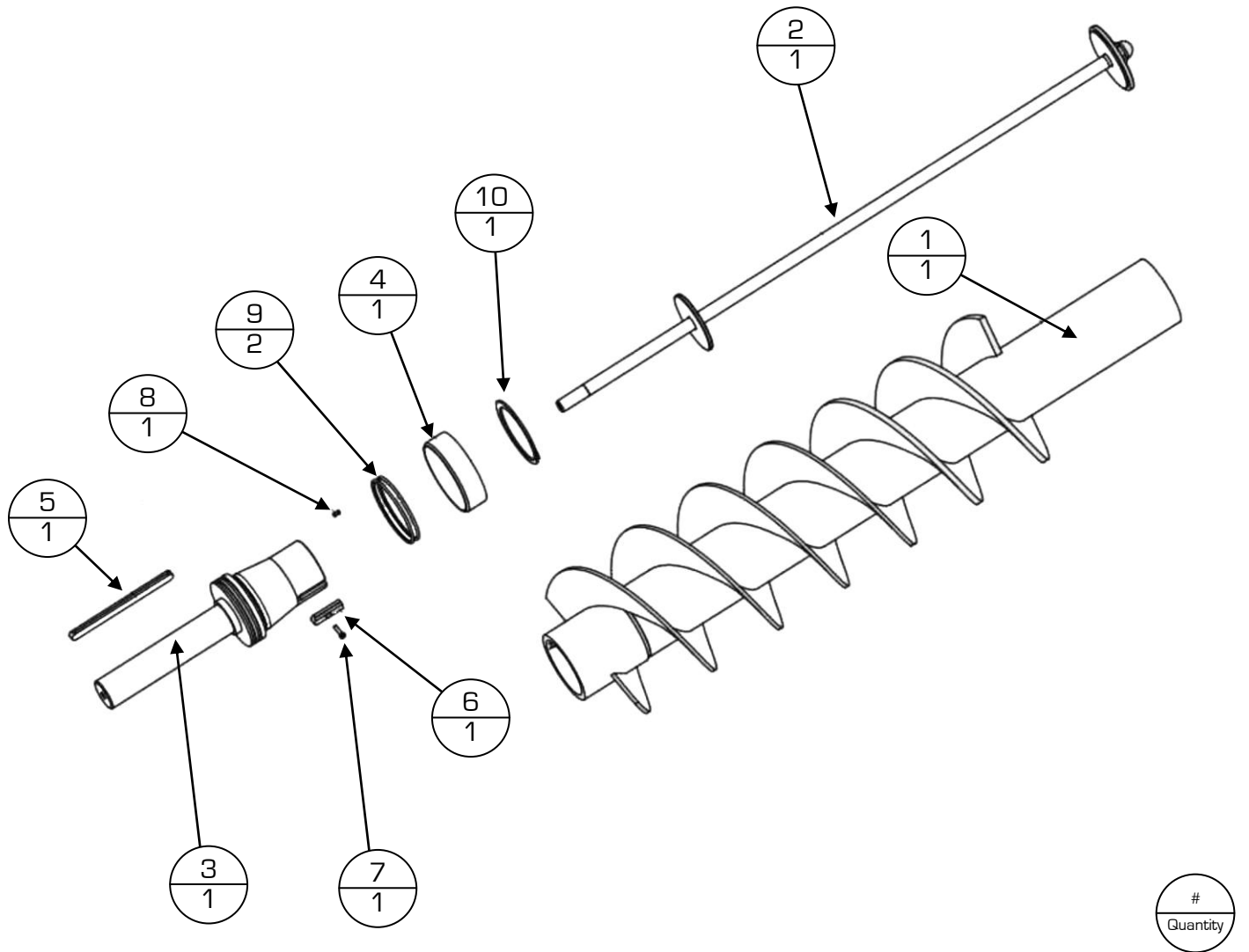


#  
Quantity

Label	Part #	Description	Label	Part #	Description
1	Y559	Body Wear Ring	7	Y470	Gearbox Stud
2	C669	Screen guide Rail		X776	Hex Nut For Gearbox Stud
3	F866	Allen-Head Bolt For Rails	8	X776	Hex Nut
4	O773	Screen [0.65mm]	9	X797	Mouth Piece Stud
5	G504	Gearbox [PD22]		Y409	Hex Nut For Mouth Piece
6	Y121	3 HP SP 400 Motor	10	D435	Hex Bolt For Leg
			11	X110	Cleaner Bolt

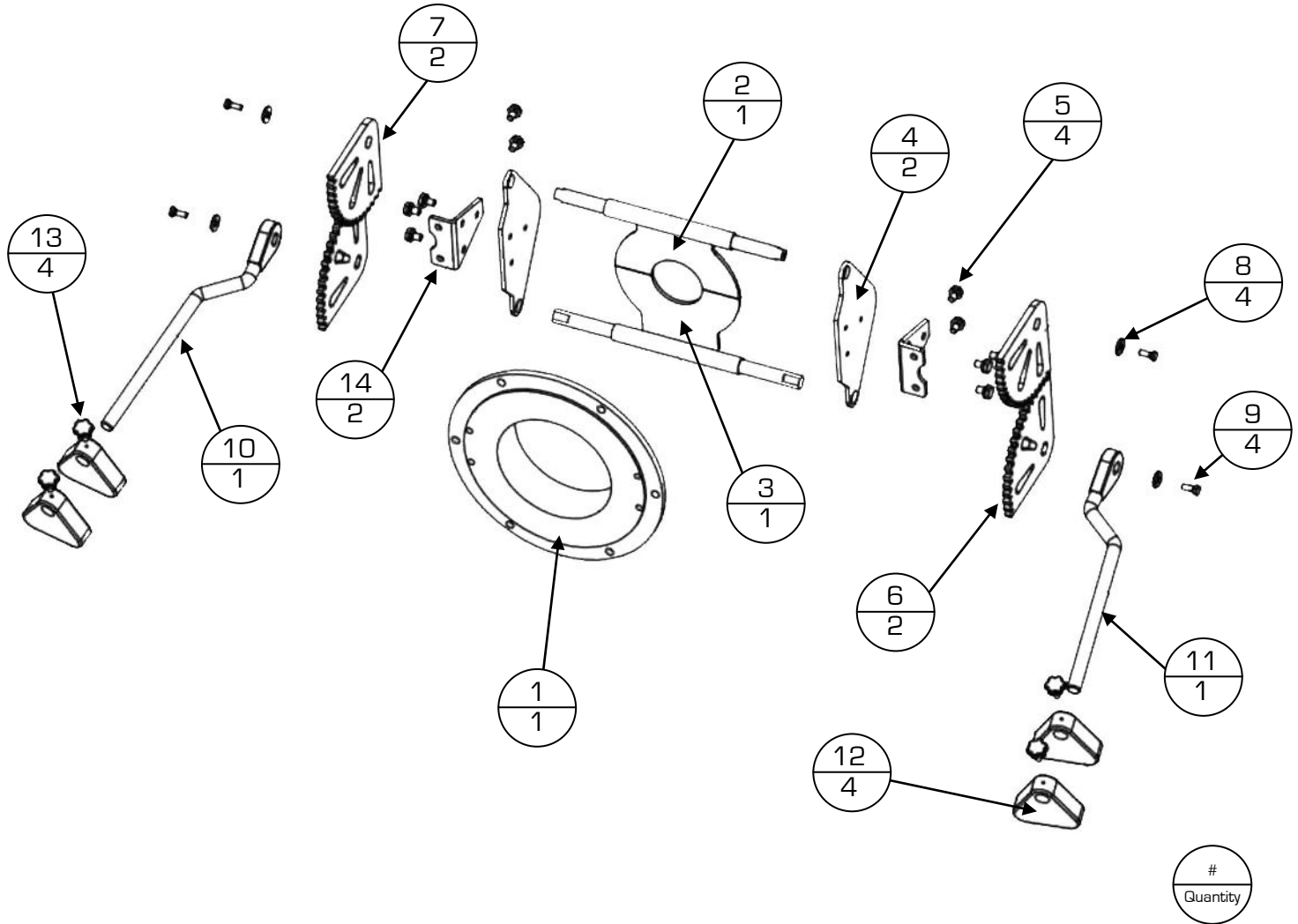
\* Items not listed are considered non-common replacement parts and can be custom ordered upon request.

## Screw Press SP 400 - Auger Assembly



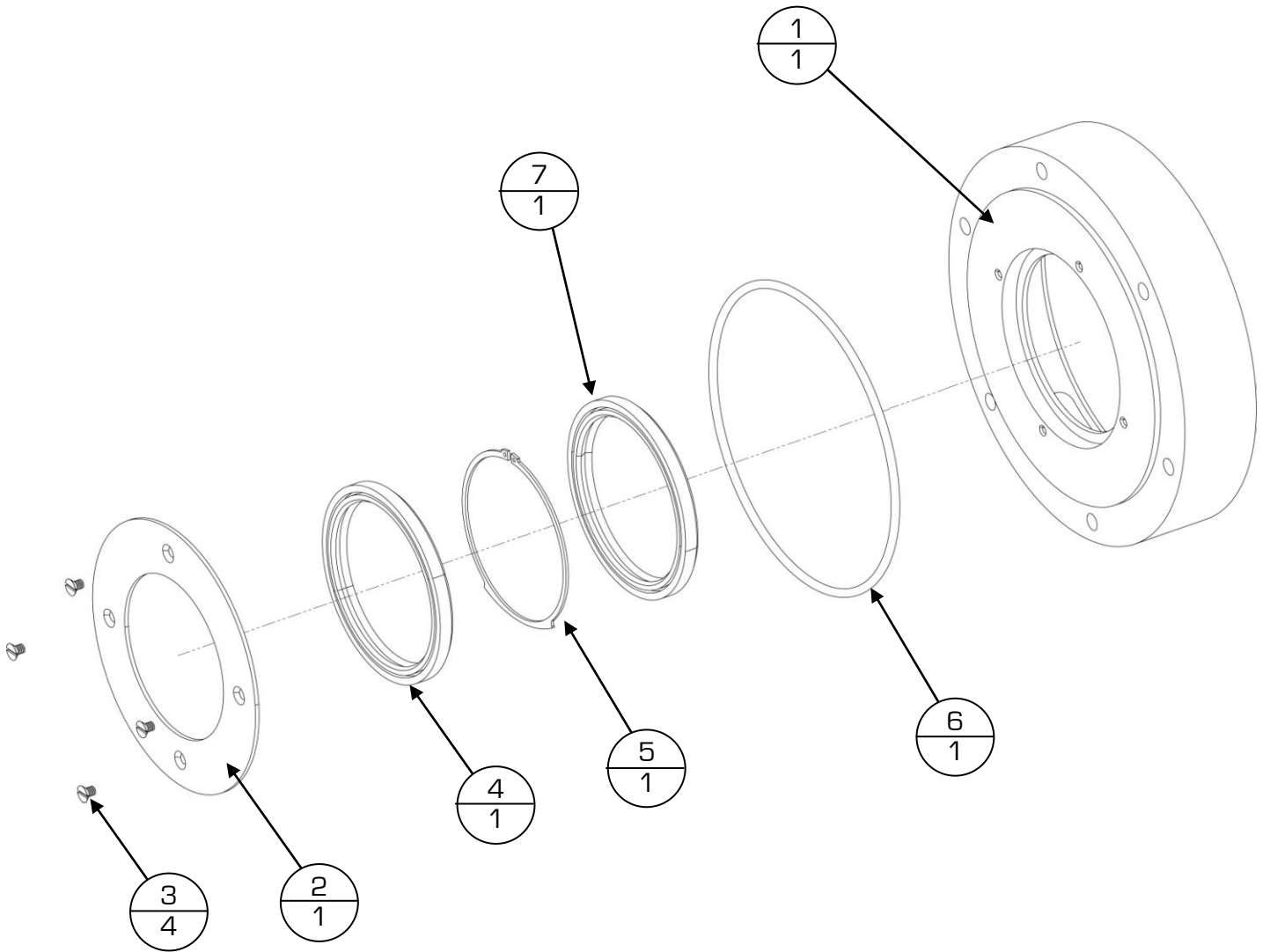
Label	Part #	Description
1	K533	Auger
2	D534	Auger Install Rod
3	R588	Auger Hub
4	Y559	Hub Wear Ring
5	A655	Hub - Gearbox Key
6	R819	Hub - Auger Key
7	U498	Allen-Head Screw For Hub Key
8	N409	Roll Pin For Hub Wear Ring
9	S271	O-Ring For Hub Wear Ring
10	T599	Snap Ring For Hub Wear Ring

## Screw Press SP 400 - Discharge Assembly



Label	Part #	Description
1	E134	Mouth Piece
2	B345	Upper Flap
3	O899	Lower Flap
4	Q382	Side Plate
5	A626	Hex Bolt For Side Plate
6	S326	Lower Gear
7	U430	Upper Gear
8	O647	Washer For Mouth Piece Gear
9	T745	Regulation Arm Bolt
10	P445	Regulation Arm (Right)
11	P697	Regulation Arm (Left)
12	J390	Weights
13	M717	Weight Positioning Bolt
14	A737	Side Plate Connector

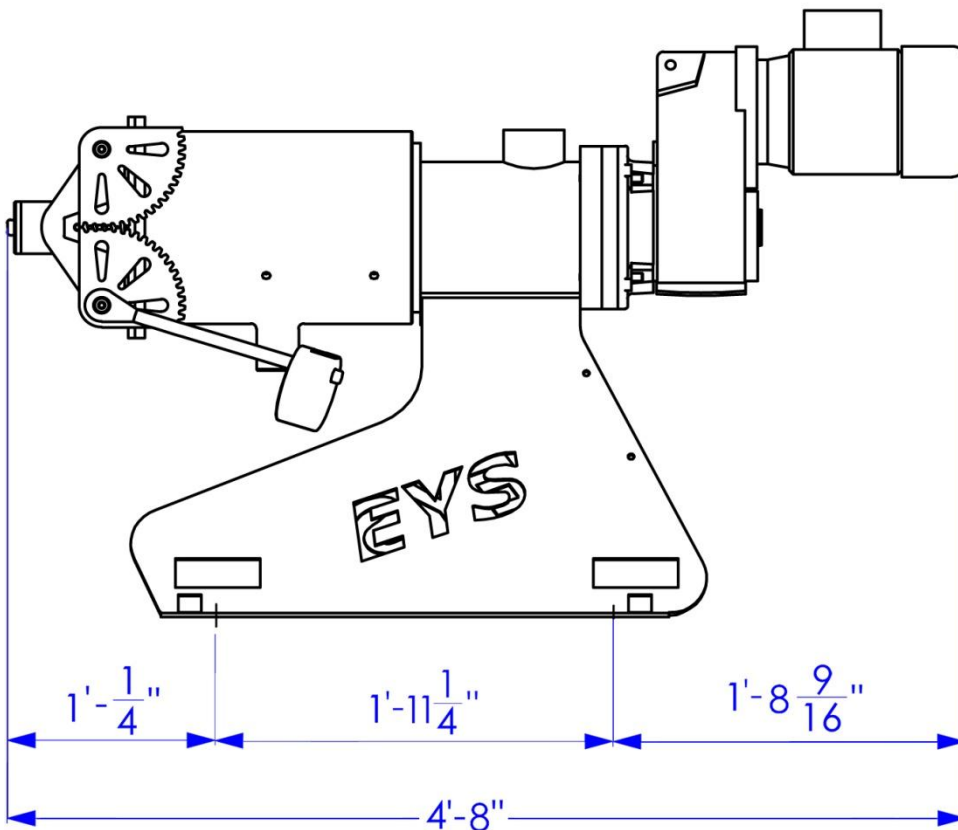
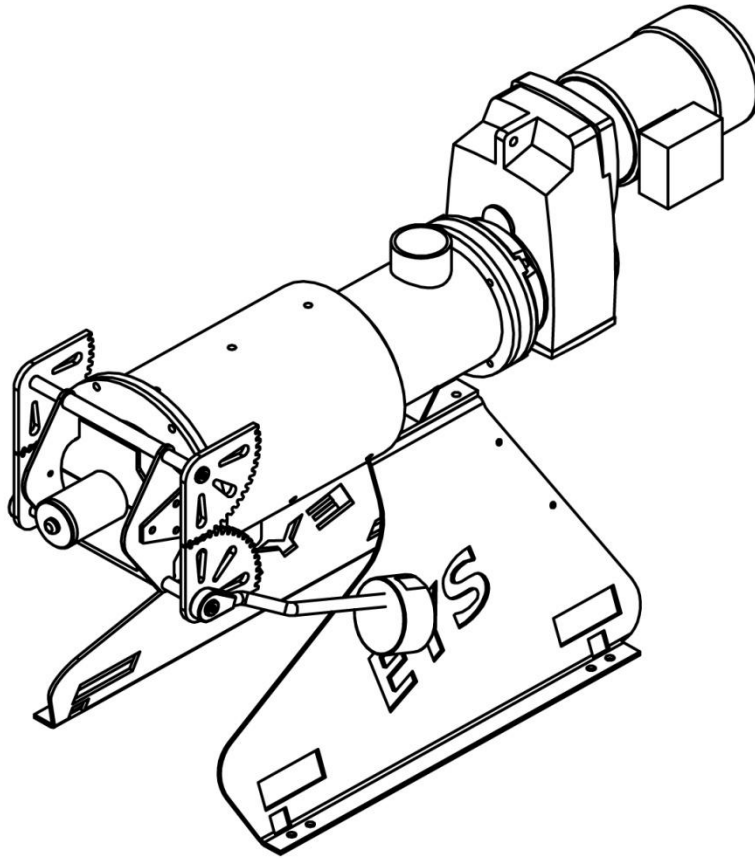
## Screw Press SP-400 – Seal Assembly



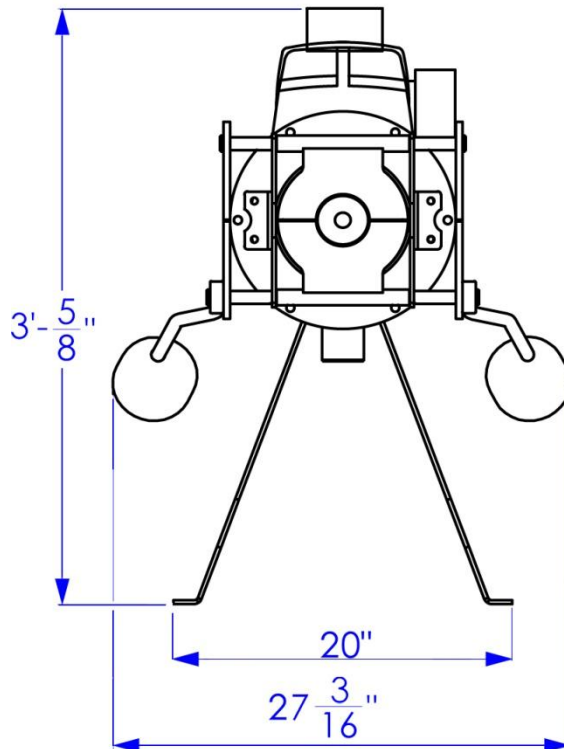
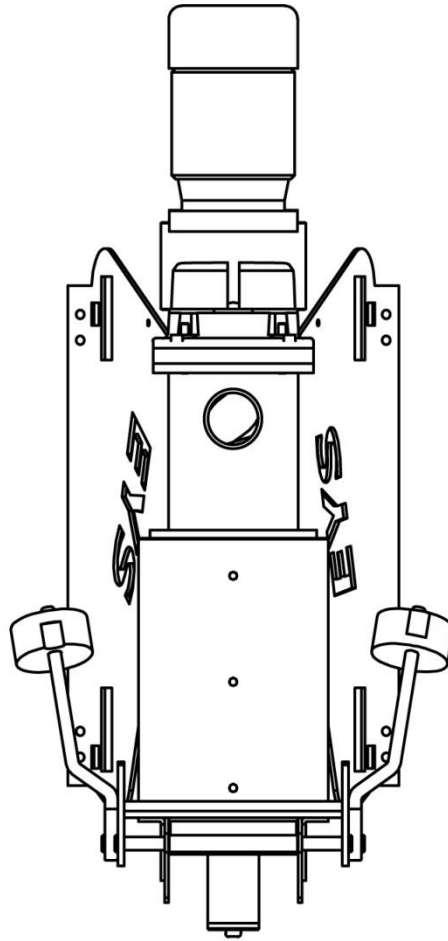
Parts associated with \* next to them are sold as an assembly kit only. Kit includes parts 1-6.

Label	Part #	Description
1	* K653	Gearbox Separation Flange (Sold as Kit Only)
2	Q144	Seal Plate Cover
3	O676	Countersink Allen-Head Bolt
4	A872	Seal Cut
5	R107	Snap Ring
6	G700	O-Ring
7		Seal Double Lip

# Screw Press Separator - SP-400 Overall Dimensions



# Screw Press Separator - SP-400 Overall Dimensions







---

For Technical Support, to order Replacement Parts, or for questions about other products, please contact your local dealer.

---

