



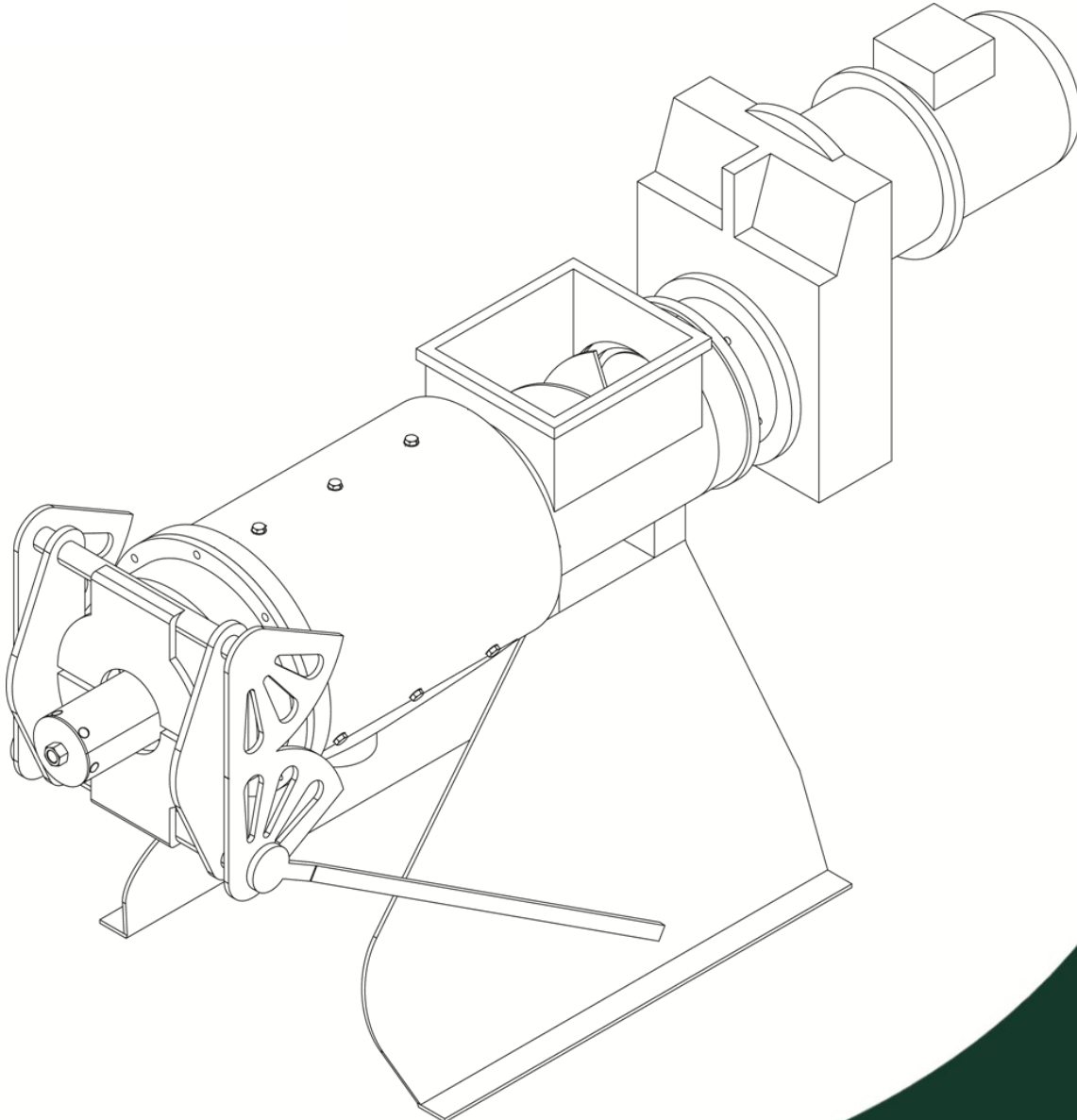
DARITECH^{INC}

Manure Management

Screw Press Separator

SP Series

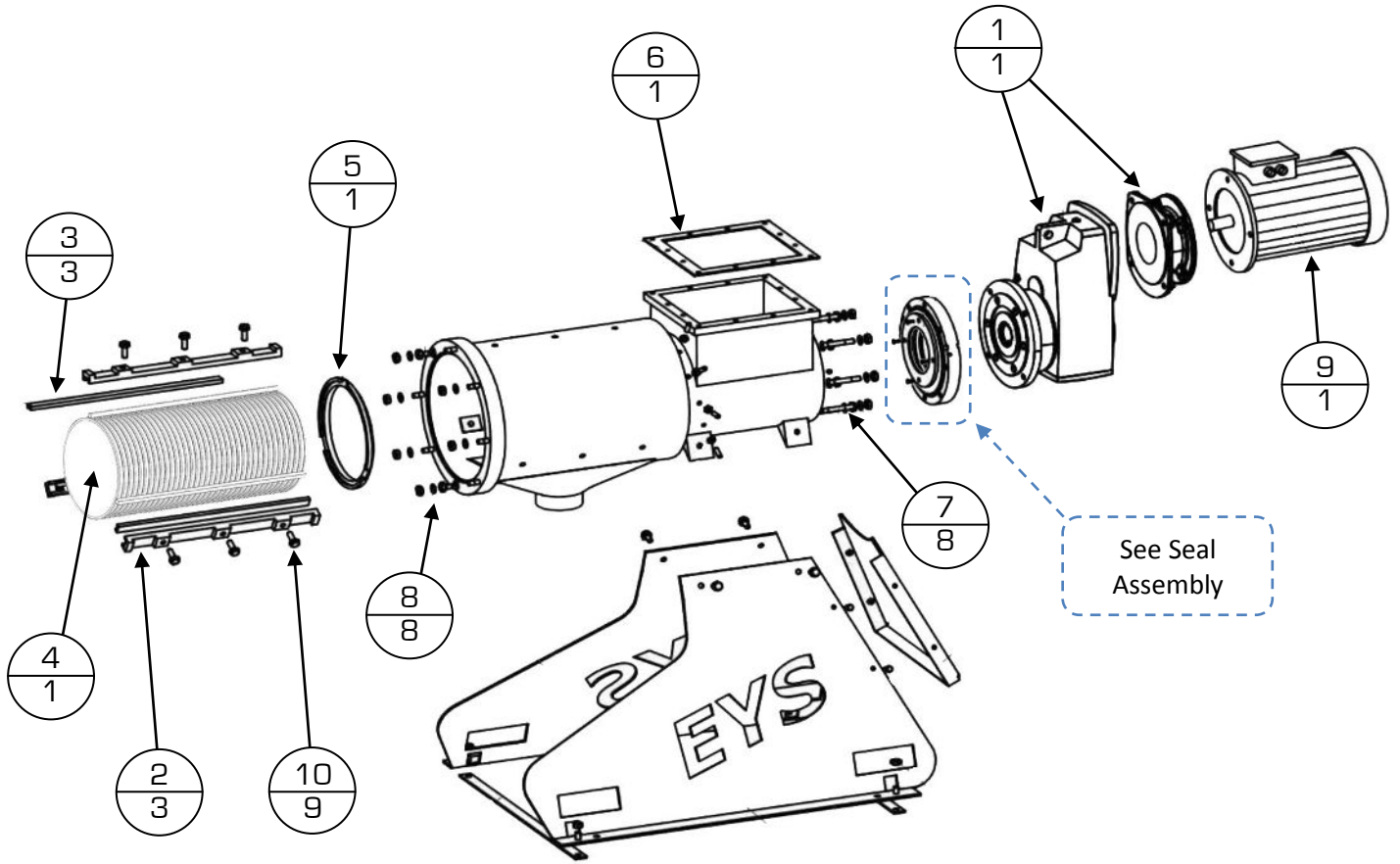
Part Manual



For Model:

SP-600

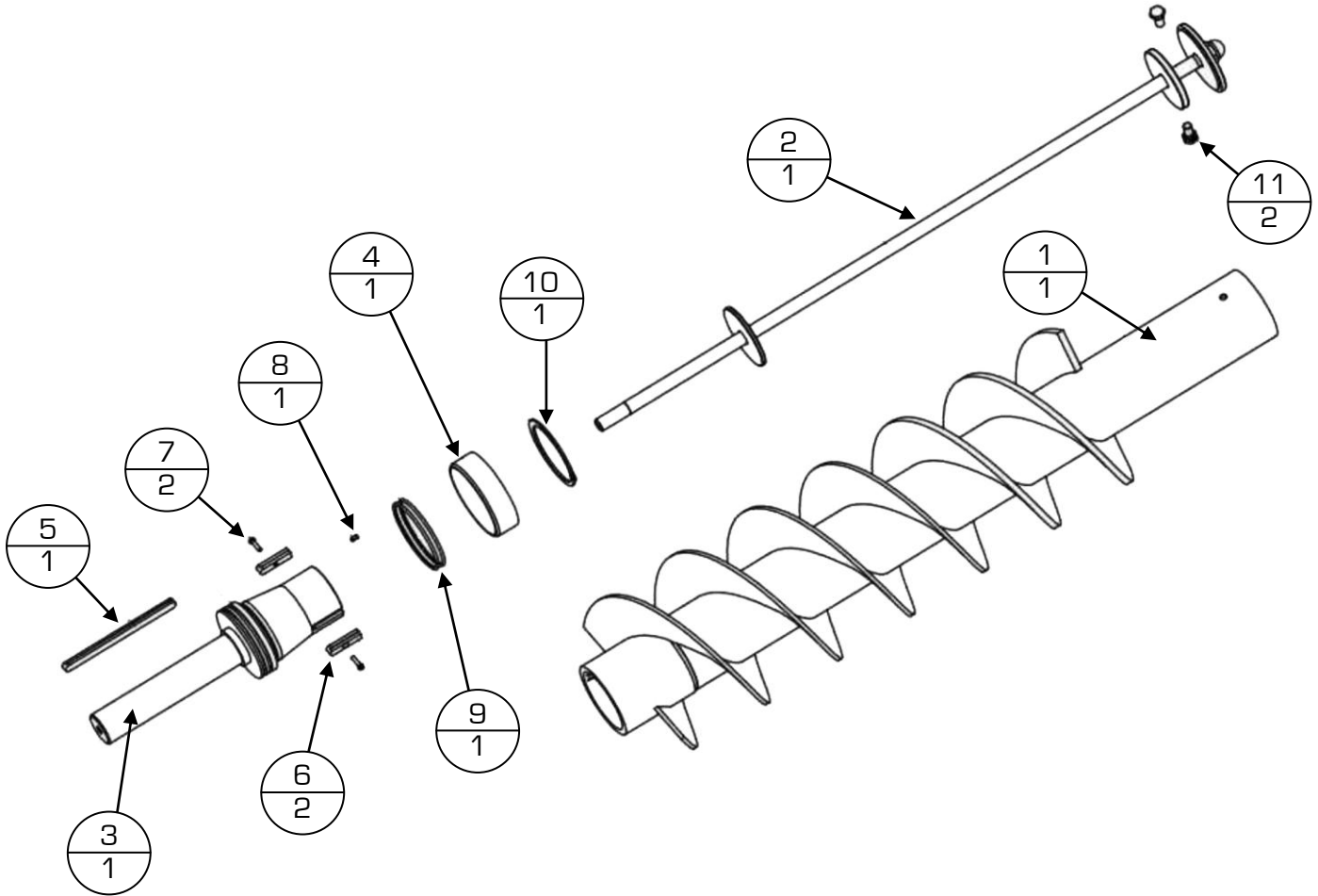
Screw Press SP 600



Label	Part #	Description	Label	Part #	Description
1	G897	Gearbox (PD42-B5)	7	O890	Gearbox Stud
	K861	PAM Connector (PD42-52 PAM 132)		A710	12mm SS Flat Washer
2	R106	28mm Screen Guide Rail (<i>Older Models</i>)		E683	12mm SS Hex Nut
	N838	25mm Screen Guide Rail	8	S106	Mouth Stub 12mm -1.75 x 35mm
3	D883	Guide Rail Insert		A710	12mm SS Flat Washer
4	B492	Standard Screen (0.65mm)	E683	12mm SS Hex Nut	
5	F676	Body Wear Ring	9	N141	5.5 kW Motor (body:132)
6	D749	Inlet Cover Gasket	10	C158	Guide Rail Bolts with Flat Washers

*Items not listed are considered non-common replacement parts and can be custom ordered upon request.

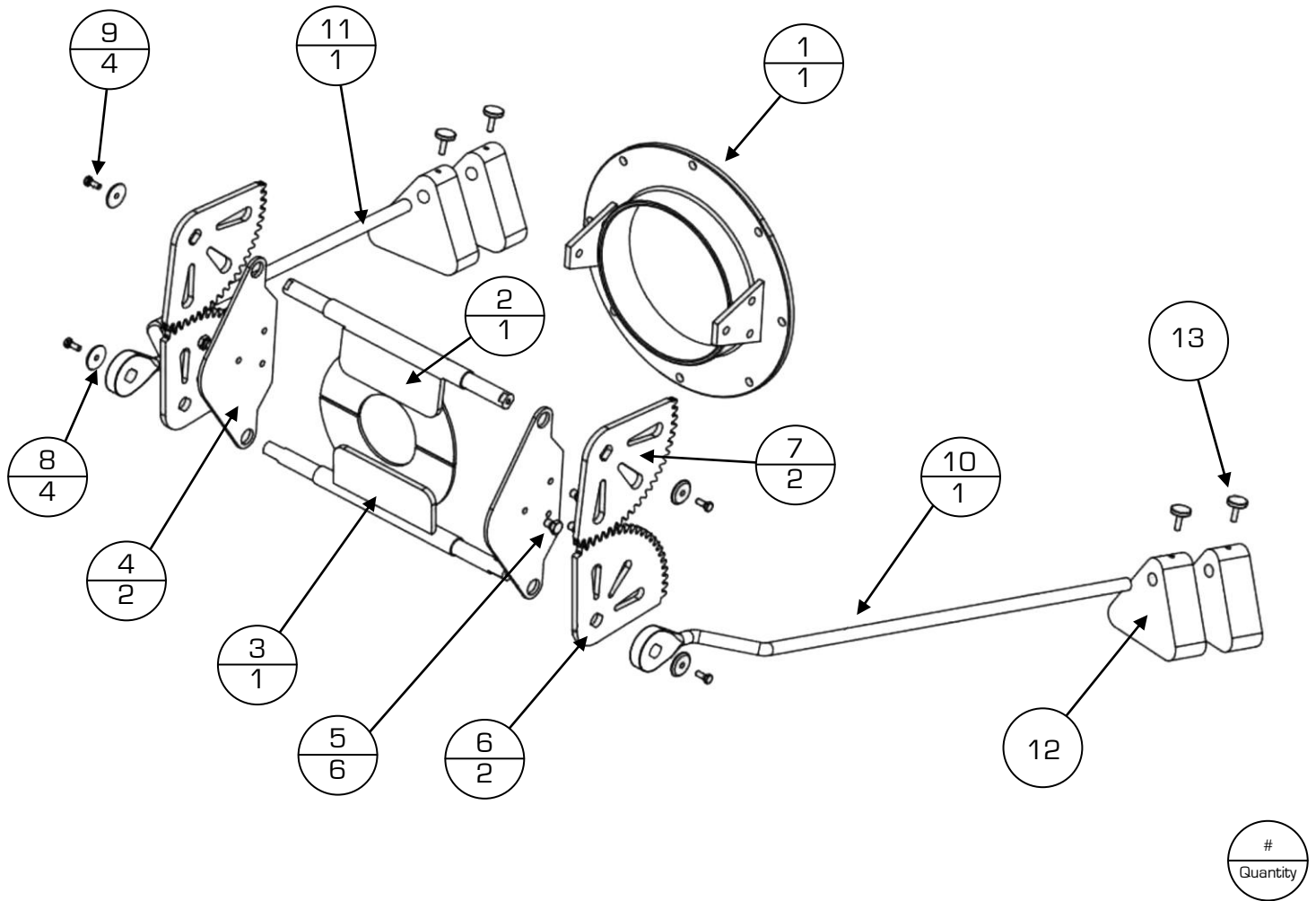
Screw Press SP 600 - Auger Assembly



#
Quantity

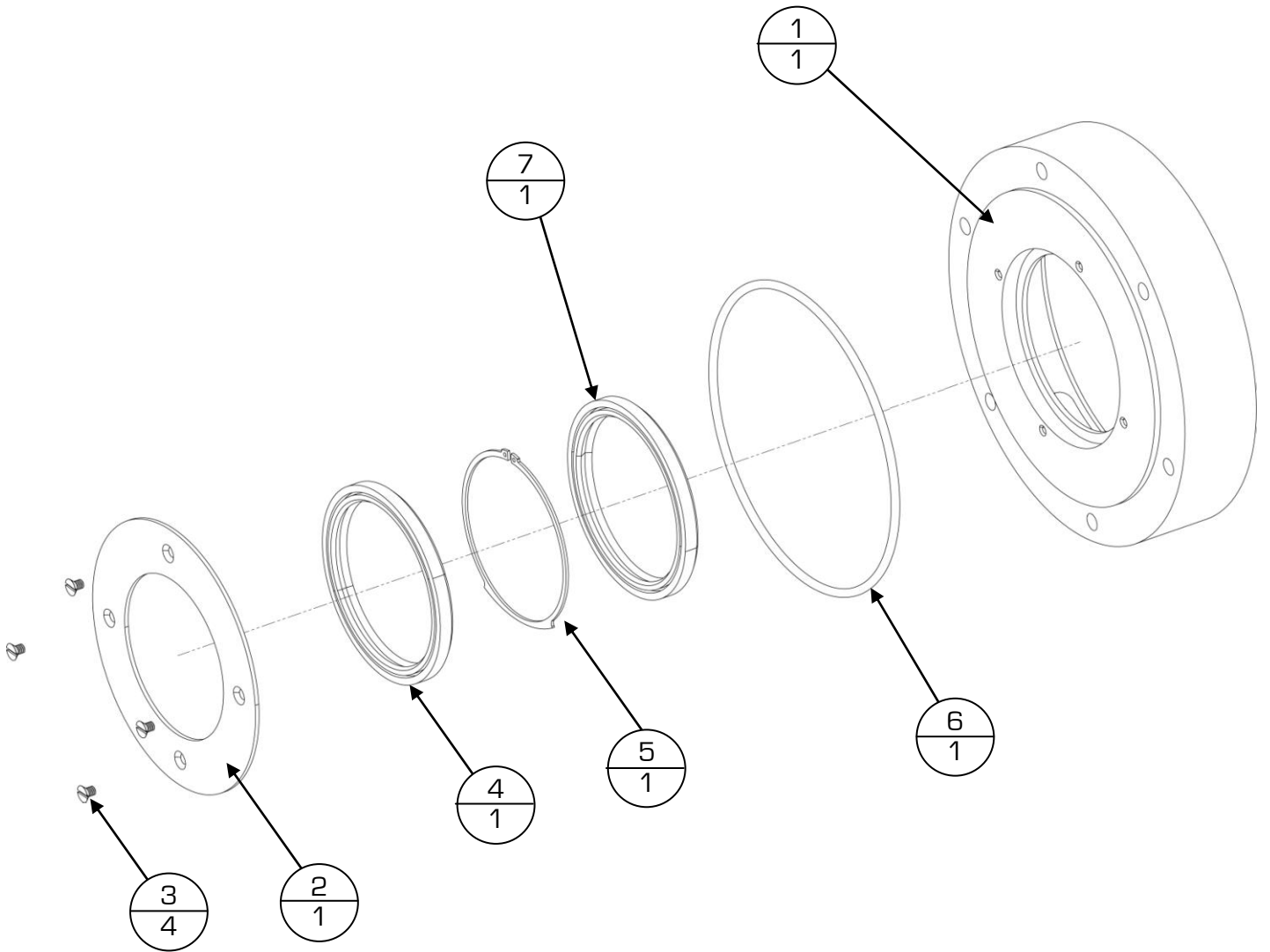
Label	Part #	Description
1	G702	Auger
2	X278	Auger Install Rod
3	S161	Auger Hub
4	R516	Hub Wear Ring
5	A692	Hub - Gearbox Key
6	Z774	Hub - Auger Key
7	L702	Allen-Head Screw
8	Y531	Roll Pin For Hub Wear Ring 100 x 5
9	R443	O-Ring For Hub Wear Ring
10	M834	Snap Ring [093] For Hub Wear Ring
11	N719	Dismantling Bolt 12mm X 20mm SS

Screw Press SP 600 – Discharge Assembly



Label	Part #	Description
1	E142	Mouth Piece
2	A748	Upper Flap
3	O348	Lower Flap
4	U198	Side Plate
5	P838	Body Extension Rail Bolt 12mm X 20mm
6	F177	Lower Gear
7	R826	Upper Gear
8	J437	Washer
9	U167	SS Hex Bolt 8mm x 20mm
10	E126	Regulation Arm (Right)
11	D519	Regulation Arm (Left)
12	J390	Weights [Quantity Can Vary, Sold As Needed]
13	M717	Weight Positioning Screws [Quantity Can Vary, Sold As Needed]

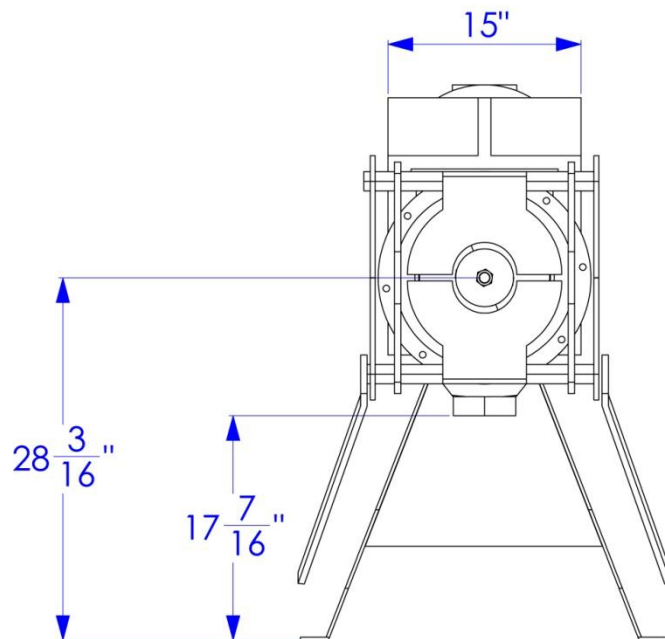
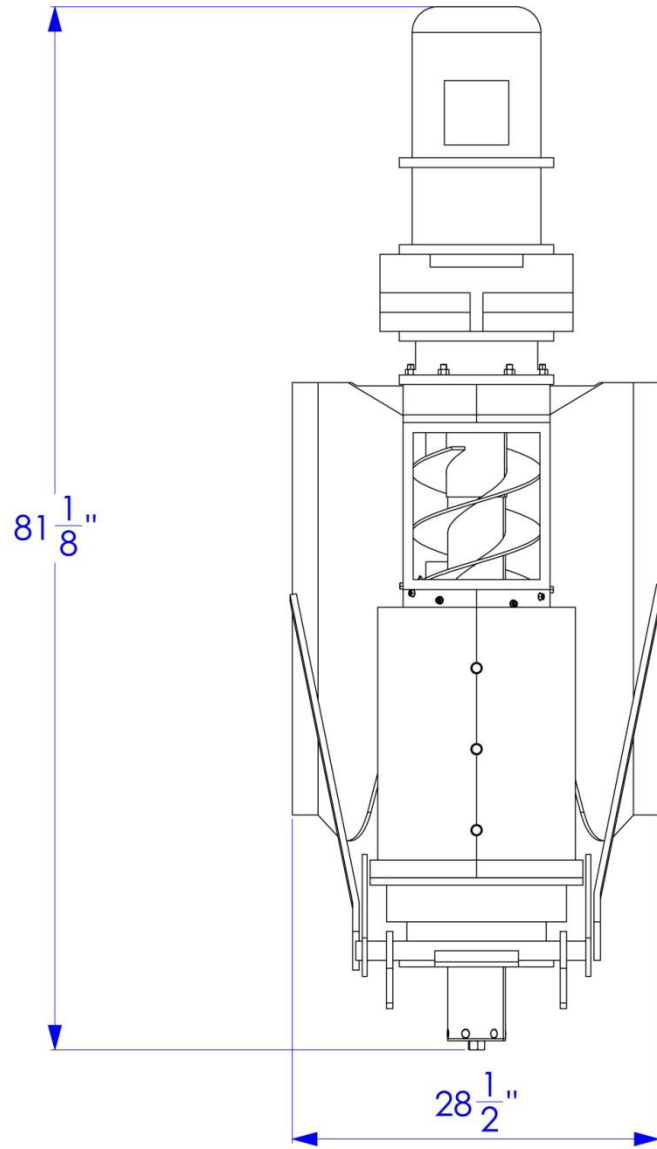
Screw Press SP-600 – Seal Assembly



Parts associated with * next to them are sold as an assembly kit only. Kit includes parts 1-6.

Label	Part #	Description
1	*C726	Gearbox Separation Flange (Sold as Kit Only)
2	Y239	Seal Plate Cover
3	O676	Countersink Allen-Head Bolt
4	O416	Seal - Cut
5	C404	Snap Ring
6	E417	O-Ring
7	P616	125 X 150 X 12 Seal Double Lip

Screw Press Separator – SP-600 Overall Dimensions



For Technical Support, to order Replacement Parts, or for questions about other products, please contact your local dealer.
