

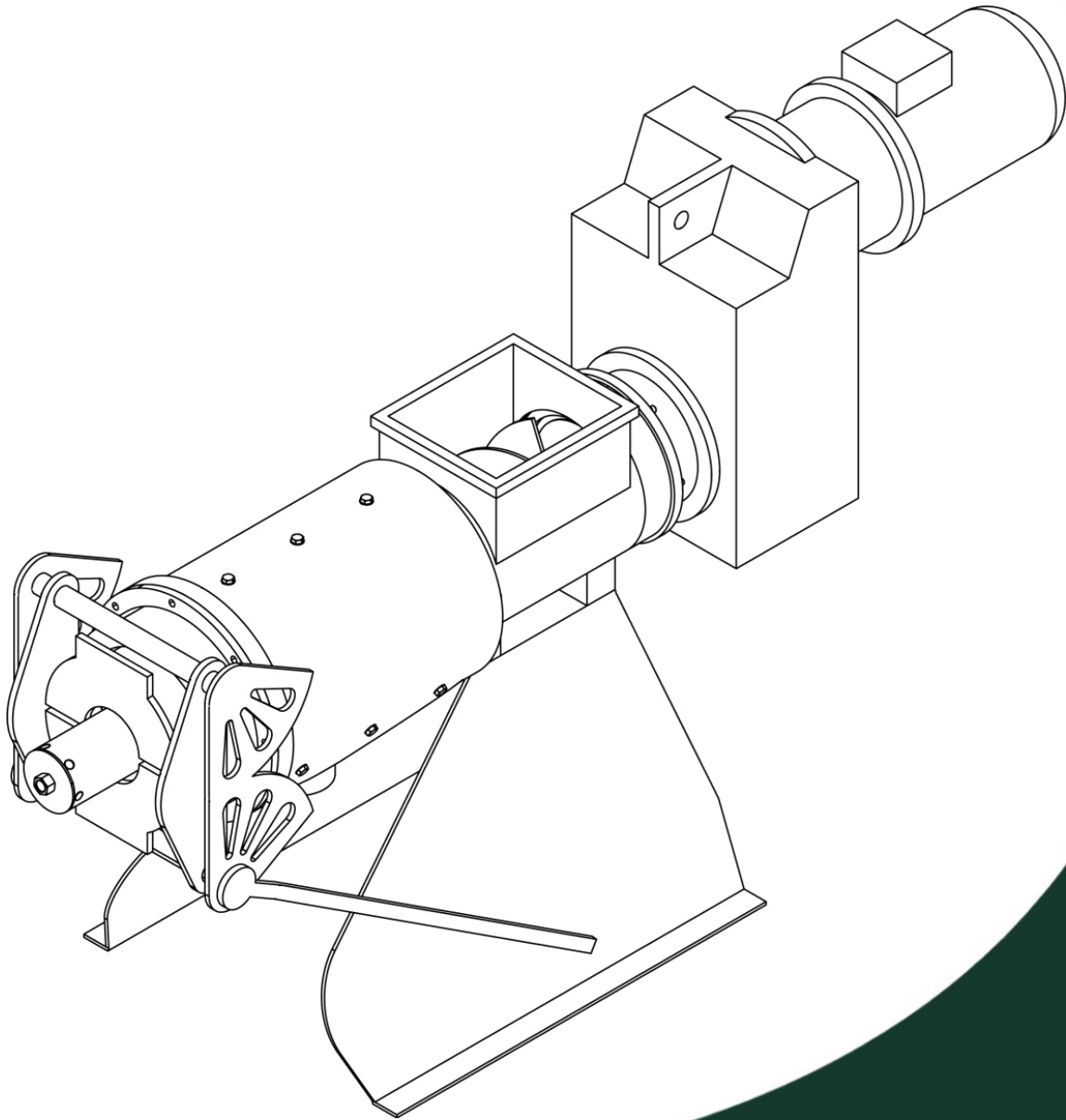


**DARITECH** INC  
Manure Management

# Screw Press Separator

SP Series

Part Manual

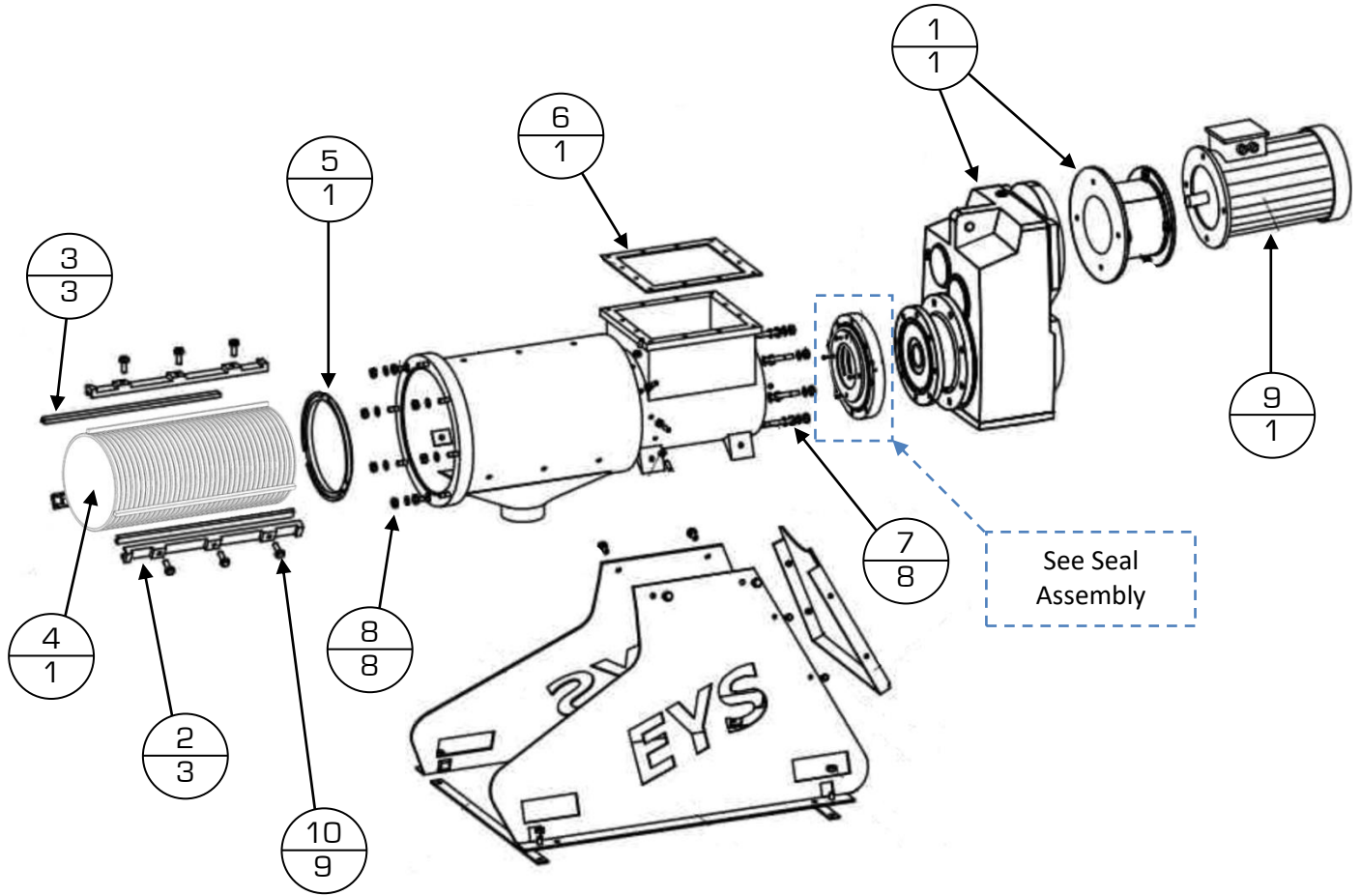


For Model:

**SP-600HD**

<b>Revision #</b>	<b>Date</b>	<b>Description</b>
Rev. 0.0		Manual Completion
Rev. 0.1	7/23/2025	Part # update on Auger Assembly page

# Screw Press SP 600HD

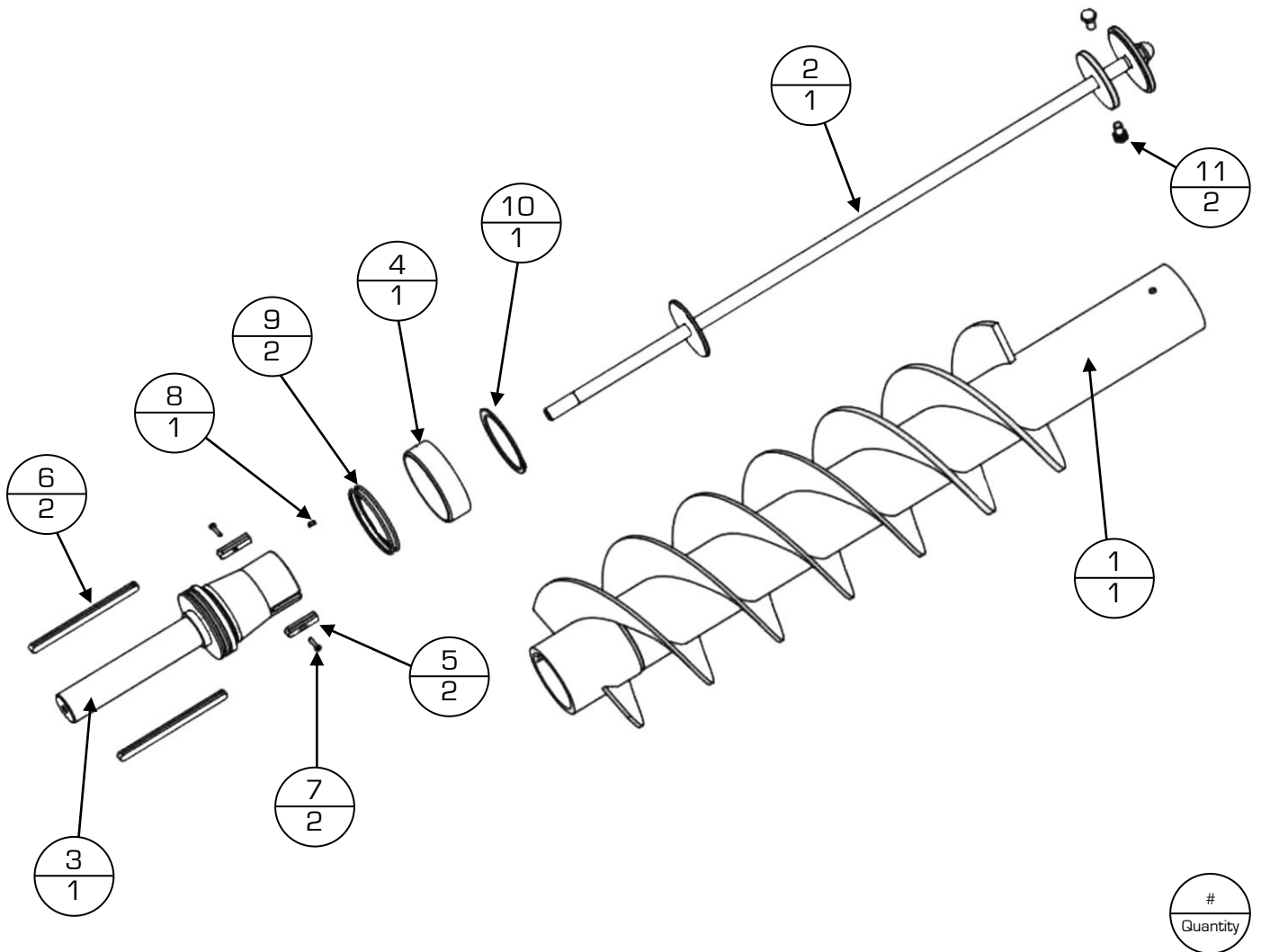


#  
Quantity

Label	Part #	Description	Label	Part #	Description
1	D856	Gearbox (PD73-B5)	7	F514	Gearbox Stud M12 - 1.75 x 115mm <i>(For 1 Spacer)</i>
	B581	IEC Connector (PD73 IEC 132)		F719	Gearbox Stud M12 - 1.75 x 133mm <i>(For 2 Spacers)</i>
2	N838	Screen Guide Rail		A710	12mm Washer
3	D883	Guide Rail Insert		E683	12mm Hex Nut
4	A116	516mm X 1mm HD Full Screen 12.5mm Wrap	8	S106	12mm Mouth Piece Stud
	R354	516mm X 1mm HD Full Screen 15mm Wrap		A710	12mm Washer
	M227	516mm X 1mm HD Full Screen 10mm Wrap		E683	12mm Hex Nut
5	F676	Body Wear Ring	9	N141	5.5 kW Motor (body:132)
6	D749	Inlet Cover Gasket	10	C158	Guide Rail Bolts with Flat Washer

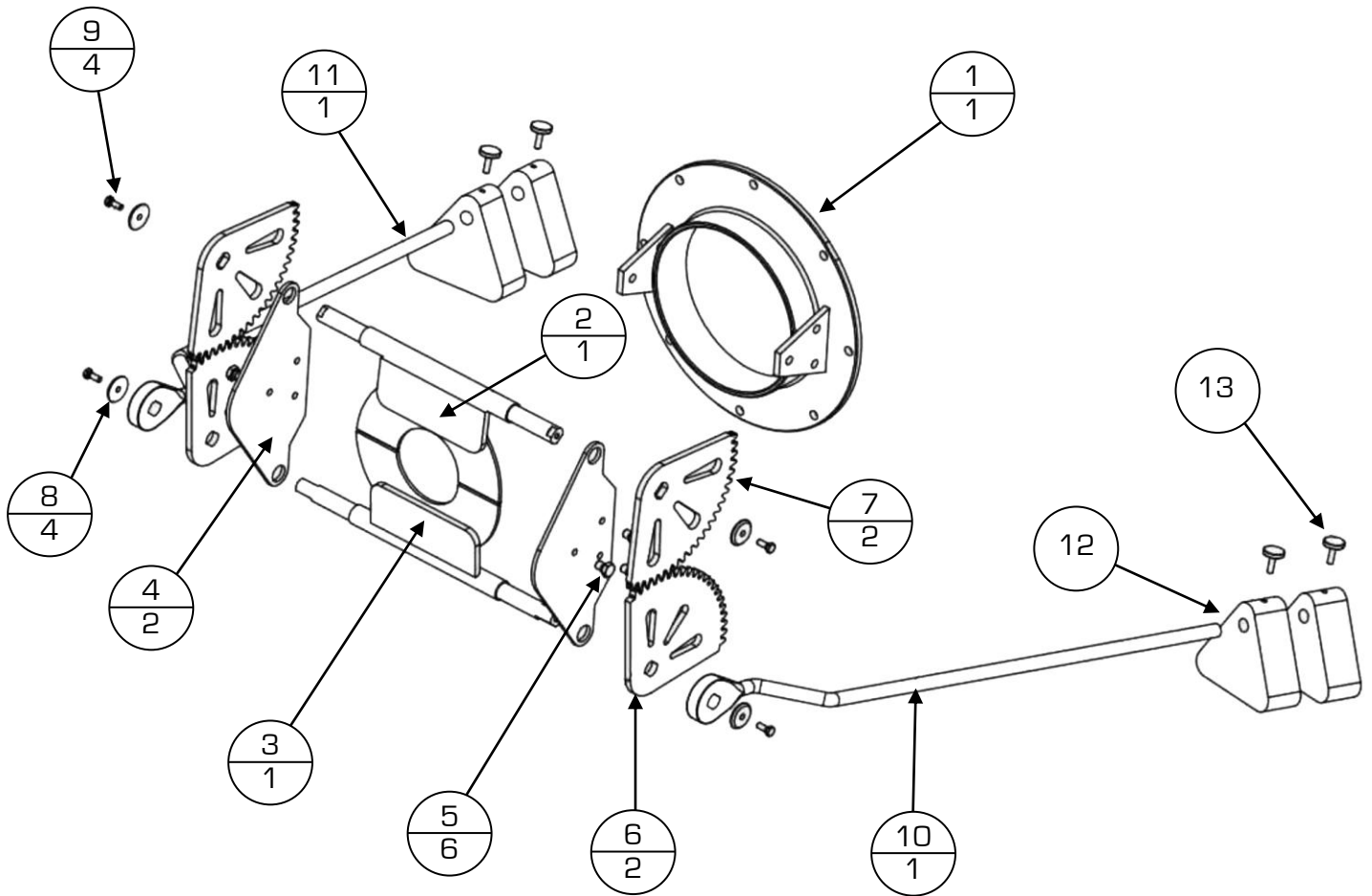
\*Items not listed are considered non-common replacement parts and can be custom ordered upon request.

## Screw Press SP 600HD – Auger Assembly



Label	Part #	Description
1	M585	Auger
2	D375	Auger Assembly Rod for 600HD
3	Y543	Auger Hub
4	R516	Hub Wear Ring
5	Z774	Hub - Auger Key
6	G448	Hub - Gearbox Key
7	L702	Allen-Head Screw
8	Y531	Pin
9	R443	O-Ring (2x)
10	M834	Snap Ring (093)
11	N719	Dismantling Bolt

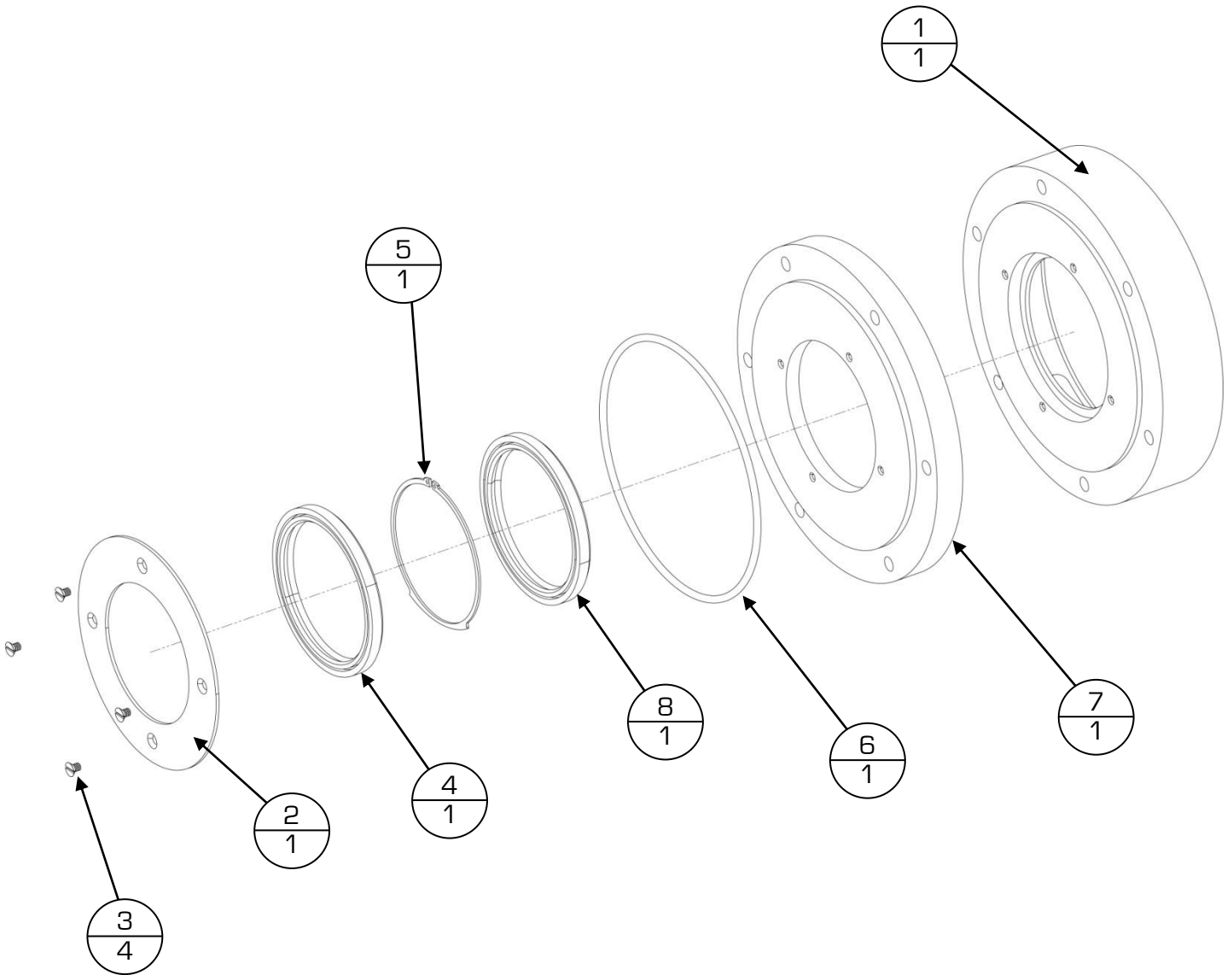
## Screw Press SP 600HD – Discharger Assembly



#
Quantity

Label	Part #	Description
1	E142	Mouth Piece
2	K801	Upper Flap
3	V124	Lower Flap
4	U198	Side Plate
5	P838	Hex Bolt
6	F177	Lower Gear
7	R826	Upper Gear
8	J437	Washer
9	U167	SS Hex Bolt 8mm x 20mm
10	E126	Regulation Arm (Right)
11	D519	Regulation Arm (Left)
12	J390	Weights (Quantity Can Vary, Sold As Needed)
13	M717	Weight Positioning Screws (Quantity Can Vary, Sold As Needed)

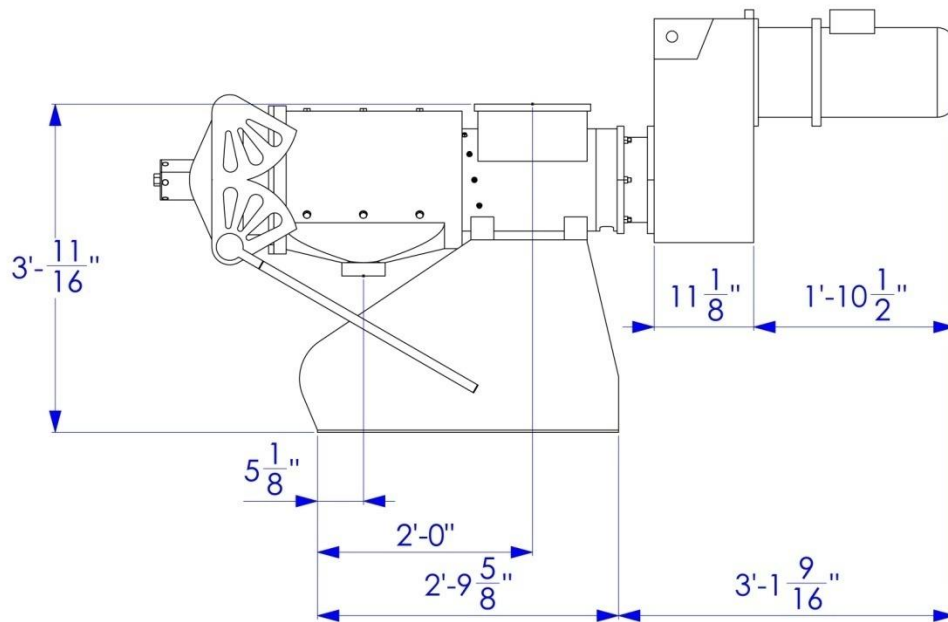
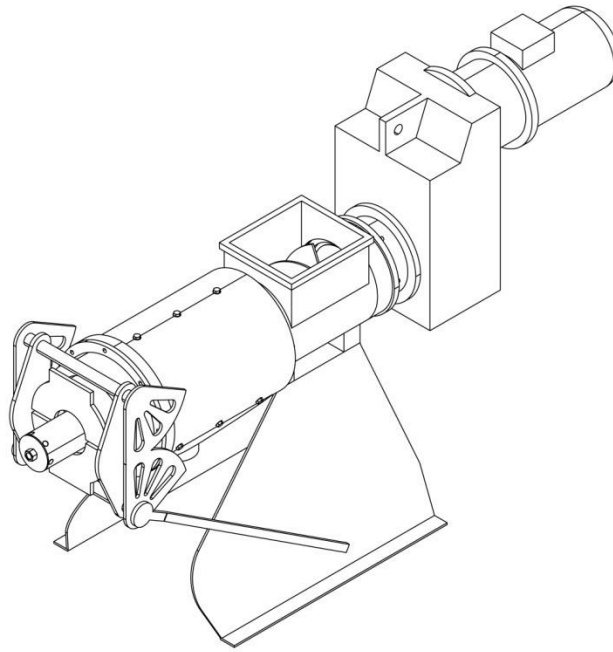
# Screw Press Separator – Seal Assembly



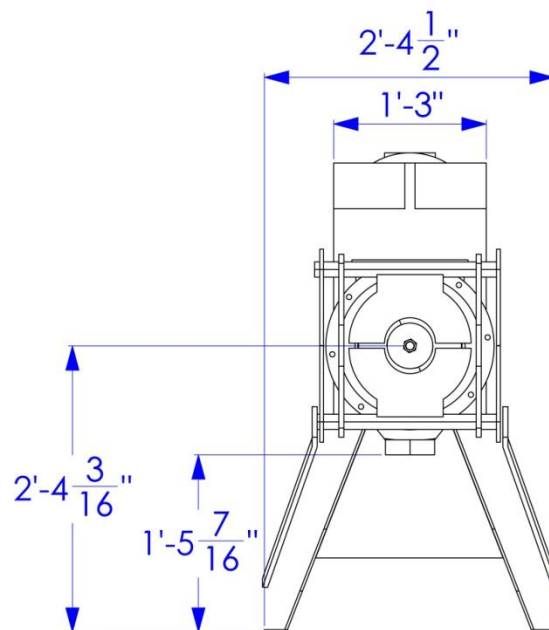
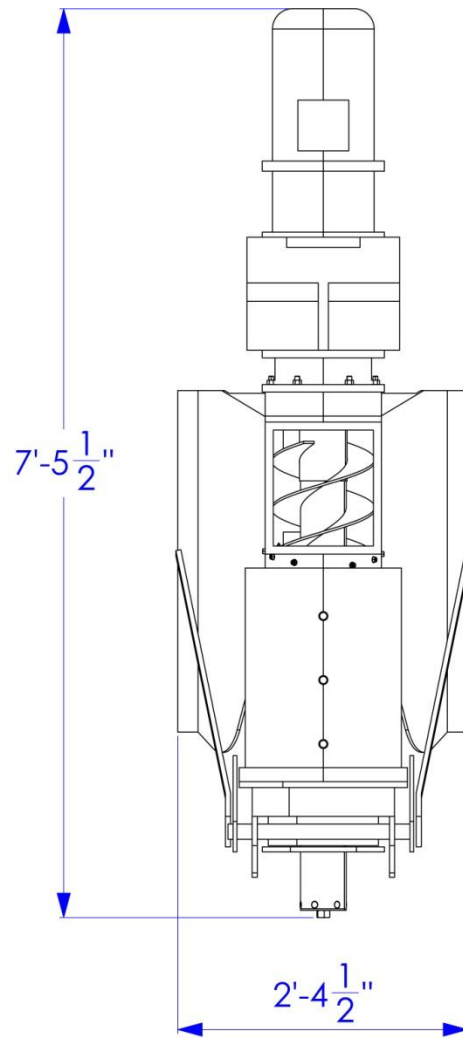
Parts associated with \* next to them are sold as an assembly kit only. Kit includes parts 1-6.

Label	Part #	Description
1	*C726	Gearbox Separation Flange (Sold as Kit Only)
2	Y239	Seal Plate Cover
3	O676	Countersink Allen-Head Bolt
4	O416	Seal - Cut
5	C404	Snap Ring
6	E417	O-Ring
7	Q661	Spacer Plate (HD Models Only)
8	P616	Seal Double Lip

# Screw Press Separator – SP-600HD Overall Dimensions



# Screw Press Separator – SP-600HD Overall Dimensions







---

For Technical Support, to order Replacement Parts, or for questions about other products, please  
contact your local dealer.

---