

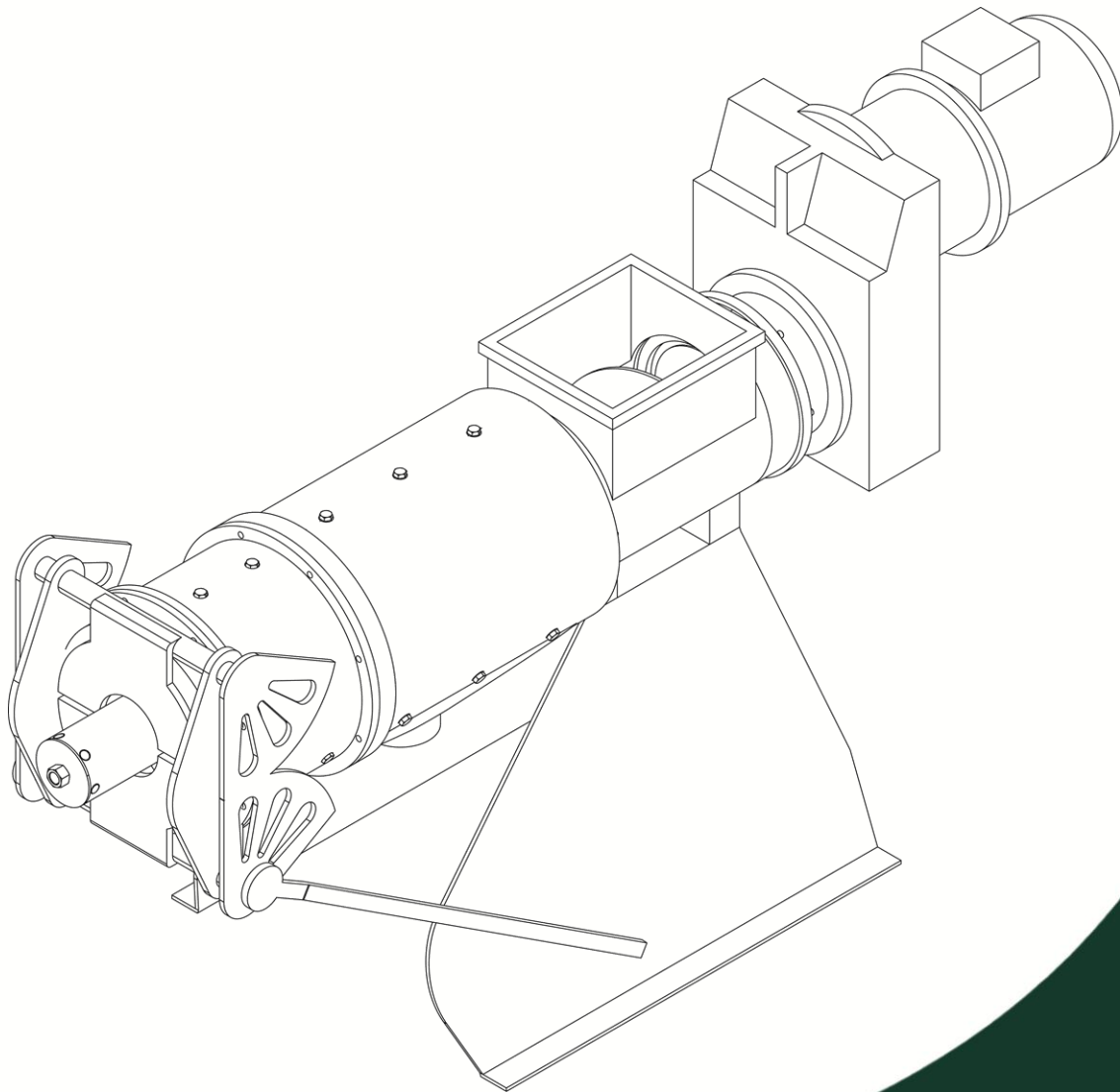


DARITECH^{INC}
Manure Management

Screw Press Separator

SP Series

Part Manual

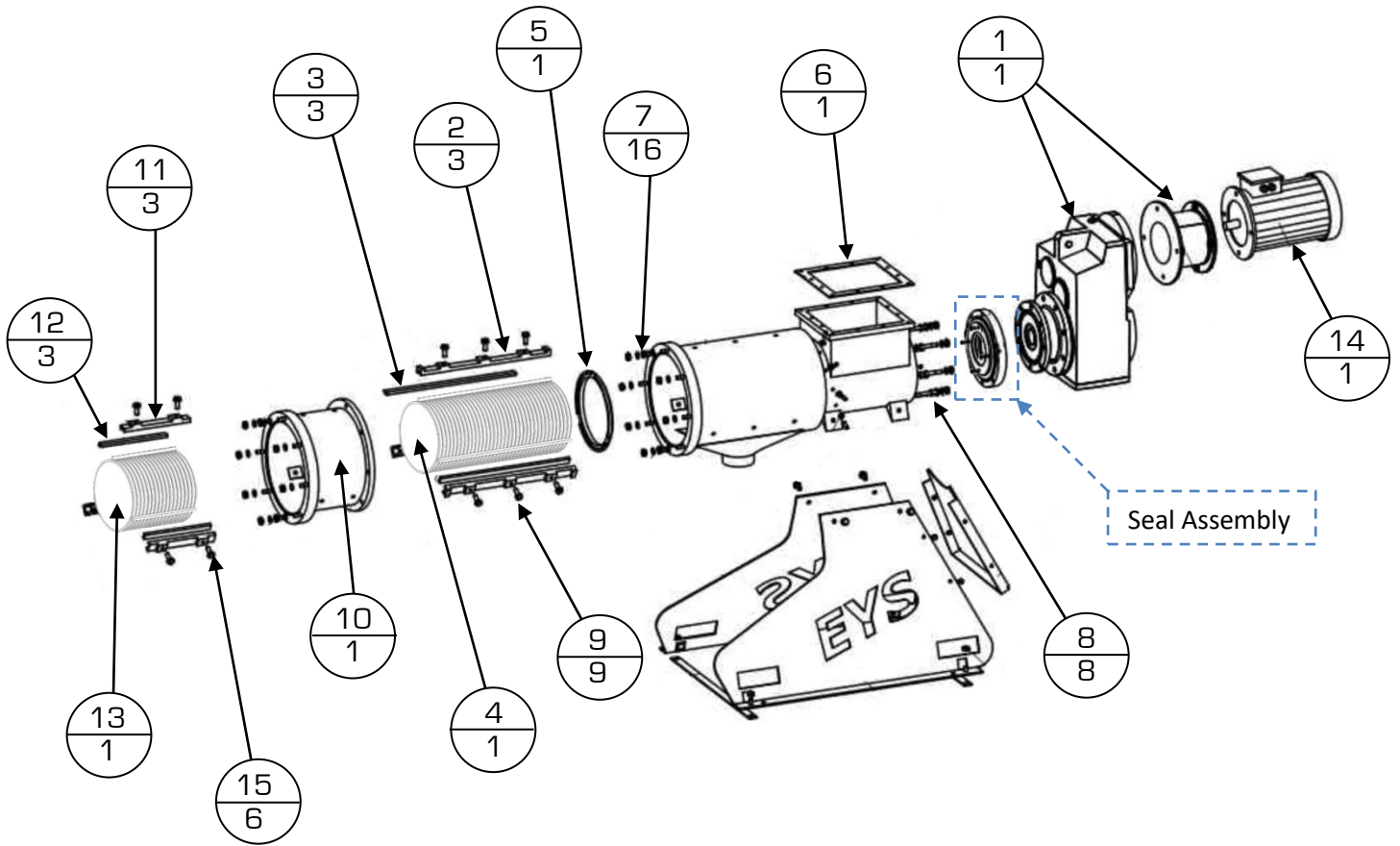


For Model:

SP-800

Revision #	Date	Description
Rev. 0.0		Manual Completion
Rev. 0.1	7/23/2025	Part # Update on Main Assembly page

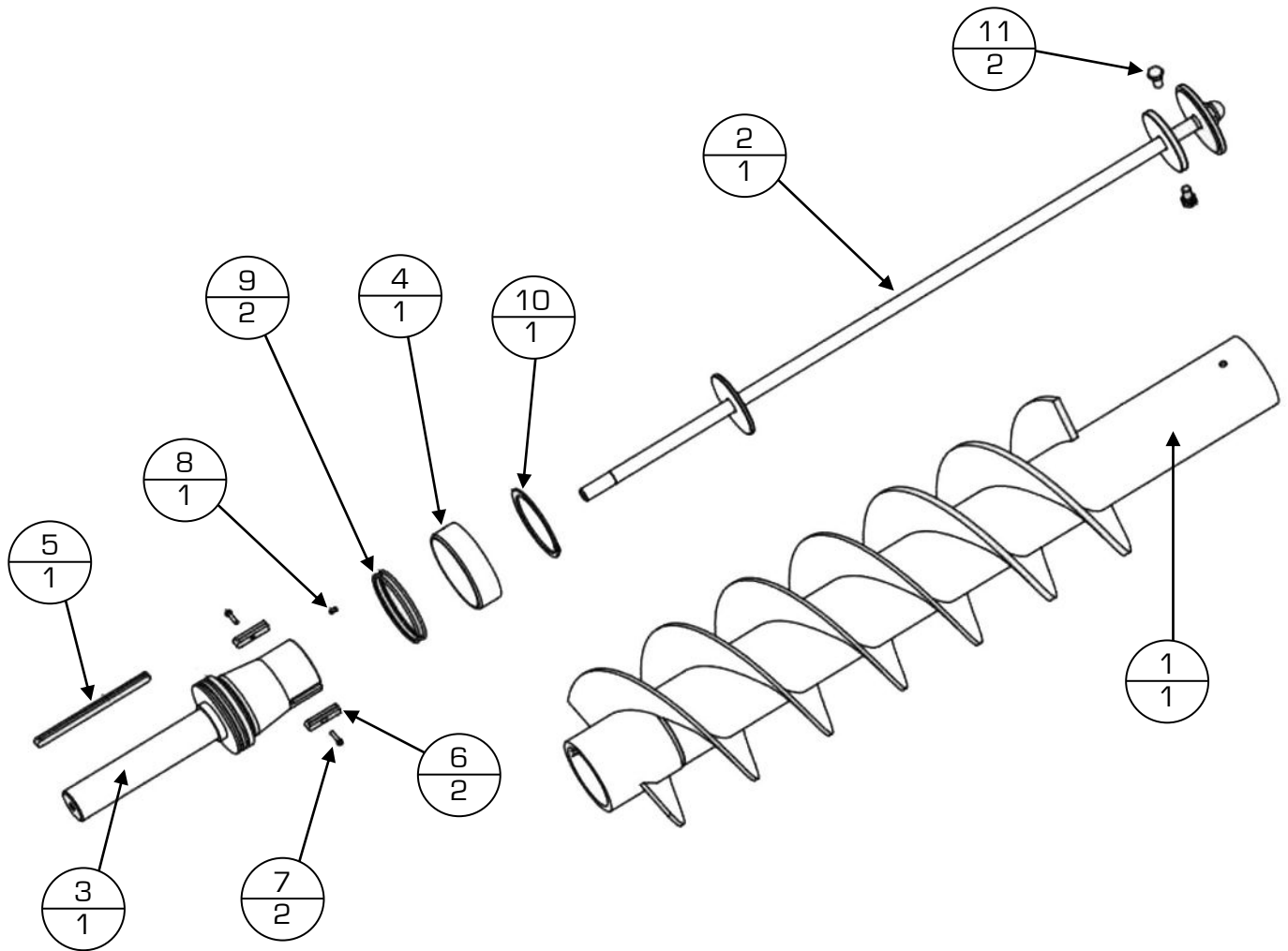
Screw Press SP 800



Label	Part #	Description	Label	Part #	Description
1	R322	Gearbox (PD52 - B5)	8	O890	Gearbox Stud
		IEC Connector (PD52 IEC 132)		E683	Hex Nut
2	N838	Screen Guide Rail		A710	12mm Flat Washer
3	D883	Guide Rail Insert	9	C158	Guide Rail Hex Bolt
4	O435	Standard Screen (0.65mm)		A710	12mm Flat Washer
5	F676	Body Wear Ring	10	Y349	Body Extension
6	D749	Inlet Cover Gasket	11	S471	Extension Guide Rail
7	S106	Head Flange Stud	12	O704	Extension Guide Rail Insert
	E683	Hex Nut	13	O435	Extension Screen (0.65mm)
	A710	Washer	14	N141	5.5 kW Motor (body:132)
15	P838	Rail Bolts For Body Extension			
	A710	12mm Flat Washer			

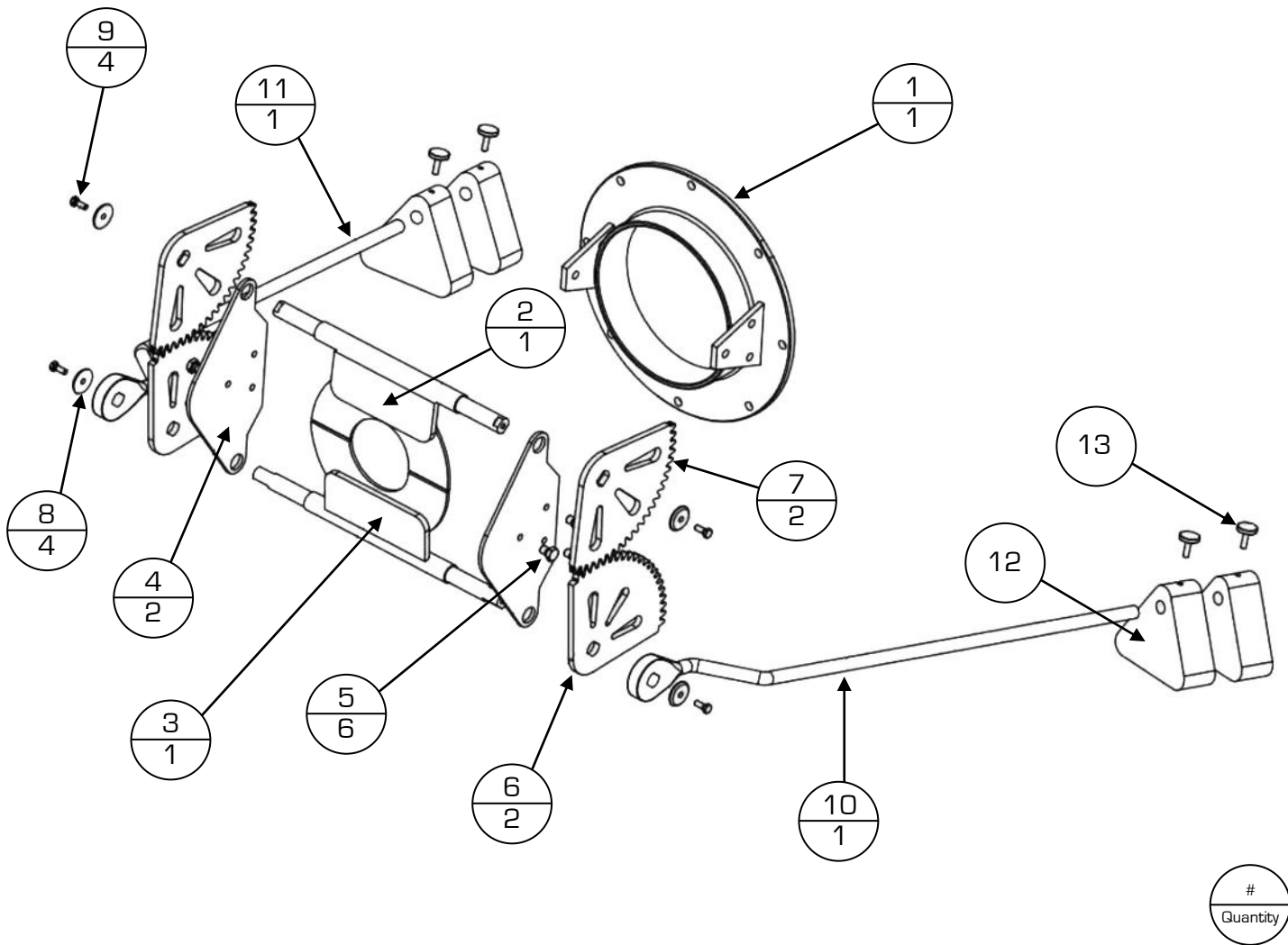
*Items not listed are considered non-common replacement parts and can be custom ordered upon request.

Screw Press SP 800 – Auger Assembly



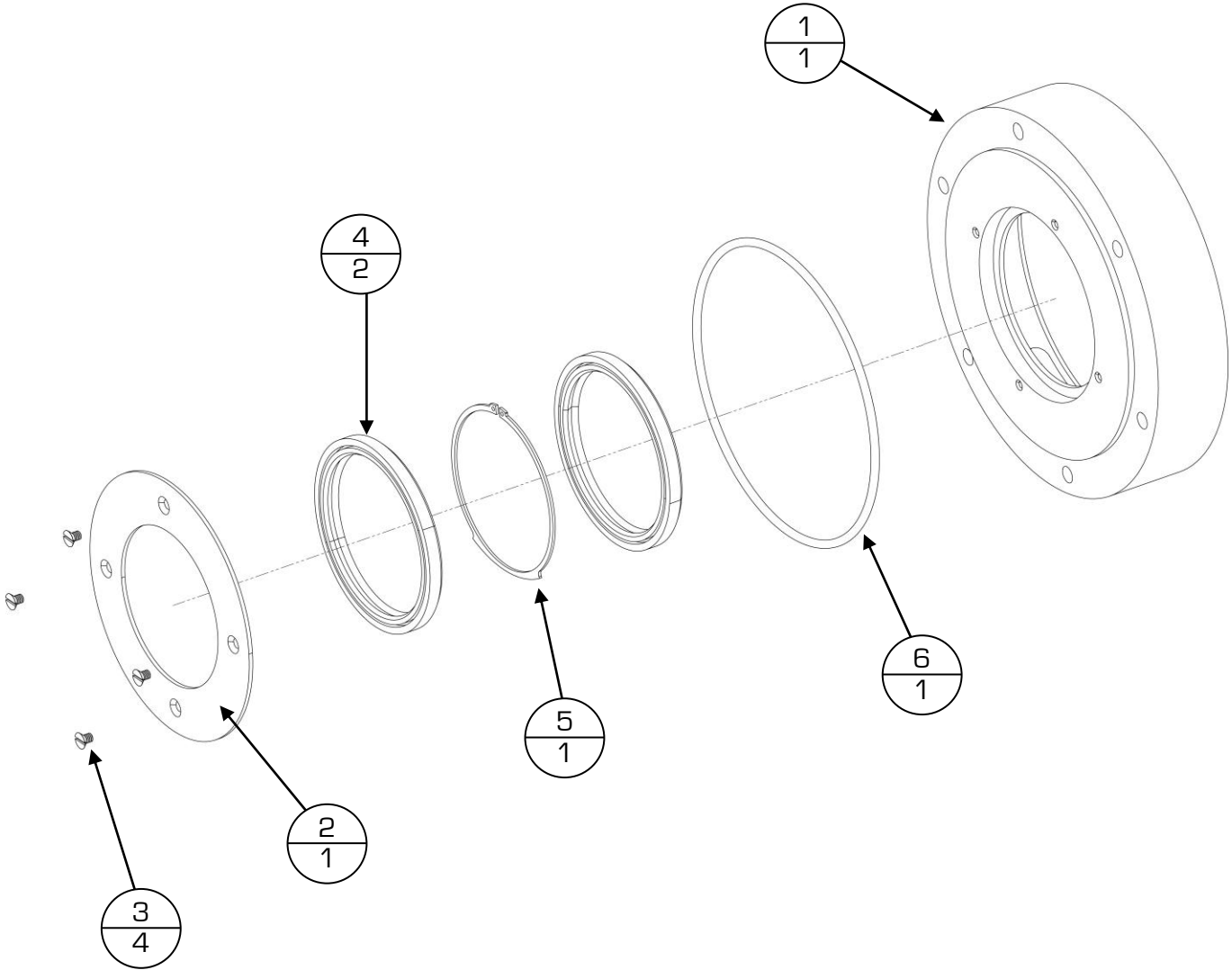
Label	Part #	Description
1	S498	Auger
2	M211	Auger Assembly Rod for SP 800
3	S161	Auger Hub
4	R516	Hub Wear Ring
5	G448	Hub - Gearbox Key
6	Z774	Hub - Auger Key
7	L702	Allen-Head Screw
8	Y531	Pin
9	R443	O-Ring (2x)
10	M834	Snap Ring (093)
11	N719	Dismantling Bolt

Screw Press SP 800 - Discharge Assembly



Label	Part #	Description
1	E142	Mouth Piece
2	A748	Upper Flap
3	O348	Lower Flap
4	U198	Side Plate
5	P838	Hex Bolt
6	F177	Lower Gear
7	R826	Upper Gear
8	J437	Washer
9	U167	SS Hex Bolt 8mm x 20mm
10	E126	Regulation Arm [Right]
11	D519	Regulation Arm [Left]
12	J390	Weights [Quantity Can Vary, Sold As Needed]
13	M717	Weight Positioning Screws [Quantity Can Vary, Sold As Needed]

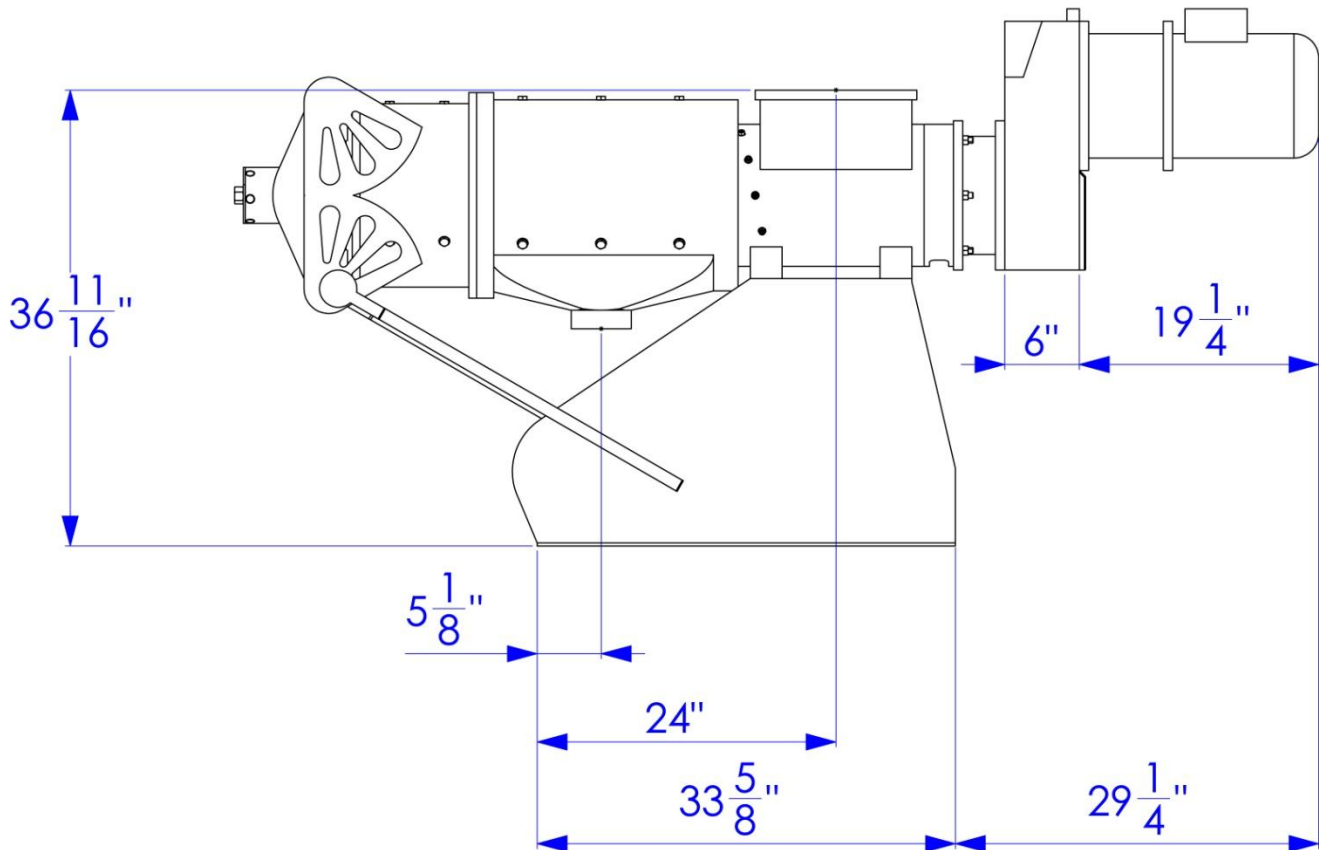
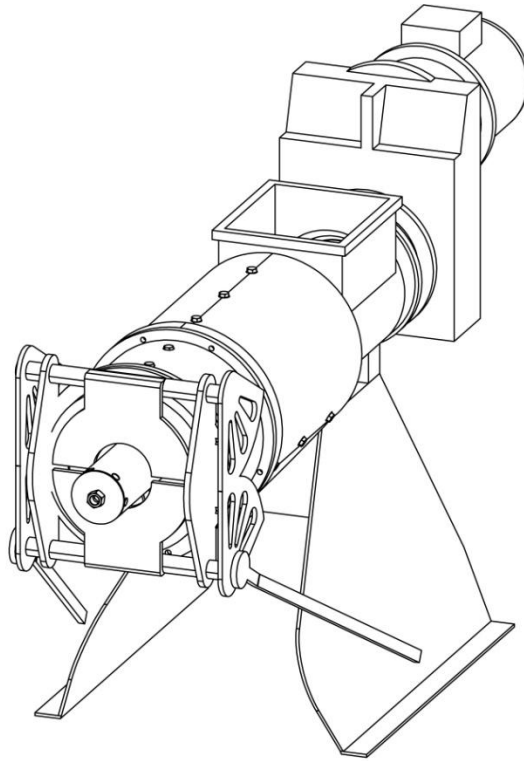
Screw Press Separator – Seal Assembly



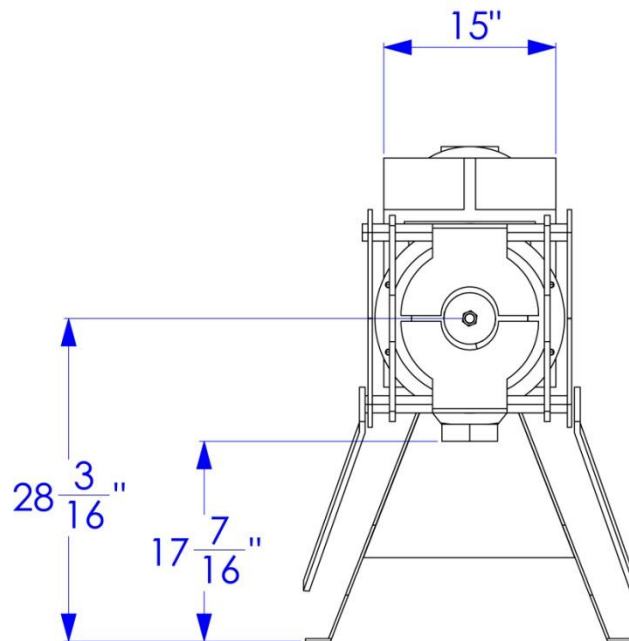
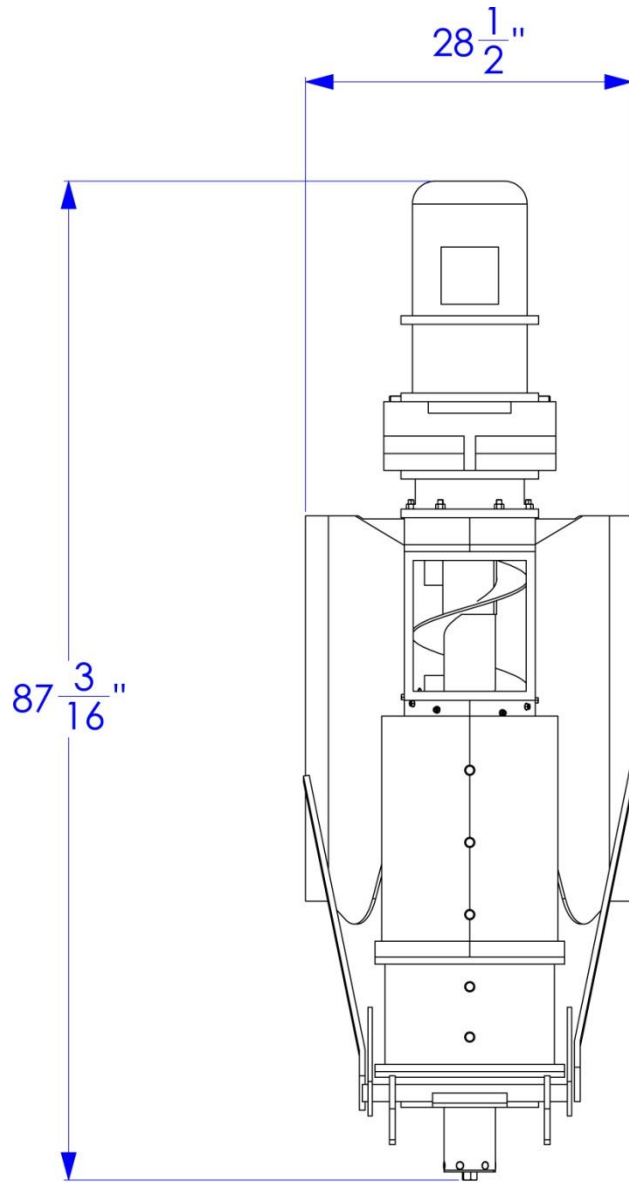
Parts associated with * next to them are sold as an assembly kit only. Kit includes parts 1-6.

Label	Part #	Description
1	*C726	Gearbox Separation Flange (Sold as Kit Only)
2	Y239	Seal Plate Cover
3	O676	Countersink Allen-Head Bolt
4	O416	Seal - Cut
5	C404	Snap Ring
6	E417	O-Ring
7	P616	Seal Double Lip

Screw Press Separator – SP-800 Overall Dimensions



Screw Press Separator – SP-800 Overall Dimensions



For Technical Support, to order Replacement Parts, or for questions about other products, please contact your local dealer.
