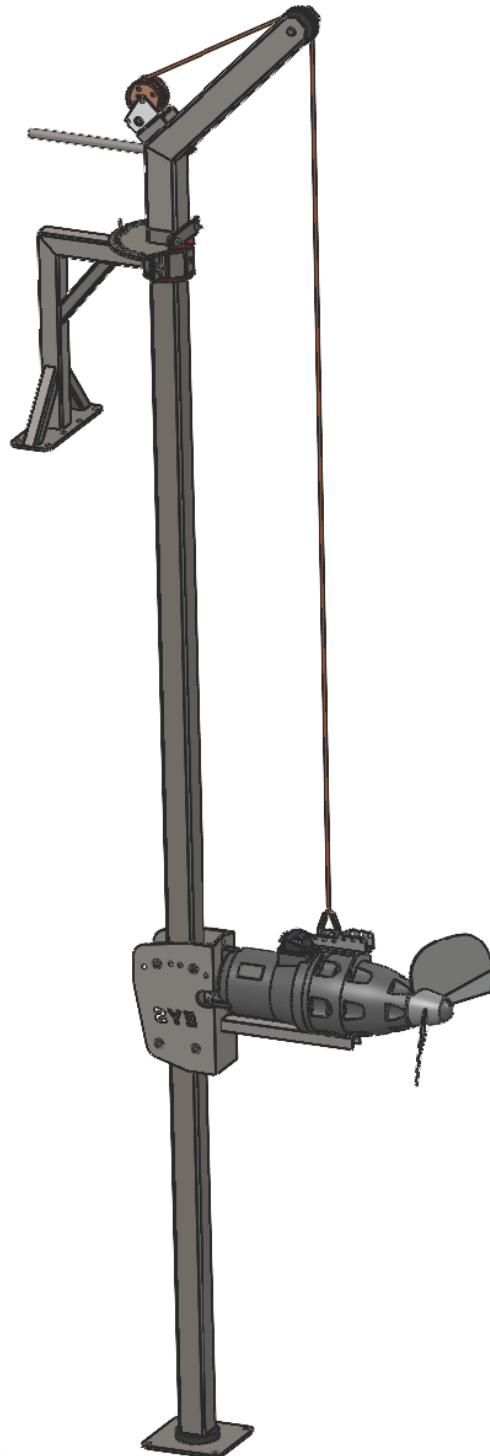




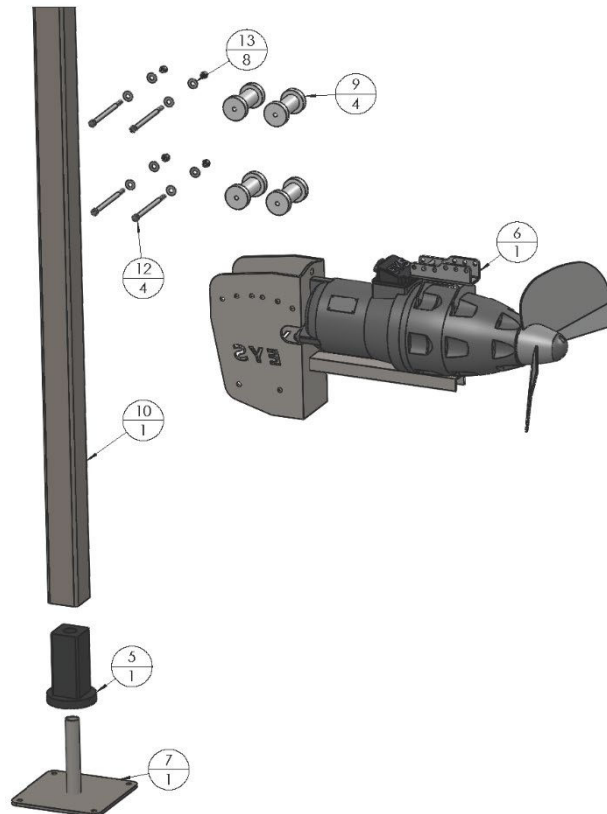
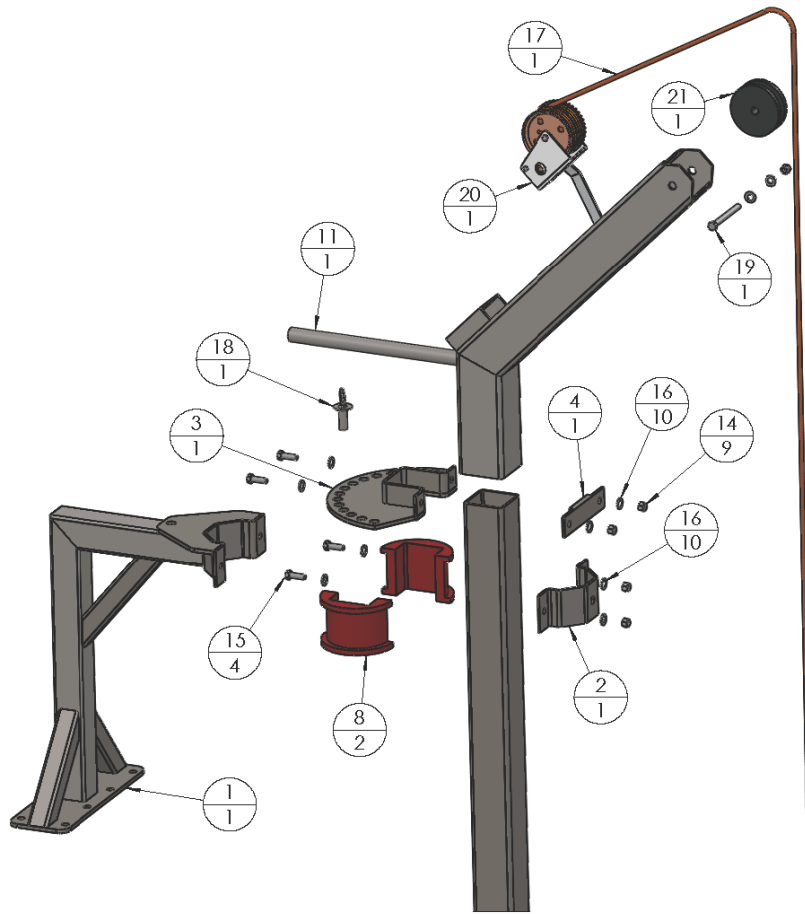
DARITECH^{INC}
Manure Management



For Model:

**EYS Submersible Agitator
Lift System**

EYS Sub-Agi Lift System - Parts ID



EYS Sub-Agi Lift System Parts ID



Label	Part #	Description
1	T986	Sub-Agi LS – Main Support
2	P975	Sub-Agi LS – Bushing Bracket
3	D952	Sub-Agi LS – Pivot Plate
4	Q942	Sub-Agi LS – Pivot Back Plate
5	Q144	EYS Sub. Lift Pole Bottom UHMW Pivot Insert (for 4x4x3/16 Sq Tube)
6	B776	EYS 10HP (DK75) Submersible Agitator
	X579	EYS 15HP (DK11) Submersible Agitator
	E340	EYS 20HP (DK150) Submersible Agitator
	Q328	EYS 25HP (DK185) Submersible Agitator
7	W939	Sub Agi LS – Bottom Post Plate
8	V255	UHMW Pivot Bushings (set)
9	A814	UHMW Carriage Roller
10	P475	4"x4"x3/16" GALV. Square Tube (Specify Length Needed)
11	M953	Sub-Agi LS – Lifting Arm
12	J334	1/2" – 13x8" Zinc Hex Bolt
13	S627	1/2" Zinc Flat Washer
14	L524	1/2" – 13 Zinc Nylock Nut
15	D817	1/2" – 13 X 1-1/2" Zinc Hex Bolt
16	S627	1/2" Zinc Flat Washer
17	Q957	Sub-Agi LS – Lifting Rope
18	T904	Sub-Agi LS – Locking Pin
19	M962	1/2" x 5-1/2" Zinc Hex Bolt
20	D704	2500 LBS Brake Winch
21	WREP	5" Nylon Pullet w/bushing

For Technical Support, to order Replacement Parts, or for questions about other products, please contact your local dealer.
