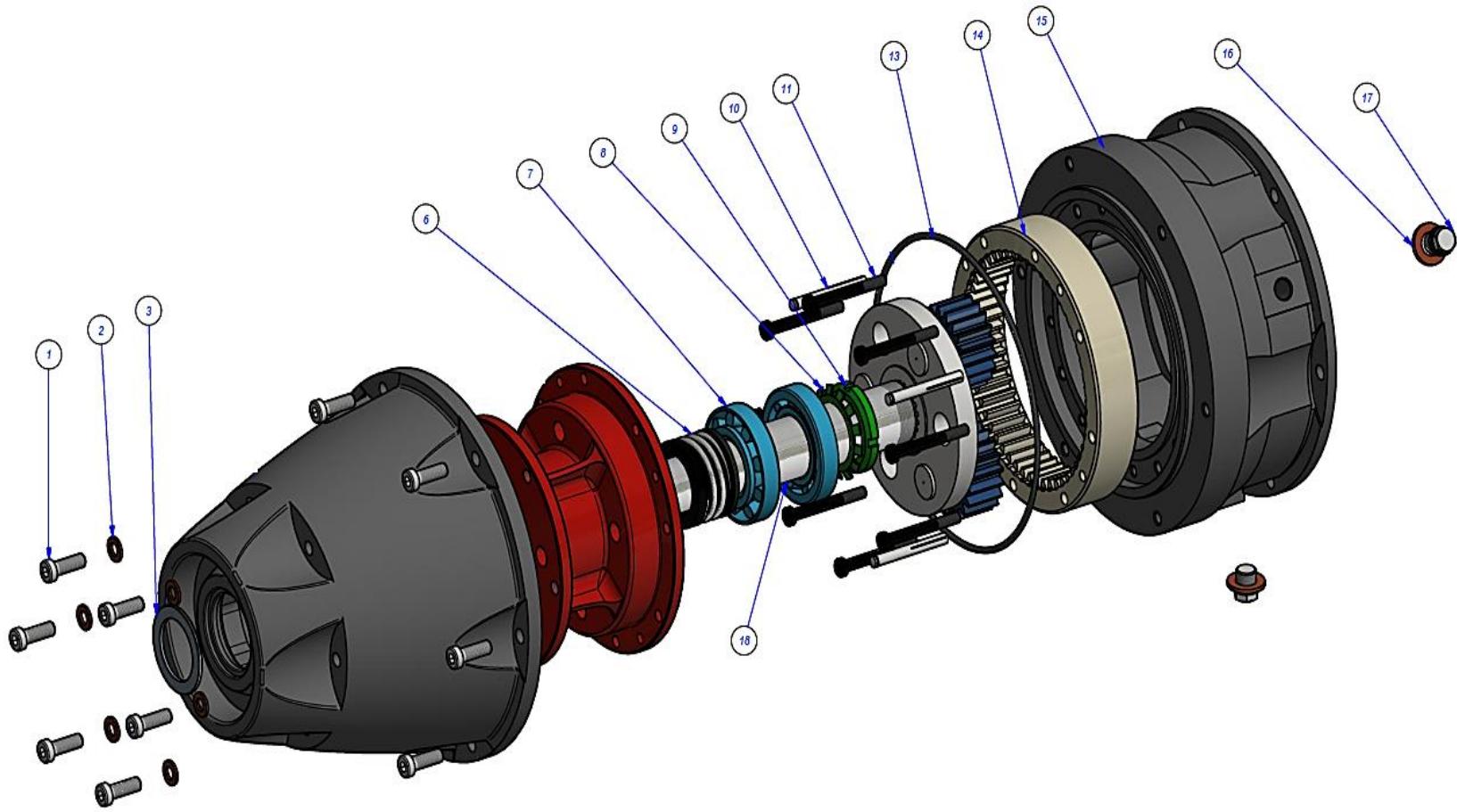
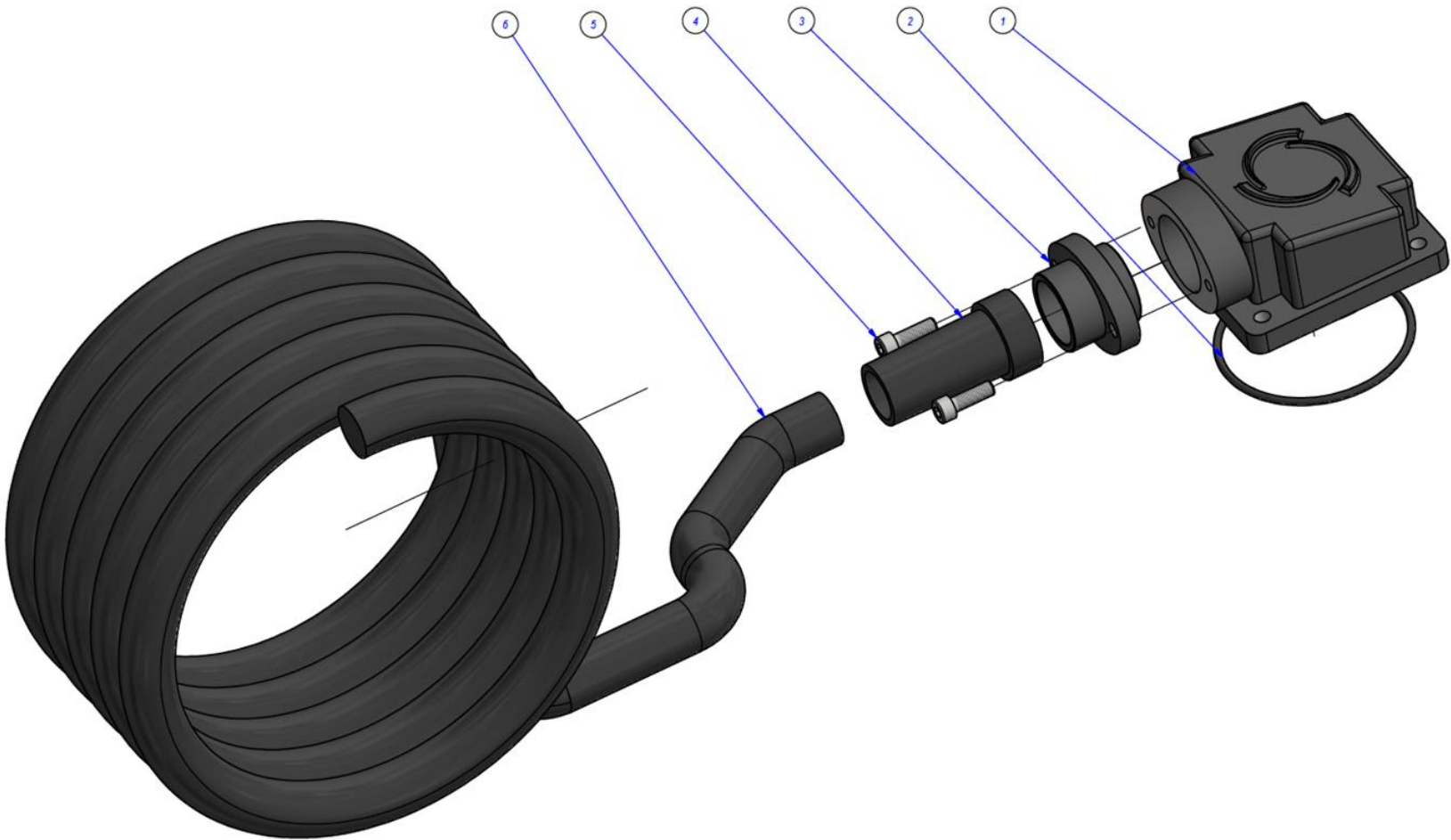


EYS 10-15hp (DK75-DK11) Submersible Agitator
Propeller End Assembly



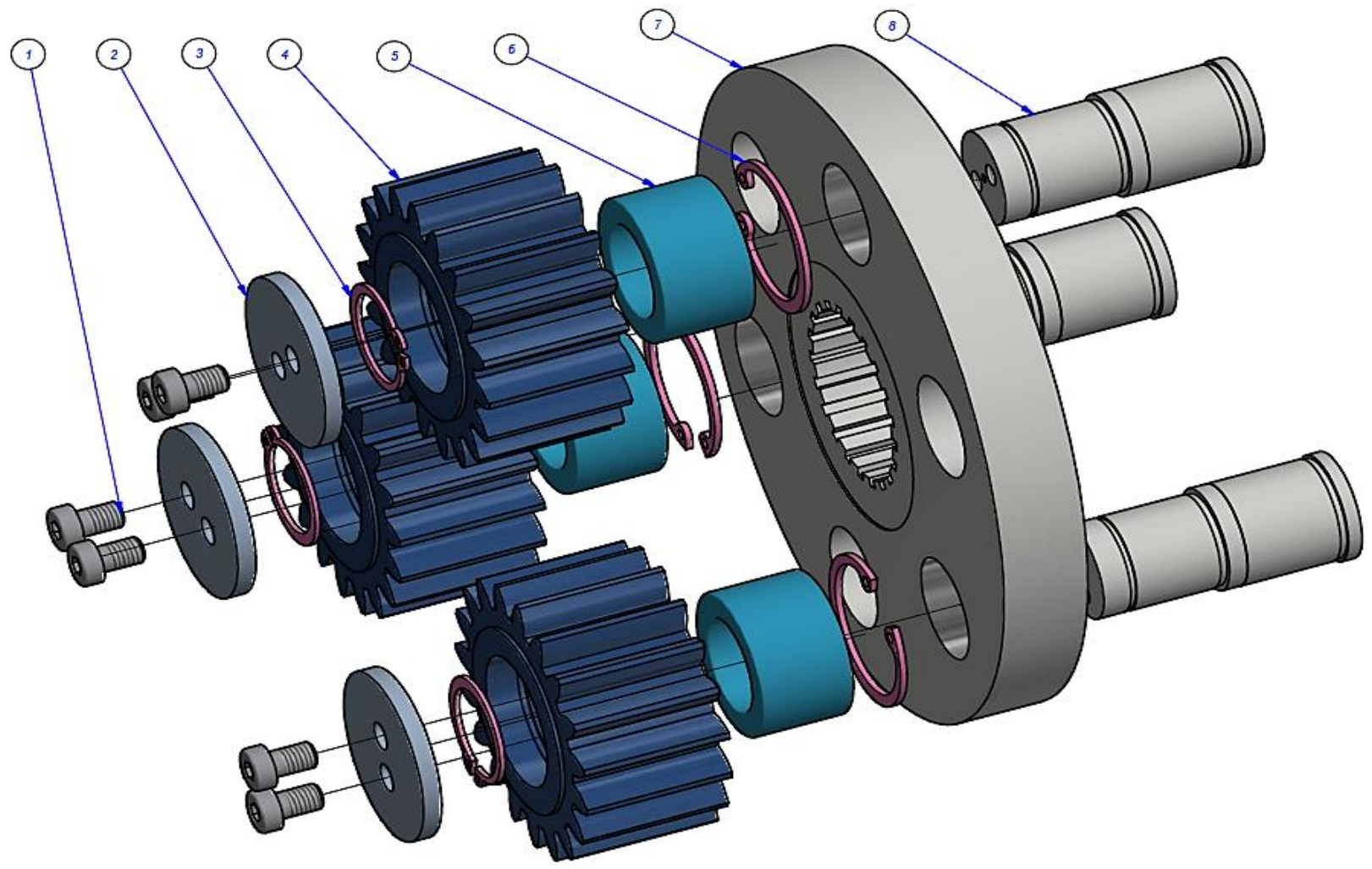
Dwg. #	Item	Description	Qty.
1	T871	M10x30mm SS Socket Head Bolt	12
2	L309	M10 Copper Washer	6
3	W428	V-Ring Nut (DK75-DK11)	1
6	N170	Mechanical Seal (DK75-DK11)	1
7	O220	DK75/DK11 Bearing (30209)	2
8	V588	MB9 DIN5406 Safety Nut	1
9	X239	KM9 Slotted Nut	1
10	O194	8.5x70mm Grooved Pin	4
11	A382	M8 x 70mm Socket Head Bolt	8
13	X461	225x4mm Oring	1
14	W881	Ring Gear (DK75-DK11)	1
15	L388	Oil Chamber (DK75-DK11)	1
16	K772	M16 Copper Washer	2
17	U111	Stopper/Plug M16x1.5mm	2
18	P634	Spindle (DK75-DK11)	1

EYS 10-15hp Submersible Agitator
Cable Assembly



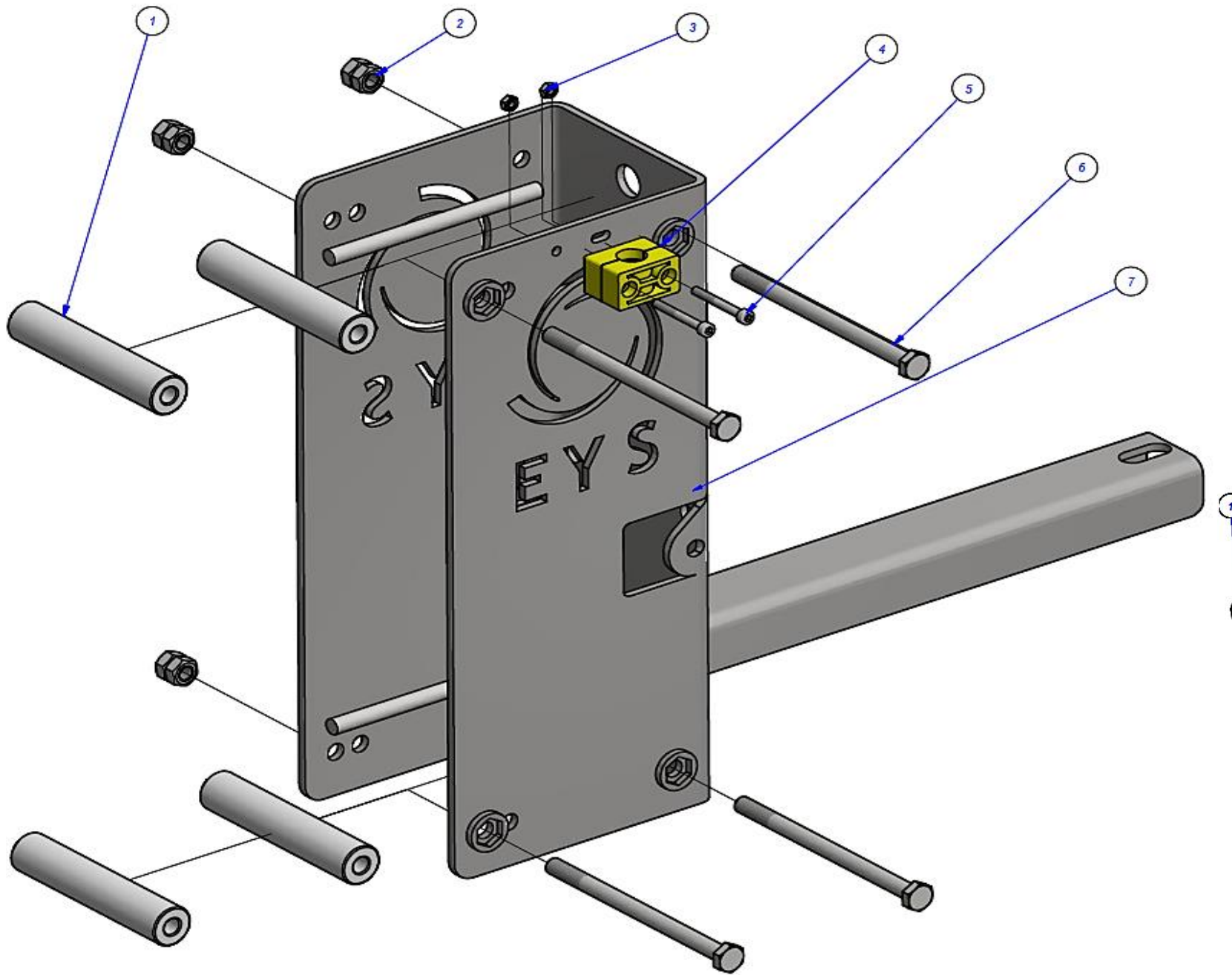
Dwg. #	Item	Description	Qty.
1	B625	Entry Cover	1
2	J507	100x4mm O-Ring	1
3	Q364	Cord Grip for Entry Cover	1
4	V575	Cable Rubber	1
5	C689	M8 x 25mm Socket Head Bolt	2
6	J327	Cord for 10-15HP (EYS Submersibles)	1

EYS 10-15hp (DK75-DK11) Submersible Agitator
Gear Assembly



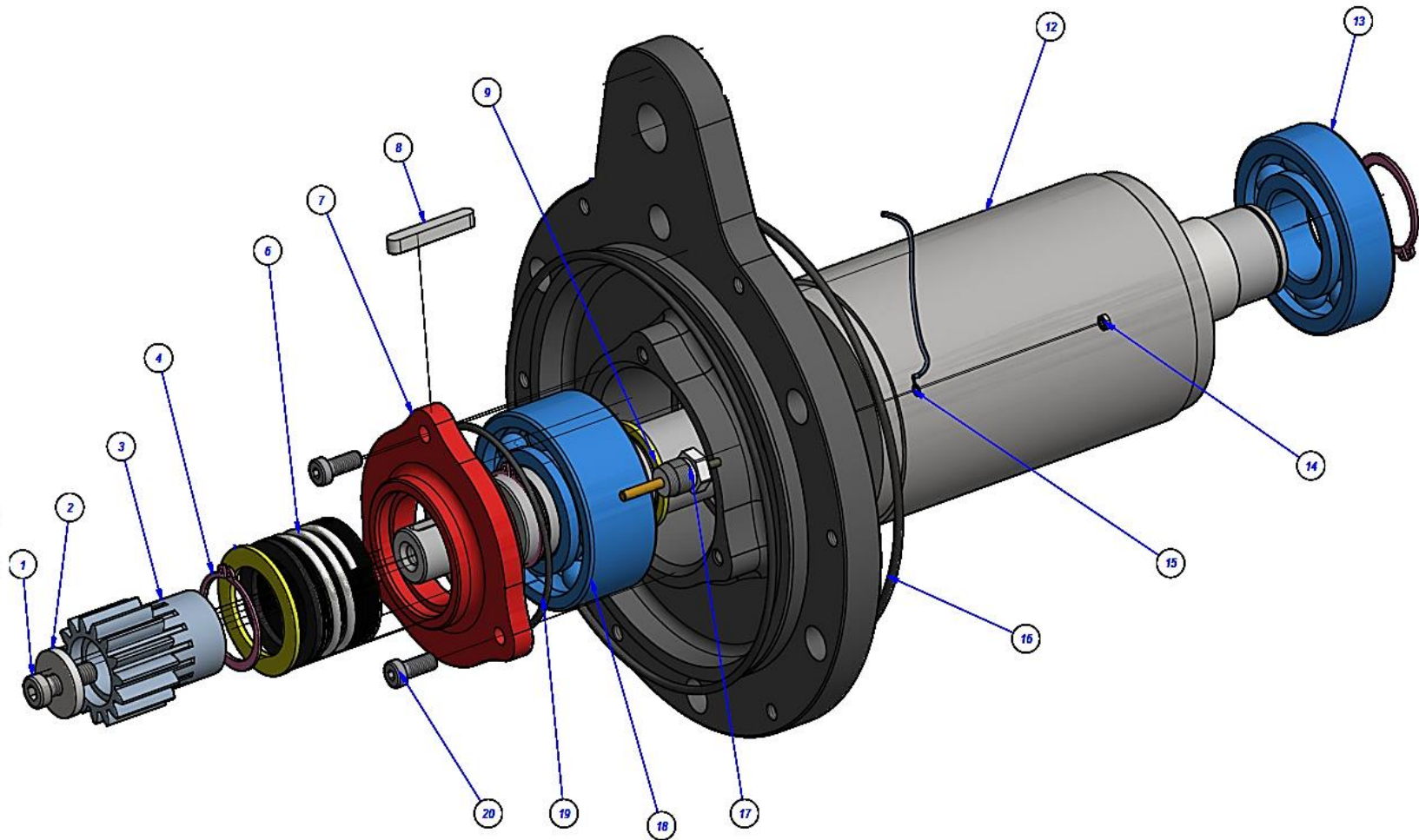
Dwg. #	Item	Description	Qty.
1	J165	M6x10mm Socket Head Bolt	6
2	G557	Planetary Gear Cover (DK75-DK11)	3
3	V517	DIN471 - 22x1.2mm Retaining Ring	3
4	Z406	Planetary Gear (DK75-DK11)	3
5	D629	Transmission Bearing (DK75-DK11)	3
6	R206	DIN472 - 34x1.5mm Retaining Ring	3
7	B505	DK75-DK11 Pin Plate	1
8	K441	Bearing Pin (DK75-DK11)	3

**EYS 10-15hp (DK75-DK11) Submersible Agitator
Pedestal Assembly**



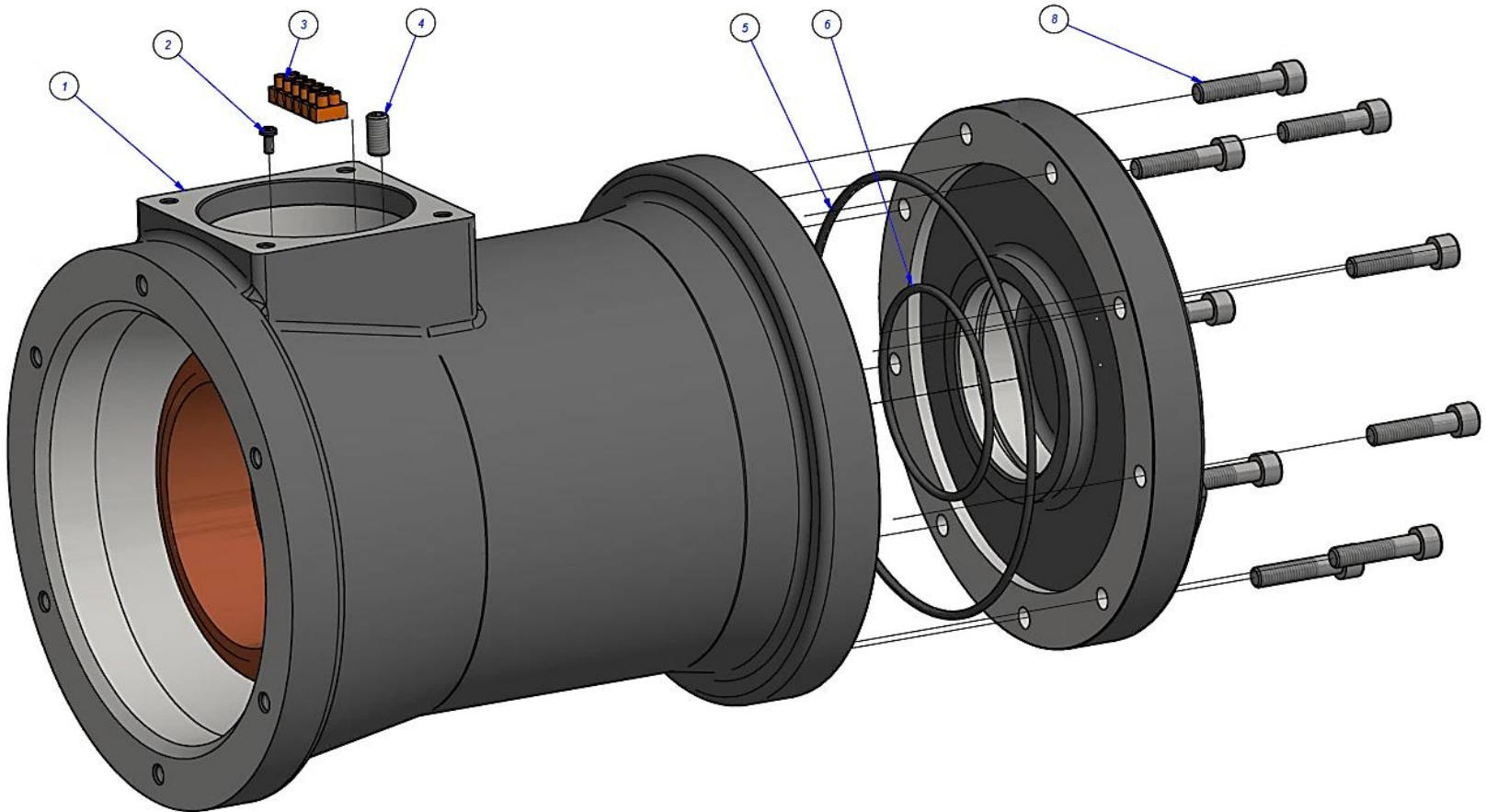
Dwg. #	Item	Description	Qty.
1	A814	EYS Submersible Agitator UHMW Carriage Roller each	4
2	O390	M12 SS Hex Nut	8
3	Z666	M6 SS Nut A2	2
4	R120	Cord Clamp	1
5	S670	M6x50mm SS Socket Head Bolt	2
6	X561	M12-1.75 x 180mm Zinc Hex Cap Screw	4
7	P120	Pedestal Plate (Dk75-DK11)	1

EYS 10hp (DK75) Submersible Agitator
Middle Assembly



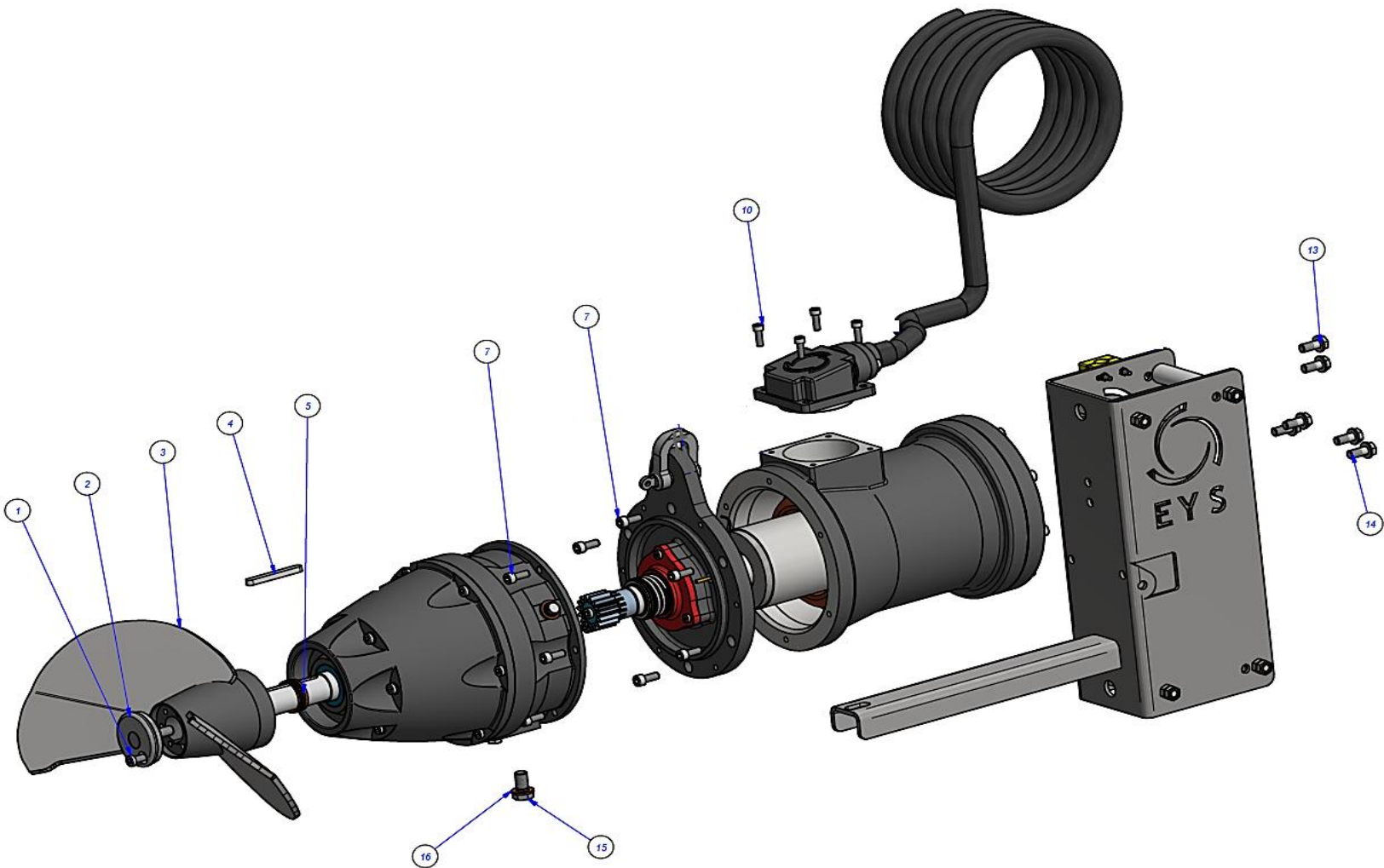
Dwg. #	Item	Description	Qty.
1	T871	M10x30mm SS Socket Head Bolt	1
2	R836	Washer for DK11 Gear	1
3	D874	Gear (DK75-DK11)	1
4	S728	DIN 471 45mm External Retaining Ring	3
5	N170	Mechanical Seal (DK75-DK11)	1
7	R723	Bearing Cover (DK75-DK11)	1
8	V637	8x7x50mm Shaft Key	1
9	U586	Bearing Shim	1
13	G908	6309 Bearing	1
14	T663	M4 SS Hex Nut	1
15	O758	Fiber Optic Cable for Electrode (30cm)	1
16	Q688	215x4mm Oring	2
17	E662	Electrode	1
18	J533	Dbl. Row Ball Bearing	1
19	Y438	100x3mm Oring	1
20	A337	M8 x 20mm Socket Head Bolt	3

EYS 10hp (DK75) Submersible Agitator
Motor Body Assembly



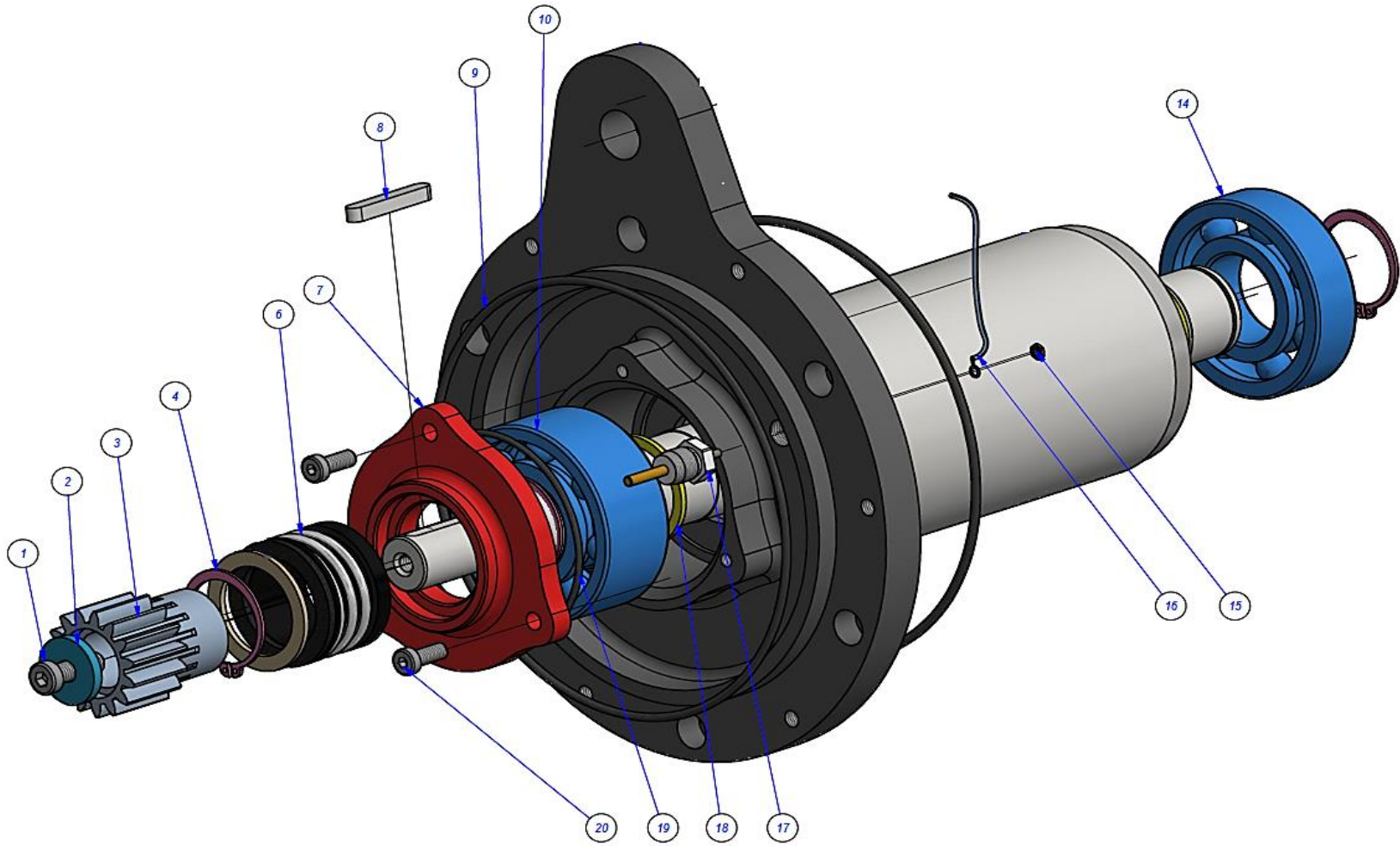
Dwg. #	Item	Description	Qty.
1	N188	DK75 Body w/ Stator	1
2	N331	M4x10mm Torx Head Screw	1
3	J765	Terminal Block (DK75-DK11)	1
4	K112	M10 x 12mm Zinc Set Screw	1
5	Q688	215x4mm Oring	1
6	J507	100x4mm O-Ring	1
8	O835	M10x45mm SS Socket Head Bolt	9

EYS 10hp (DK75) Submersible Agitator



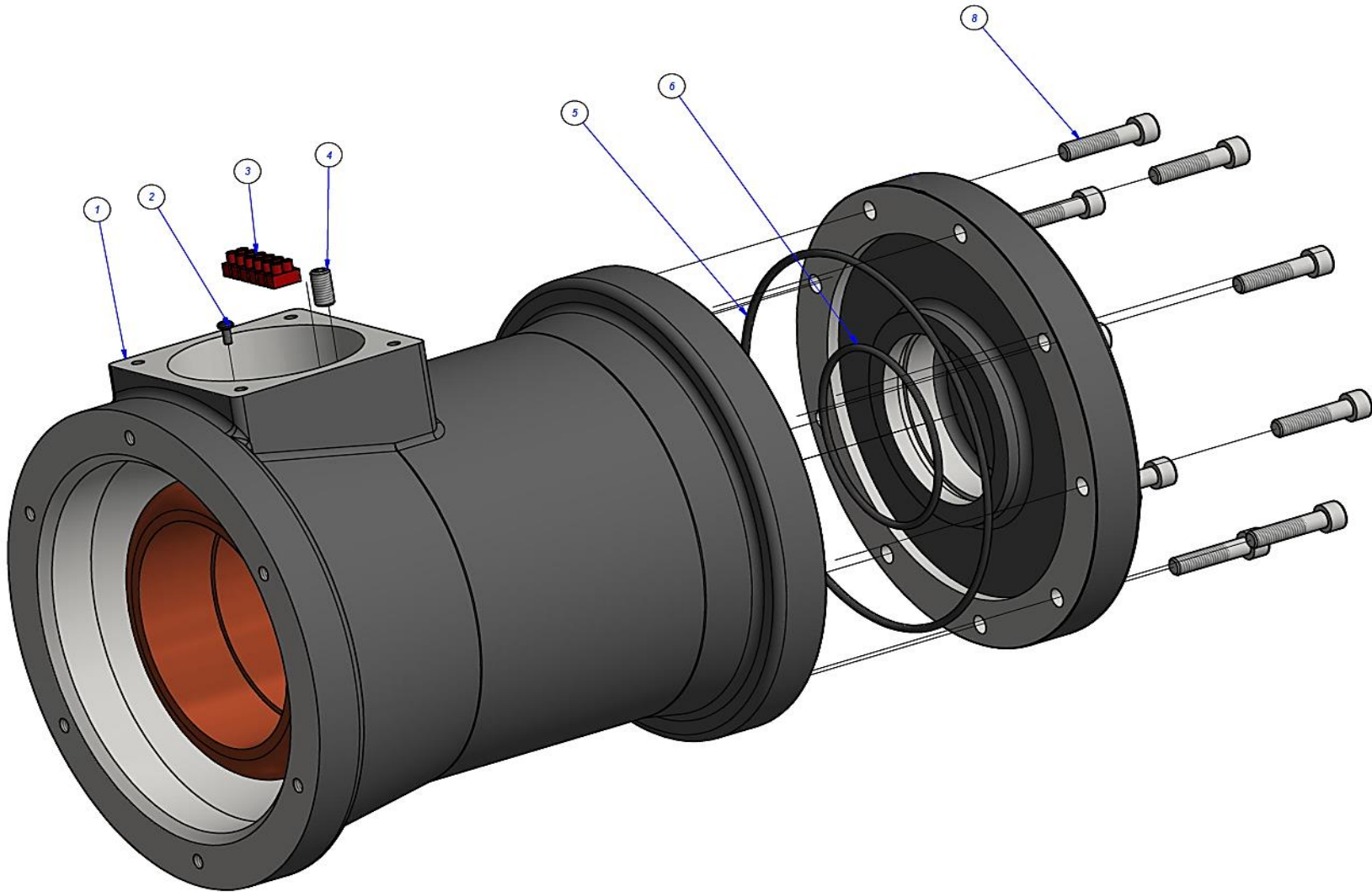
Dwg. #	Item	Description	Qty.
1	P493	M10x20mm SS Socket Head Bolt	1
2	A491	Propeller Cap (DK75-DK11)	1
3	R136	Propeller for 10HP EYS Agitator	1
4	U846	12x8x100mm Propeller Key	1
5	Y722	V-Ring for DK75-DK11 Agitator	2
7	R428	M10x25mm SS Socket Head Bolt	12
10	D730	M8x25mm SS Socket Head Bolt	4
13	T321	M12 SS Flat Washer	6
14	O162	M12x30mm S/S Hex Bolt	6
15	U176	M16x30mm SS Hex Bolt	1
16	Q140	M16 SS Flat Washer	1

**EYS 15hp (DK11) Submersible Agitator
Middle Assembly**



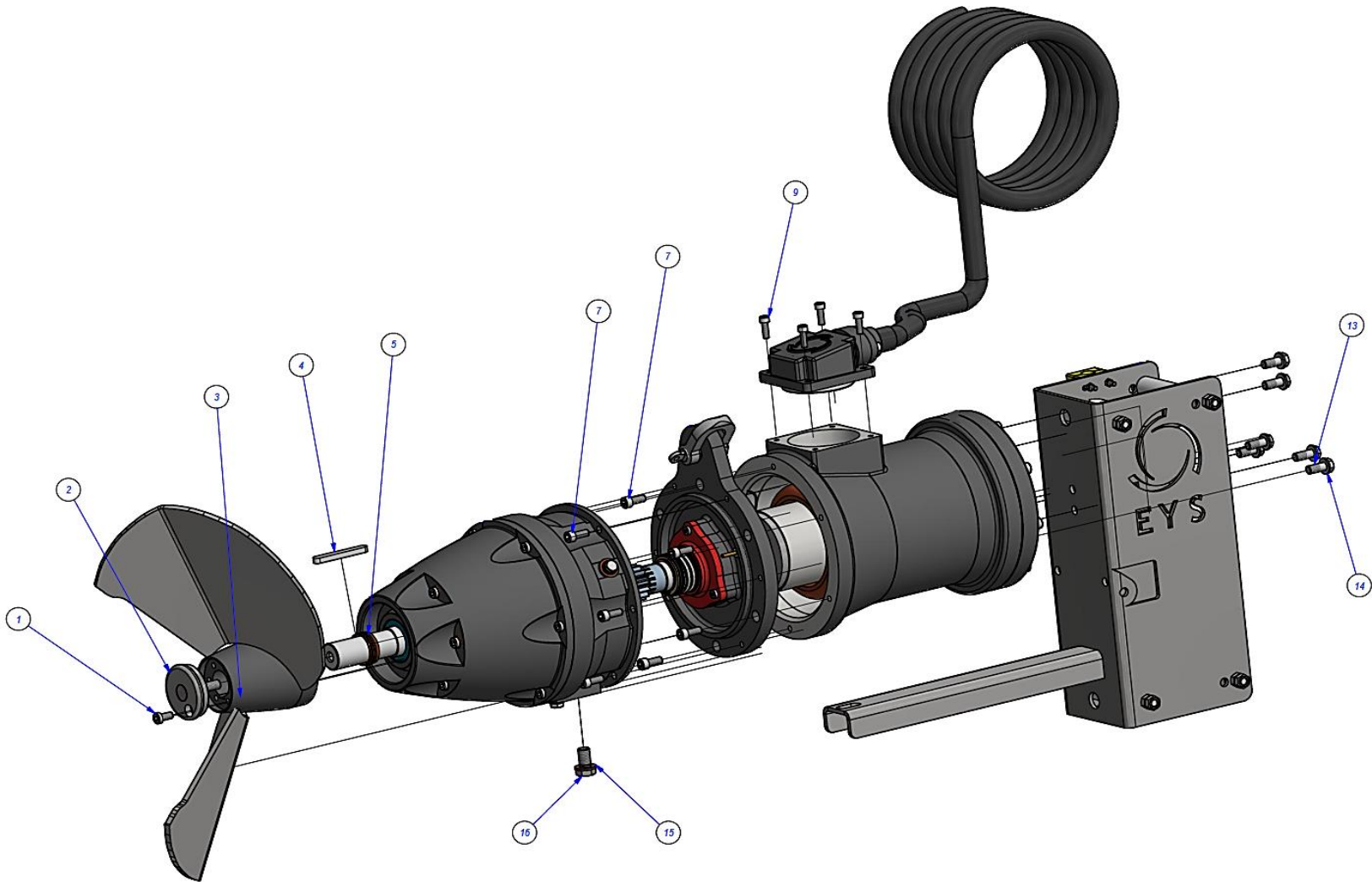
Dwg. #	Item	Description	Qty.
1	T871	M10x30mm SS Socket Head Bolt	1
2	R836	Washer for DK11 Gear	1
3	D874	Gear (DK75-DK11)	1
4	S728	DIN 471 45mm External Retaining Ring	3
6	N170	Mechanical Seal (DK75-DK11)	1
7	R723	Bearing Cover (DK75-DK11)	1
8	V637	8x7x50mm Shaft Key	1
9	Q688	215x4mm Oring	2
10	J533	Dbl. Row Ball Bearing	1
14	G908	6309 Bearing	1
15	T663	M4 SS Hex Nut	1
16	O758	Fiber Optic Cable for Electrode (30cm)	1
17	E662	Electrode	1
18	U586	Bearing Shim	2
19	Y438	100x3mm Oring	1
20	A337	M8 x 20mm Socket Head Bolt	3

EYS 15hp (DK11) Submersible Agitator
Motor Body Assembly



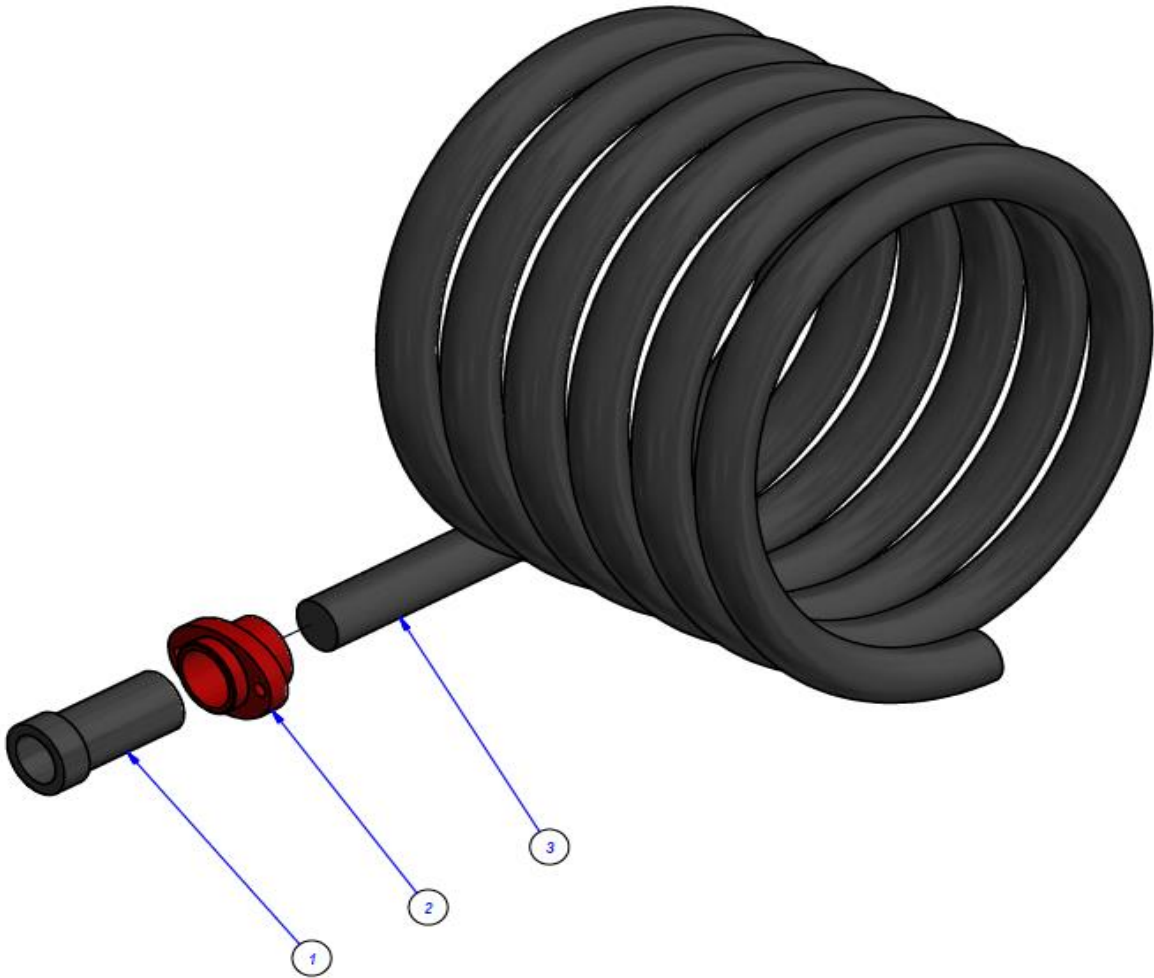
Dwg. #	Item	Description	Qty.
1	S681	DK11 Body w/ Stator	1
2	N331	m4x10mm Torx Head Screw	1
3	J765	Terminal Block (DK75-DK11)	1
4	K112	M10 x 12mm Zinc Set Screw	1
5	Q688	215x4mm Oring	1
6	J507	100x4mm O-Ring	1
8	O835	M10x45mm SS Socket Head Bolt	9

EYS 15hp (DK11) Submersible Agitator



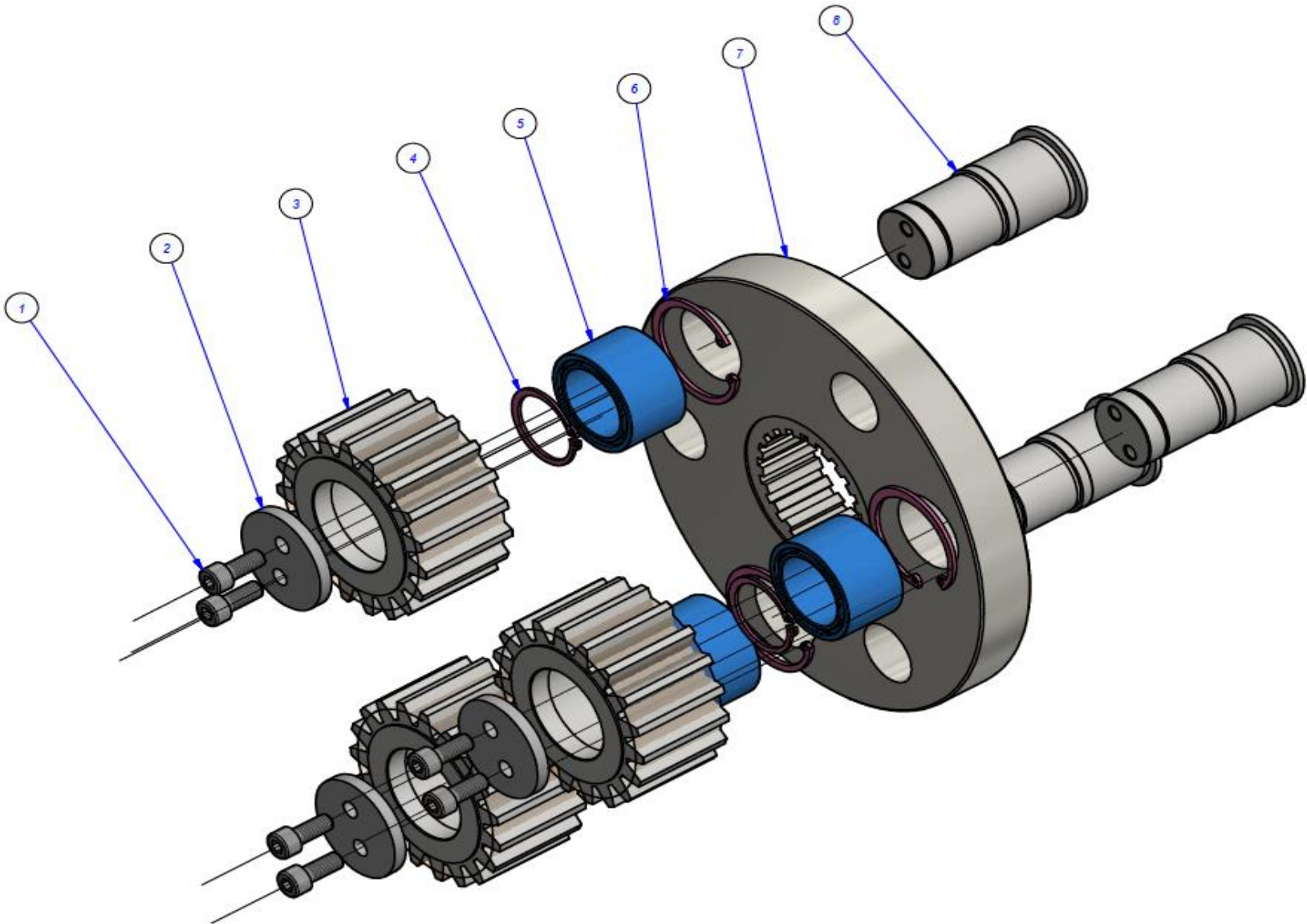
Dwg. #	Item	Description	Qty.
1	P493	M10x20mm SS Socket Head Bolt	1
2	A491	Propeller Cap (DK75-DK11)	1
3	O646	Propeller for 15HP EYS Agitator	1
4	U846	12x8x100mm Propeller Key	1
5	Y722	V-Ring for DK75-DK11 Agitator	2
7	R428	M10x25mm SS Socket Head Bolt	12
9	D730	M8x25mm SS Socket Head Bolt	4
13	T321	M12 SS Flat Washer	6
14	O162	M12x30mm S/S Hex Bolt	6
15	Q140	M16 SS Flat Washer	1
16	U176	M16x30mm SS Hex Bolt	1

EYS 20-25hp (DK15-DK185) Submersible Agitator
Cable Assembly



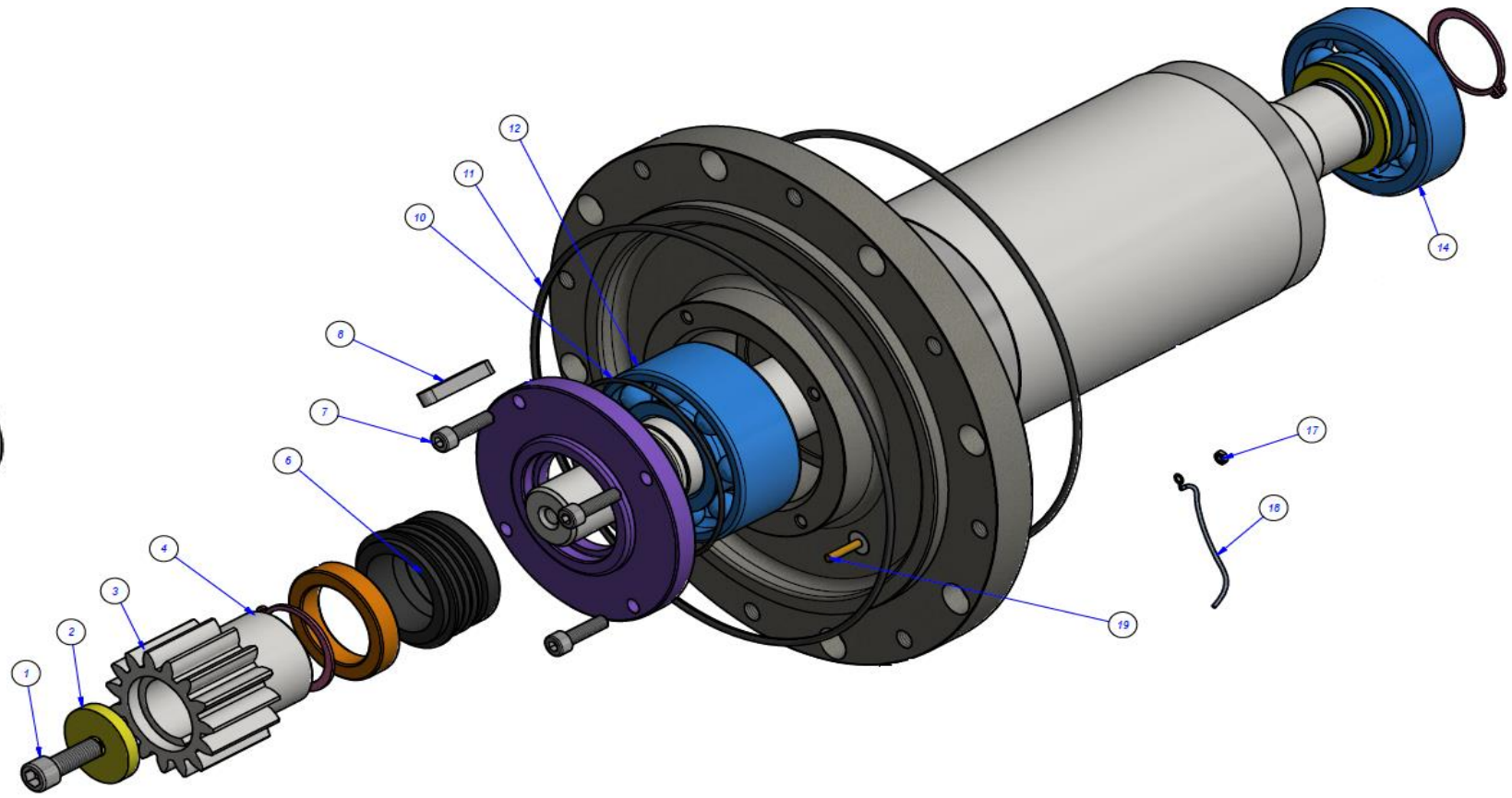
Dwg. #	Item	Description	Qty.
1	Y163	Rubber Cable Holder	1
2	R244	Cable Insert Clamp (DK15-DK185)	1
3	C554	Cord for 20-25HP (EYS Submersibles)	1

EYS 20-25hp (DK15-DK185) Submersible Agitator
Gear Assembly



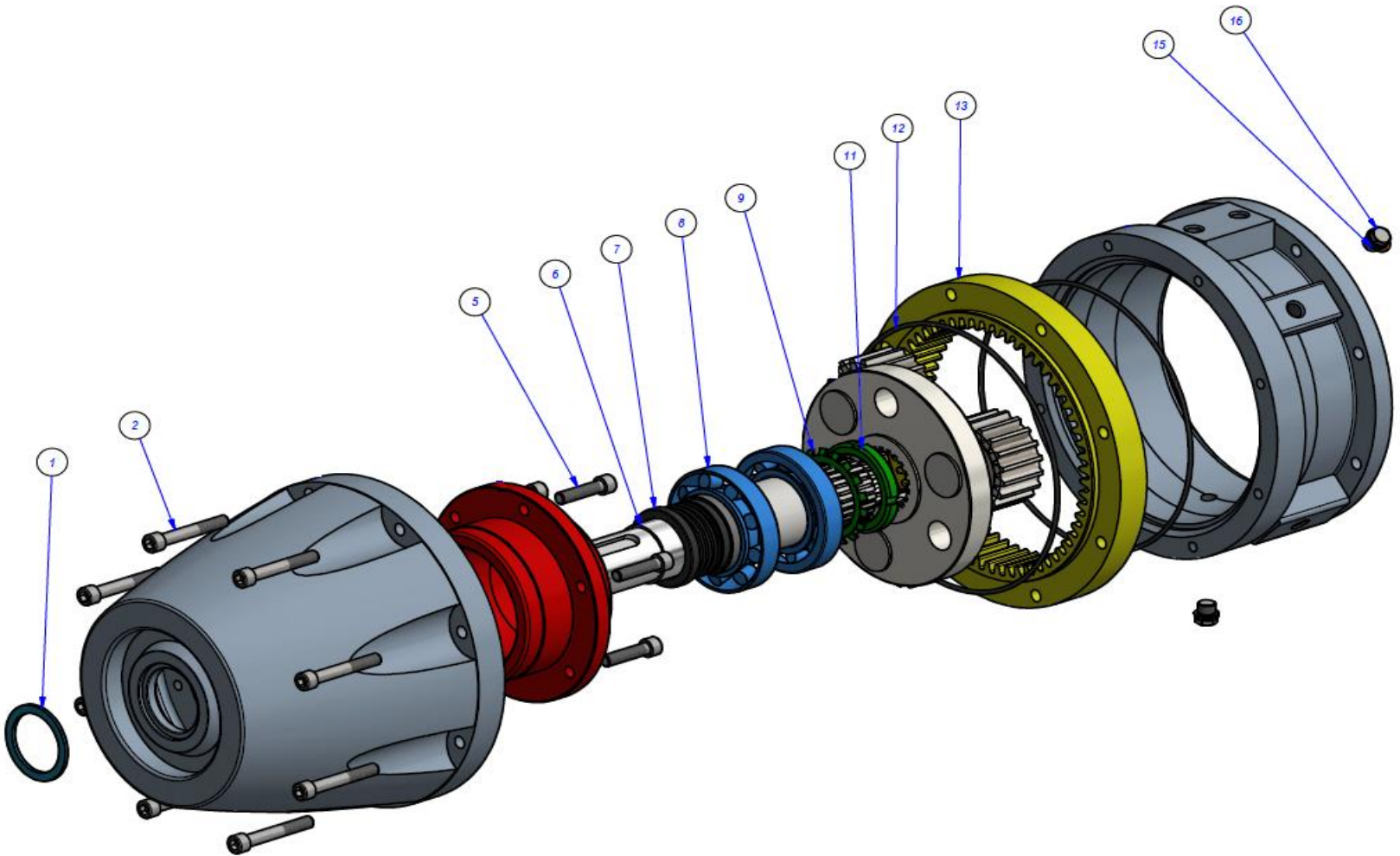
Dwg. #	Item	Description	Qty.
1	E791	M8 x 20mm SS Socket Head Bolt	6
2	V110	Gear Cap (DK1-DK185)	3
3	R279	Planetary Gear (DK15-DK185)	3
4	W462	DIN471 35mm External Retaining Ring	3
5	O267	Transmission Bearing (DK15-DK185)	3
6	C698	DIN472 50mm Internal Retaining Ring	3
7	W245	DK15-DK185 Pin Plate	1
8	K737	Bearing Pin (DK15-DK185)	3

EYS 20-25hp (DK15-DK185) Submersible Agitator
Middle Assembly



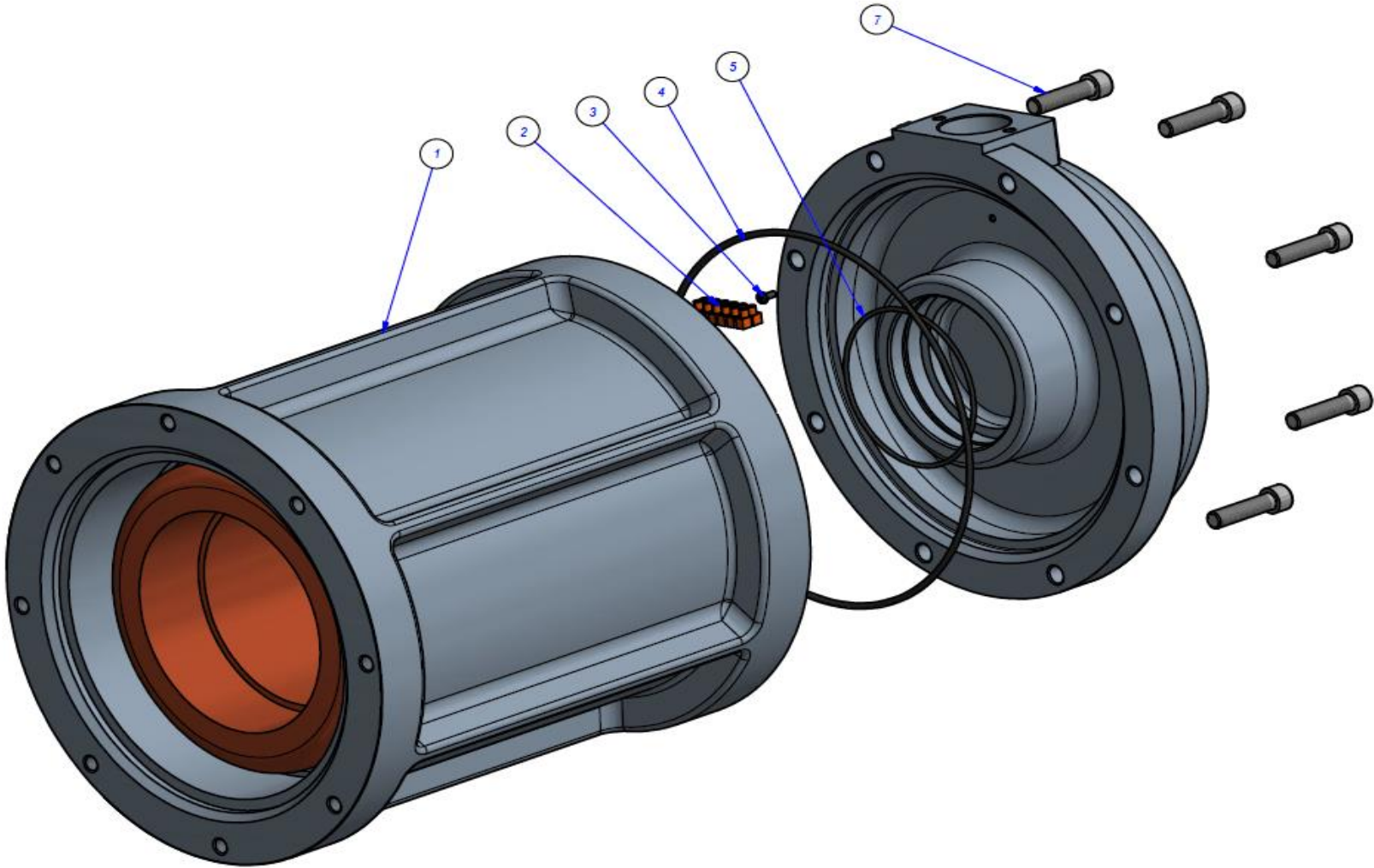
Dwg. #	Item	Description	Qty.
1	N726	M12x35mm SS Socket Head Bolt	1
2	O599	Shaft End Cap for DK185	1
3	Q778	Gear (DK15-DK185)	1
4	B218	DIN471/50 Snap Ring	3
6	T622	Mechanical Seal for (DK15-DK185)	1
7	W127	M8x30mm SS Socket Head Bolt	4
8	R585	10x8x50mm Shaft Key	1
9	F781	Bearing Cover (DK15-DK185)	1
10	Z633	110x2.62mm Oring	1
11	D787	260x4mm Oring	2
12	Z828	3310 Bearing	1
14	S885	Ball Bearing 6310	1
17	T663	M4 SS Hex Nut	1
18	O758	Fiber Optic Cable for Electrode (30cm)	1
19	E662	Electrode	1

EYS 20-25hp (DK15-DK185) Submersible Agitator
Propeller End Assembly



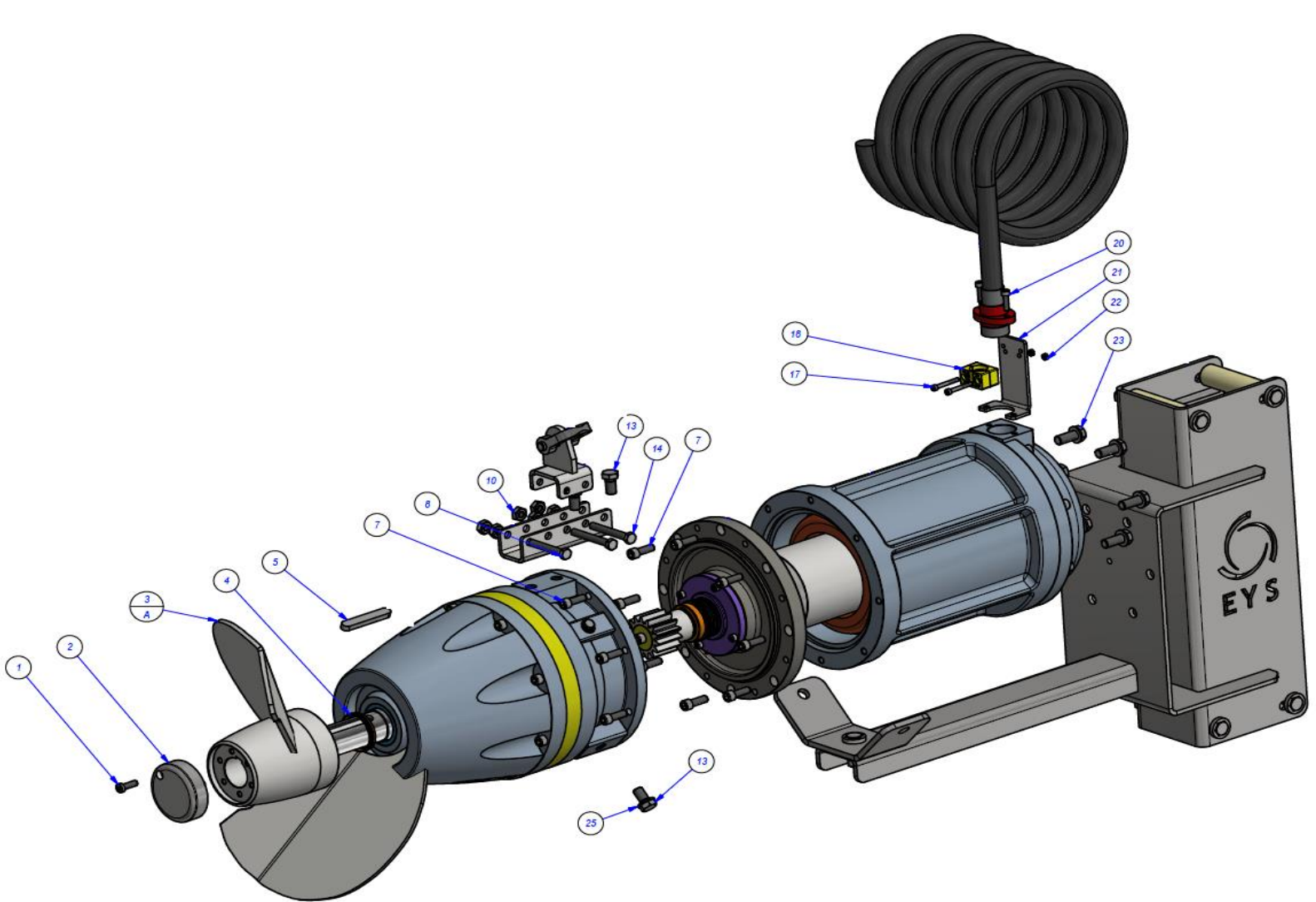
Dwg. #	Item	Description	Qty.
1	Z443	Vring for DK185 Agitator	1
2	T590	M12x80mm SS Socket Head Bolt	8
5	Y351	M12x50mm SS Socket Head Bolt	6
6	T644	Propeller Output Shaft (DK15-DK185)	1
7	V695	Mechanical Seal for DK185 (Prop End)	1
8	D330	Tapered Roller Bearing 30214	2
9	U230	70mm Steel Lock Washer	1
11	J803	Output Shaft Lock Nut (DK15-DK185)	1
12	E380	270x4mm Oring	2
13	S883	Outer Ring Gear (DK15-DK185)	1
15	K772	M16 Copper Washer	1
16	U111	Stopper/Plug M16x1.5mm	1

EYS 20hp (DK15) Submersible Agitator
Motor Body Assembly



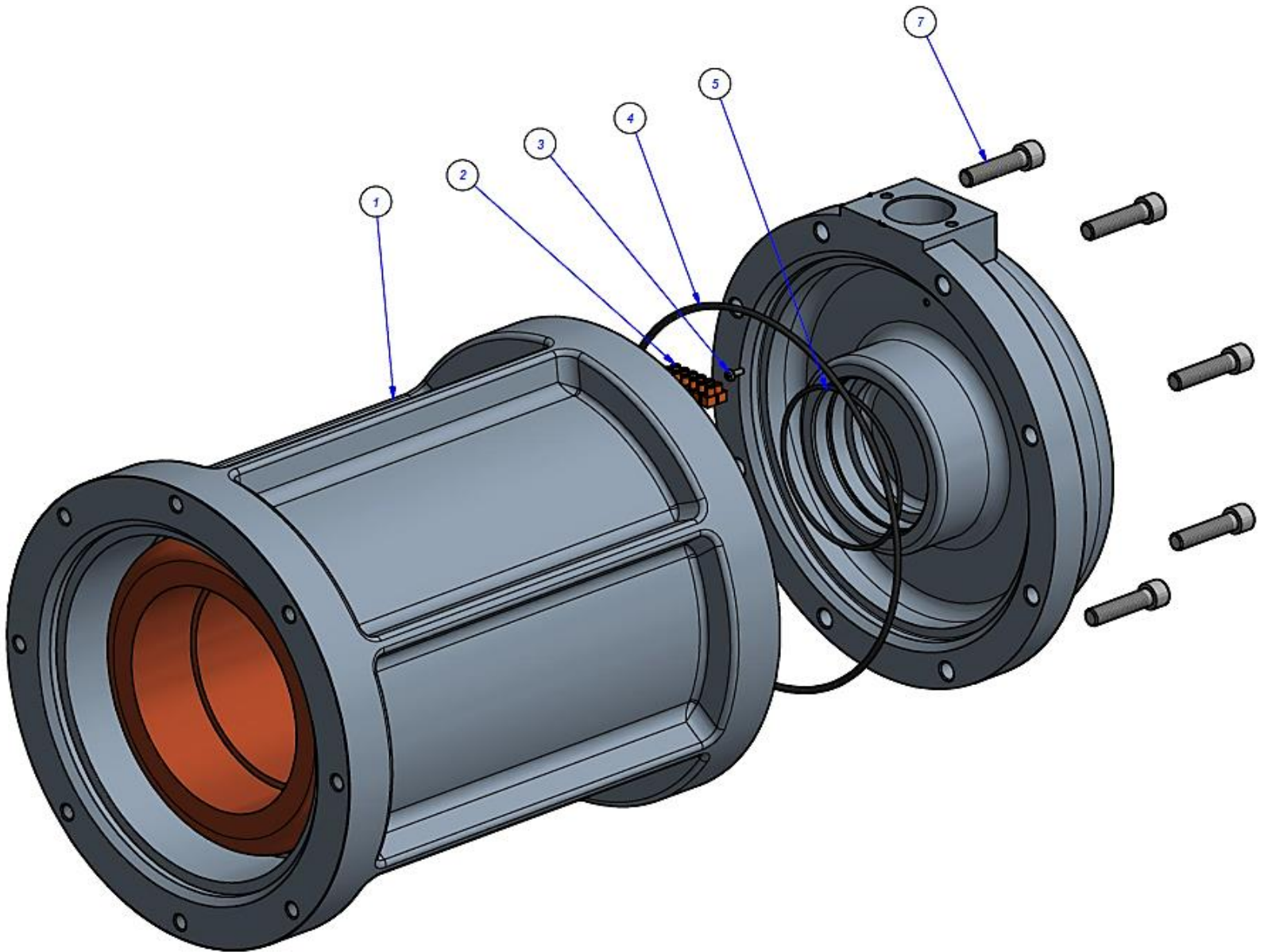
Dwg. #	Item	Description	Qty.
1	S369	DK150 Body w/ Stator	1
2	Q871	Terminal Block (DK15-DK185)	9
3	N331	m4x10mm Torx Head Screw	1
4	X236	265x4mm Oring	1
5	T277	110x3mm Oring	1
7	Y351	M12x50mm SS Socket Head Bolt	8

EYS 20hp (DK15) Submersible Agitator



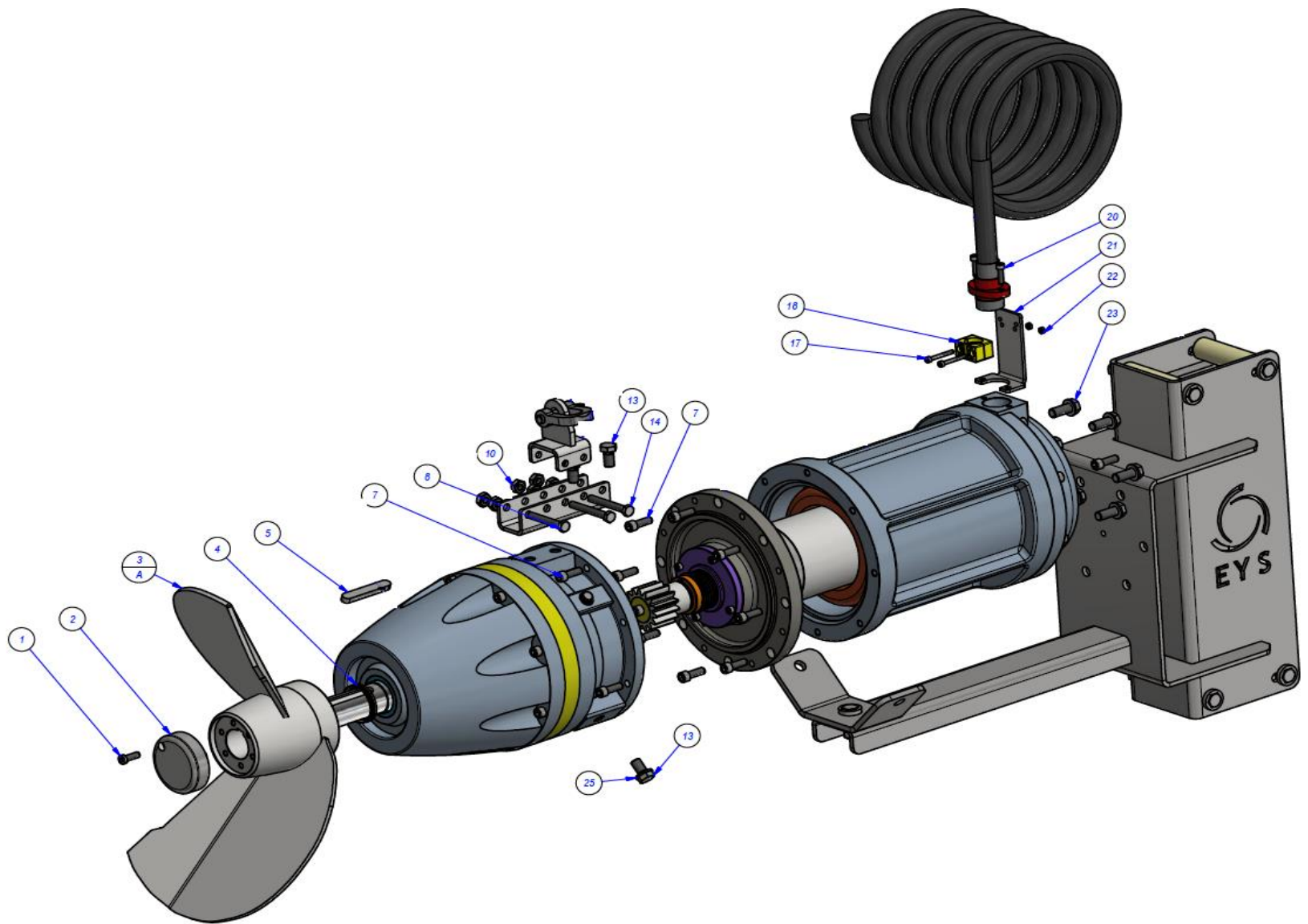
Dwg. #	Item	Description	Qty.
1	T871	M10x30mm SS Socket Head Bolt	1
2	N833	Propeller Cap for DK15-DK185 Agitator	1
3	U870	Propeller for DK15 Agitator	1
4	E268	V-Ring for DK15 Agitator	2
5	F554	10x16x100mm Propeller Key	1
7	N726	M12x35mm SS Socket Head Bolt	16
8	Q212	M12x80mm SS Hex Bolt	1
10	O390	M12 SS Hex Nut	6
13	U176	M16x30mm SS Hex Bolt	4
14	L264	M12x90mm SS Hex Bolt	2
17	S670	M6x50mm SS Socket Head Bolt	2
18	G737	Cable Clamp	1
20	W127	M8x30mm SS Socket Head Bolt	2
21	W128	Cable Bracket	1
22	Z666	M6 SS Nut A2	2
23	G636	M16x40mm SS Hex Bolt	6
25	Q140	M16 SS Flat Washer	8

EYS 25hp (DK185) Submersible Agitator
Motor Body Assembly



Dwg. #	Item	Description	Qty.
1	N229	25HP Body w/ Stator	1
2	Q871	Terminal Block (DK15-DK185)	9
3	N331	m4x10mm Torx Head Screw	1
4	X236	265x4mm Oring	1
5	T277	110x3mm Oring	1
7	Y351	M12x50mm SS Socket Head Bolt	8

EYS 25hp (DK185) Submersible Agitator



Dwg. #	Item	Description	Qty.
1	T871	M10x30mm SS Socket Head Bolt	1
2	N833	Propeller Cap for DK15-DK185 Agitator	1
3	B715	Propeller for 25HP EYS Agitator	1
4	E268	V-Ring for DK15 Agitator	2
5	F554	10x16x100mm Propeller Key	1
7	N726	M12x35mm SS Socket Head Bolt	16
8	Q212	M12x80mm SS Hex Bolt	1
10	O390	M12 SS Hex Nut	6
13	U176	M16x30mm SS Hex Bolt	4
14	L264	M12x90mm SS Hex Bolt	2
17	S670	M6x50mm SS Socket Head Bolt	2
18	G737	Cable Clamp	1
20	W127	M8x30mm SS Socket Head Bolt	2
21	W128	Cable Bracket	1
22	Z666	M6 SS Nut A2	1
23	G636	M16x40mm SS Hex Bolt	6
25	Q140	M16 SS Flat Washer	8