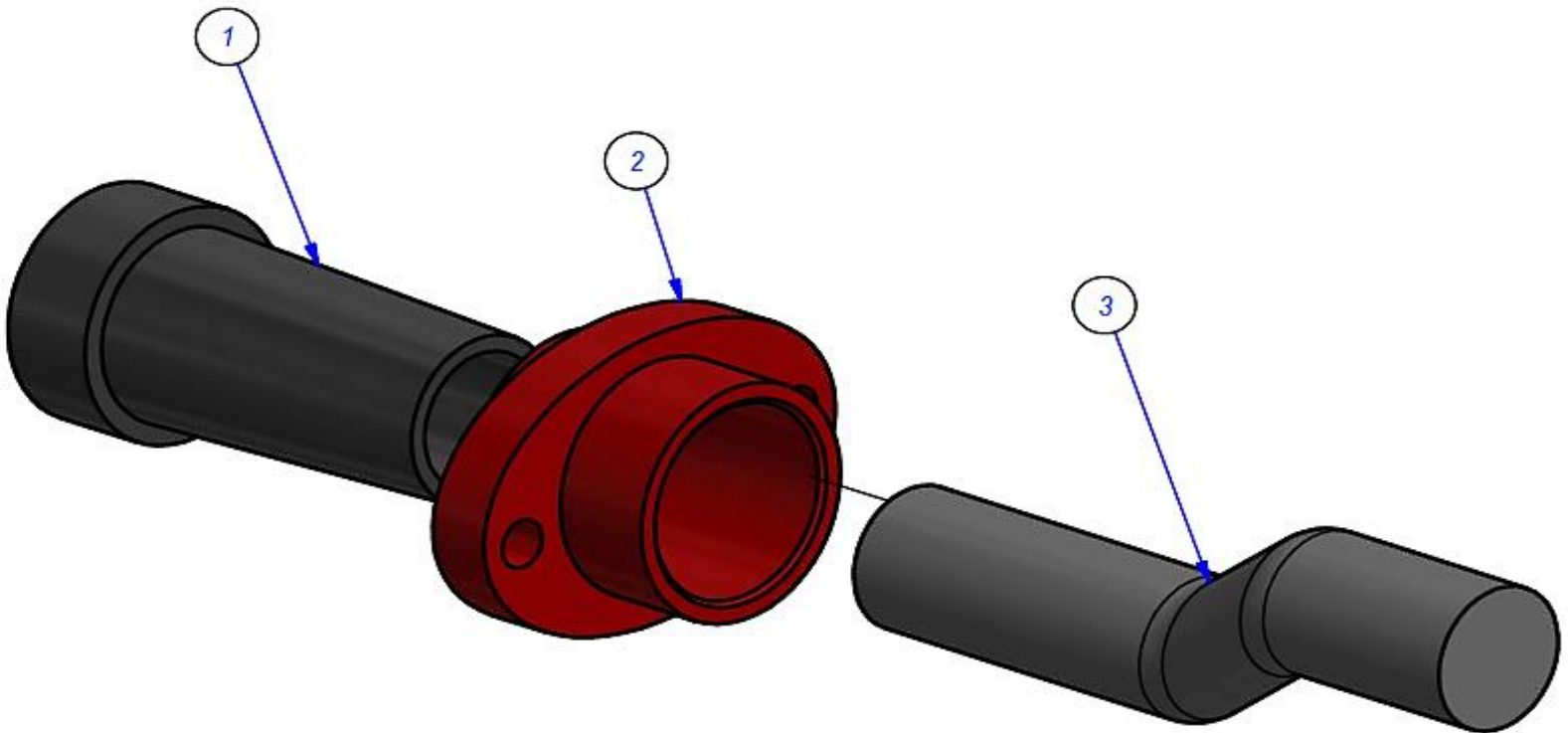
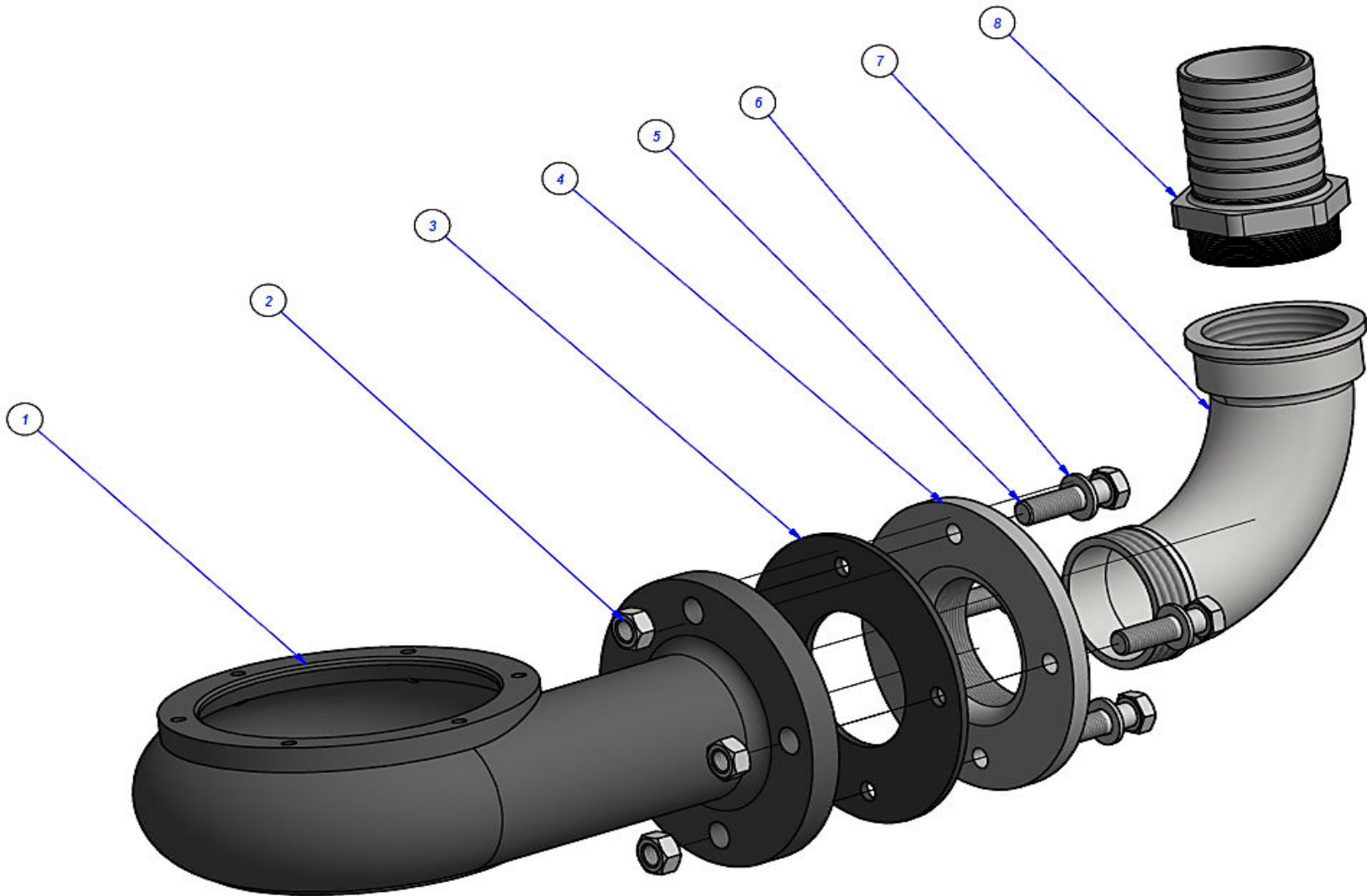


EYS 4-7.5hp (DP30-DP55) Submersible Chopper Pump
Cable Assembly



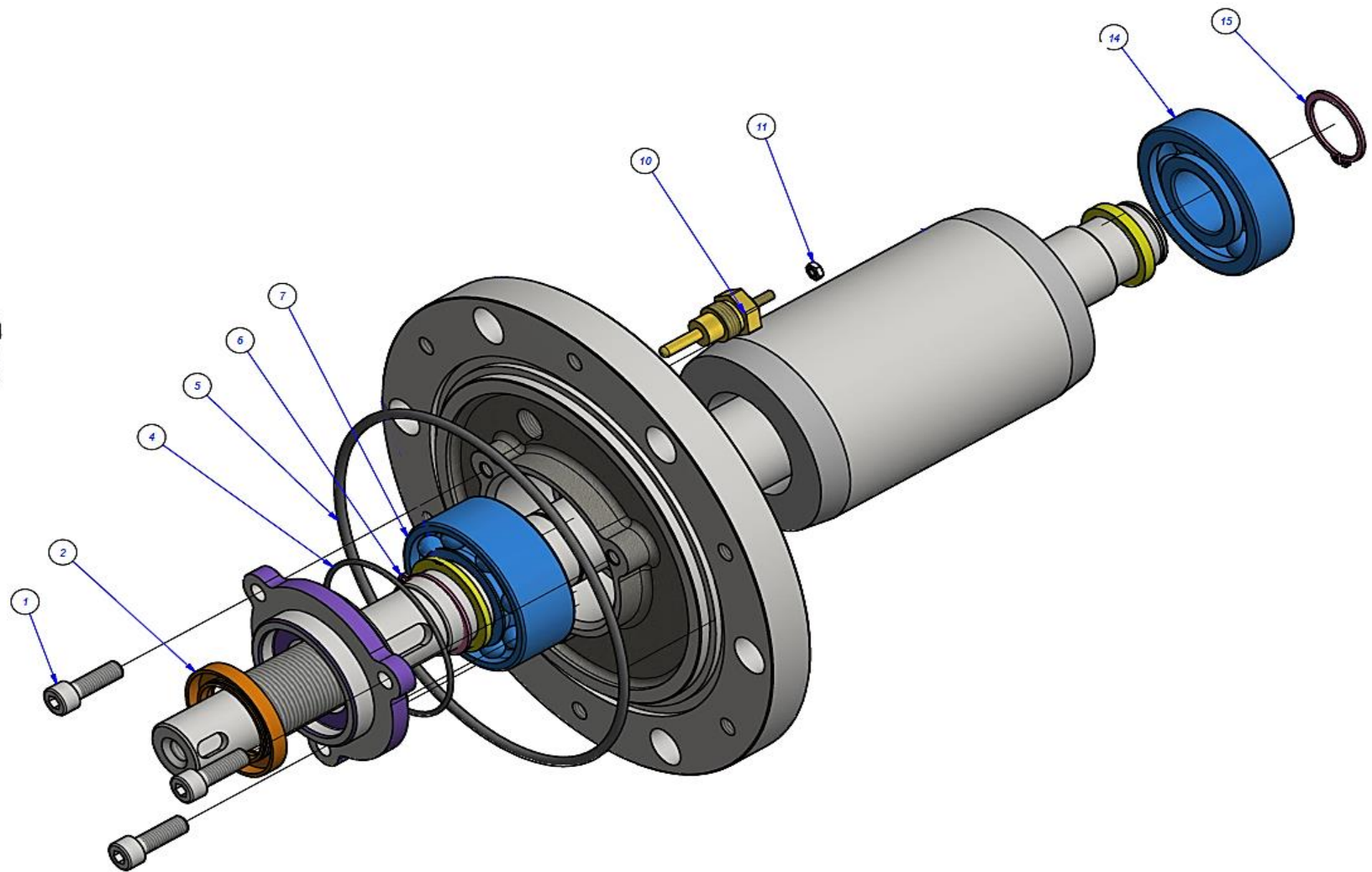
Dwg. #	Item	Description	Qty.
1	V575	Cable Rubber	1
2	Q364	Cord Grip for Entry Cover	1
3	L420	Cord for 4-7.5HP (EYS Submersibles)	1

EYS 4hp (DP30) Submersible Chopper Pump
Housing Assembly



Dwg. #	Item	Description	Qty.
1	G451	Housing for 4hp (DP30) Submersible Pump	1
2	Y472	M16 SS Hex Nut	4
3	T186	3" Rubber Flange Gasket	1
4	R551	3" Flange for 4hp (DP30) Submersible Pump	1
5	Y719	M16x60mm SS Hex Bolt	4
6	Q140	M16 SS Flat Washer	4
7	P594	3" 90deg Elbow for 4hp (DP30) Submersible Pump	1
8	C863	3" Hose Barb Fitting for 4hp (DP30) Submersible Pump	1

EYS 4hp (DP30) Submersible Chopper Pump
Middle Assembly



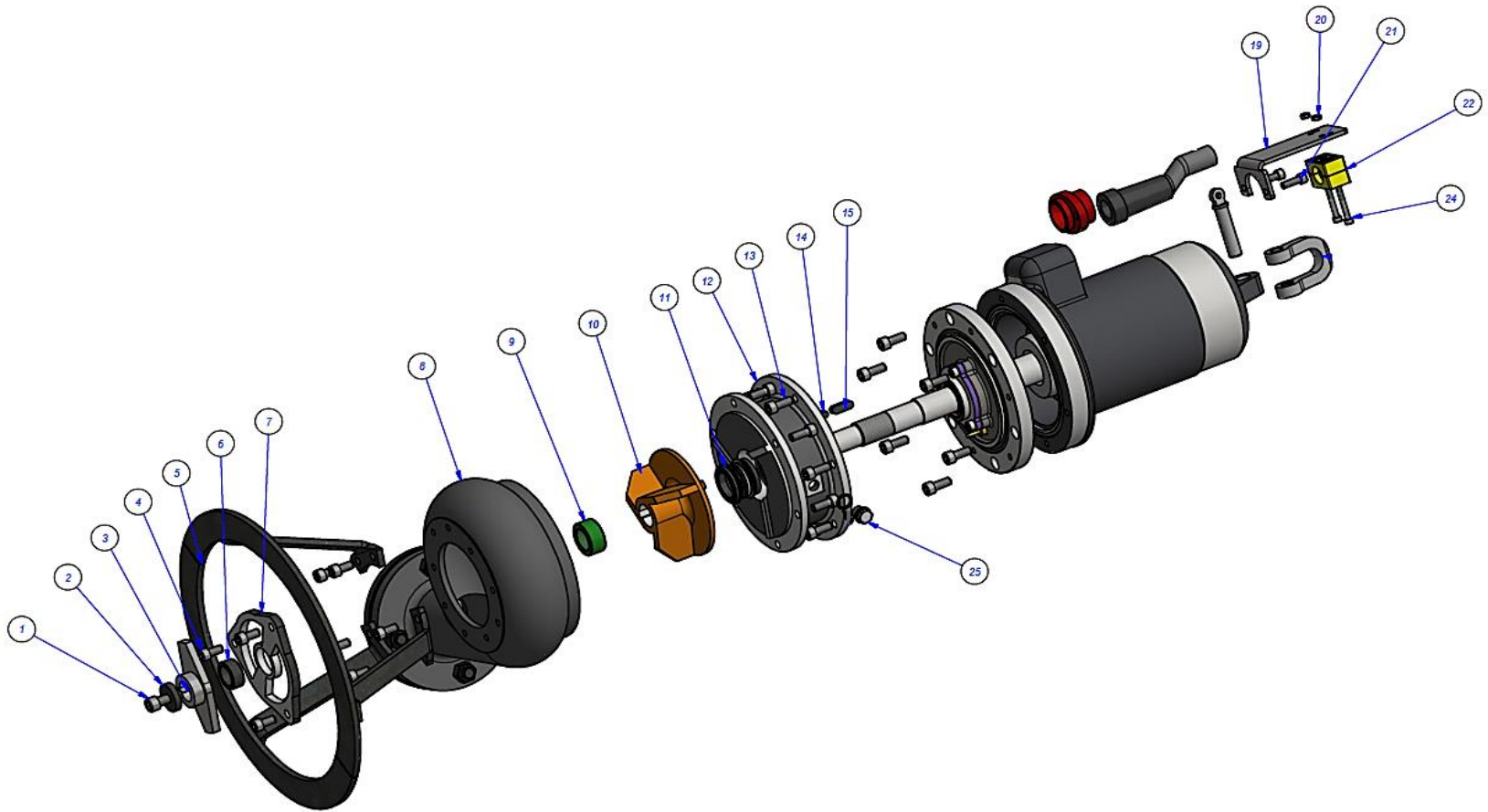
Dwg. #	Item	Description	Qty.
1	D730	M8x25mm SS Socket Head Bolt	3
2	V770	30 x 72 x 1mm Oil Seal - PA53 IEC Adapter	1
4	P292	72x2mm O-Ring	1
5	R499	0165x04 O-Ring for EYS Sub. Pump (4hp-7.5hp)	1
6	W462	DIN471 35mm External Retaining Ring	1
7	A744	3207 Bearing	1
10	E662	Electrode	1
11	T663	M4 SS Hex Nut	1
14	K133	6306 Bearing	1
15	T158	DIN471 - 30mm Retaining Ring	1

EYS 4hp (DP30) Submersible Chopper Pump
Motor Body Assembly



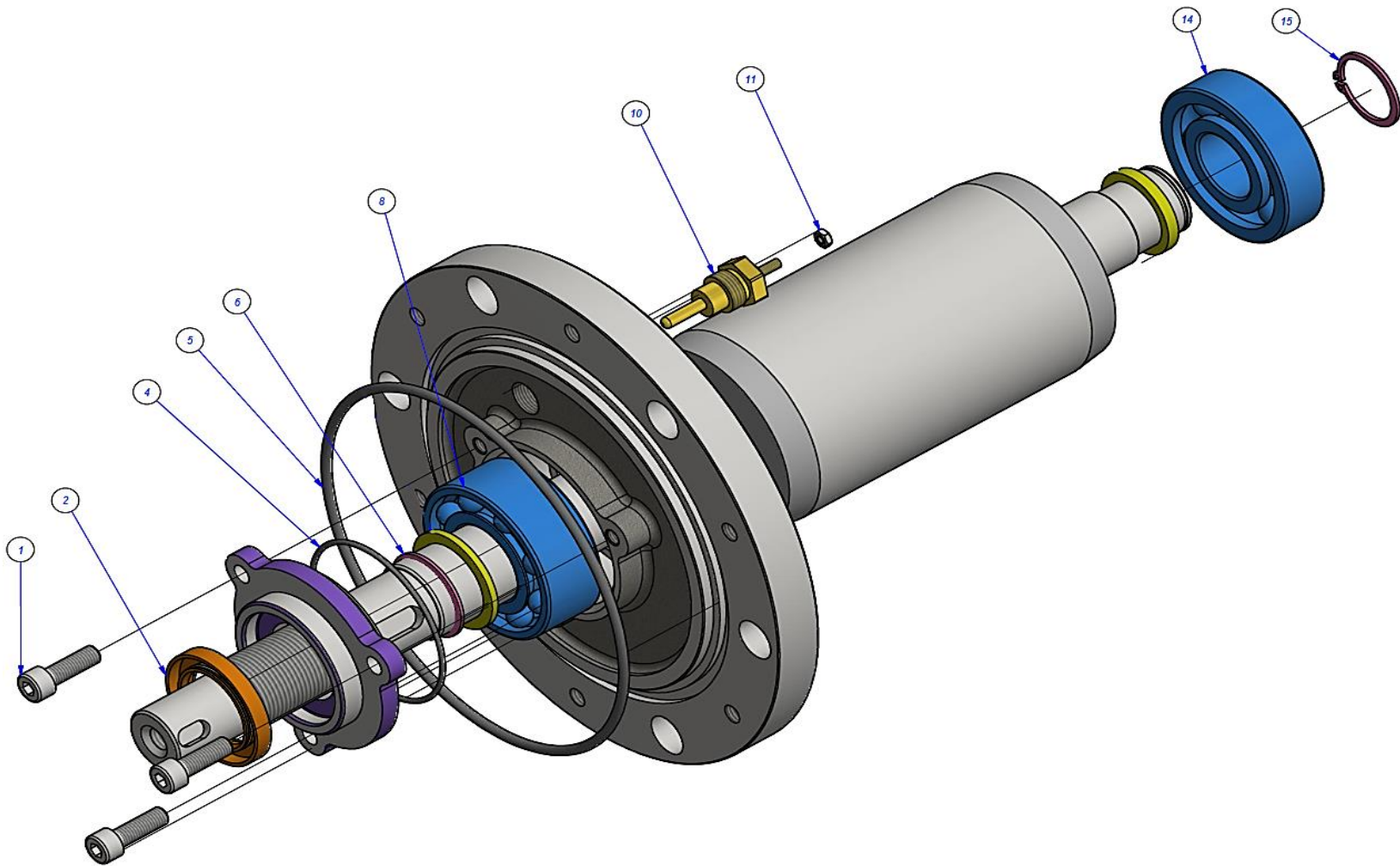
Dwg. #	Item	Description	Qty.
1	G542	175x5 O-Ring for EYS Sub. Pump (4hp-7.5hp)	1
2	N331	m4x10mm Torx Head Screw	1
3	V107	4hp Body w/ Stator	1

EYS 4hp (DP40) Submersible Chopper Pump



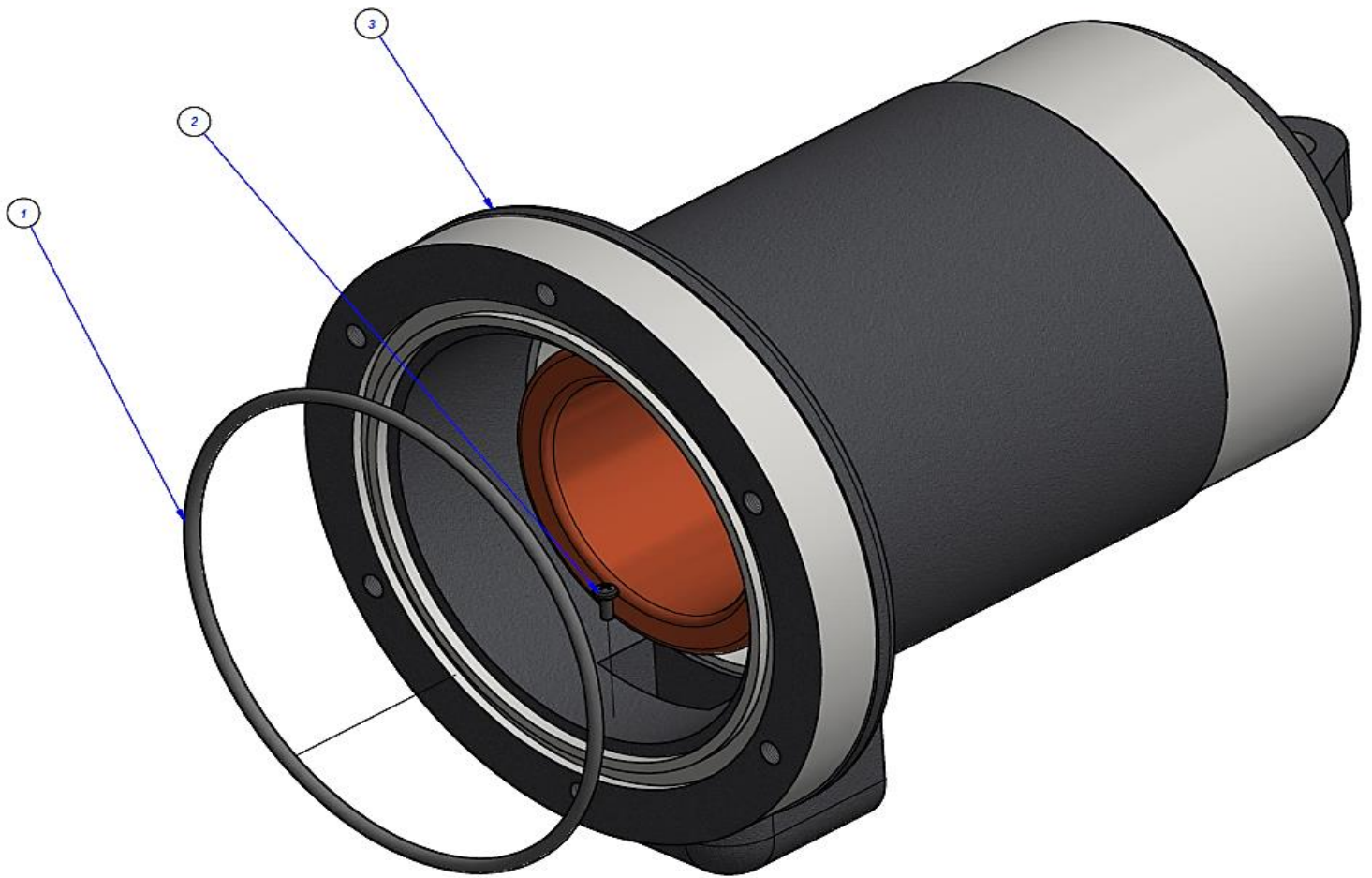
Dwg. #	Item	Description	Qty.
1	P414	M12-1.75 x 35mm Zinc Socket Head Bolt	1
2	P886	Turning Blade Squeezing Ring (4-5hp)	1
3	C252	Turning Blade for EYS Sub. Pump (4hp-5hp)	1
4	P493	M10x20mm SS Socket Head Bolt	9
5	U313	DP30 Base	1
6	J468	Blade Bedding Fixture for EYS Sub. Pump (4-5hp)	1
7	B466	Fixed Blade for EYS Sub. Pump (4hp-5hp)	1
8	N488	Impeller Housing for EYS Sub. Pump (4-5hp)	1
9	D624	Impeller Bushing (4-5hp)	1
10	X296	Impeller for 4HP EYS Submersible Pump	1
11	O447	Mechanical Seal for EYS Sub. Pump (4hp-7.5hp)	1
12	D611	Casting Neck for EYS Sub. Pump (4-5hp)	1
13	R428	M10x25mm SS Socket Head Bolt	18
14	N118	Blade Bearing Key for EYS Sub. Pump (4hp-5hp)	1
15	X288	Pump Spindle Key for EYS Sub. Pump (4-5hp)	1
19	W128	Cable Bracket	1
20	Z666	M6 SS Nut A2	2
21	D730	M8x25mm SS Socket Head Bolt	2
22	W361	Cable Clamp for EYS Sub. Chopper Pumps	1
24	S670	M6x50mm SS Socket Head Bolt	2
25	U111	Stopper/Plug M16x1.5mm	1

EYS 5hp (DP40) Submersible Chopper Pump
Middle Assembly



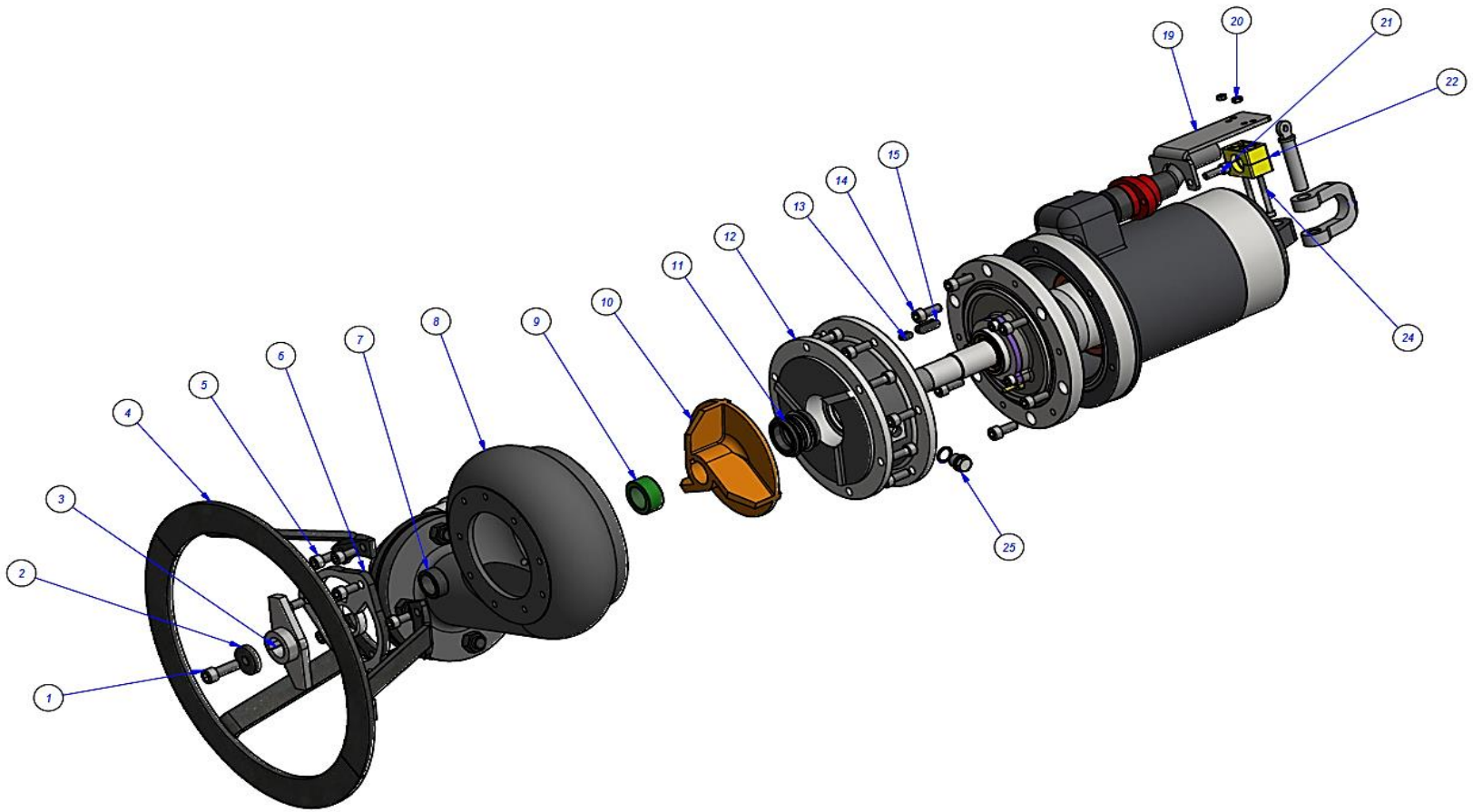
Dwg.	Item	Description	Qty.
1	D730	M8x25mm SS Socket Head Bolt	3
2	V770	30 x 72 x 1mm Oil Seal - PA53 IEC Adapter	1
4	P292	72x2mm O-Ring	1
5	R499	O165x04 O-Ring for EYS Sub. Pump (4hp-7.5hp)	1
6	W462	DIN471 35mm External Retaining Ring	1
8	A744	3207 Bearing	1
10	E662	Electrode	1
11	T663	M4 SS Hex Nut	1
14	K133	6306 Bearing	1
15	T158	DIN471 - 30mm Retaining Ring	1

EYS 5hp (DP40) Submersible Chopper Pump
Motor Body Assembly



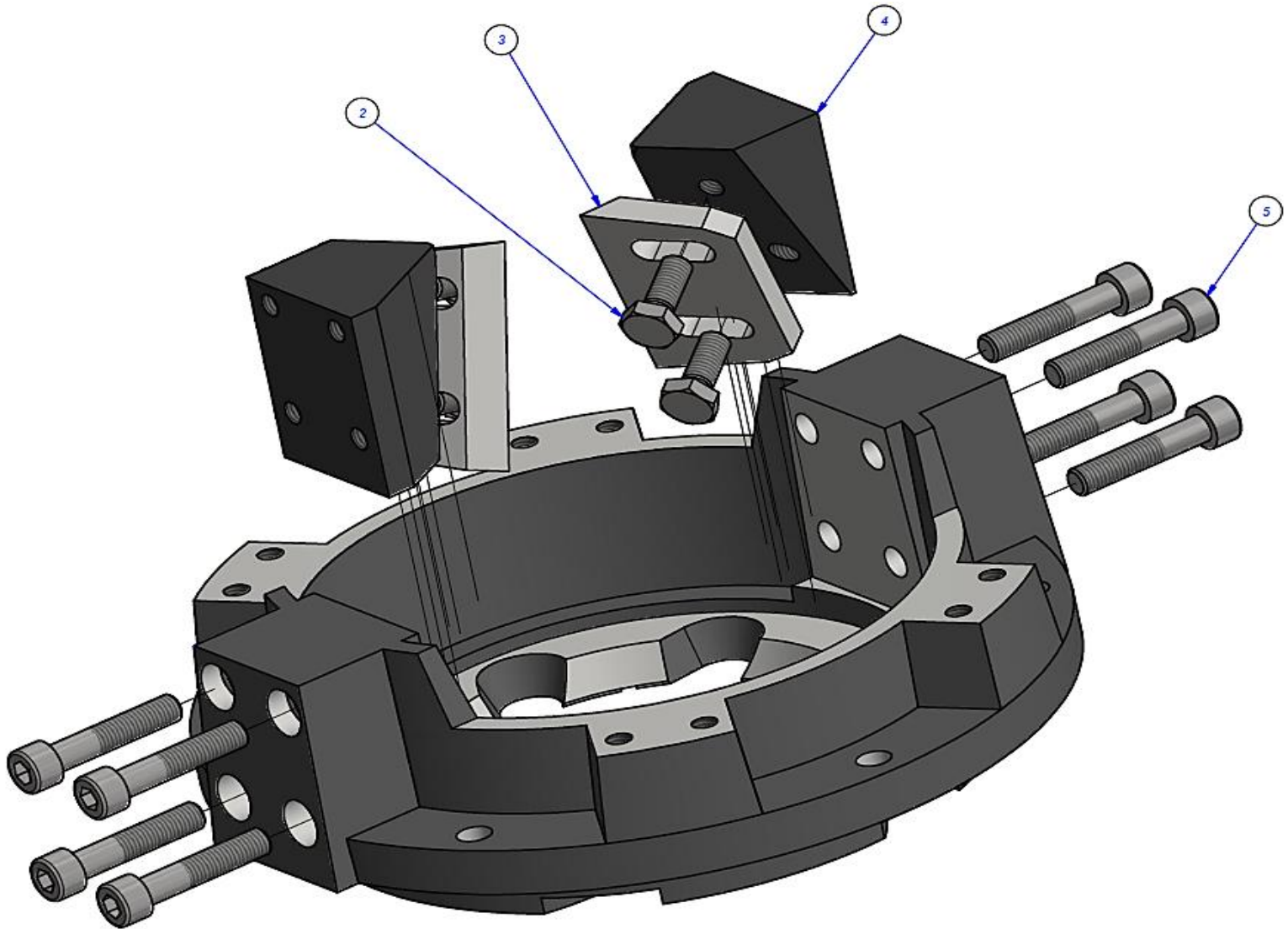
Dwg. #	Item	Description	Qty.
1	G542	175x5mm O-Ring	1
2	N331	M4 x 10mm Torx Head Screw	1
3	F108	5hp Body w/ Stator	1

EYS 5hp (DP40) Submersible Chopper Pump



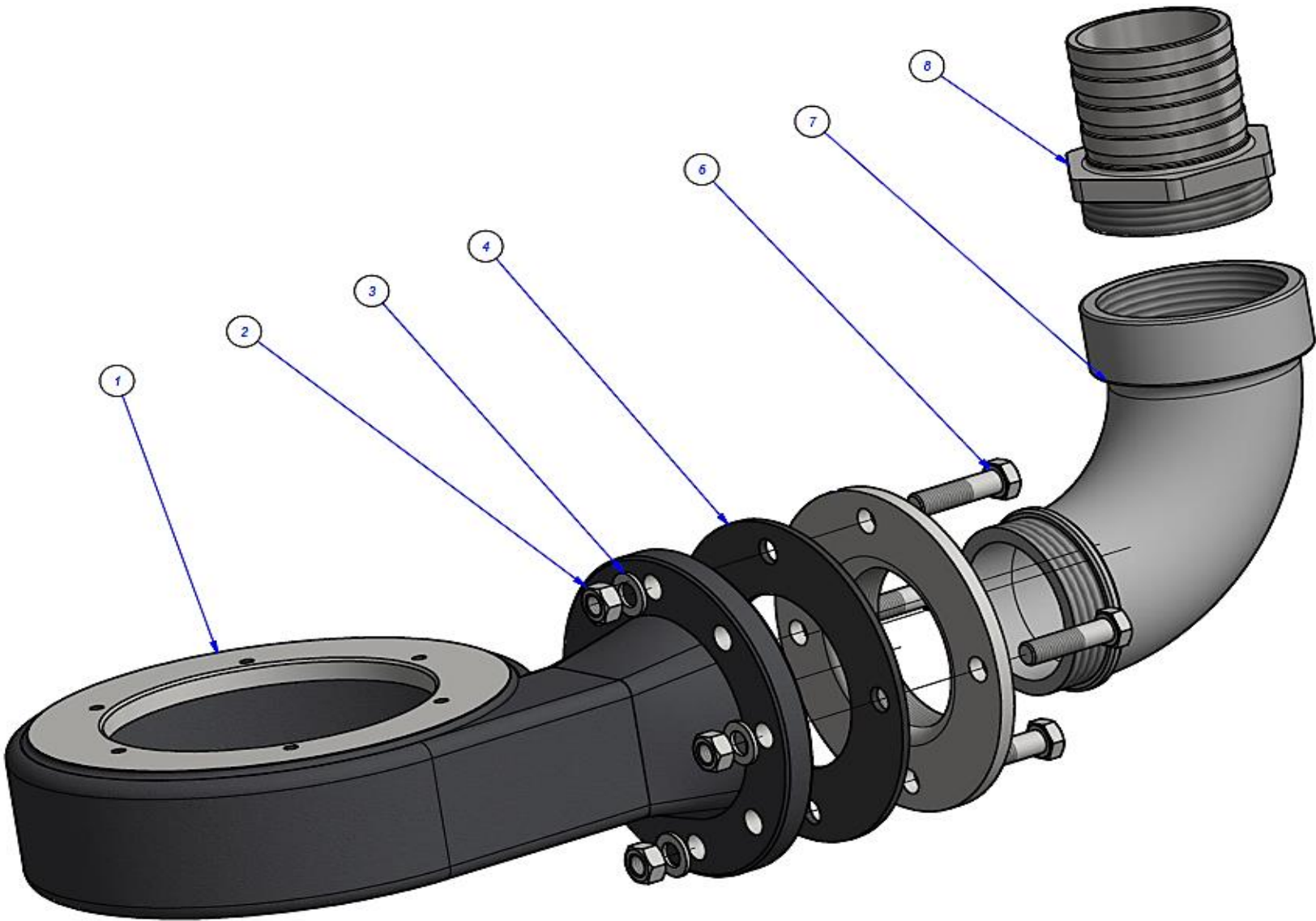
Dwg. #	Item	Description	Qty.
1	P414	M12-1.75 x 35mm Zinc Socket Head Bolt	1
2	P886	Turning Blade Squeezing Ring (4-5hp)	1
3	C252	Turning Blade for EYS Sub. Pump (4hp-5hp)	1
4	U313	DP30 Base	1
5	P493	M10x20mm SS Socket Head Bolt	9
6	B466	Fixed Blade for EYS Sub. Pump (4-5hp)	1
7	J468	Blade Bedding Fixture for EYS Sub. Pump (4-5hp)	1
8	N488	Impeller Housing for EYS Sub. Pump (4-5hp)	1
9	D624	Impeller Bushing (4-5hp)	1
10	X296	Impeller for 4HP EYS Submersible Pump	1
11	O447	Mechanical Seal for EYS Sub. Pump (4hp-7.5hp)	1
12	D611	Casting Neck for EYS Sub. Pump (4-5hp)	1
13	N118	Blade Bearing Key for EYS Sub. Pump (4hp-5hp)	1
14	R428	M10x25mm SS Socket Head Bolt	18
15	X288	Pump Spindle Key for EYS Sub. Pump (4-5hp)	1
19	W128	Cable Bracket	1
20	Z666	M6 SS Nut A2	2
21	D730	M8x25mm SS Socket Head Bolt	2
22	W361	Cable Clamp for EYS Sub. Chopper Pumps	1
24	S670	M6x50mm SS Socket Head Bolt	2
25	U111	Stopper/Plug M16x1.5mm	1

EYS 7.5hp (DP55) Submersible Chopper Pump
Blade Bed Assembly



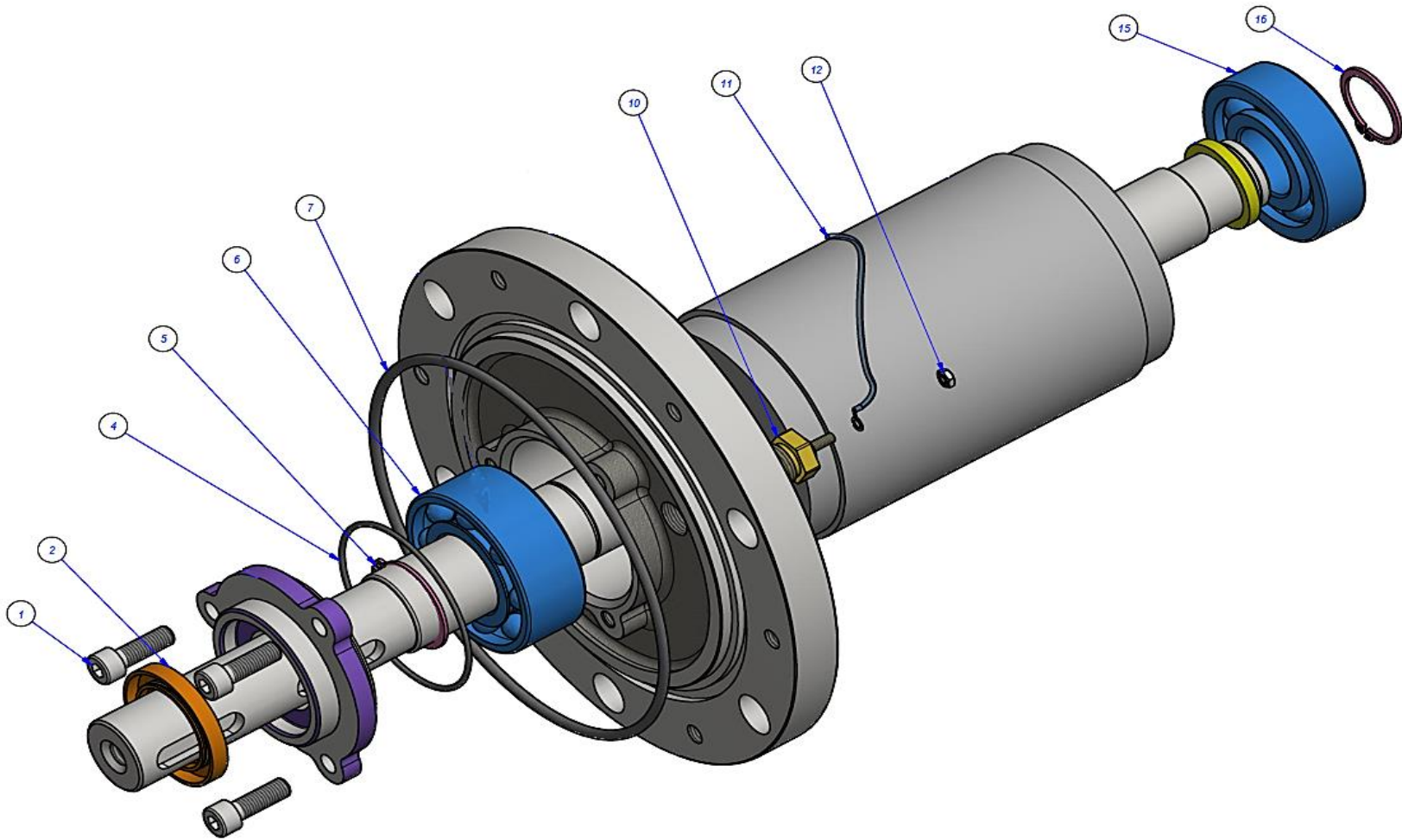
Dwg. #	Item	Description	Qty.
2	T539	M10 x 25mm Zinc Hex Bolt	4
3	V486	Blade for EYS Submersible Pump	2
4	C801	Blade Wedge for EYS Submersible Pump	2
5	Q486	M10x50mm SS Socket Head Bolt	8

EYS 7.5hp (DP55) Submersible Chopper Pump
Housing Assembly



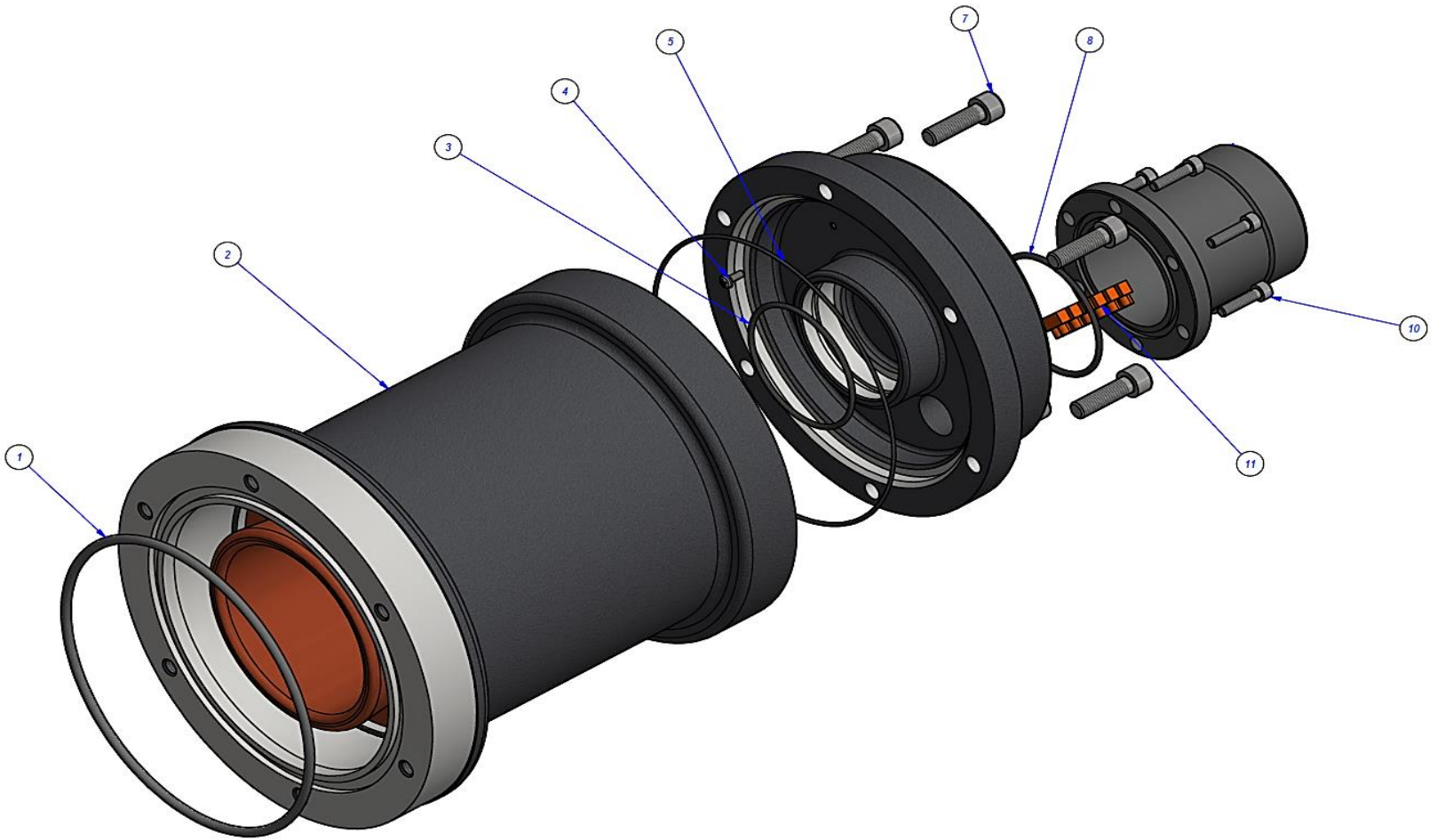
Dwg. #	Item	Description	Qty.
1	D708	Impeller Housing for EYS Sub. Pump (7.5hp)	1
2	Y472	M16 SS Hex Nut	4
3	K772	M16 Copper Washer	4
4	Q706	4" Rubber Flange Gasket	1
6	Y719	M16x60mm SS Hex Bolt	4
7	L438	4" 90deg Elbow for EYS Submersible Pump	1
8	Z253	4" Hose Fitting for EYS Submersible Pumps	1

EYS 7.5hp (DP55) Submersible Chopper Pump
Middle Assembly



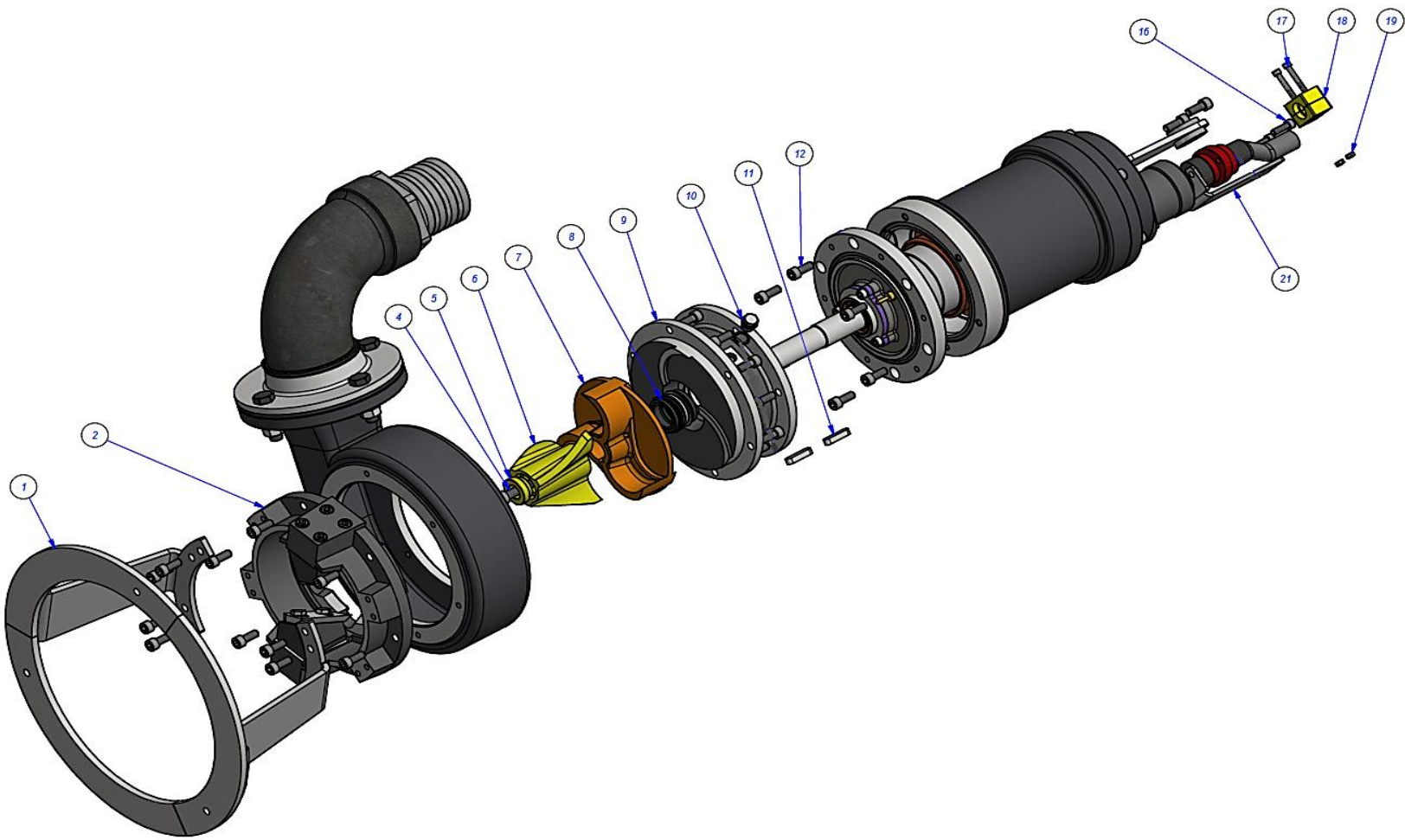
Dwg. #	Item	Description	Qty.
1	D730	M8x25mm SS Socket Head Bolt	3
2	V770	30x72x1mm Oil Seal - PA53 IEC Adapter	1
4	P292	72x2mm O-Ring	1
5	W462	DIN471 35mm External Retaining Ring	1
6	A744	3207 Bearing	1
7	R499	0165x04 O-Ring for EYS Sub. Pump (4hp-7.5hp)	1
10	E662	Electrode	1
11	O758	Fiber Optic Cable for Electrode (30cm)	1
12	T663	M4 SS Hex Nut	1
15	K133	6306 Bearing	1
16	T158	DIN471 - 30mm Retaining Ring	1

EYS 7.5hp (DP55) Submersible Chopper Pump
Motor Body Assembly



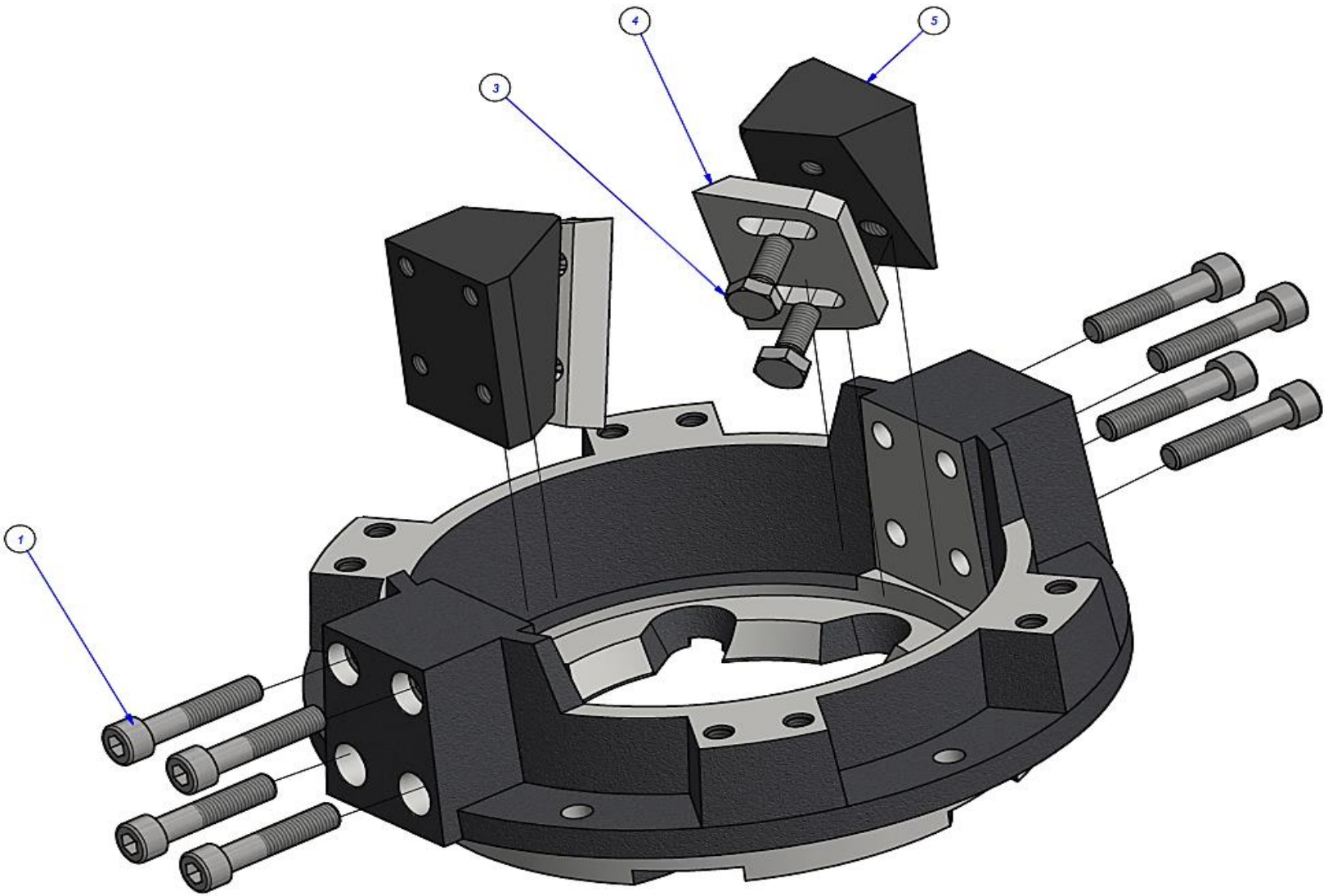
Dwg. #	Item	Description	Qty.
1	G542	175x5mm O-Ring	1
2	A721	7.5hp Body w/ Stator	1
3	V185	72x3mm O-Ring	1
4	N331	M4 x 10mm Torx Head Screw	1
5	G542	175x5mm O-Ring	1
7	N447	M10-1.5 x 35MM SOCKET HEAD BOLT	6
8	P292	72x2mm O-Ring	1
10	G244	M6x25mm SS Socket Head Bolt	6
11	V390	Terminal Block for 7.5hp (DP55) Pump	6

EYS 7.5hp (DP55) Submersible Chopper Pump



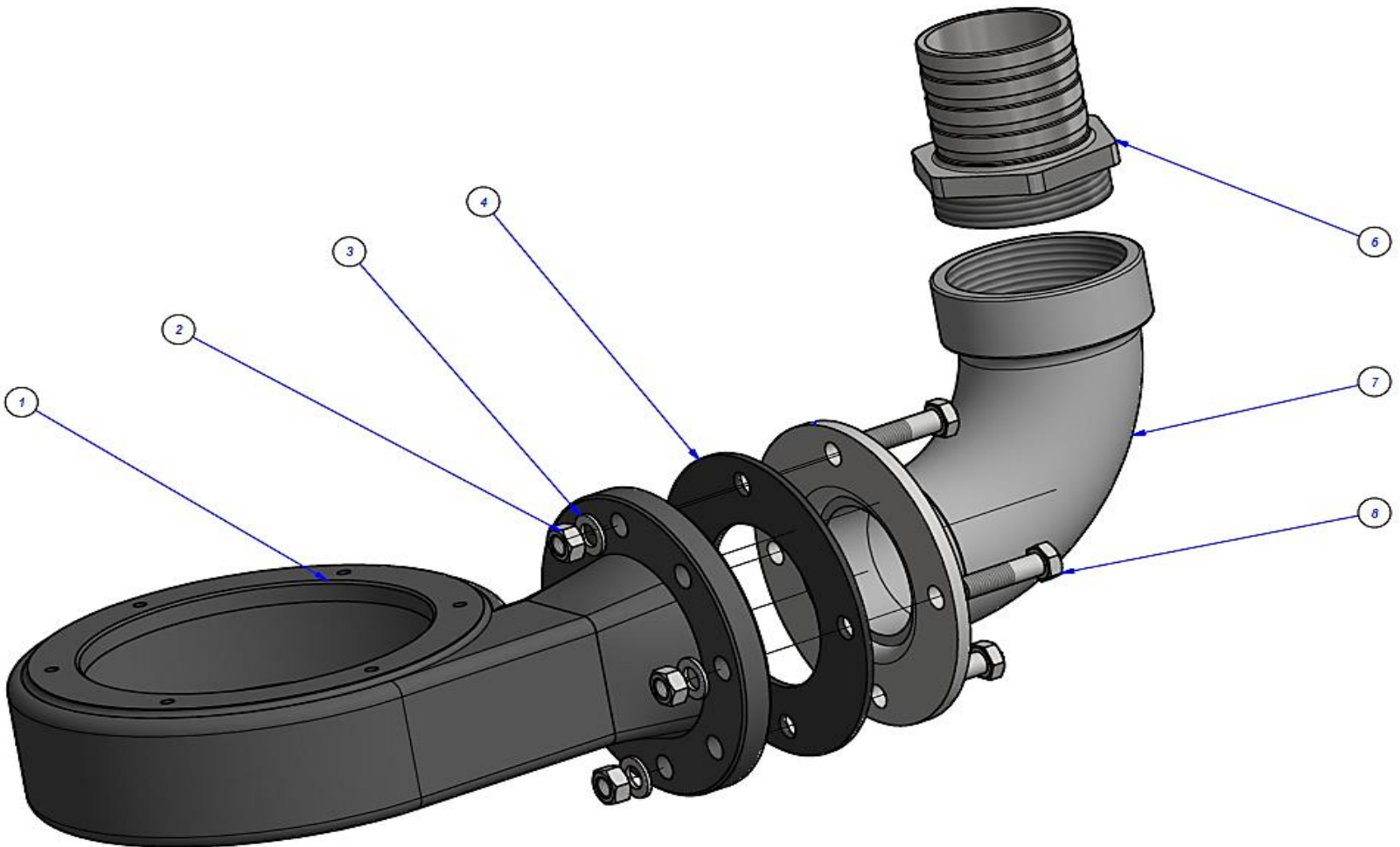
Dwg. #	Item	Description	Qty.
1	U188	Base for EYS Chopper Pump (7.5-15hp)	1
2	A658	Blade Bed Assy. for EYS Sub. Pump (15hp)	1
4	Y351	M12x50mm SS Socket Head Bolt	1
5	X616	Turning Blade Spacer	1
6	R793	Turning Blade for EYS Sub. Pump (7.5hp)	1
7	D421	Impeller for 7.5HP EYS Submersible Pump	1
8	O447	Mechanical Seal for EYS Sub. Pump (4hp-7.5hp)	1
9	T403	Casting Neck for EYS Sub. Pump (7.5hp)	1
10	U111	Stopper/Plug M16x1.5mm	1
11	P722	Pump Spindle Key for EYS Sub. Pump (7.5-15hp)	2
12	R428	M10x25mm SS Socket Head Bolt	34
16	D730	M8x25mm SS Socket Head Bolt	2
17	S670	M6x50mm SS Socket Head Bolt	2
18	W361	Cable Clamp for EYS Sub. Chopper Pumps	1
19	Z666	M6 SS Nut A2	2
21	W128	Cable Bracket	1

EYS 10hp (DP75) Submersible Chopper Pump
Blade Bed Assembly



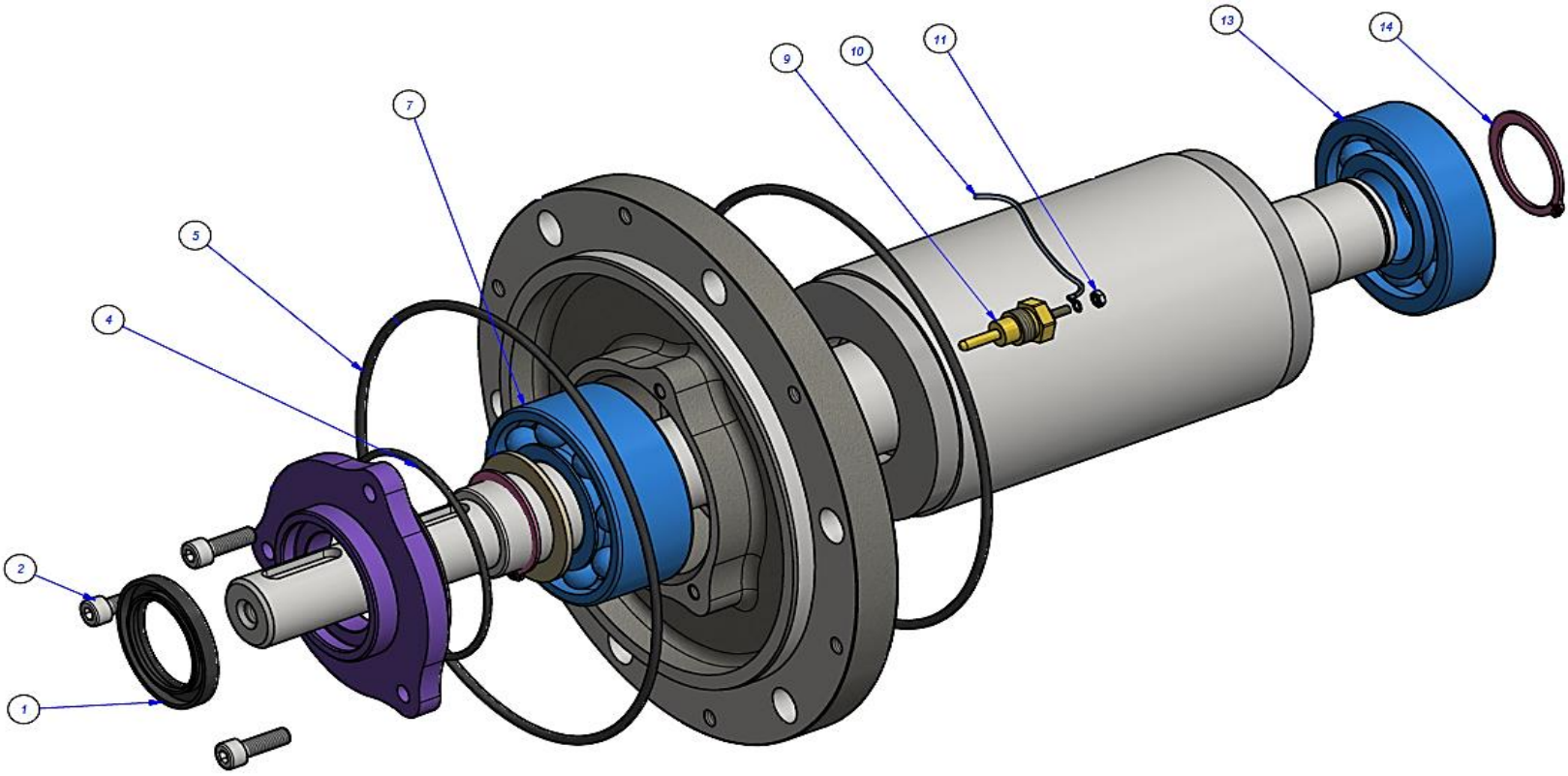
Dwg. #	Item	Description	Qty.
1	Q486	M10x50mm SS Socket Head Bolt	8
3	T539	M10 x 25mm Zinc Hex Bolt	4
4	V486	Blade for EYS Submersible Pump	2
5	C801	Blade Wedge for EYS Submersible Pump	2

EYS 10hp (DP75) Submersible Chopper Pump
Housing Assembly



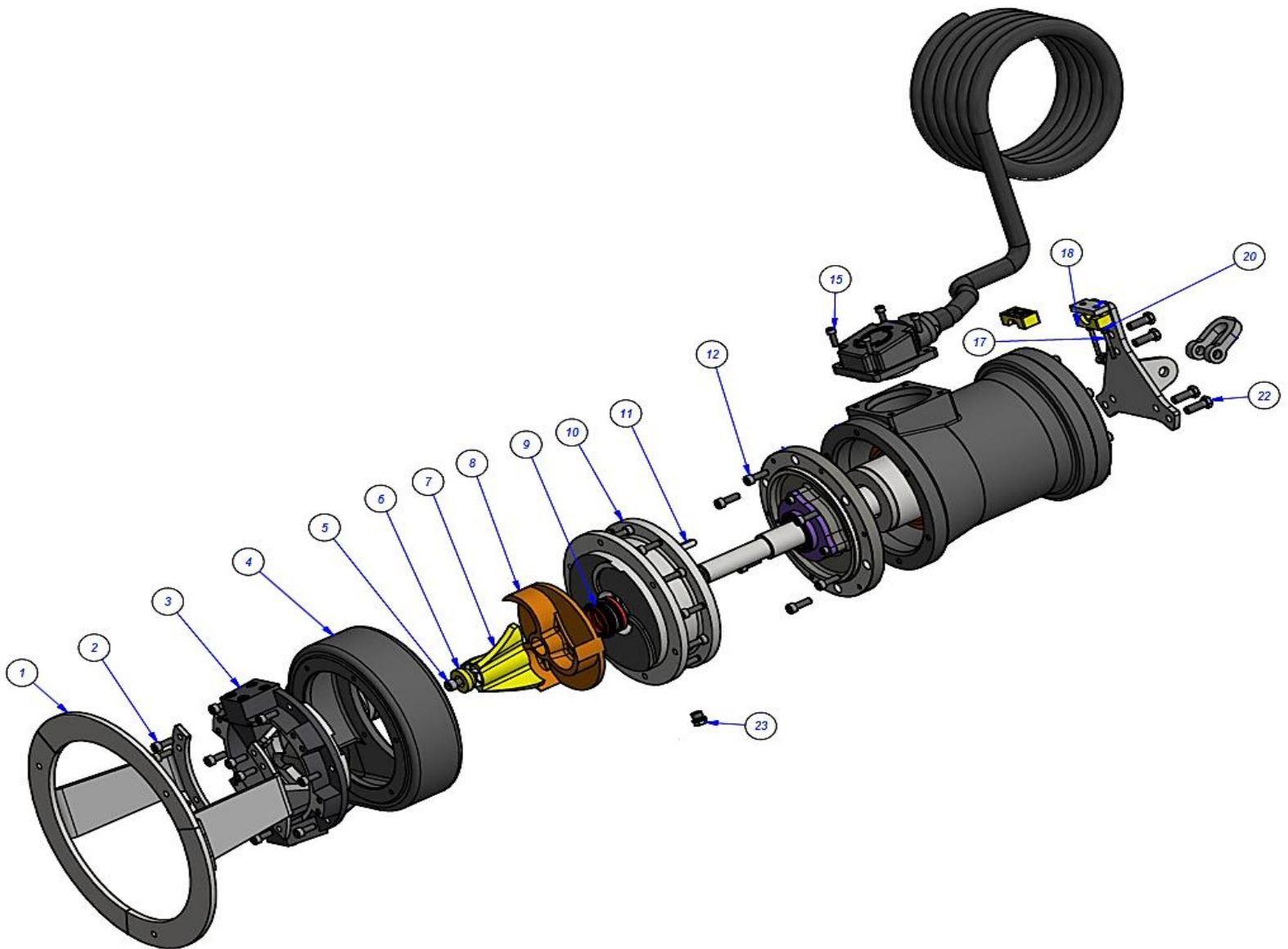
Dwg. #	Item	Description	Qty.
1	Z379	Impeller Housing for 10hp (DP75) Submersible Pump	1
2	Y472	M16 SS Hex Nut	4
3	Q140	M16 SS Flat Washer	4
4	Q706	4" Rubber Flange Gasket	1
6	Z253	4" Hose Fitting for EYS Submersible Pumps	1
7	L438	4" 90deg Elbow for EYS Submersible Pump	1
8	Y719	M16x60mm SS Hex Bolt	4

EYS 10hp (DP75) Submersible Chopper Pump
Middle Assembly



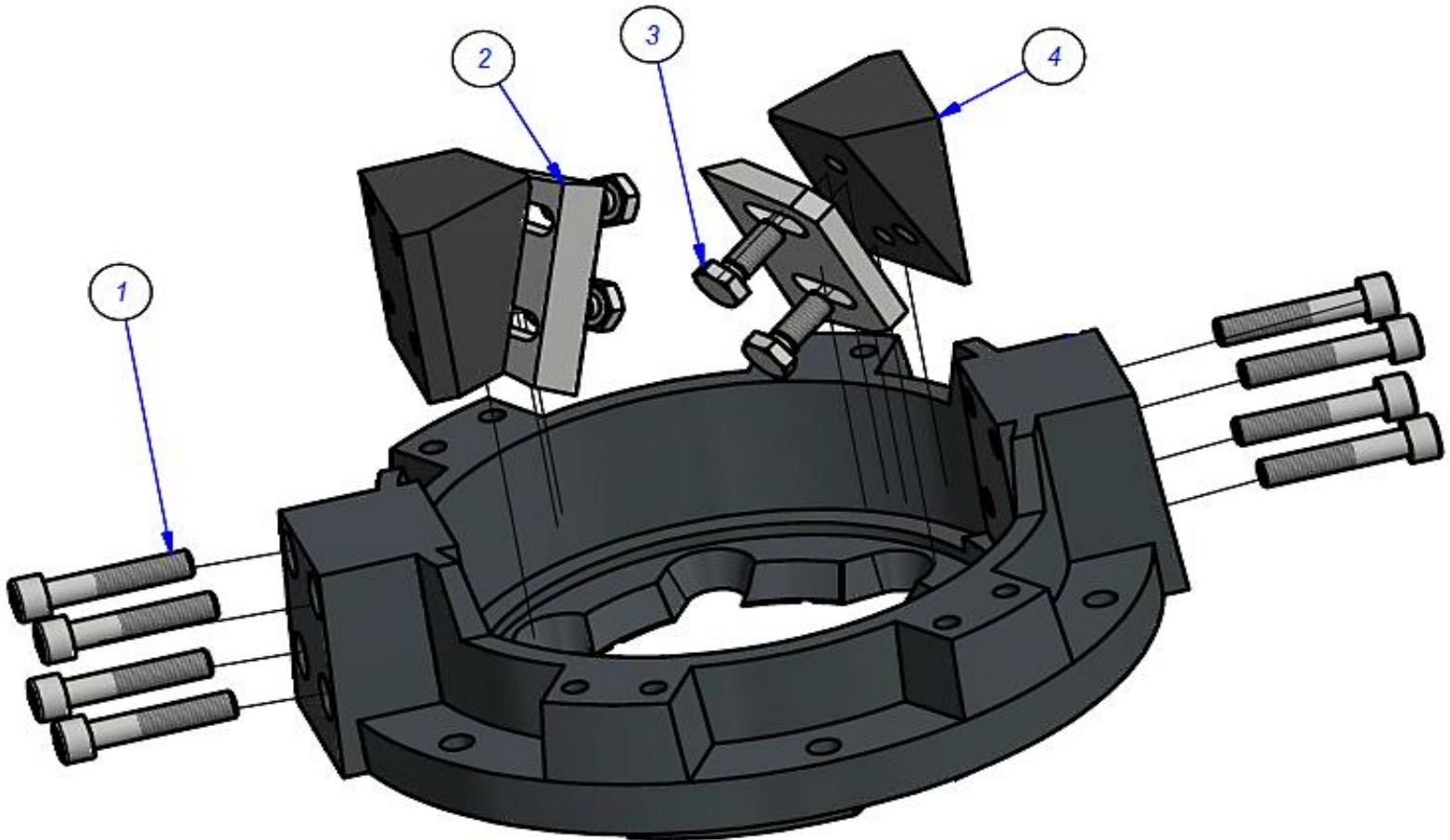
Dwg. #	Item	Description	Qty.
1	O588	Oil Seal for EYS Submers. Pump (10hp-15hp)	1
2	D730	M8x25mm SS Socket Head Bolt	3
4	Y438	100x3mm Oring	1
5	Q688	215x4mm Oring	2
7	J533	Dbl. Row Ball Bearing	1
9	E662	Electrode	1
10	O758	Fiber Optic Cable for Electrode (30cm)	1
11	T663	M4 SS Hex Nut	1
13	G908	6309 Bearing	1
14	S728	DIN 471 45mm External Retaining Ring	2

EYS 10hp (DP75) Submersible Chopper Pump



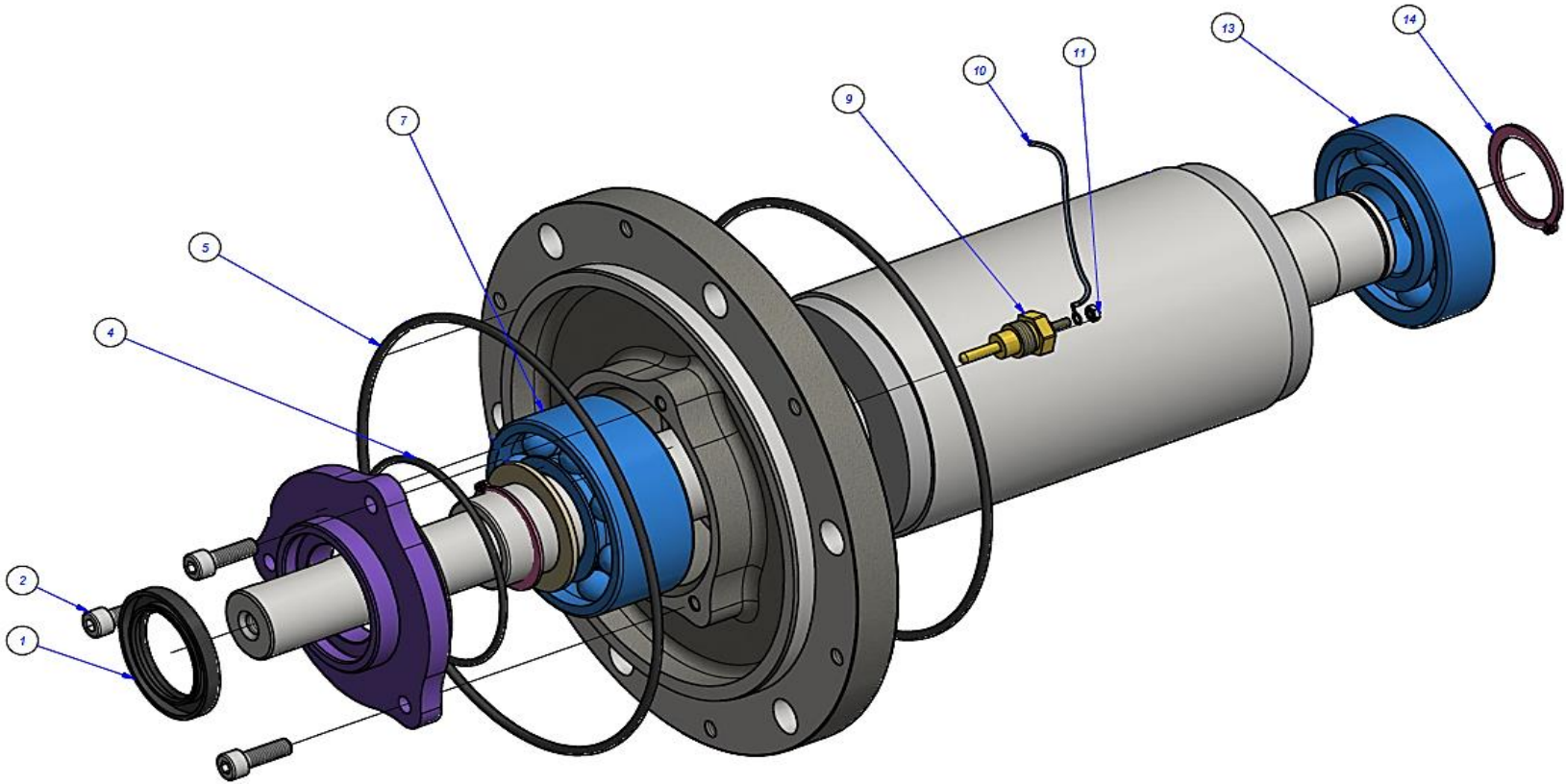
Dwg. #	Item	Description	Qty.
1	U188	Base for EYS Chopper Pump (7.5-15hp)	1
2	R428	M10x25mm SS Socket Head Bolt	14
3	J201	Blade Bed Assy. for EYS Sub. Pump (10hp)	1
4	T732	Impeller Housing for EYS Sub. Pump (15hp)	1
5	K823	M10x40mm SS Socket Head Bolt	1
6	B340	Turning Blade Squeezing Ring (10-15hp)	1
7	E322	Turning Blade for EYS Sub. Pump (10-15hp)	1
8	G628	Impeller for 10hp EYS Submersible Pump	1
9	M214	Mechanical Seal for EYS Sub. Pump (10hp-15hp)	1
10	C462	Casting Neck for EYS Sub. Pump (10-15hp)	1
11	P722	Pump Spindle Key for EYS Sub. Pump (7.5-15hp)	2
12	T871	M10x30mm SS Socket Head Bolt	18
15	D730	M8x25mm SS Socket Head Bolt	4
17	S670	M6x50mm SS Socket Head Bolt	2
18	W361	Cable Clamp for EYS Sub. Chopper Pumps	1
20	Z666	M6 SS Nut A2	2
22	M766	M12x35mm SS Hex Bolt	6
23	U111	Stopper/Plug M16x1.5mm	1

EYS 15hp (DP11) Submersible Chopper Pump
Blade Bed Assembly



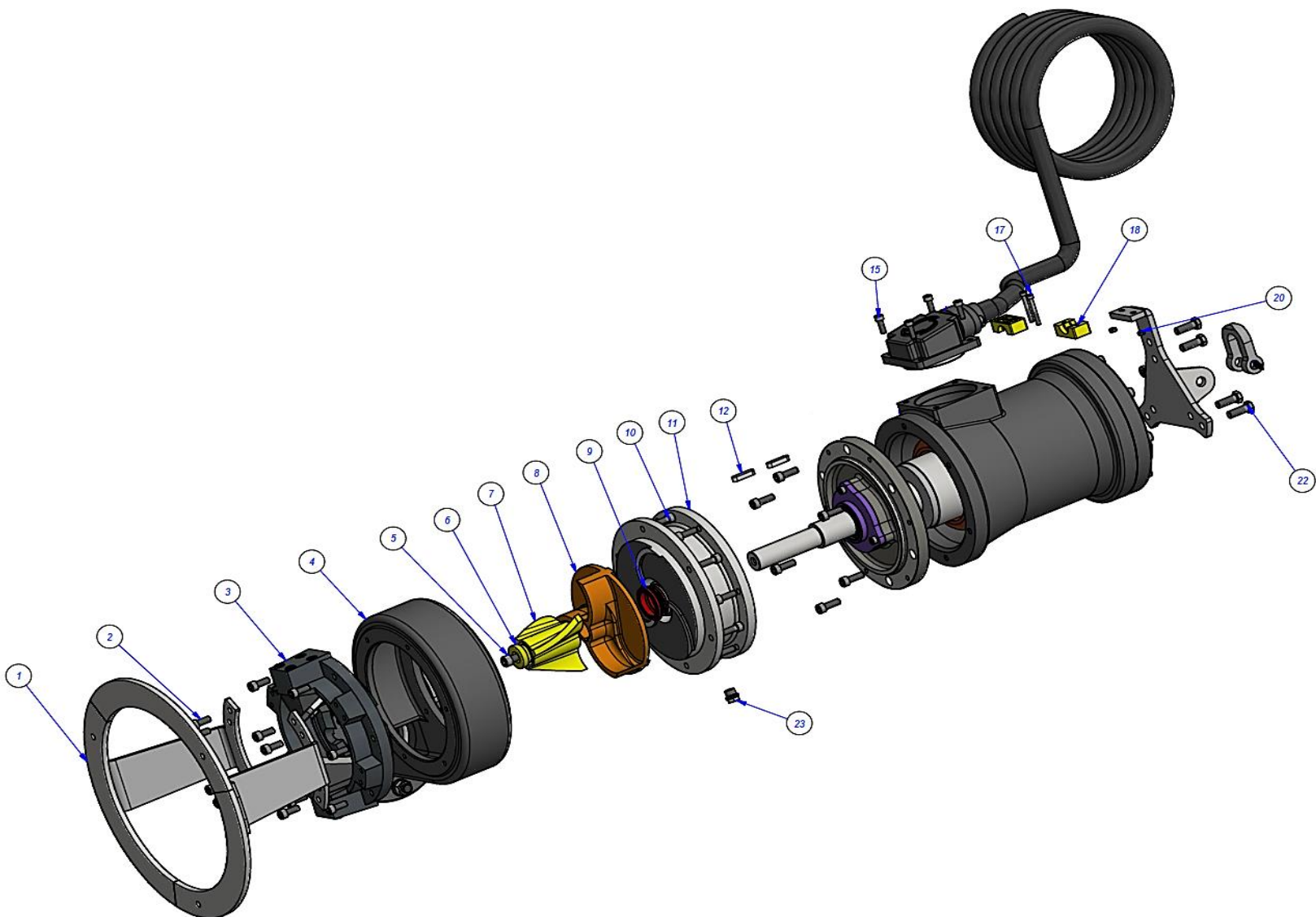
Dwg. #	Item	Description	Qty.
1	Q486	M10x50mm SS Socket Head Bolt	8
2	V486	Blade for EYS Submersible Pump	2
3	T539	M10 x 25mm Zinc Hex Bolt	4
4	C801	Blade Wedge for EYS Submersible Pump	2

EYS 15hp (DP11) Submersible Chopper Pump
Middle Assembly



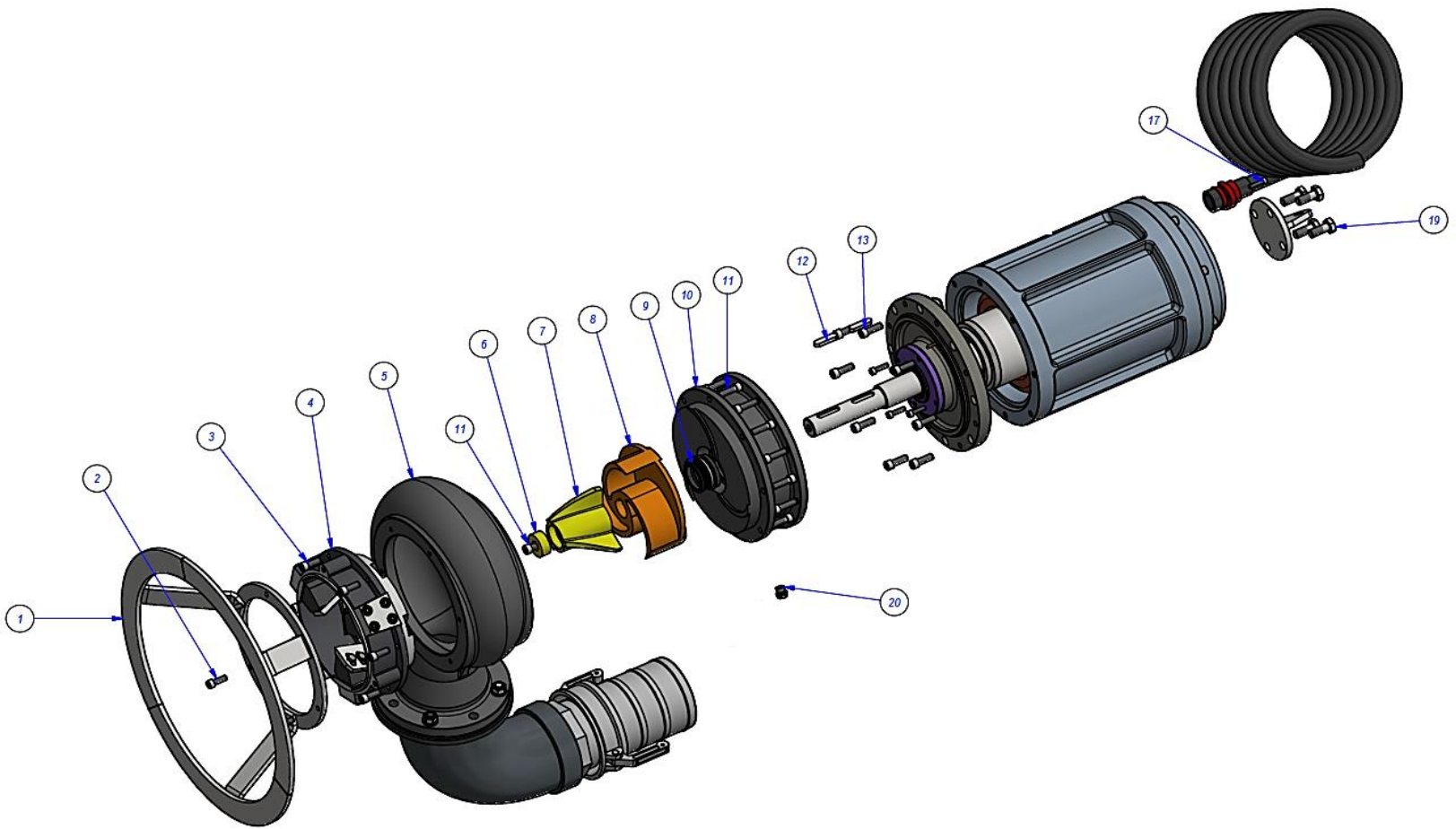
Dwg. #	Item	Description	Qty.
1	O588	Oil Seal for EYS Submers. Pump (10hp-15hp)	1
2	D730	M8x25mm SS Socket Head Bolt	3
4	Y438	100x3mm Oring	1
5	Q688	215x4mm Oring	1
7	J533	Dbl. Row Ball Bearing	1
9	E662	Electrode	1
10	O758	Fiber Optic Cable for Electrode (30cm)	1
11	T663	M4 SS Hex Nut	1
13	G908	6309 Bearing	1
14	S728	DIN 471 45mm External Retaining Ring	2

EYS 15hp (DP11) Submersible Chopper Pump



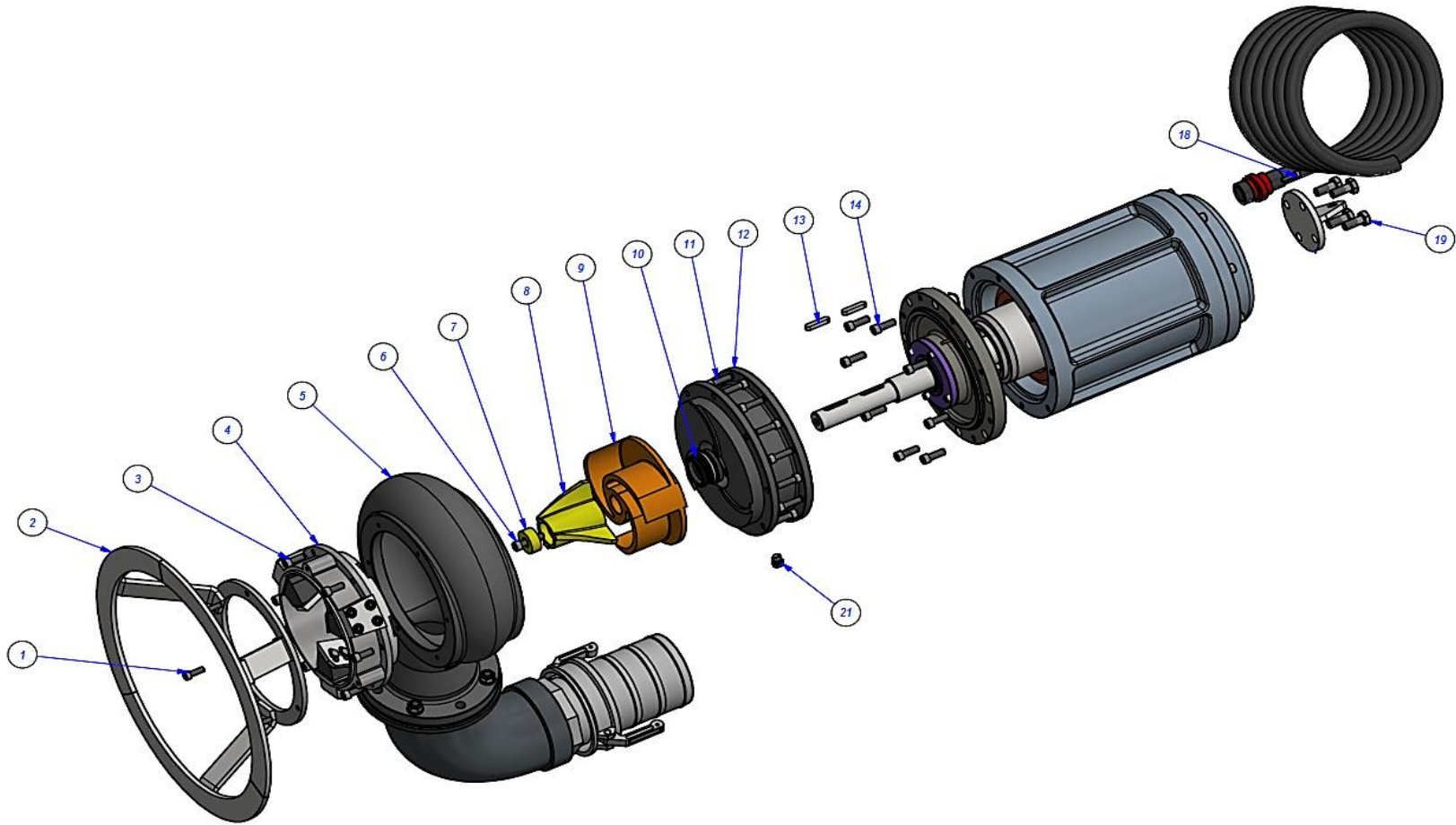
Dwg. #	Item	Description	Qty.
1	U188	Base for EYS Chopper Pump (7.5-15hp)	1
2	R428	M10x25mm SS Socket Head Bolt	14
3	A658	Blade Bed Assy. for EYS Sub. Pump (15hp)	1
4	T732	Impeller Housing for EYS Sub. Pump (15hp)	1
5	K823	M10x40mm SS Socket Head Bolt	1
6	B340	Turning Blade Squeezing Ring (10-15hp)	1
7	E322	Turning Blade for EYS Sub. Pump (10-15hp)	1
8	R768	Impeller for 15HP EYS Submersible Pump	1
9	M214	Mechanical Seal for EYS Sub. Pump (10hp-15hp)	1
10	T871	M10x30mm SS Socket Head Bolt	18
11	C462	Casting Neck for EYS Sub. Pump (10-15hp)	1
12	P722	Pump Spindle Key for EYS Sub. Pump (7.5-15hp)	2
15	D730	M8x25mm SS Socket Head Bolt	4
17	S670	M6x50mm SS Socket Head Bolt	2
18	W361	Cable Clamp for EYS Sub. Chopper Pumps	1
20	Z666	M6 SS Nut A2	2
22	M766	M12x35mm SS Hex Bolt	6
23	U111	Stopper/Plug M16x1.5mm	1

EYS 20hp (DP15) Submersible Chopper Pump



Dwg. #	Item	Description	Qty.
1	R620	Base (20-25hp Chopper Pump)	1
2	T871	M10x30mm SS Socket Head Bolt	3
3	N586	M12x30mm SS Socket Head Bolt	6
4	U641	Blade Bed Assy. for EYS Sub. Pump (20hp)	1
5	D370	Impeller Housing for EYS Sub. Pump (20-25hp)	1
6	O185	Turning Blade Squeezing Ring (20-25hp)	1
7	A234	Turning Blade for EYS Sub. Pump (20hp-25hp)	1
8	D345	Impeller for 20HP EYS Submersible Pump	1
9	D601	Mechanical Seal for EYS Sub. Pump (20hp-25hp)	1
10	Y138	Casting Neck for EYS Sub. Pump (20-25hp)	1
11	W148	M12x40mm SS Socket Head Bolt	17
12	G442	Pump Spindle Key for EYS Sub. Pump (20-25hp)	2
13	N726	M12x35mm SS Socket Head Bolt	8
17	W127	M8x30mm SS Socket Head Bolt	2
19	K150	M16 x 40mm ZINC HEX BOLT	4
20	U111	Stopper/Plug M16x1.5mm	1

EYS 25hp (DP185) Submersible Chopper Pump



Dwg. #	Item	Description	Qty.
1	T871	M10x30mm SS Socket Head Bolt	3
2	R620	Base (20-25hp Chopper Pump)	1
3	N586	M12x30mm SS Socket Head Bolt	6
4	U766	Blade Bed Assy. for EYS Sub. Pump (25hp)	1
5	D370	Impeller Housing for EYS Sub. Pump (20-25hp)	1
6	Y351	M12x50mm SS Socket Head Bolt	1
7	O185	Turning Blade Squeezing Ring (20-25hp)	1
8	A234	Turning Blade for EYS Sub. Pump (20hp-25hp)	1
9	K347	Impeller for 25HP EYS Submersible Pump	1
10	D601	Mechanical Seal for EYS Sub. Pump (20hp-25hp)	1
11	W148	M12x40mm SS Socket Head Bolt	16
12	Y138	Casting Neck for EYS Sub. Pump (20-25hp)	1
13	G442	Pump Spindle Key for EYS Sub. Pump (20-25hp)	2
14	N726	M12x35mm SS Socket Head Bolt	8
18	W127	M8x30mm SS Socket Head Bolt	2
19	K150	M16 x 40mm ZINC HEX BOLT	4
21	U111	Stopper/Plug M16x1.5mm	1