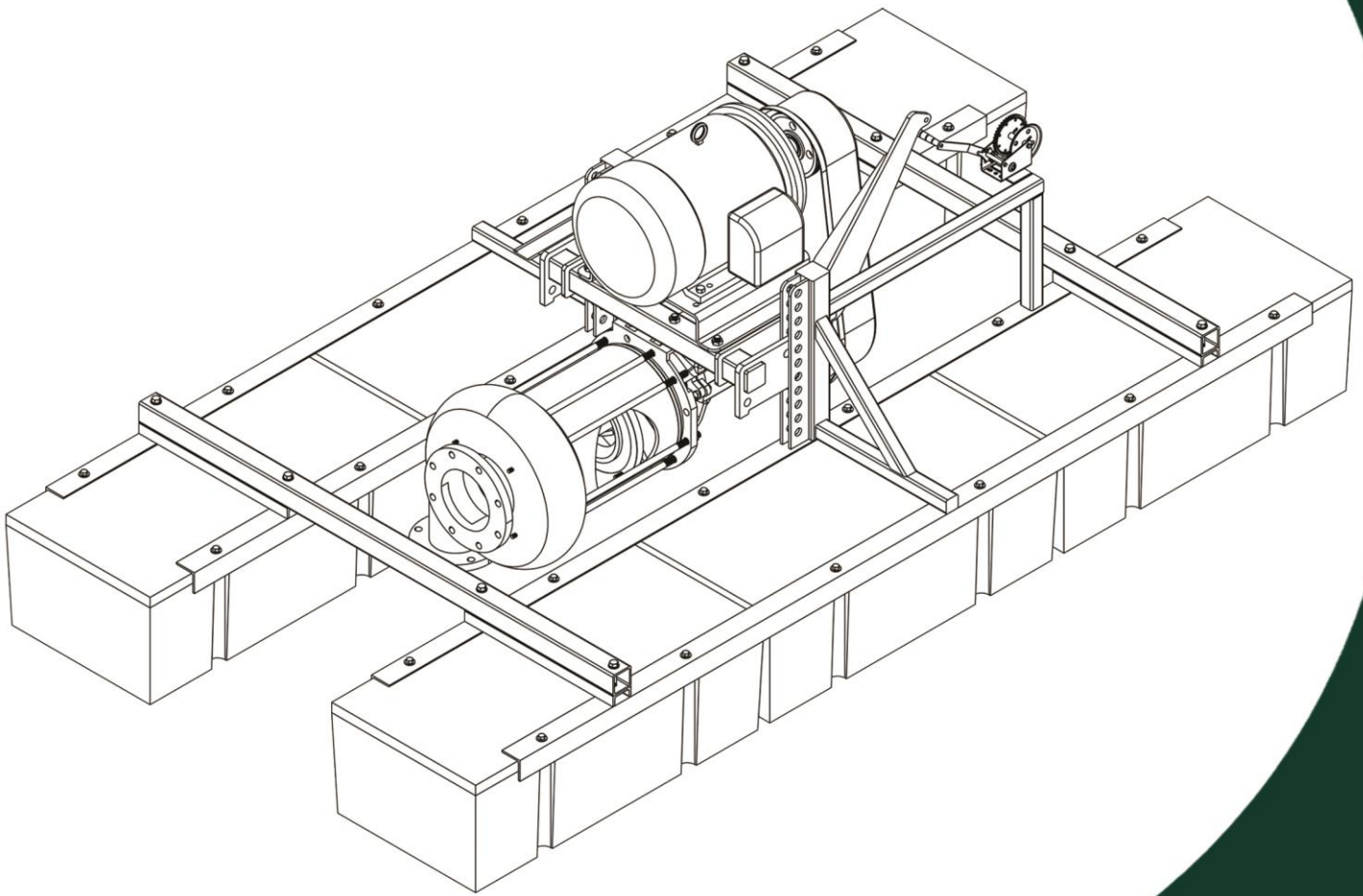




# GreenLine

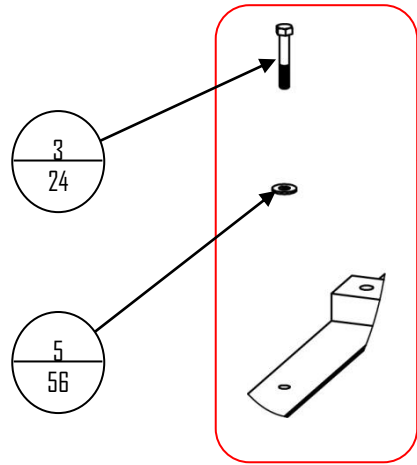
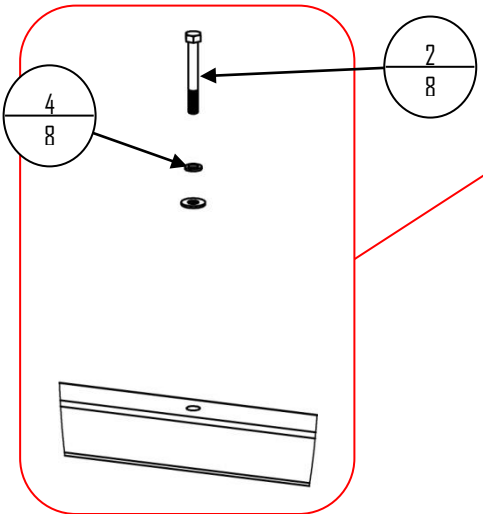
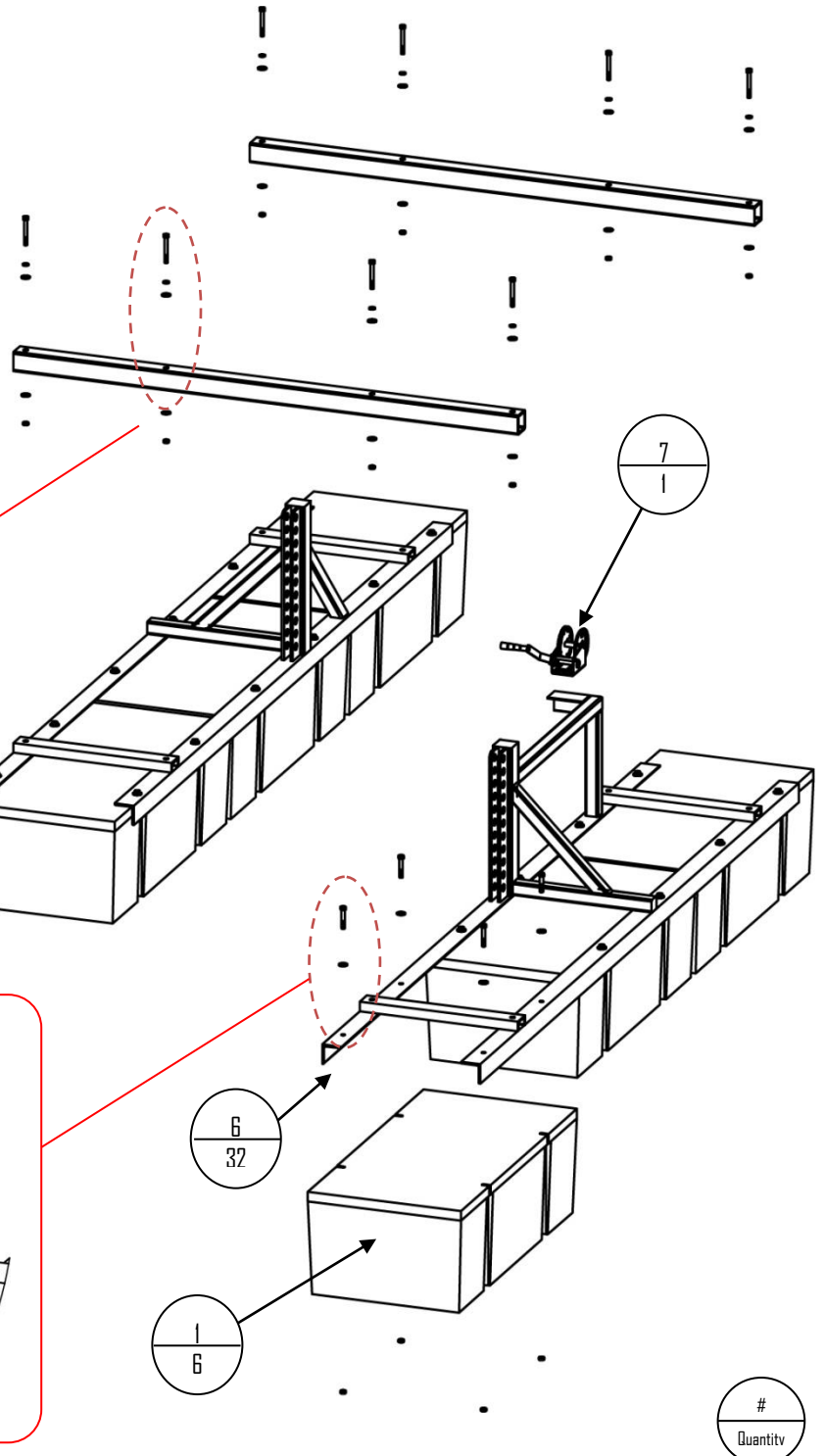
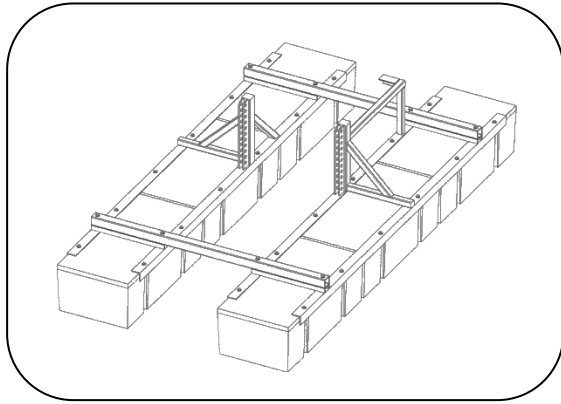
**PREMIUM SLURRY PUMPS**

**Part Manual**





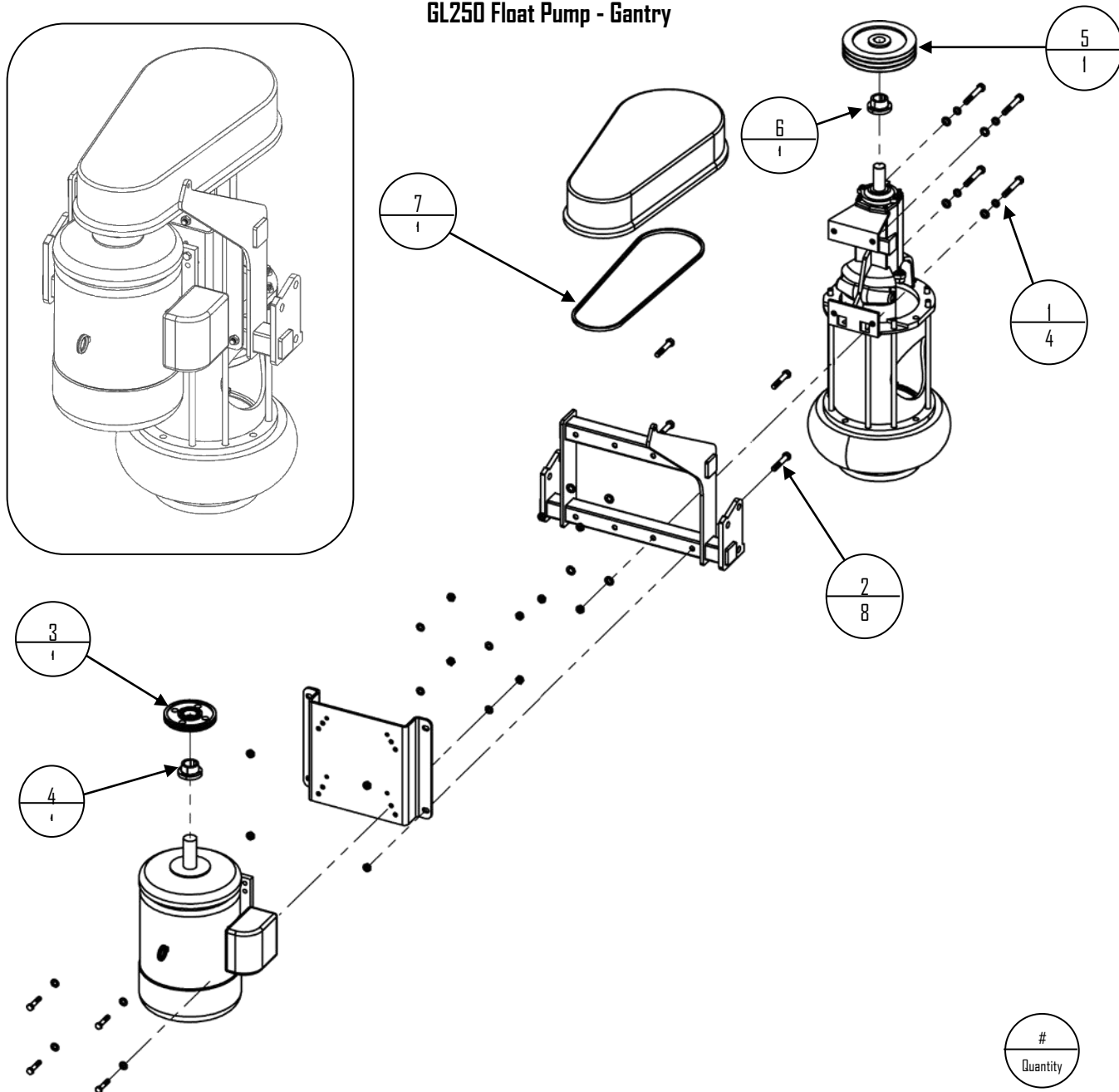
# GL250 Float Pump - Pontoon Frame



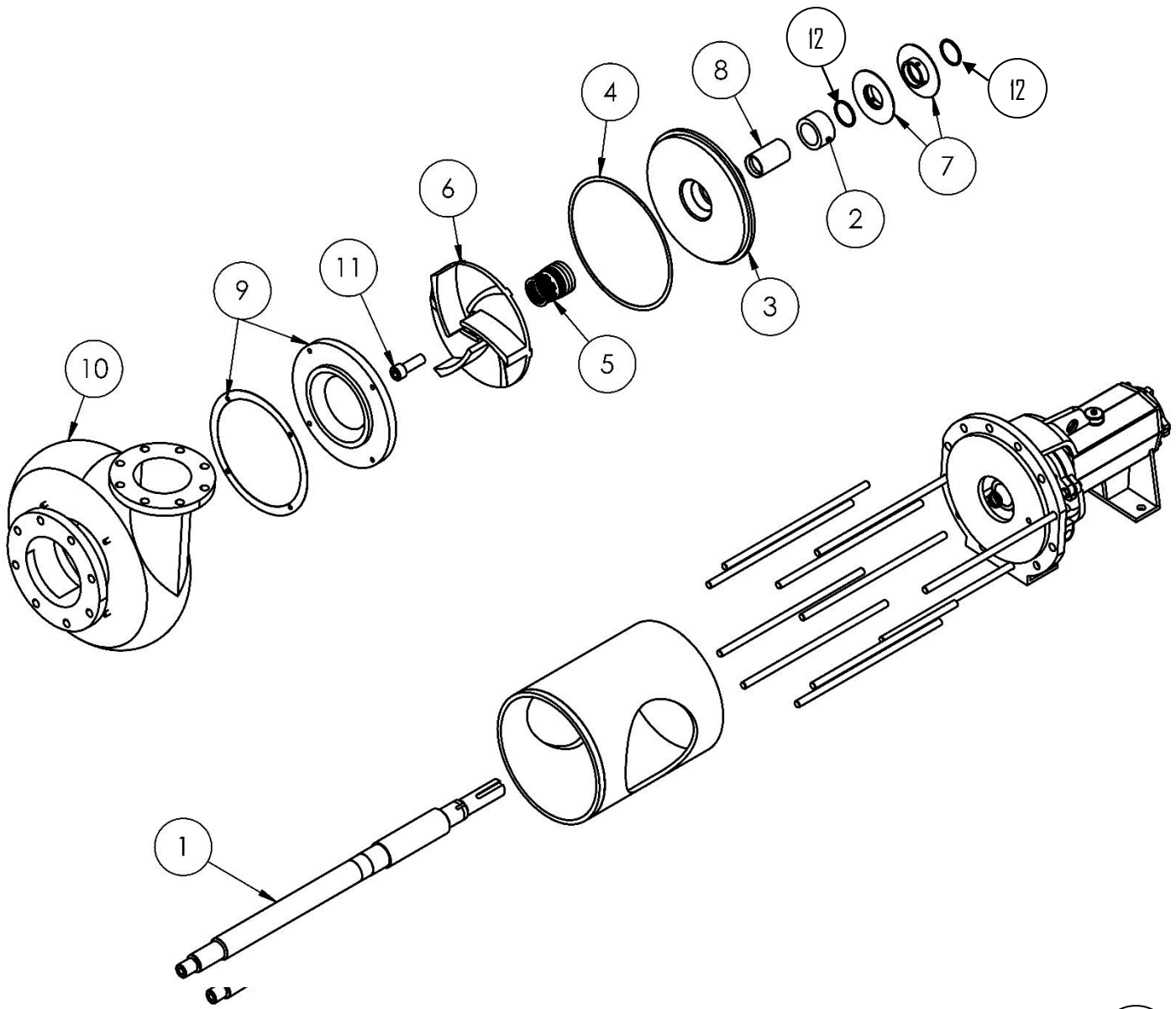
#  
Quantity

Label	Part #	Description
1	J462	Float Pontoon 24" X 48" X 20"
2	0565	1/2"-13 X 4" S/S Bolt
3	K140	1/2"-13 X 3" S/S Bolt
4	Z370	1/2" Lock Washer
5	U124	1/2" Flat Washer
6	F567	1/2" - 13 SS Nylock Nut
7	---	Hand Winch

### GL250 Float Pump - Gantry

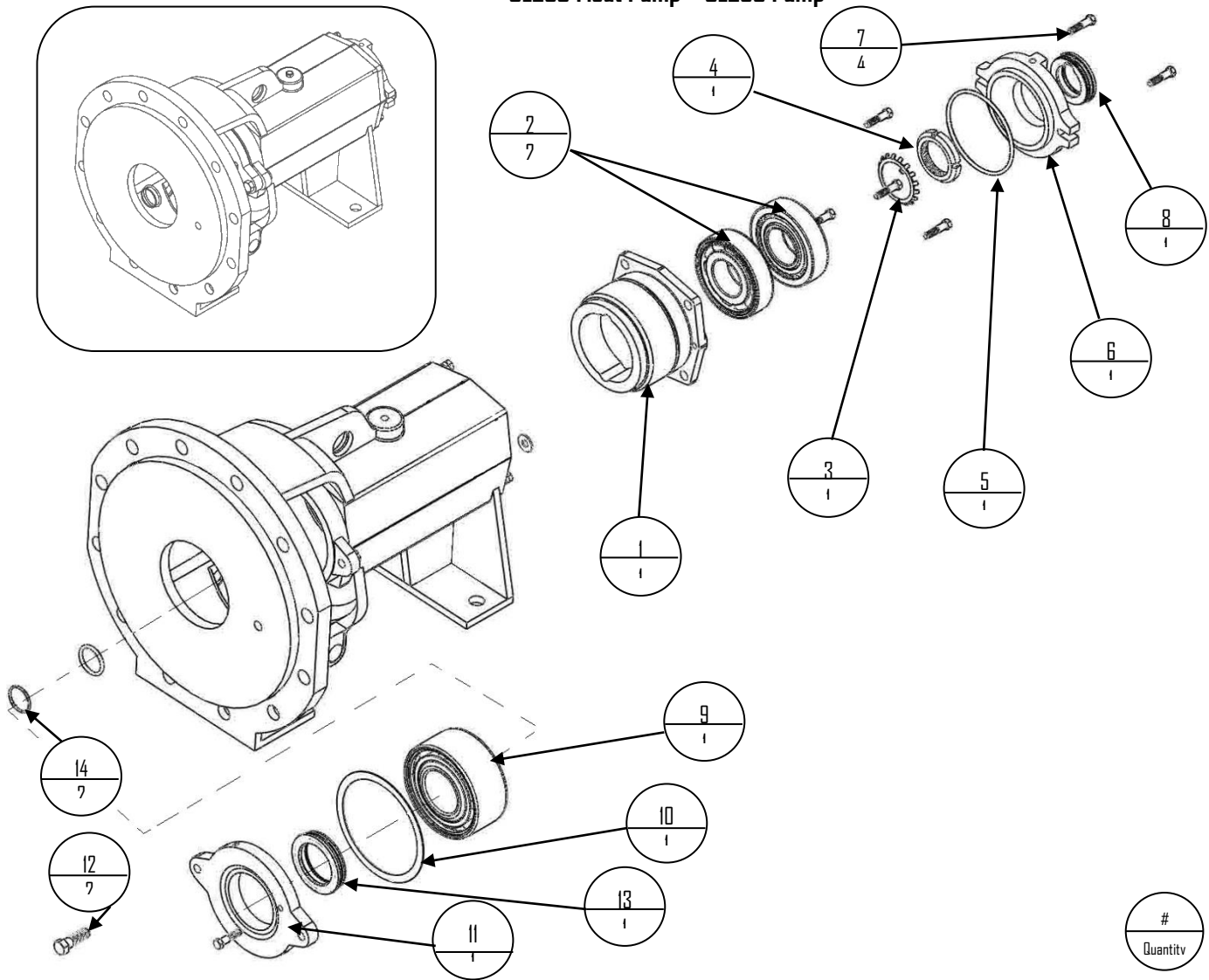


Label	Part #	Description
1	M470	3/4"-10 X 5" S/S Bolt
	N565	3/4" Lock Washer
	0839	3/4" S/S, Flat Washer
	Z843	3/4" - 10 Zinc Hex Nut
2	B718	5/8"-11 X 3" S/S Bolt
	N328	5/8" Hex Nut
	V310	5/8" Flat Washer
3	X444	4B Groove 8.6 SK Sheave (Motor)
4	0333	QD Bushing SK 2-3/8" (Motor)
5	V709	4B Groove 12.4 SK (Pump)
6	Y145	QD Bushing SK 7-3/8" (Pump)
7	L118	B-85 V Belt



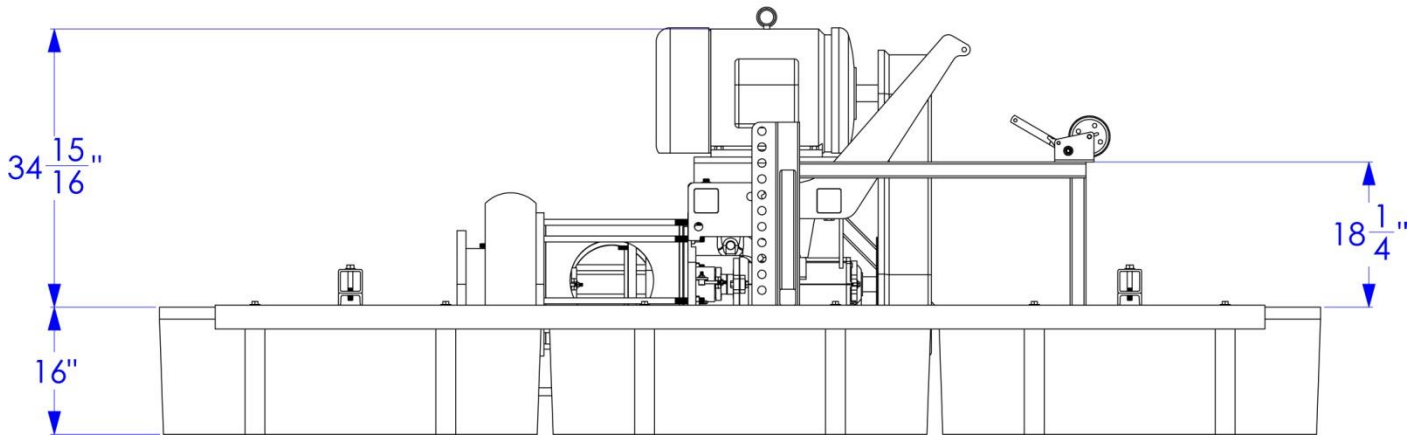
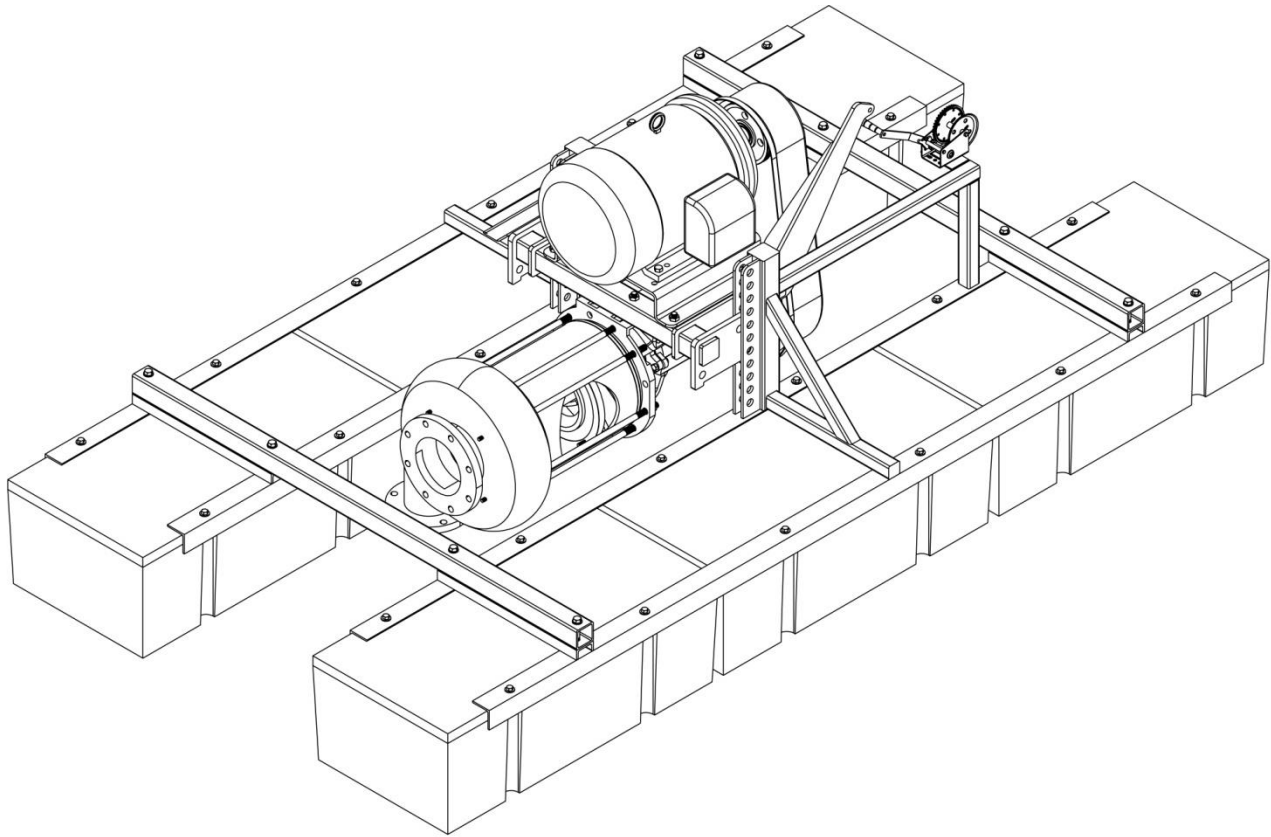
Label	Part #	Description	Label	Part #	Description
1	Y685	Float Pump Shaft	9	L721	5" X 4" X 11" Wear Pad Kit (Heat Treated)
2	0644	Brass Bushing		Z212	6" X 5" X 11" Wear Pad Kit (Heat Treated)
3	0648	Stuffing Box		T453	6" X 5" X 14" Wear Pad Kit (Heated Treated)
4	E715	Housing Fluid End Gasket		E558	8" X 6" X 14" Wear Pad Kit (Heat Treated)
5	K704	Mechanical Seal		F820	10" X 8" X 14" Wear Pad Kit (Heat Treated)
6	V327	6" X 5" X 11" - 3 Blade Impeller	10	X478	5" X 4" X 11" Housing ASM
	P833	6" X 5" X 14" - 3 Blade Impeller		Y967	6" X 5" X 14" Housing ASM
	T781	8" X 6" X 11" - 3 Blade Impeller		J301	8" X 6" X 14" Housing ASM
	B985	8" X 6" X 14" - 3 Blade Impeller		S291	10" X 8" X 14" Housing ASM
7	L841	Stainless Steel Slinger			
8	E492	Stainless Steel Shaft Sleeve	11	V278	3/4 X 2- 1/4 Hex Bolt
			12	F413	SS Sling O Ring GRN Line

## GL250 Float Pump - GL250 Pump

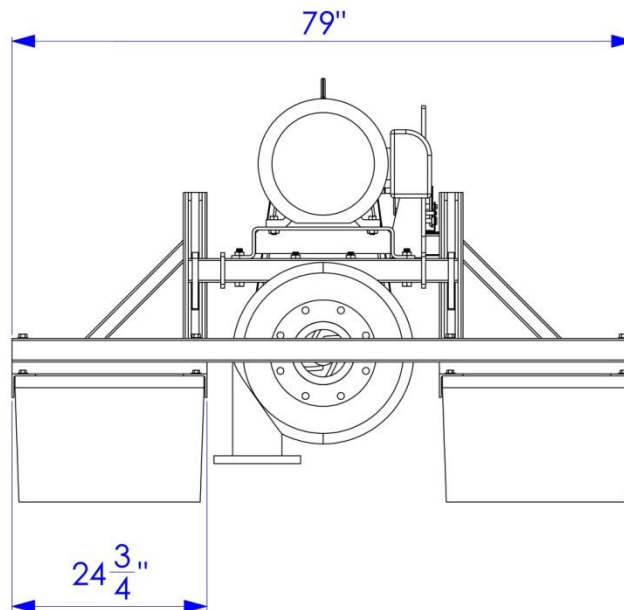
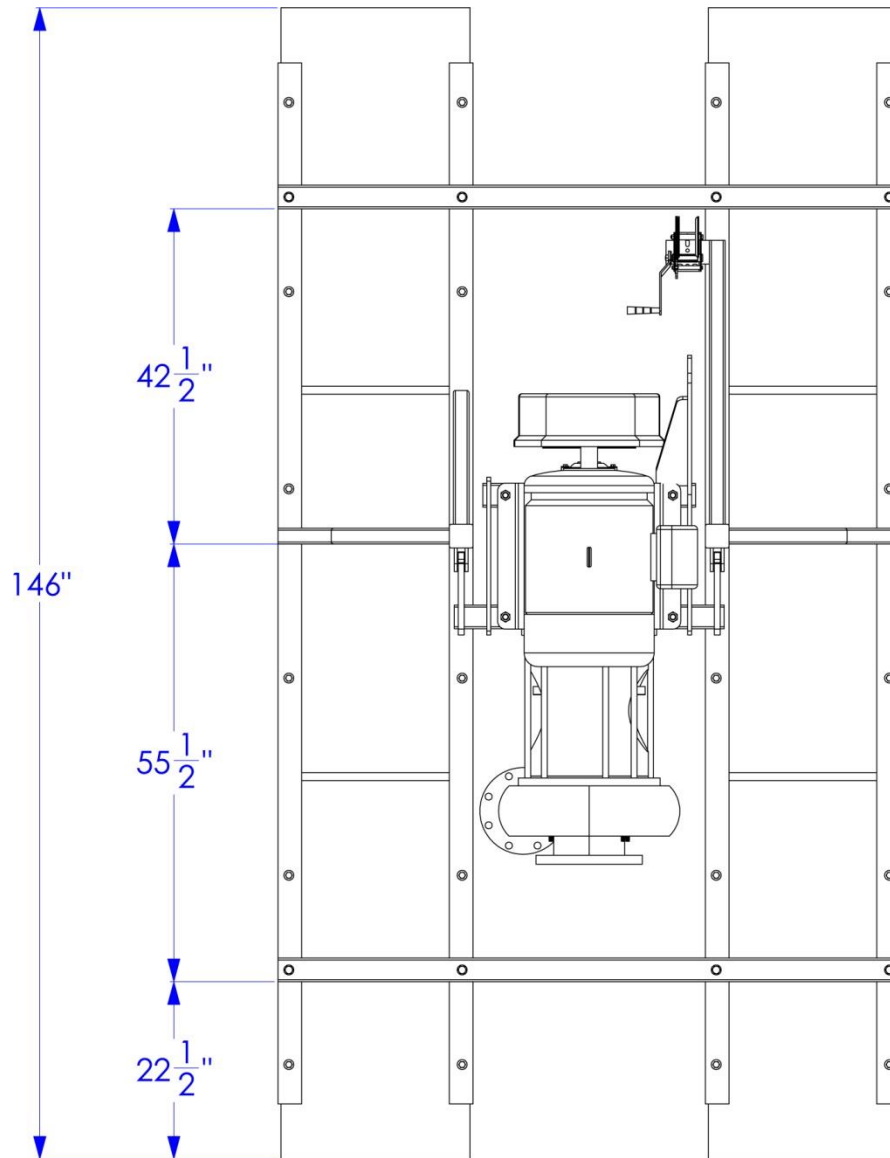


Label	Part #	Description
1	N811	Outboard Bearing Housing
2	L679	Outboard Bearing
3	G818	Bearing Lock Washer
4	D840	Bearing Lock Nut
5	N314	Outboard Bearing Cover O-Ring
6	K681	Outboard Bearing Cover
7	A274	3/8" X 1" Outboard Bearing Cover Bolt
8	P226	Outboard Labyrinth Seal
9	O597	Inboard Bearing
10	K729	Inboard Bearing Cover Gasket
11	C866	Inboard Bearing Cover
12	M226	3/8" X 1/2" Inboard Cover Bolt
13	C218	Inboard Brass Labyrinth Seal
14	M613	Shaft Sleeve O-Ring

# GL250 Float Pump - Overall Dimensions



# GL250 Float Pump - Overall Dimensions





---

**For Technical Support, to order Replacement Parts, or for questions about other products, please contact your local dealer.**

---