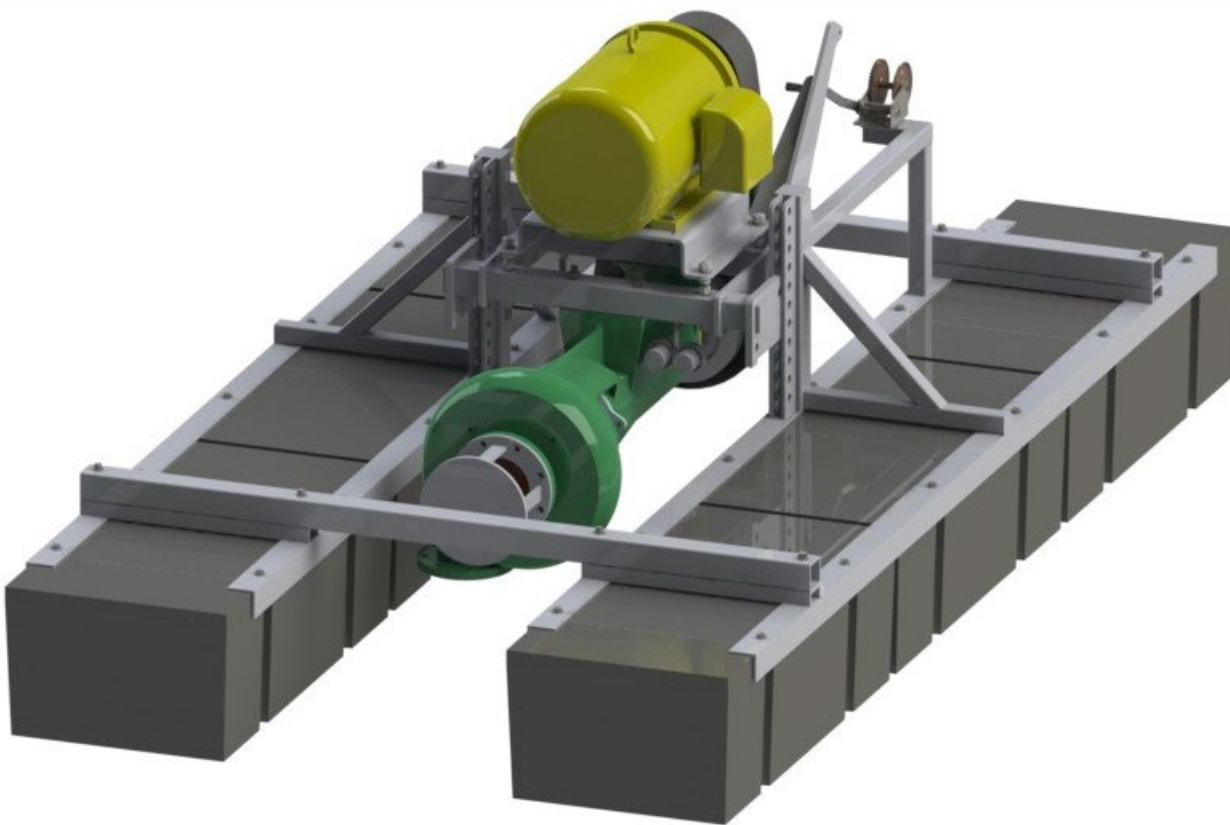




GreenLine

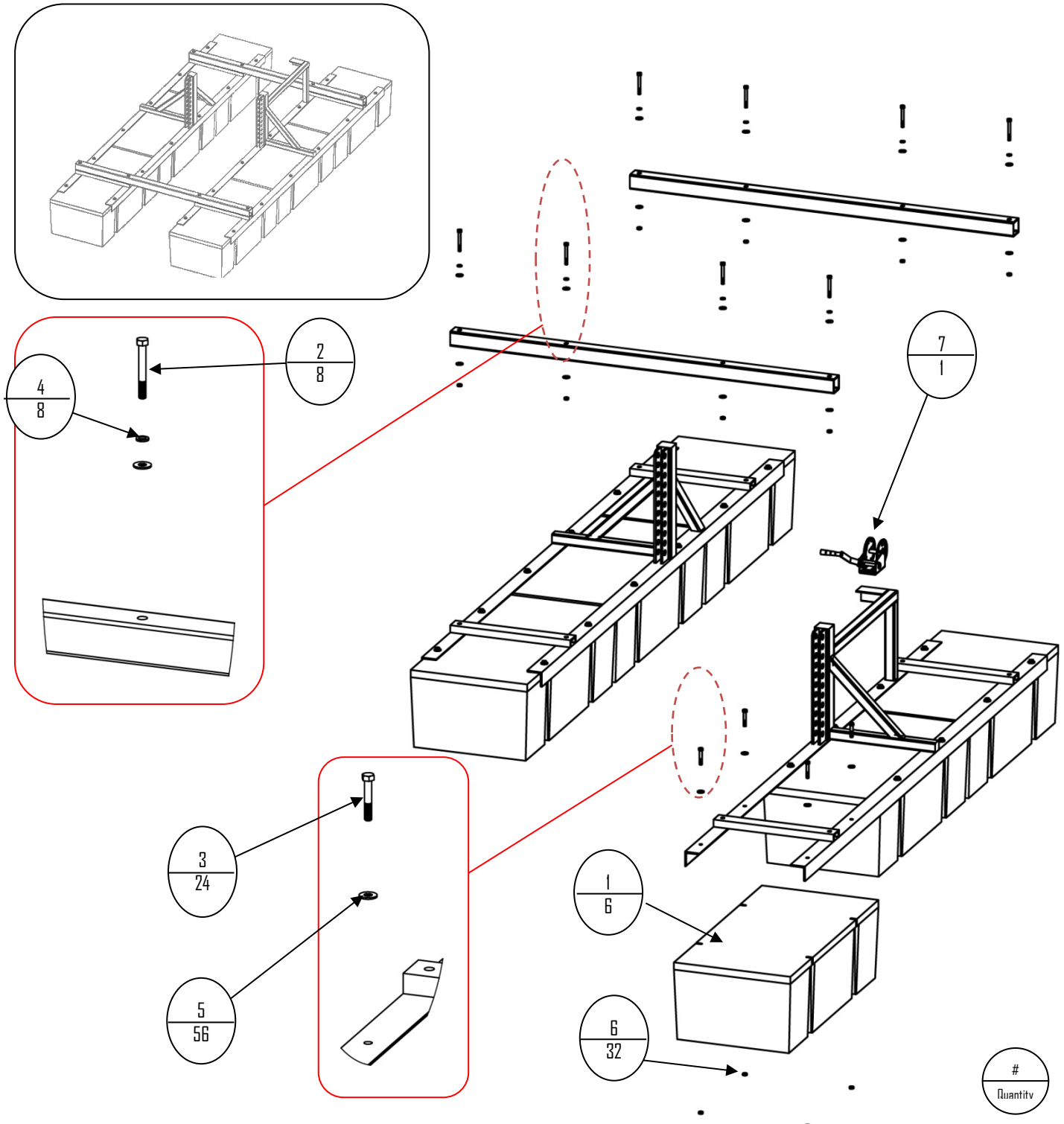
Premium Slurry Pumps

Part Manual



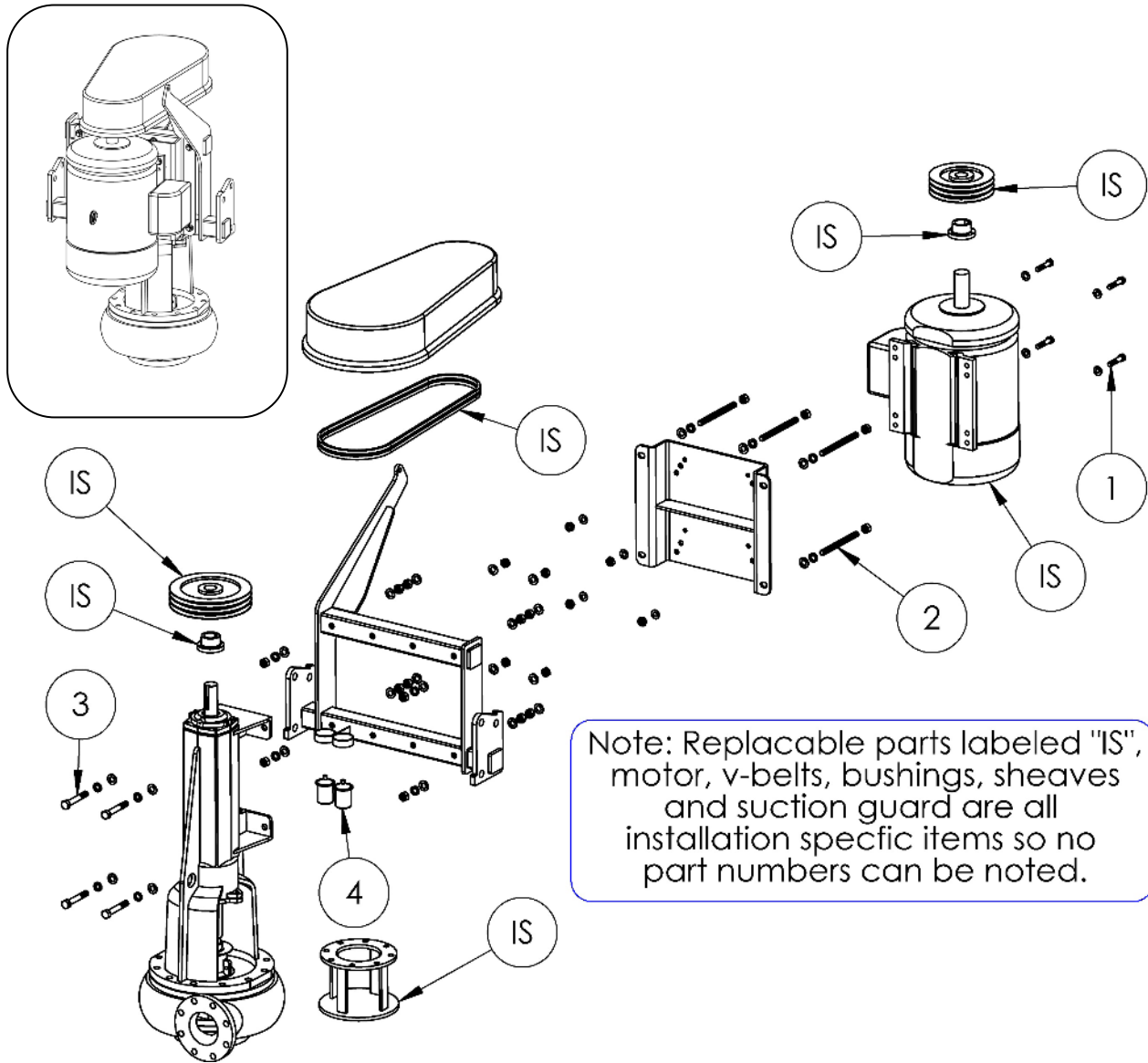
GL250 Float Pump
(Built After 10/01/17)

GL250 Float Pump - Pontoon Frame



Label	Part #	Description
1	J462	Float Pontoon 24" X 48" X 20"
2	0565	½"-13 X 4" S/S Bolt
3	K140	½"-13 X 3" S/S Bolt
4	Z370	½" Lock Washer
5	U124	½" Flat Washer
6	E411	½" - 13 SS Nylock Nut
7	D704	Hand Winch

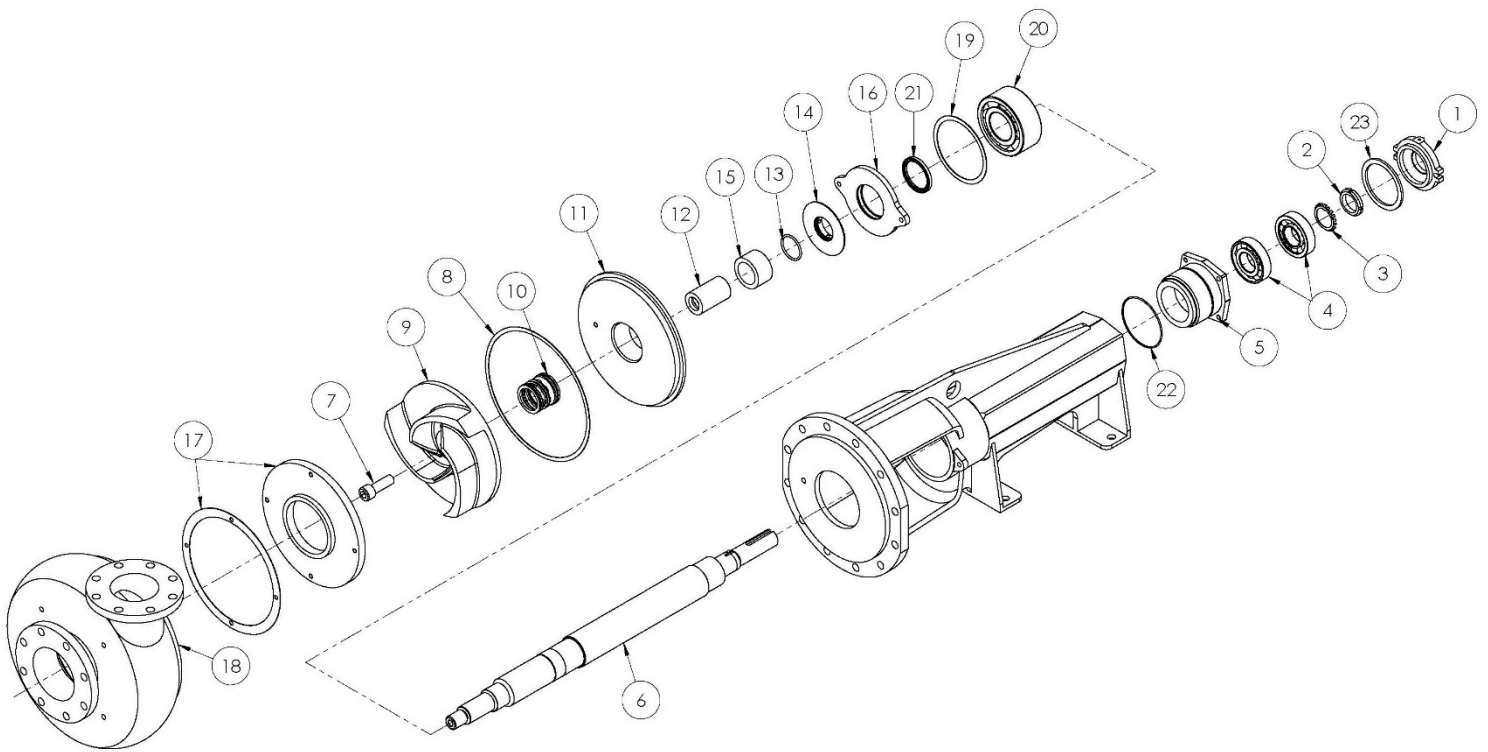
GL250 Float Pump - Gantry



Note: Replacable parts labeled "IS", motor, v-belts, bushings, sheaves and suction guard are all installation specific items so no part numbers can be noted.

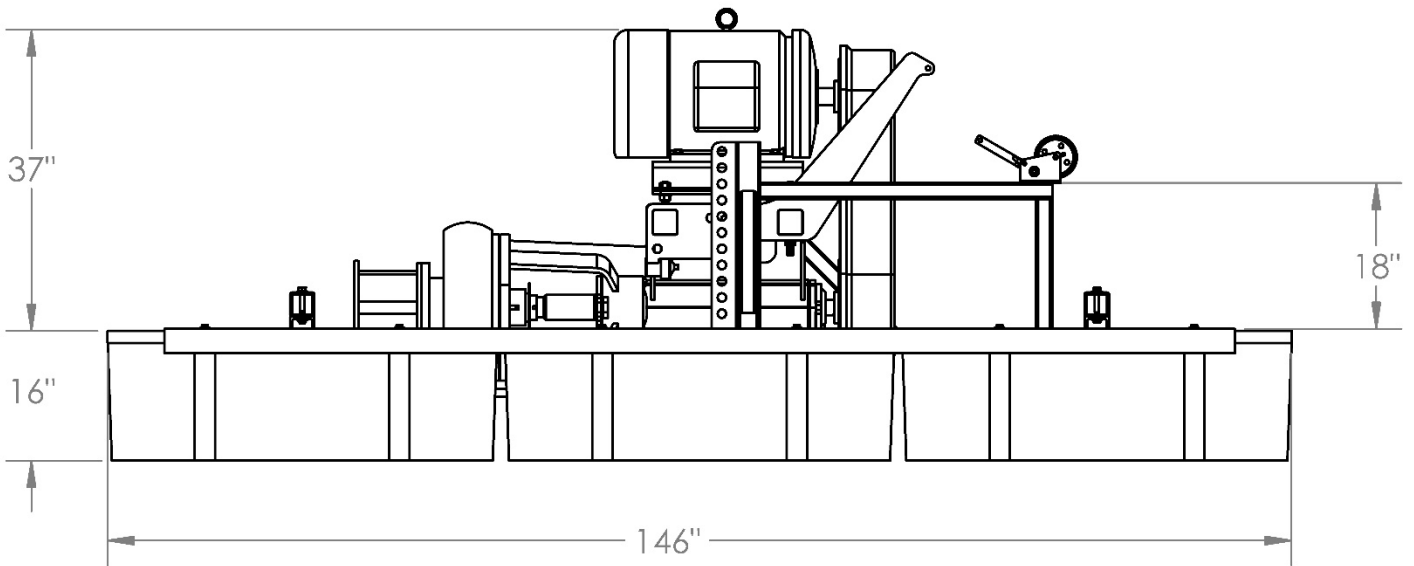
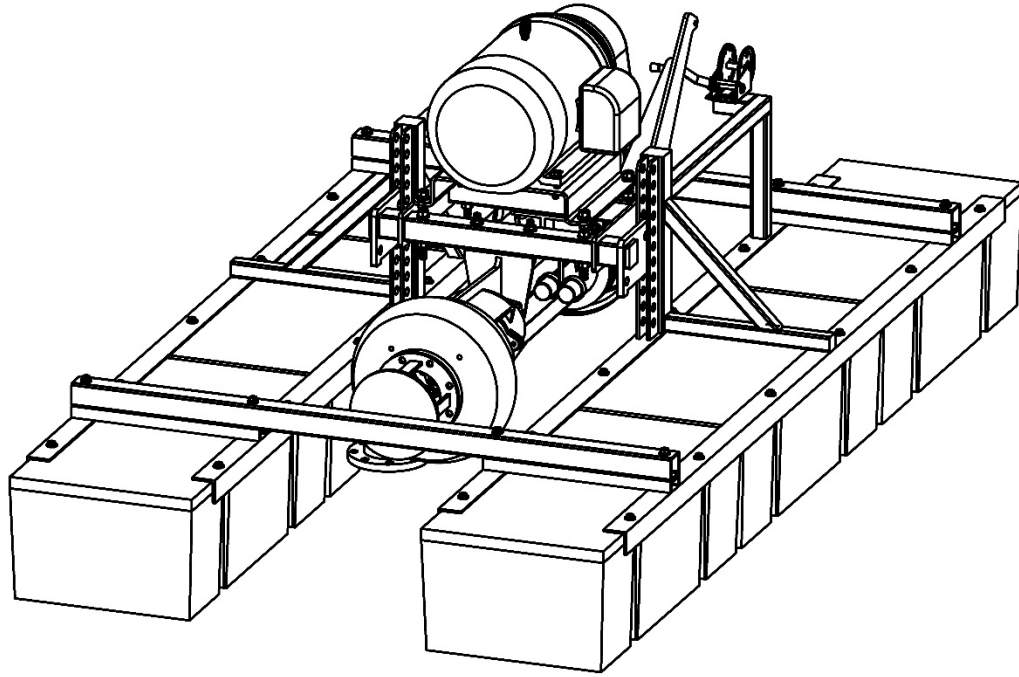
Label	Part #	Description
1	B718	5/8" - 11 X 3" Zinc Hex Head Bolt
	N328	5/8"-11 Zinc Hex Nut
	V310	5/8" Zinc Flat Washer
	J129	5/8" Zinc Lock Washer
2	Y688	3/4"-10 x 9" Zinc All thread
	P563	3/4"-10 Zinc Hex Head Nut
	N565	3/4" Zinc Flat Washer
	T339	3/4" Zinc Lock Washer
3	M470	3/4"-10 x 5" Zinc Hex Head Bolt
4	E698	Time Release Grease Pack

GL250 Float Pump – GL250 Pontoon Stretch Pump

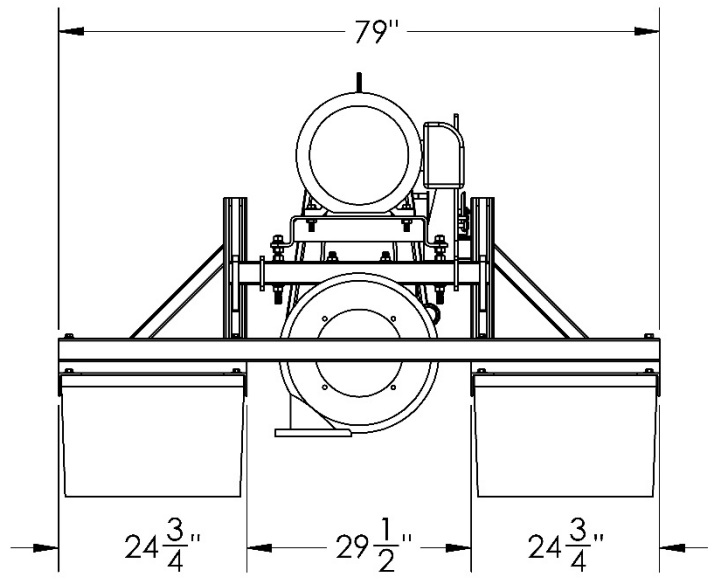
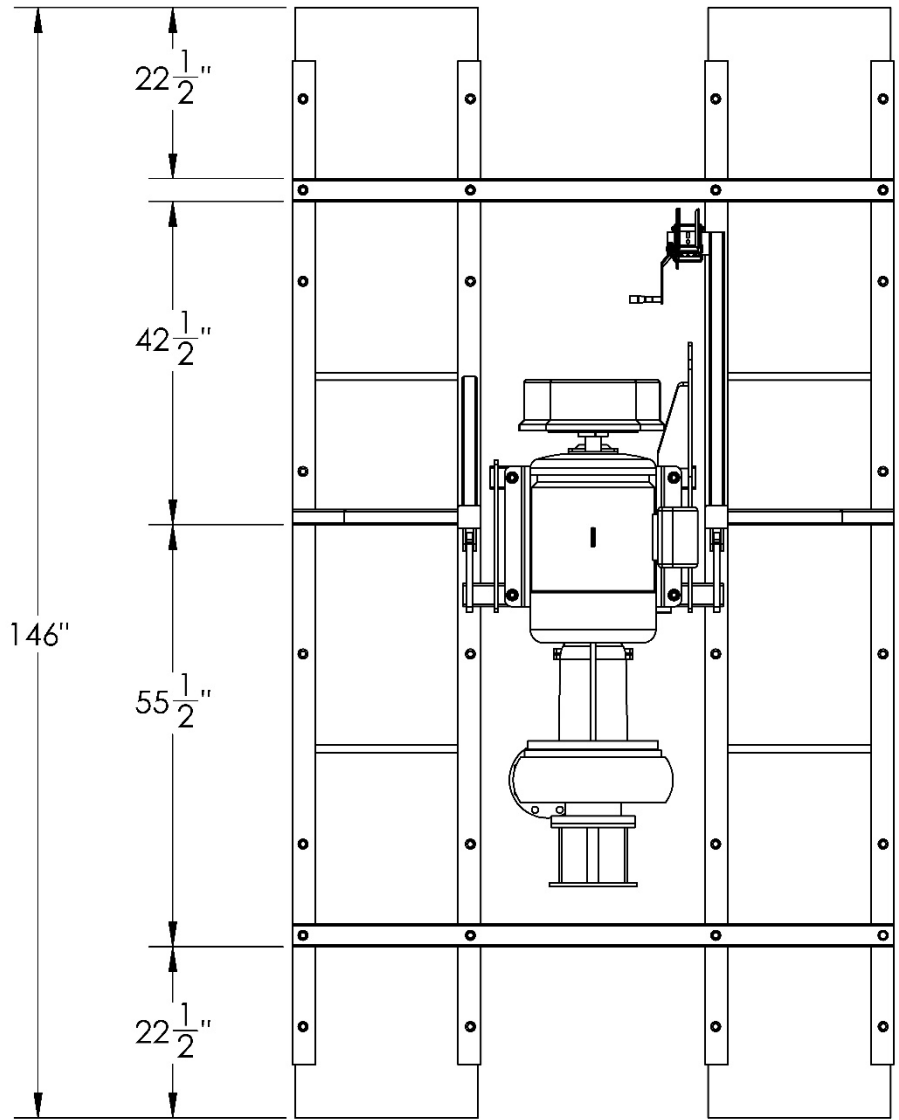


Label	Part #	Description	Label	Part #	Description
1	K681	Outboard Bearing Cover	14	L841	Stainless Steel Slinger
2	O840	Bearing Lock Nut	15	O644	Brass Bushing
3	G818	Bearing Lock Washer	16	K859	Inboard Bearing Cover
4	L679	Outboard Bearing (Zea)	17	L721	5" X 4" Wear Pad (Heat Treated)
5	R688	GL 250 Outboard Bearing Housing		F163	6" X 5" Wear Pad (Heat Treated)
6	P451	Float Pump Shaft		Y825	8" X 6" Wear Pad (Heat Treated)
7	V278	¾" X 2-1/4" LH Thread Impeller Bolt		X826	10" X 8" Wear Pad (Heat Treated)
8	E715	Housing Fluid End Gasket	18	X478	5" X 4" X 14" Housing ASM
9	E130	5" X 4" X 14" – 3 Blade Impeller		Y967	6" X 5" X 14" Housing ASM
	P833	6" X 5" X 14" – 3 Blade Impeller		J301	8" X 6" X 14" Housing ASM
	B985	8" X 6" X 14" – 3 Blade Impeller		S291	10" X 8" X 14" Housing ASM
	Z593	10" X 8" X 14" – 5 Blade Impeller	19	S777	Bearing Cap Gasket
10	K704	Mechanical Seal	20	U377	Inboard Bearing
11	O648	Stuffing Box	21	L387	Inboard Lip Seal
12	E492	Stainless Steel Shaft Sleeve	22	L234	O-Ring for Bearing Housing DT Floater
13	F413	Slinger O-Ring	23	A792	Outboard Lip Seal

GL250 Float Pump - Overall Dimensions



GL250 Float Pump - Overall Dimensions



For Technical Support, to order Replacement Parts, or for questions about other products, please contact your local dealer.

