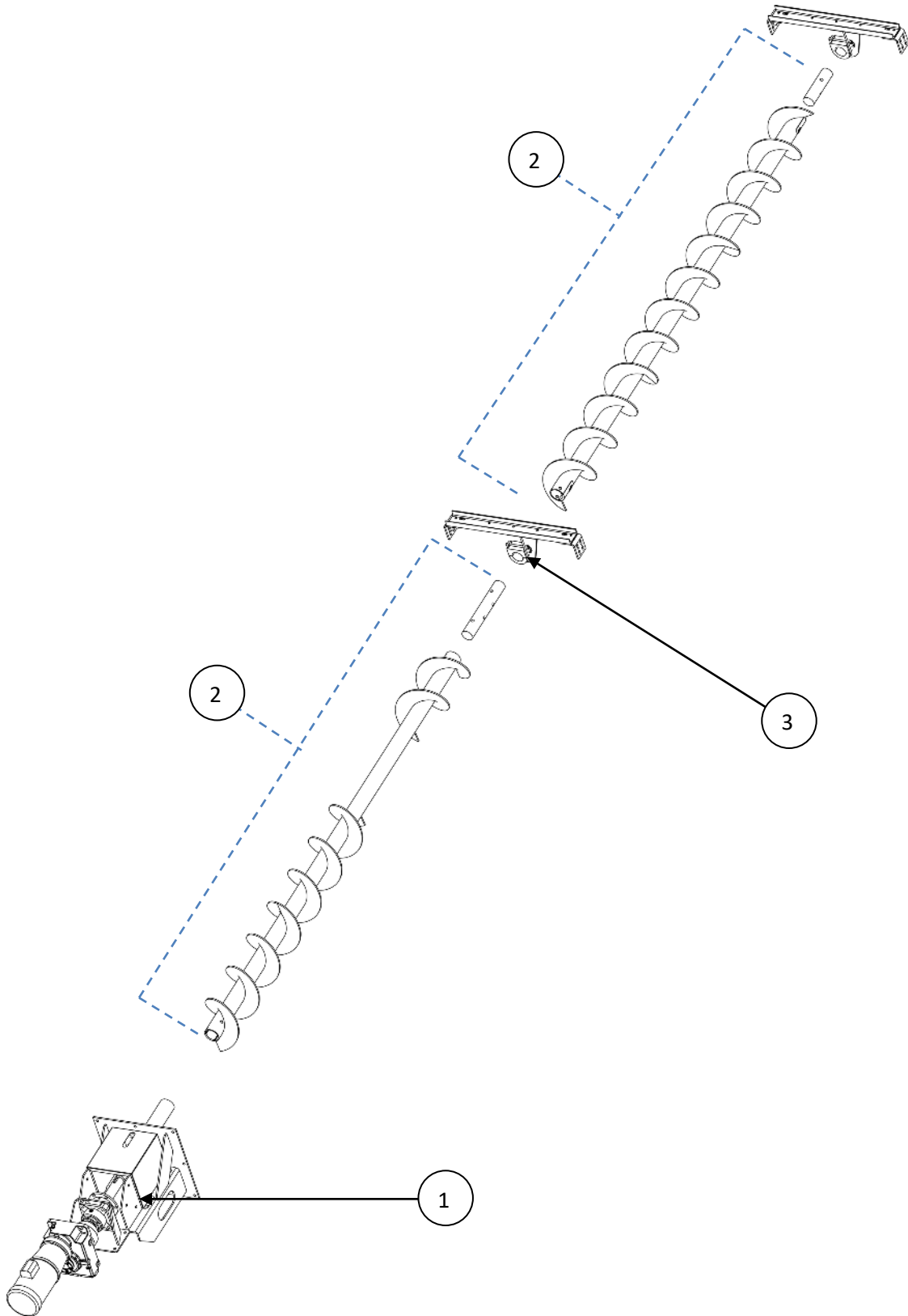


For:

**Manure Cross Auger**

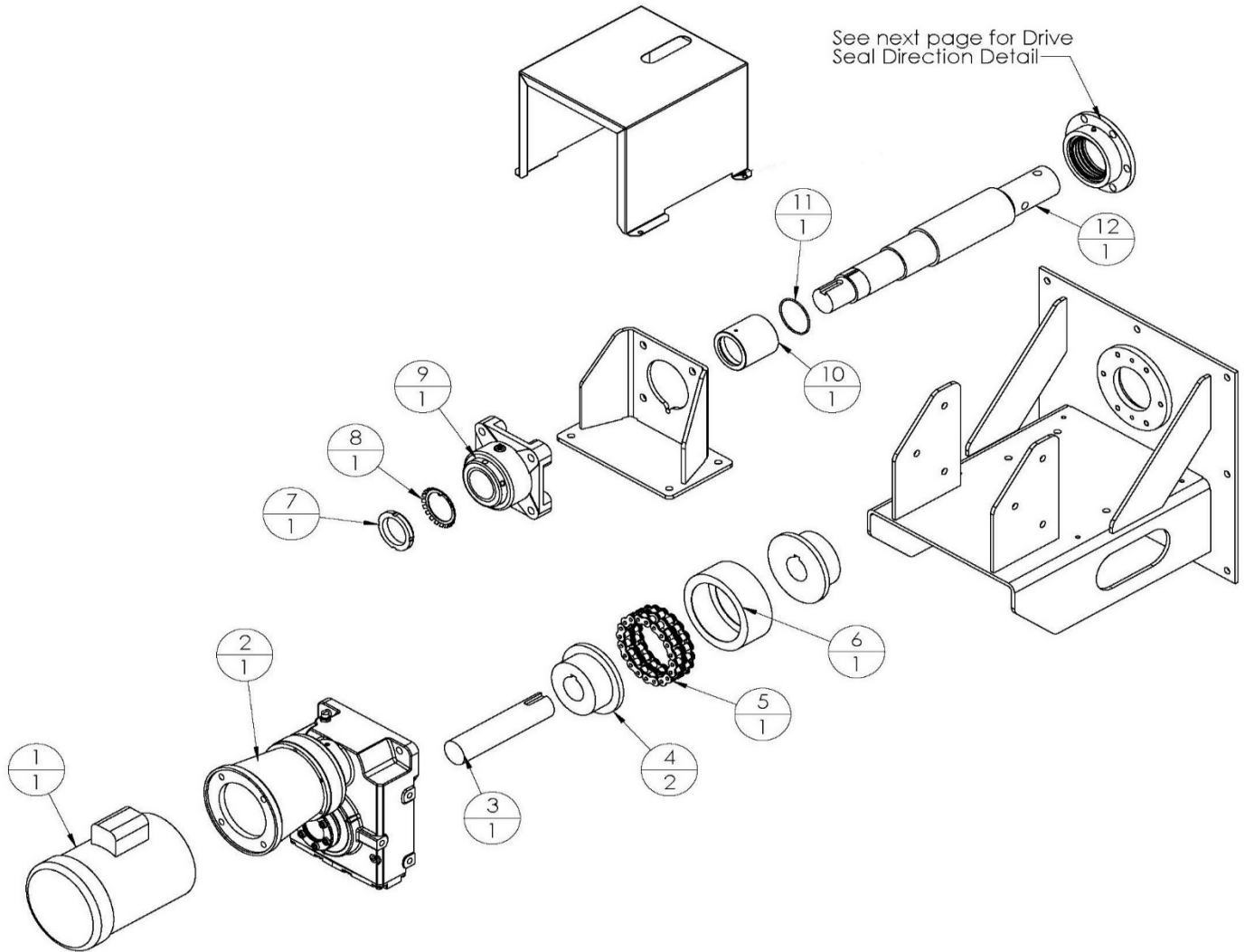


## Manure Cross Auger - Components



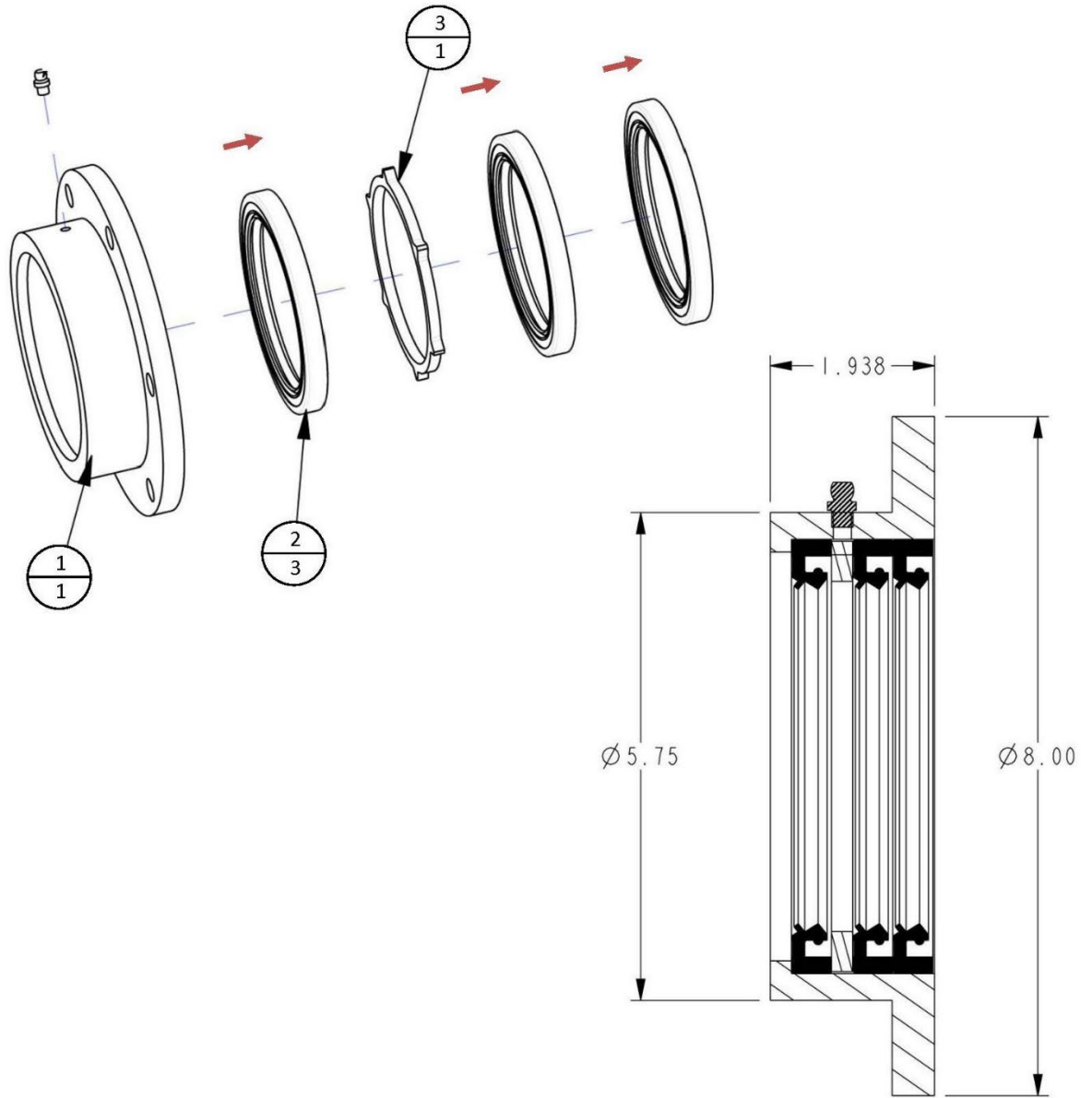
Label	Part #	Description
1	---	Drive Assembly
2	---	Auger assembly
3	---	Hanger Bearing Assembly

## Manure Cross Auger- Motor ASM



Label	Part #	Description
1	-	Motor (Job Specific)
2	-	Gearbox (Job Specific)
3	P419	Cross Auger Jack Shaft
4	M233	8020 2-7/16BS Chain Coupler Half (CA)
5	Z688	#80 Chain Coupling Loop. (SC, CA)
6	Z447	Chain Coupling Cover. (SC, SA)
7	J713	Bearing Nut Tan-15
8	T608	Bearing Nut Lockwasher TW-116
9	Q433	Dodge 2-15/16" 4-Bolt SQ Flange Bearing (SC,CA)
10	E120	Slip on Seal Collar for Drive Shaft, SS
11	Z219	-236 O-Ring
12	X365	Cross Auger Drive Shaft

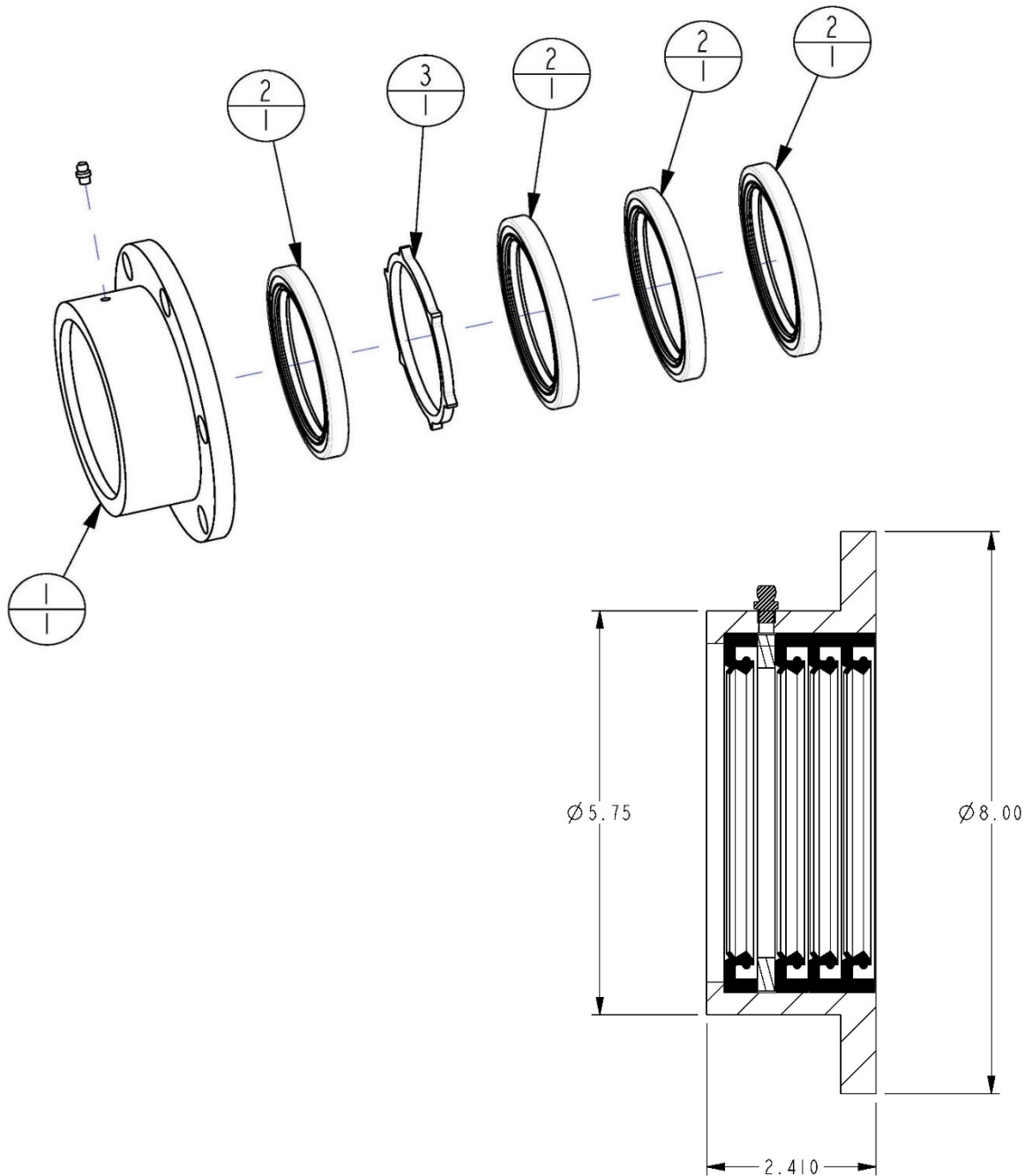
### Manure Cross Auger - 3 Seal Package



#  
Quantity

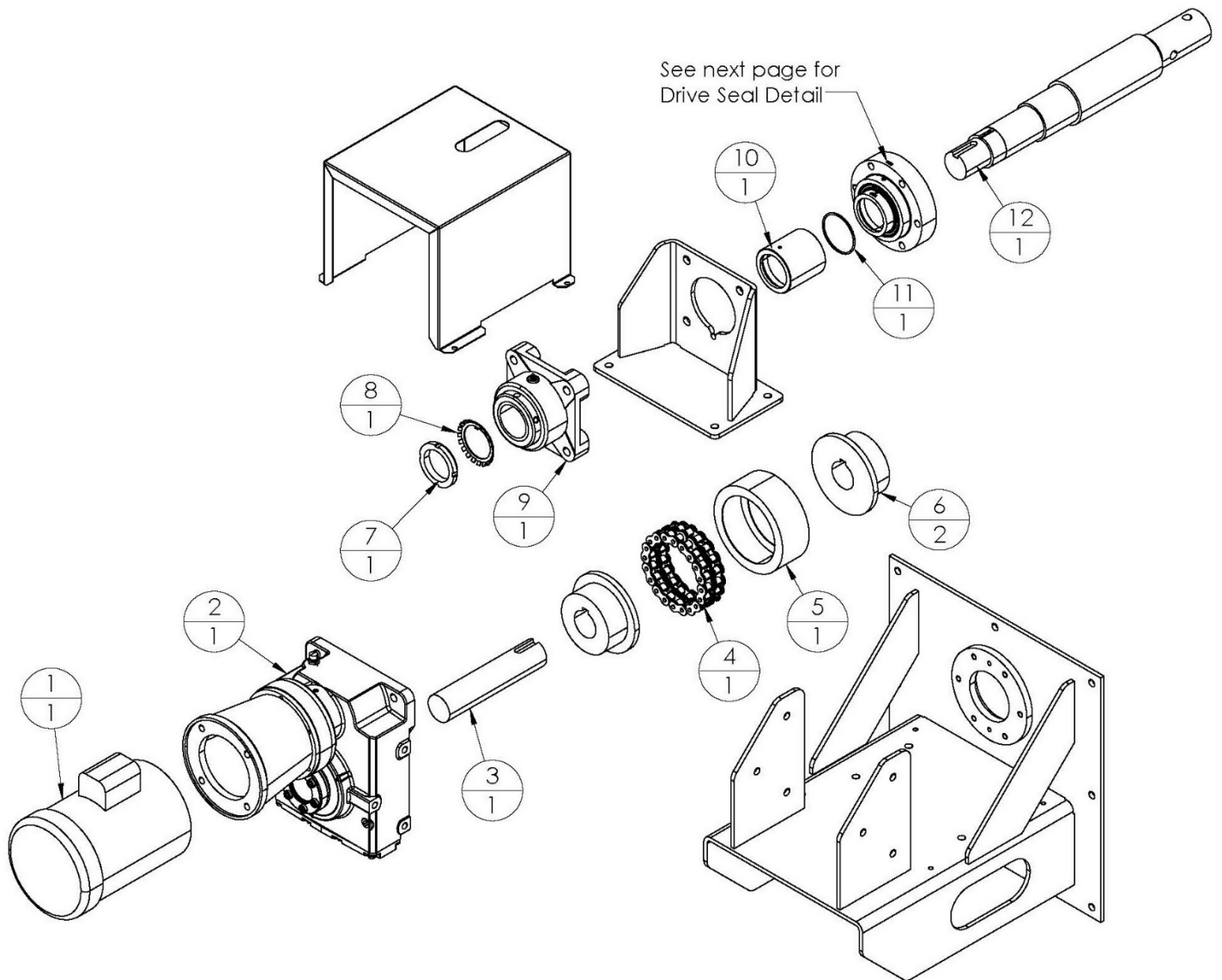
Item #	Part #	Description
1	L334	Seal Housing, SS
2	P679	Seal CR100x130x12 HMSA10RG (562629), SR
3	A440	1/4" Seal Spacer

### Manure Cross Auger - 4 Seal Package



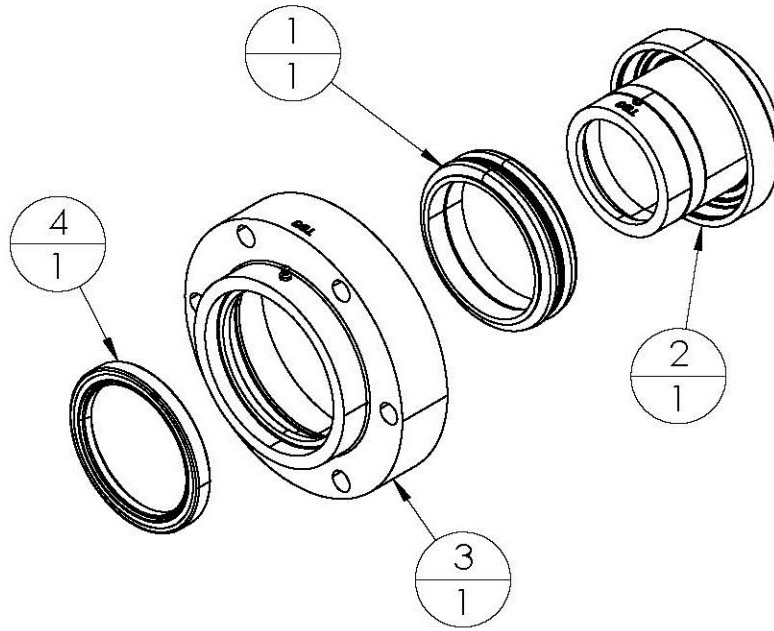
Item #	Part #	Description
1	A123	Seal Housing, SS
2	PG79	Seal CR100x130x12 HMSA10RG (562629), SR
3	A440	1/4" Seal Spacer

## Manure Cross Auger - Trelleborg Seal Direction Detail



Item#	Part#	Description
1	---	Motor
2	---	Gearbox
3	P419	Cross Auger Jack Shaft
4	Z688	#80 Chain Coupling Loop, (SC,CA)
5	Z447	Chain Coupling Cover, (SC,CA)
6	M233	8020 2-7/16BS Chain Coupler Half (CA)
7	J713	Lock Nut
8	T608	Lock Washer
9	D433	DODGE 2-15/16" 4-Bolt SQ Flange Bearing (SC,CA)
10	E120	Slip On Seal Collar For Drive Shaft, SS
11	Z219	#236 O-Ring
12	X365	Cross Auger Drive Shaft

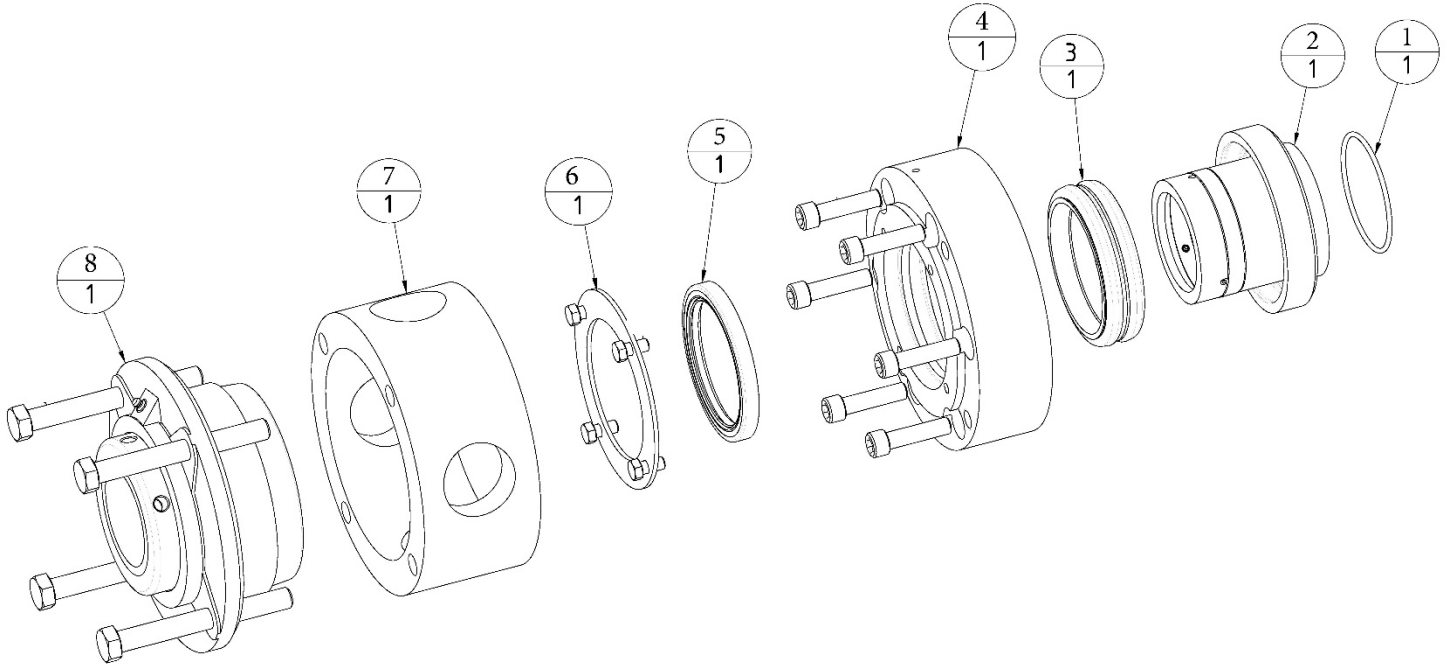
## Manure Cross Auger - Trelleborg Seal Direction Detail



Item#	Part#	Description
1	0171	SRS-OS/SC Trelleborg Seal
2	0723	Trelleborg Face Seal Inner Collar Stainless Steel SS303
3	F242	Trelleborg Face Seal Housing Stainless Steel SS303
4	N242	SKF Seal 95X120X12 HMSA10 RG (562881)

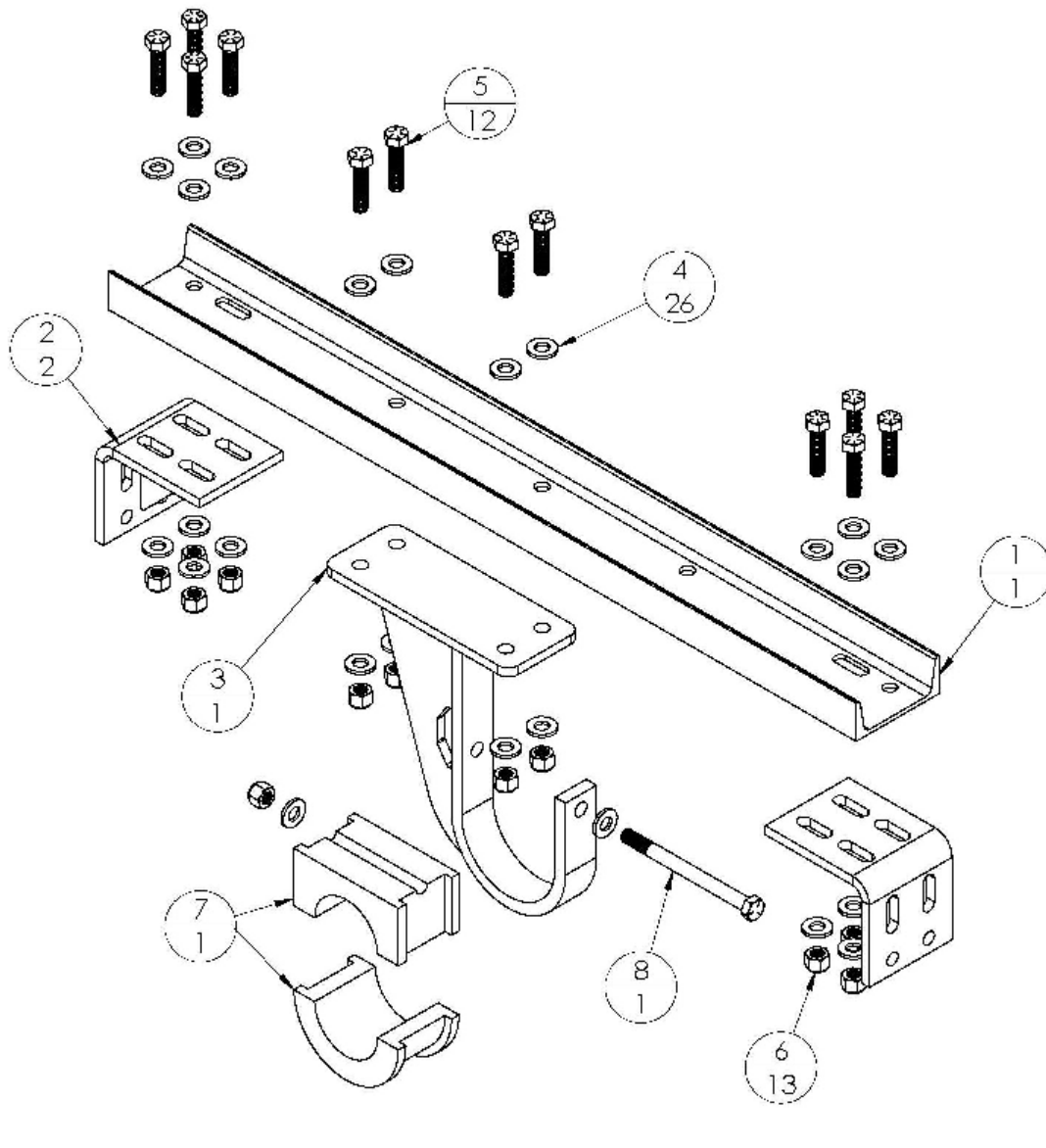


## Manure Cross Auger – Trelleborg Face Seal & Housing



Item #	Part #	Description
1	Z219	#236 O-Ring
2	0723	Trelleborg Face Seal Inner Collar – Stainless Steel SS303
3	0171	SRS-DS/SC Trelleborg Seal
4	0641	Trelleborg Face Seal Outer Housing – Piloted Flange
5	N242	SKF Seal 95X120X12 HMSA10 RG (562881)
6	M487	Seal Retainer Ring - Trelleborg
7	Q327	Piloted Flange Spacer
8	Z192	2-15/16" Dodge Bearing Tapered Roller Piloted Flange

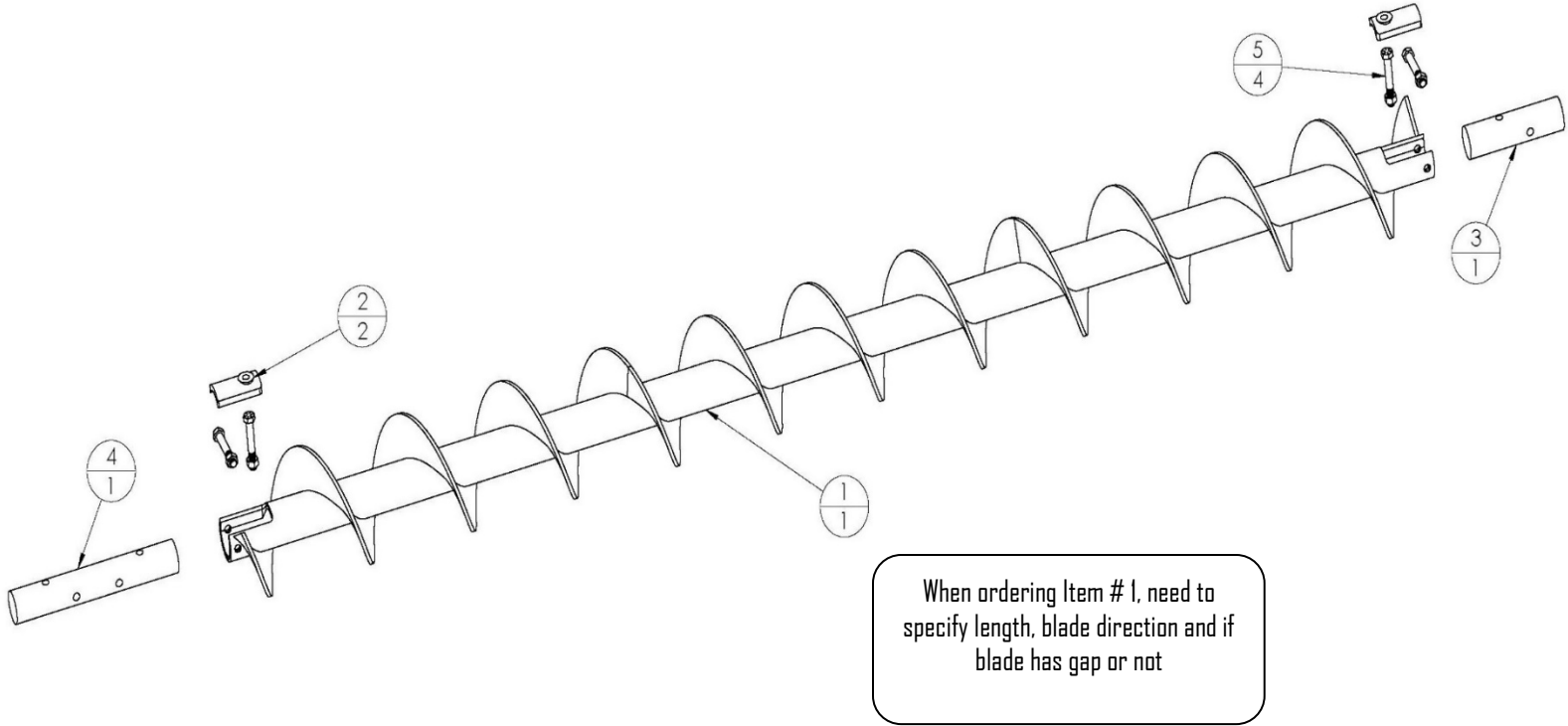
## Manure Cross Auger – Hanger Bearing Assembly



Label	Part #	Description
1		
2		
3	X456	Cross Auger J-hook bearing Hanger (No Insert)
4	S627	1/2" Zinc F/W USS
5	G214	1/2" - 13 X 2" Zinc Hex Bolt
6	L524	1/2" - 13 Zinc Nylock
7	O514	3" Urethane SRS Cross Auger Bearing Insert Set
8	S735	1/2" - 13 X 6" Zinc Hex Bolt

\*Items not listed are considered non-common replacement parts and can be custom ordered upon request.

## Manure Cross Auger - Auger Assembly



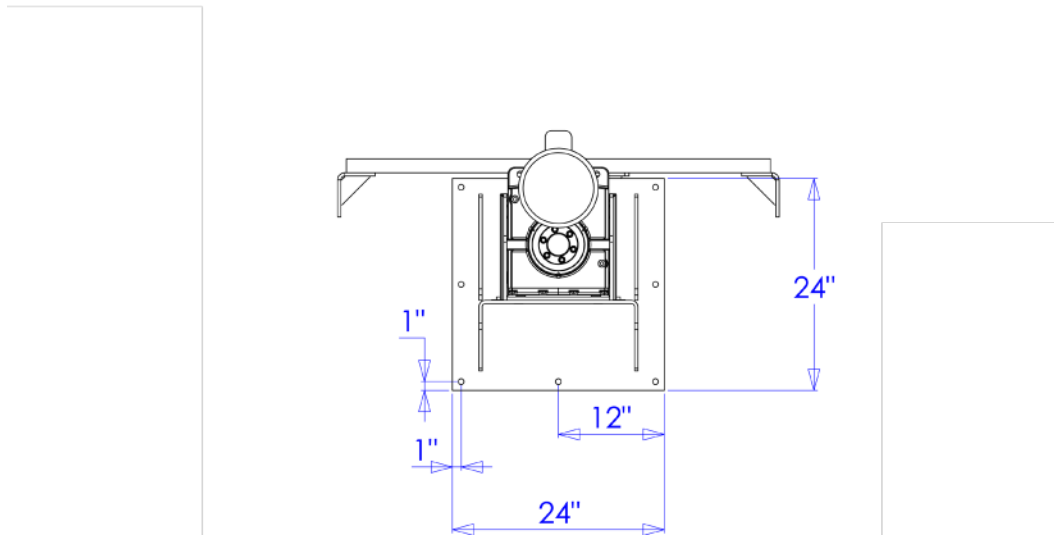
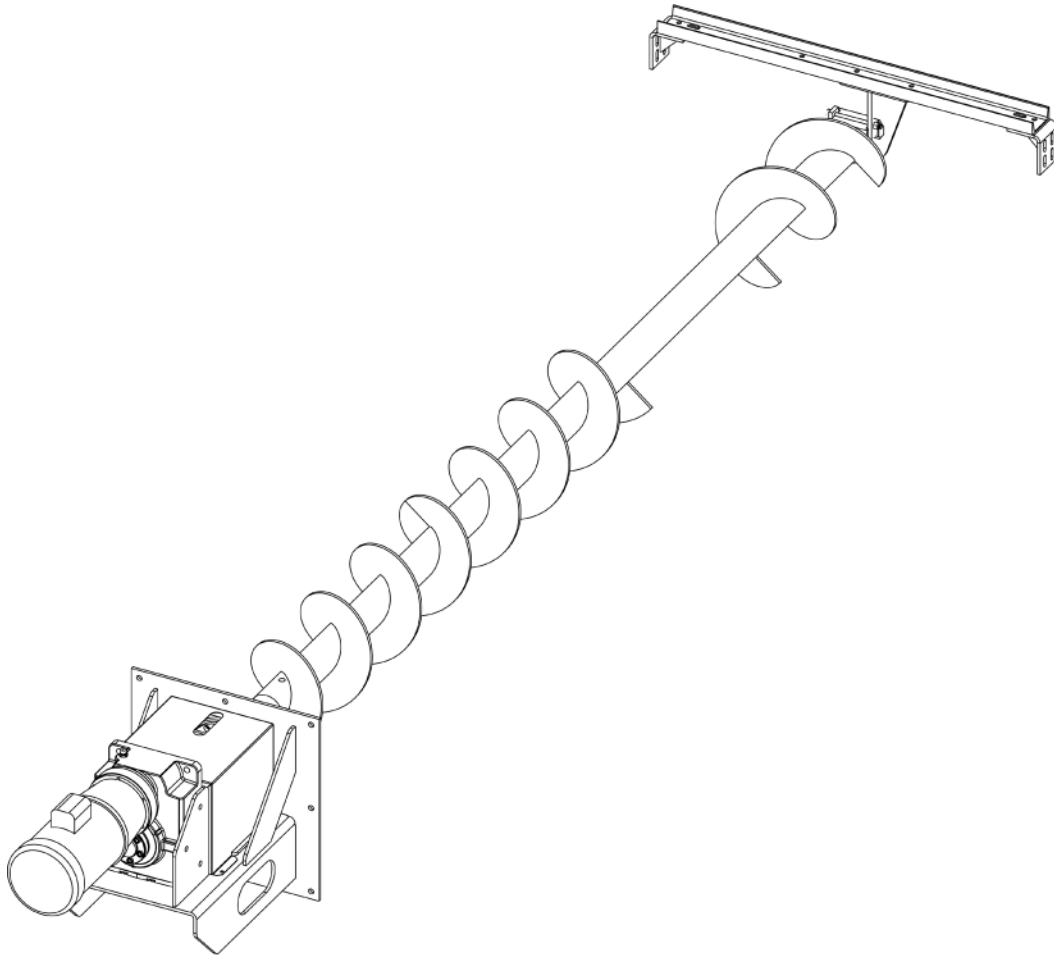
**Auger assemblies come in 12' sections**

#
Quantity

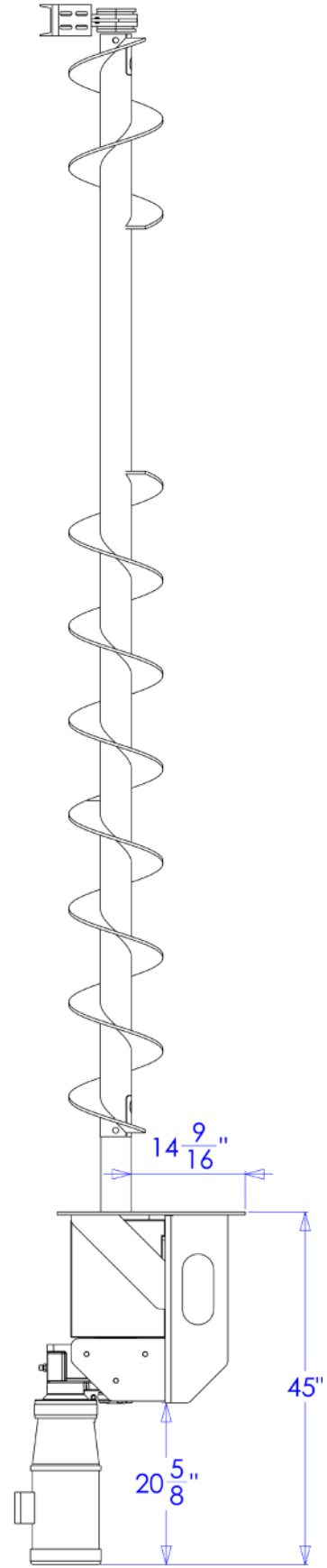
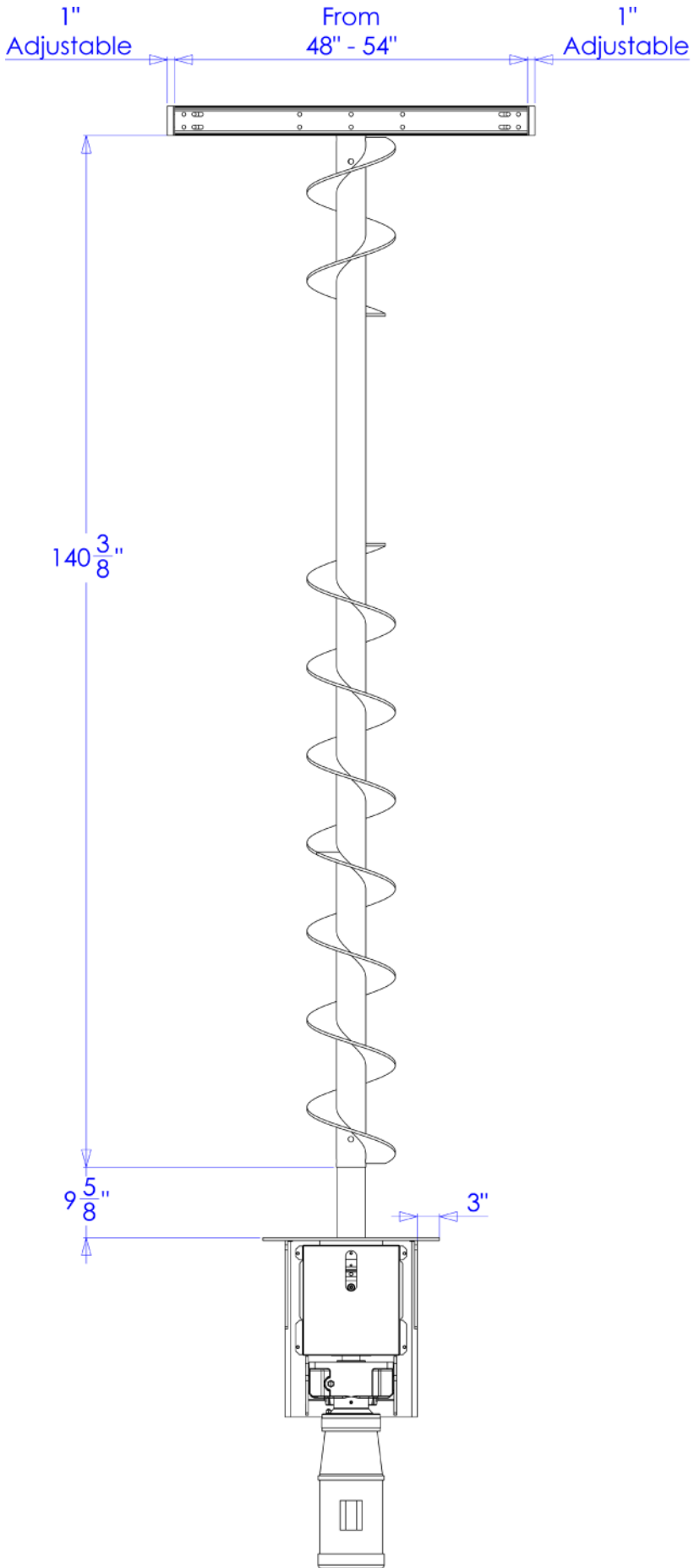
Label	Part #	Description
1	L726	Cross Auger 12' Section
2	A381	Quick Detachable Cap 3" Coupling
3	K119	3" Hardened Hanger End Shaft
4	F553	3" Hardened Coupling Shaft
5	G355	Coupling Bolt

\*Items not listed are considered non-common replacement parts and can be custom ordered upon request.

# Manure Cross Auger - Overall Dimensions



# Manure Cross Auger - Overall Dimensions



---

**For Technical Support, to order Replacement Parts, or for questions about other products, please contact your local dealer.**

---

