

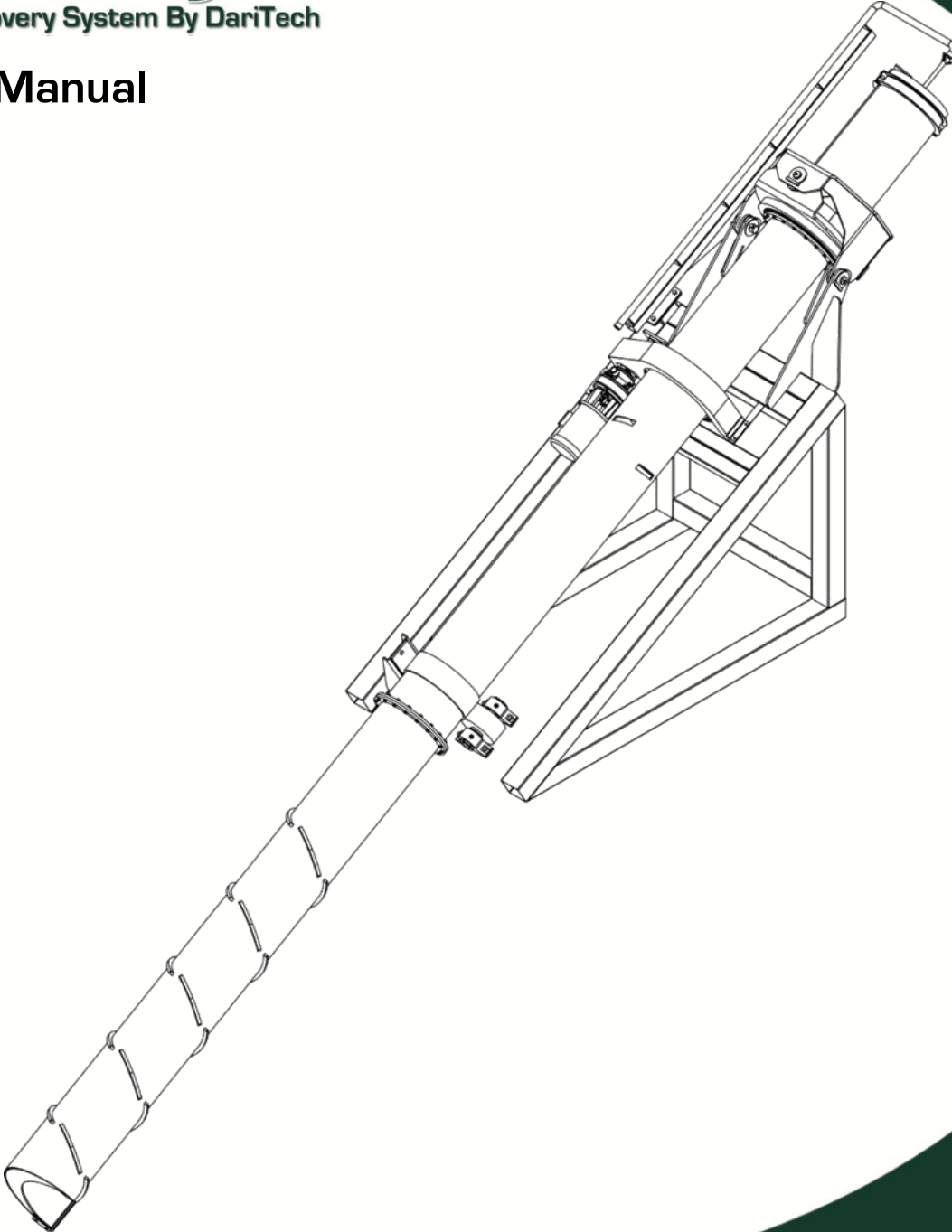


**DARITECH**<sup>INC</sup>  
Manure Management

# SRSystem

Sand Recovery System By DariTech

## Part Manual

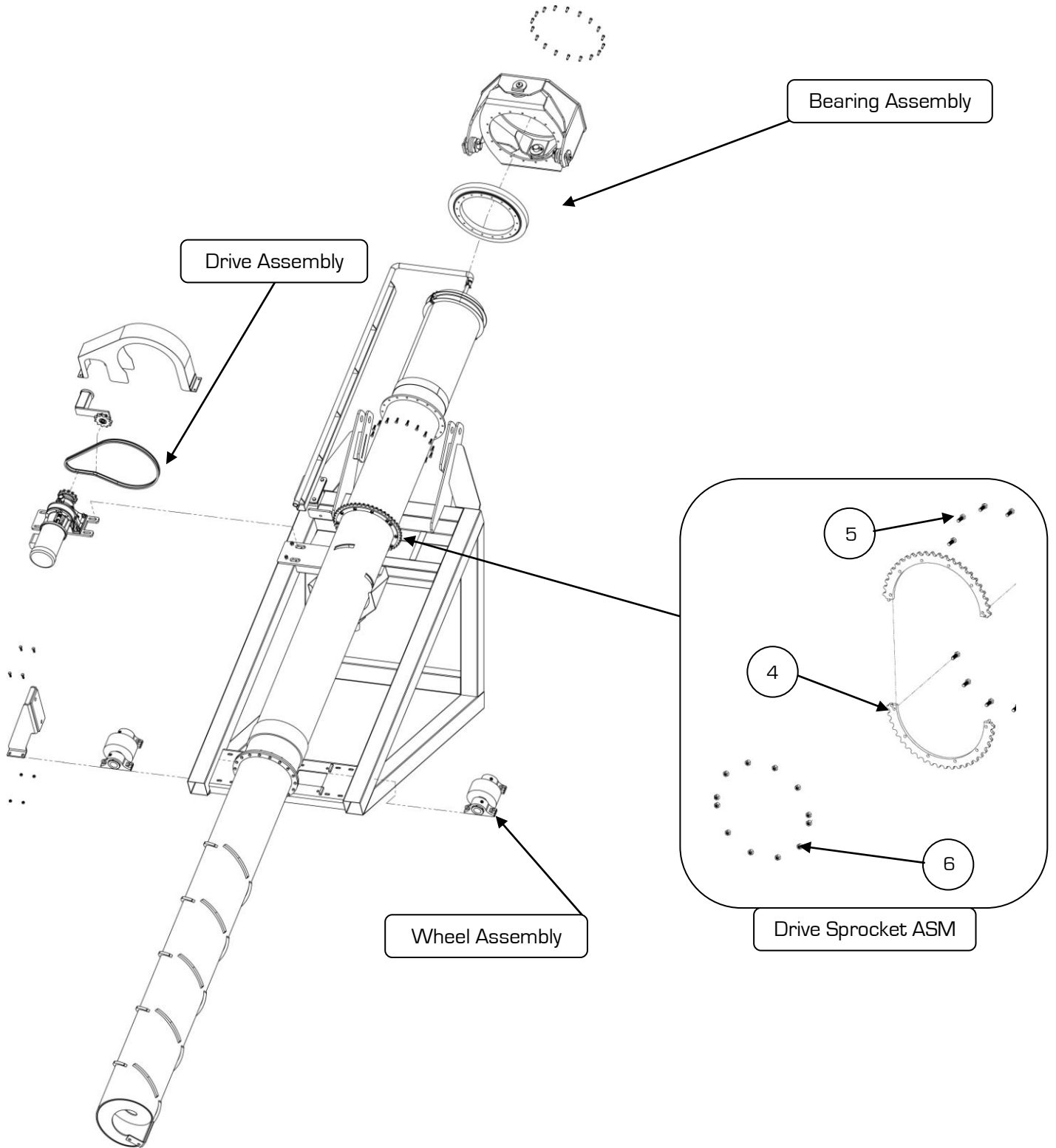


Model:

**OneShot 18in  
Sand Separator**

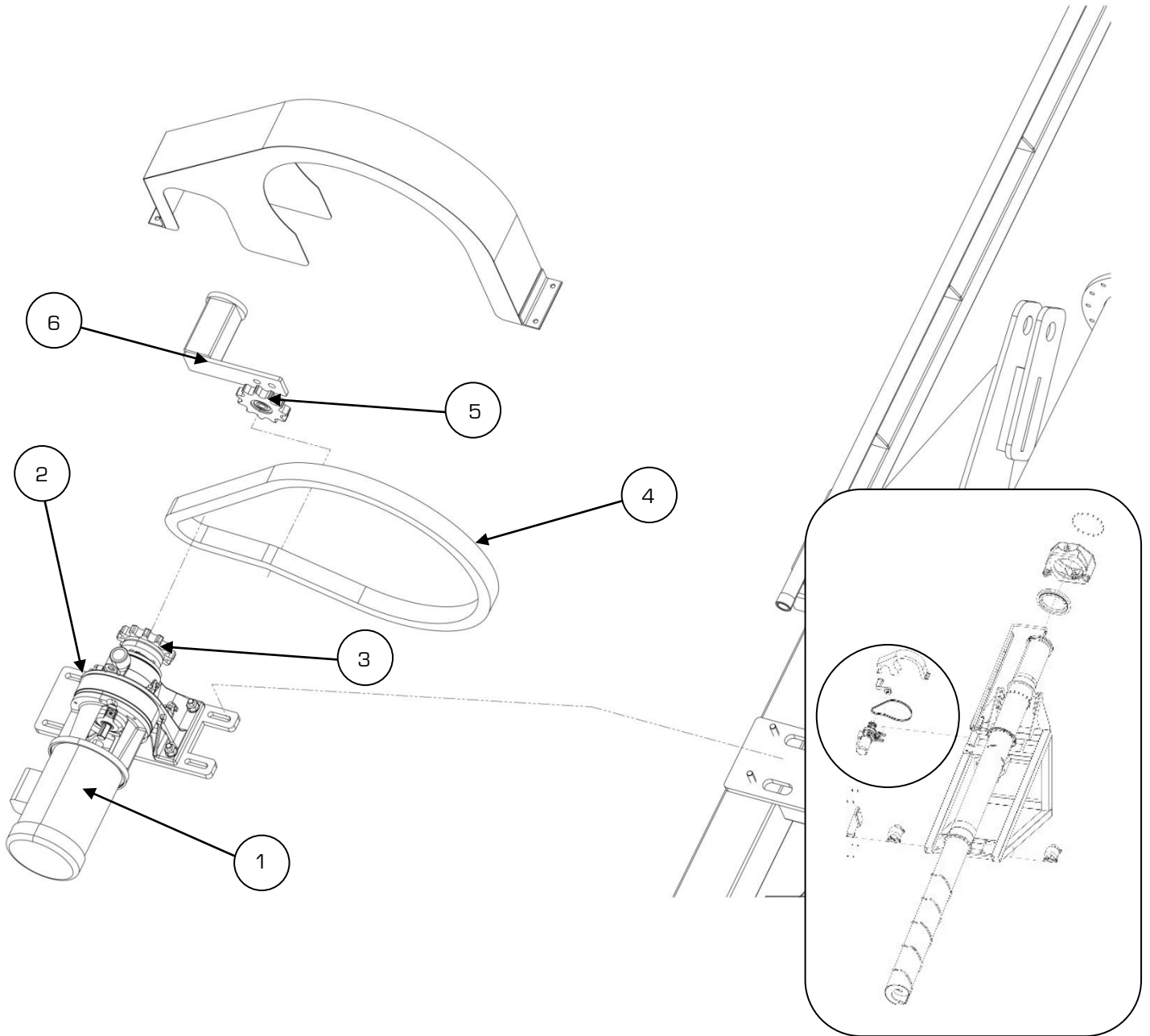


# OneShot 18in Sand Separator - Components



Label	Part #	Description
1	—	Drive Assembly
2	—	Bearing Assembly
3	—	Wheel assembly
4	C872	18" One-Shot Bolt on Sprocket
5	D131	1/2" - 13 x 2" SS Bolt
6	G837	1/2" - 13 SS Nut

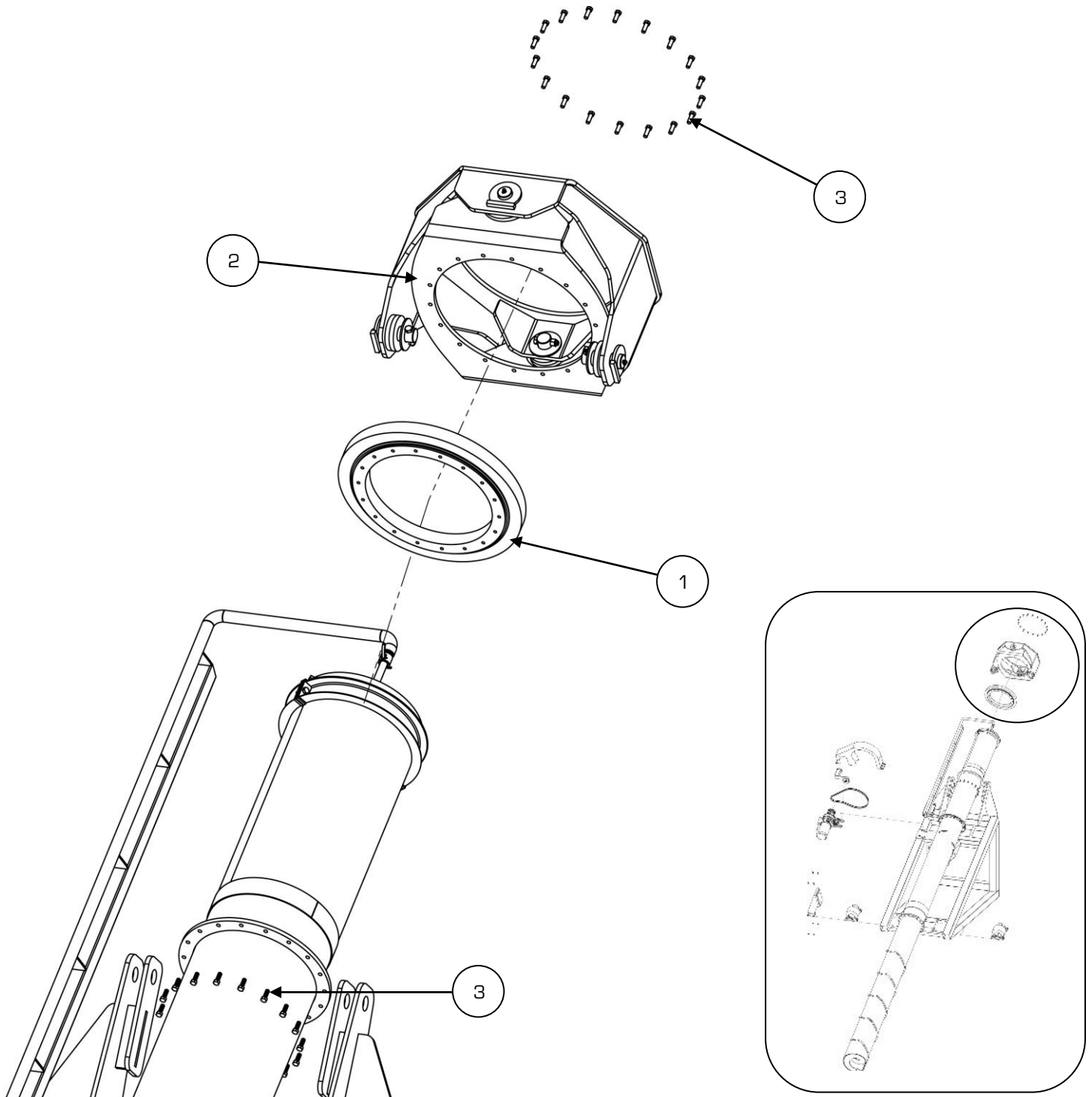
## OneShot 18in Sand Separator - Drive Assembly



Label	Part #	Description
1	C150	2 HP Baldor/ 3PH C-face Motor
2	D174	SRS - OS Sumitomo gearbox (6135)
3	O113	Drive Sprocket 120 Series 12T
	O537	SF, Bushing 1-7/8"
4	D784	Chain 120 Series 8' Standard Chain (Sold By the Foot)
	Q306	120 Series Chain Master Link
5	V463	Sprocket 11T 120 Series
6	T463	Tensioner

\*Items not listed are considered non-common replacement parts and can be custom ordered upon request.

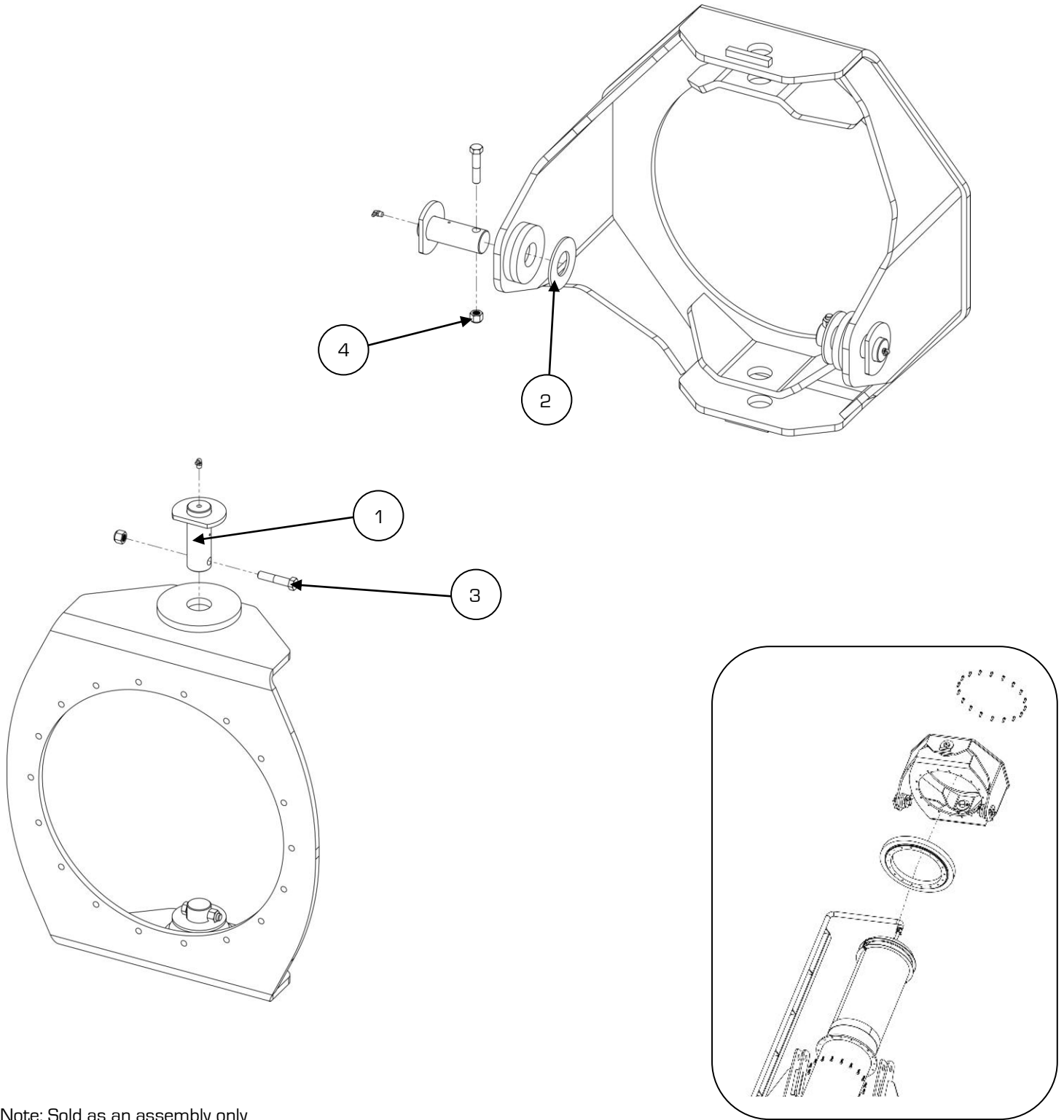
# OneShot 18in Sand Separator - Bearing Assembly



Label	Part #	Description
1	B696	18" Main Bearing
2	—	Hanger Assembly
3	Y652	1/2"-13 x 1-1/2" SS Bolt
	Z370	1/2" SS Lock Washer
	U124	1/2" x 1-1/4" SS Flat Wash

\*Items not listed are considered non-common replacement parts and can be custom ordered upon request.

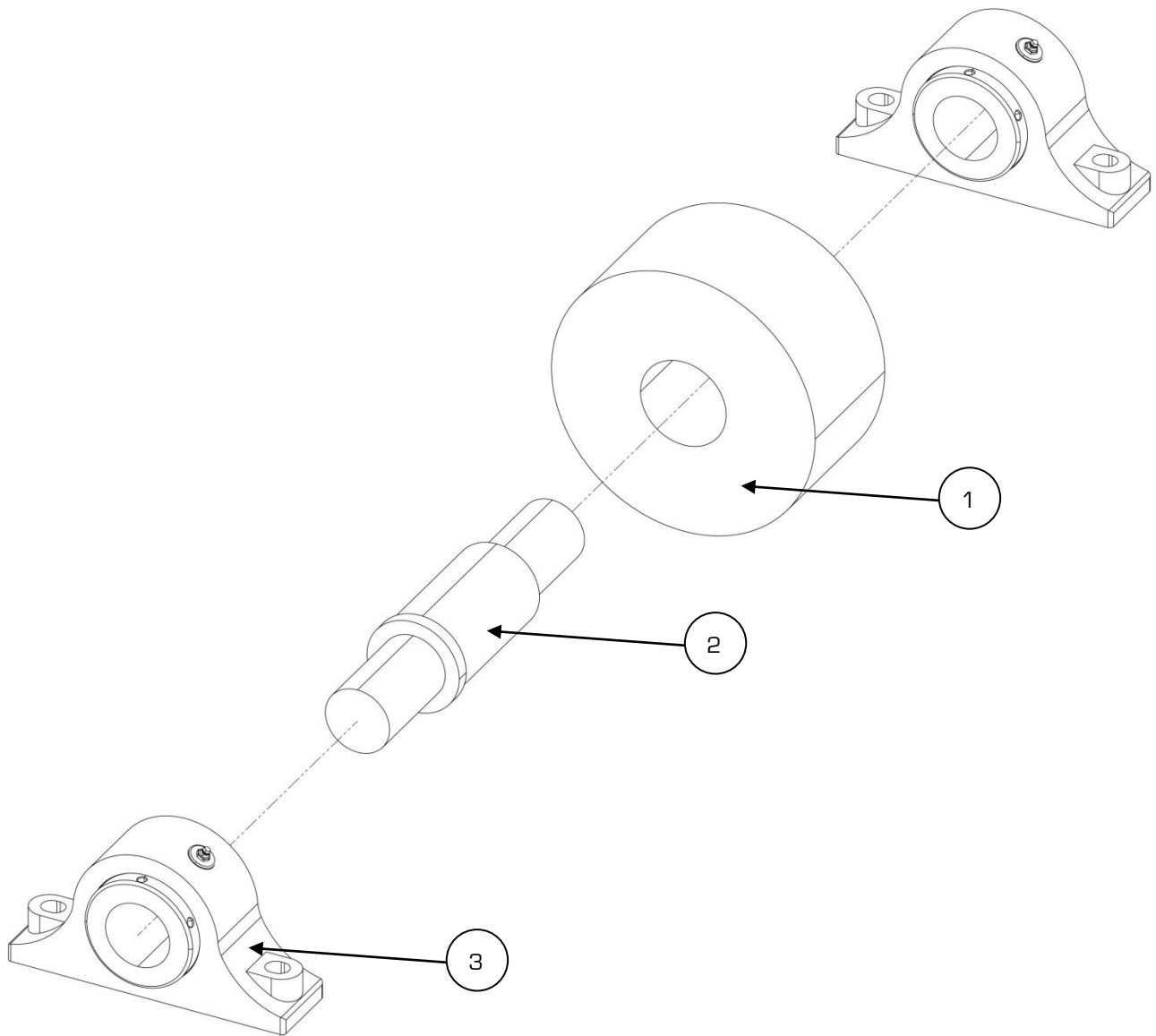
# OneShot 18in Sand Separator – Hanger Assembly



\*Note: Sold as an assembly only

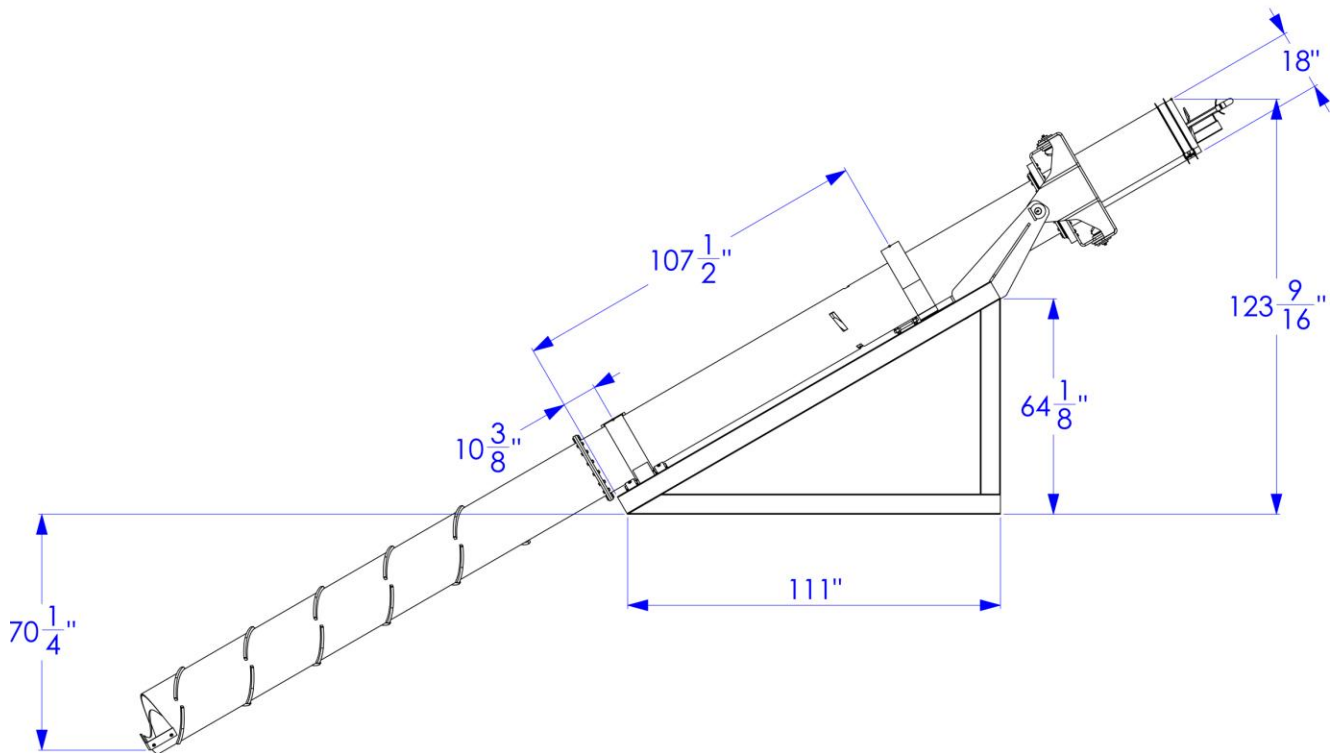
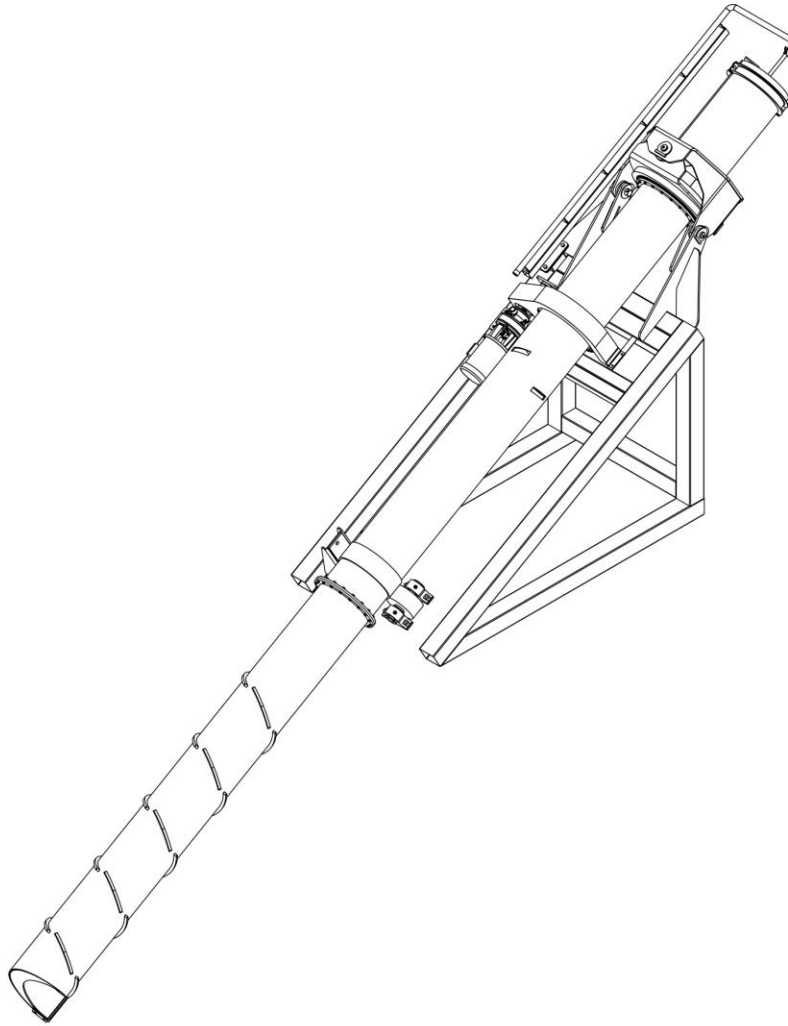
Label	Part #	Description
—	T143	Double Joint Pin Assembly
1	—	Double Joint, Pin
2	—	Double Joint, Washer
3	—	Double Joint, Bolt
4	—	Double Joint, Nut

# OneShot 18in Sand Separator - Wheel Assembly



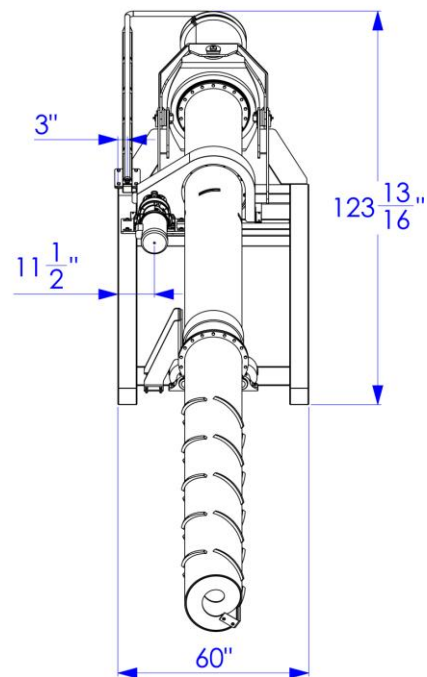
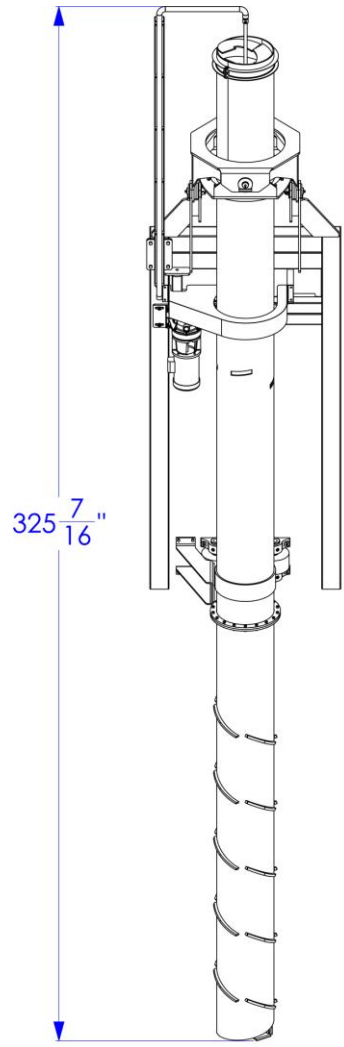
Label	Part #	Description
1	C197	One-Shot Wheel w/ shaft
2		Wheel Shaft
3	U446	Type E Pillow Block

# OneShot 18in Sand Separator - Overall Dimensions





# OneShot 18in Sand Separator - Overall Dimensions



---

**For Technical Support, to order Replacement Parts, or for questions about other products, please contact your local dealer.**

---

