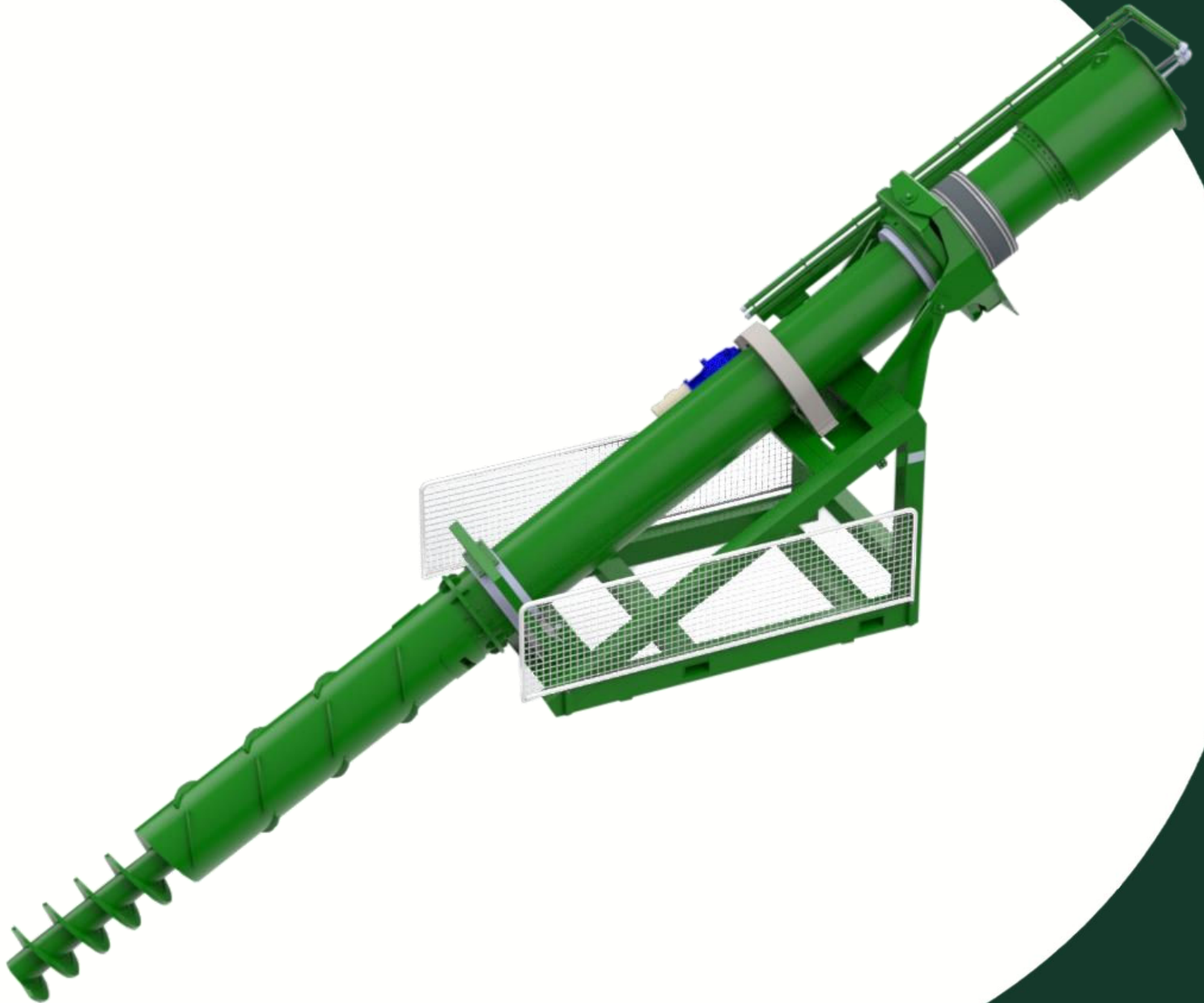




**DARITECH**<sup>INC</sup>  
Manure Management

# SRS System




For Model:

**22in One Shot Separator  
Sand Recovery System (SRS)**

## 22in One Shot -

Rev	Date	Changes
3.4	10-27-22	New Manual for units #4148 and above
3.5	4-4-23	Wheel Angle Mount Part # Addition
3.6	3-24-25	Gear Box Part # Addition

### Maintenance Guidelines

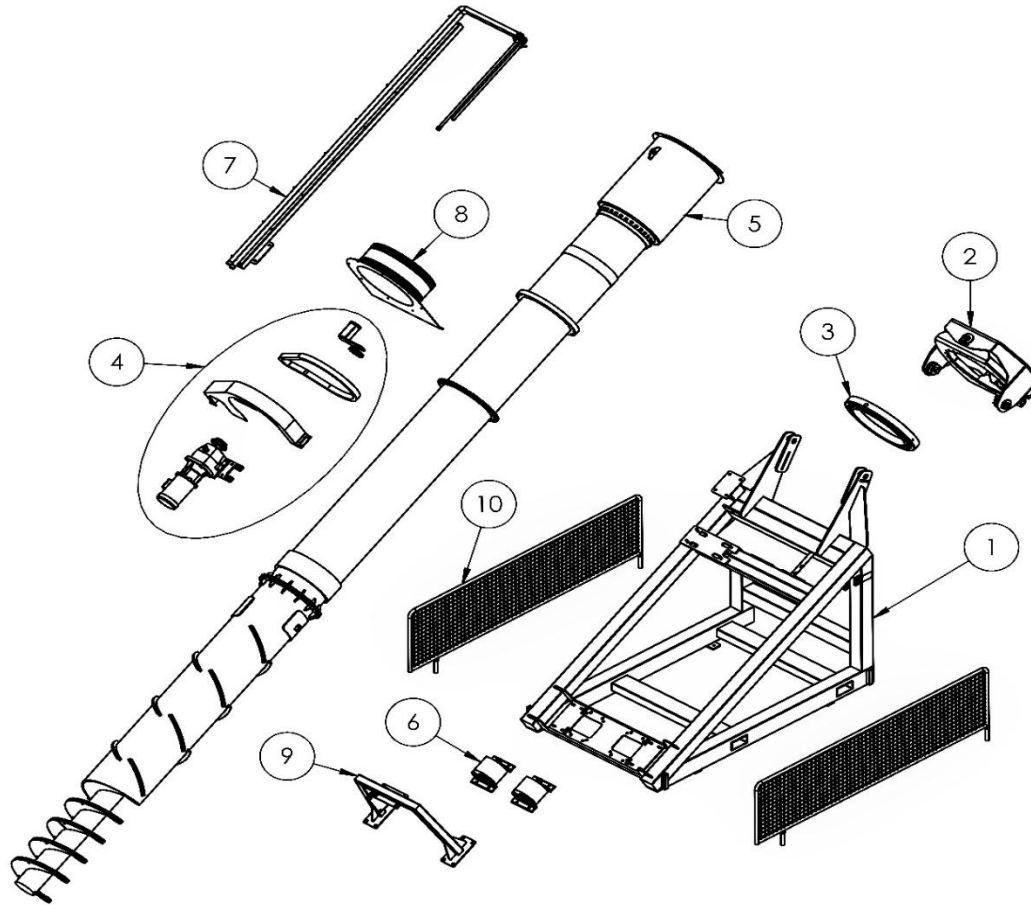
<b>Daily</b>	 <p><b>Do not reach down into fighting or drive chain area. Doing such could result in serious injury. Upon inspection if a problem is found shut down operation before any further investigation.</b></p> <ul style="list-style-type: none"> <li>• <b>Inspect:</b> <ul style="list-style-type: none"> <li>○ Walk around equipment and look for any unusual signs of wear.</li> <li>○ Listen for any unusual noises that could indicate a potential malfunction.</li> </ul> </li> </ul>
<b>WEEKLY</b>	<p><b>System must be shut down for the proceeding maintenance.</b></p> <ul style="list-style-type: none"> <li>• Lubricate drive chain<sup>1</sup></li> <li>• Grease bearings, 10 pumps to grease zerk or until grease purges from seals.<sup>2</sup> (<i>Wipe away existing grease with a clean cloth to avoid injecting any dirt or debris into the bearing.</i>)</li> </ul>
<b>ANNUALLY</b>	<ul style="list-style-type: none"> <li>• Change gearbox oil on OneShot<sup>3</sup></li> </ul>

1. Lubricant (drive chain) – Standard chain lubricant
2. Grease (Bearings) - Multiplex Red #2 NLGI CC-LB.
3. OneShot Gearbox Oil;
  - Nord Gearbox- Mobil gear 630



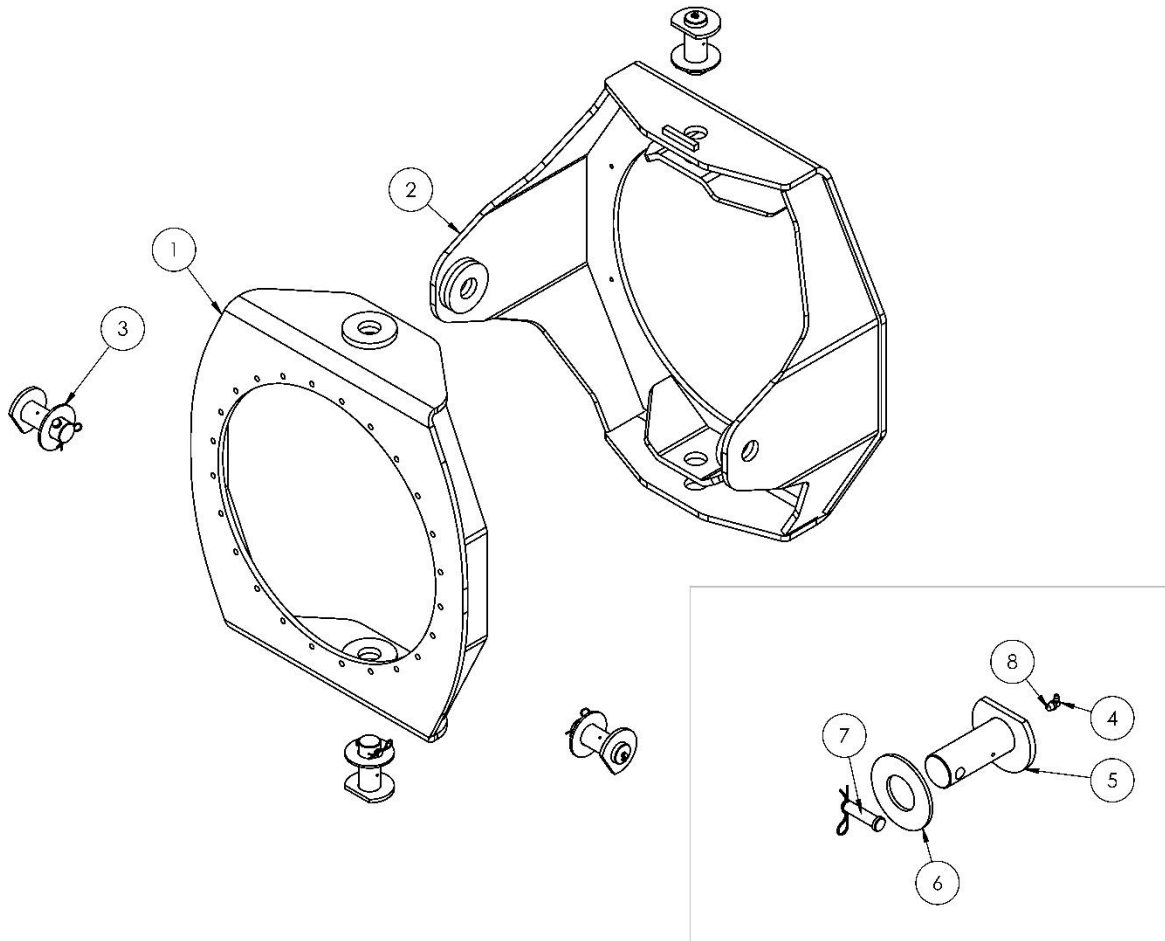
**Improper mixing of unlike grease can cause bearing failure.**

## 22in One Shot -



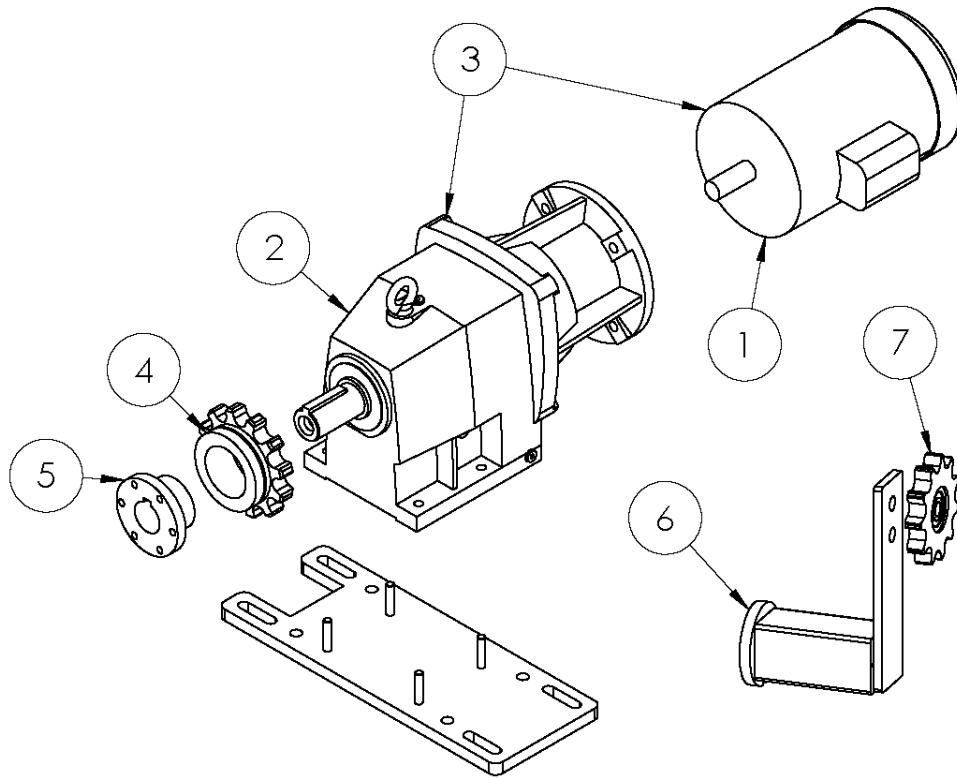
Label	Part #	Descriptions
1	---	Main Frame
2	---	Hanger Assembly
3	P844	Slewing Bearing for 22" SRS-DS
4	---	Drive Assembly
	D784	Chain I20 Series 9' Standard (sold by the foot)
	Q306	I20 Series Chain Master Link
5	---	Complete Tube Assembly
6	---	Wheel Assembly
7	T639	SRS-DS Dual Water Pipe Boom Assembly
8	G106	SRS-DS Rubber Shield Coupling
	N172	SRS-DS Fixed Drip Shroud
9	---	Barrel Guide Assembly
10	---	One Shot Side Fencing

## 22in One Shot -



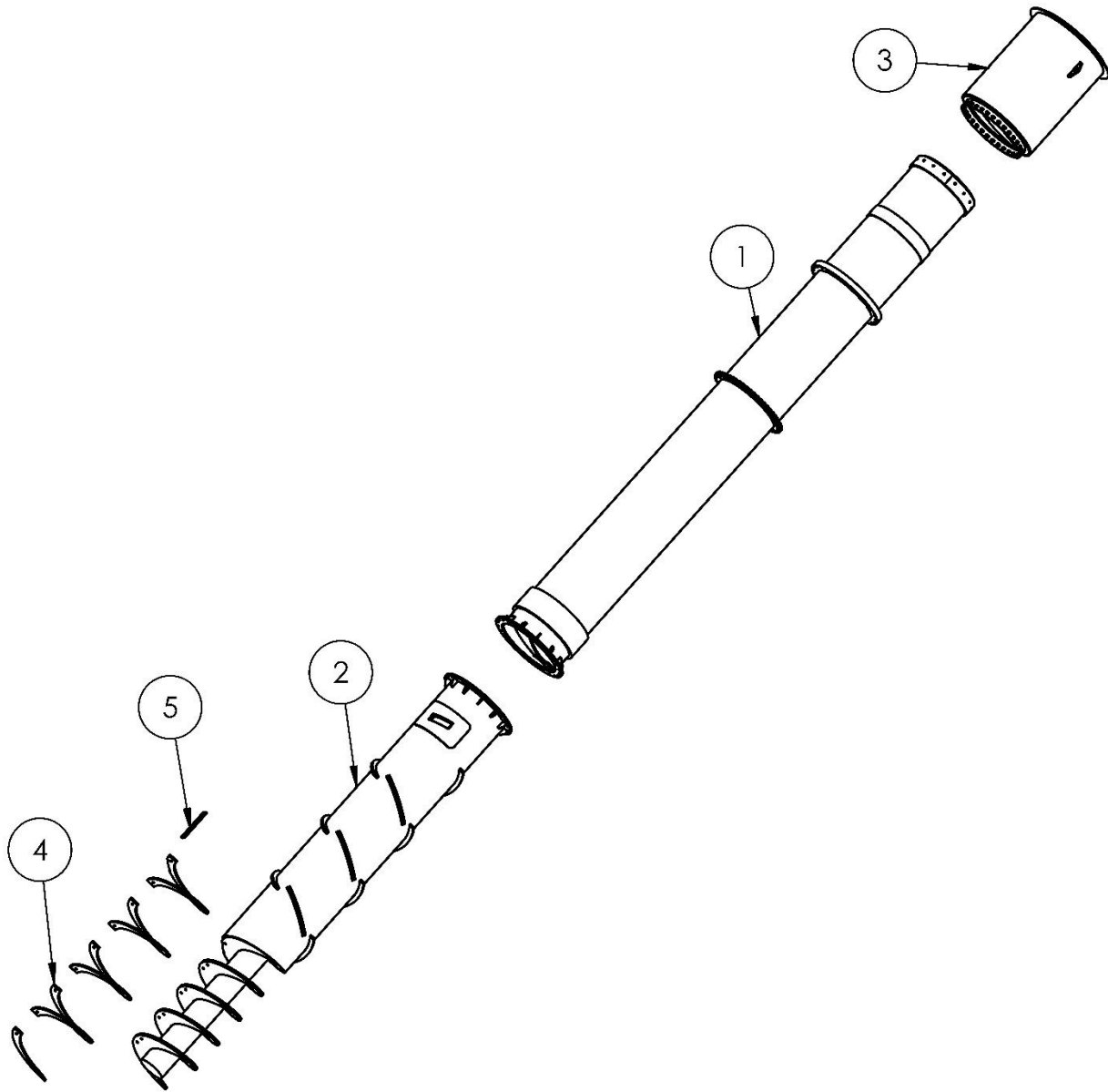
Label	Part #	Descriptions
1	---	Lower Hanger Half ASM
2	---	Upper Hanger Half ASM
3	---	Double Joint Pin with Washer and Pins
4	N120	1/4" Tube 1/8" NPT PTC Fitting
5	---	Double Joint, Pin
6	---	Double Joint, Washer
7	G263	Bent Trailer Pin 5/8" x 3"
8	B797	1/8" Galv. St 90

## 22in One Shot -



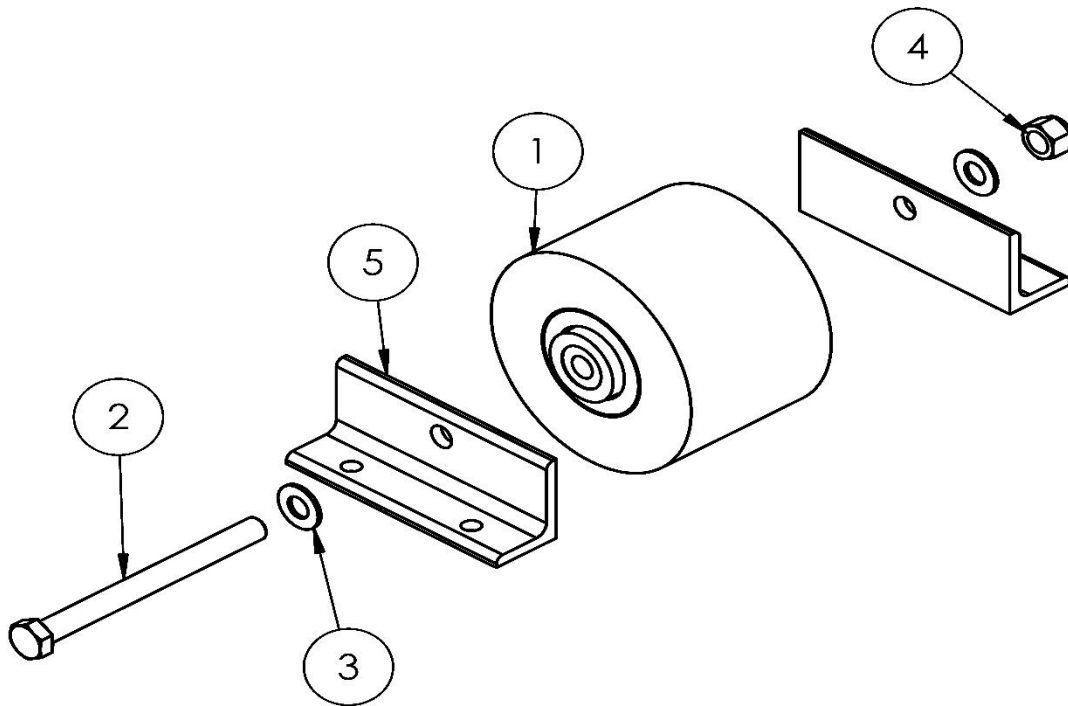
Label	Part #	Descriptions
1	U272	Nord Motor 5 HP 184TC 3 PH 50/60
2	K318	Nord Gearbox Only 5HP 58.25:1 (OS Gen 2)
3	F895	Nord Gearbox -5HP w/ Motor (OS Gen 2) SRS - Sumitomo Reducer - 6135, 43:1
4	0113	Drive Sprocket I20 Series 12T, QD Hub
5	0537	QD Bushing SF 1-7/8"
6	T463	Chain Tensioner
7	V463	Sprocket I1120 Series

22in One Shot -



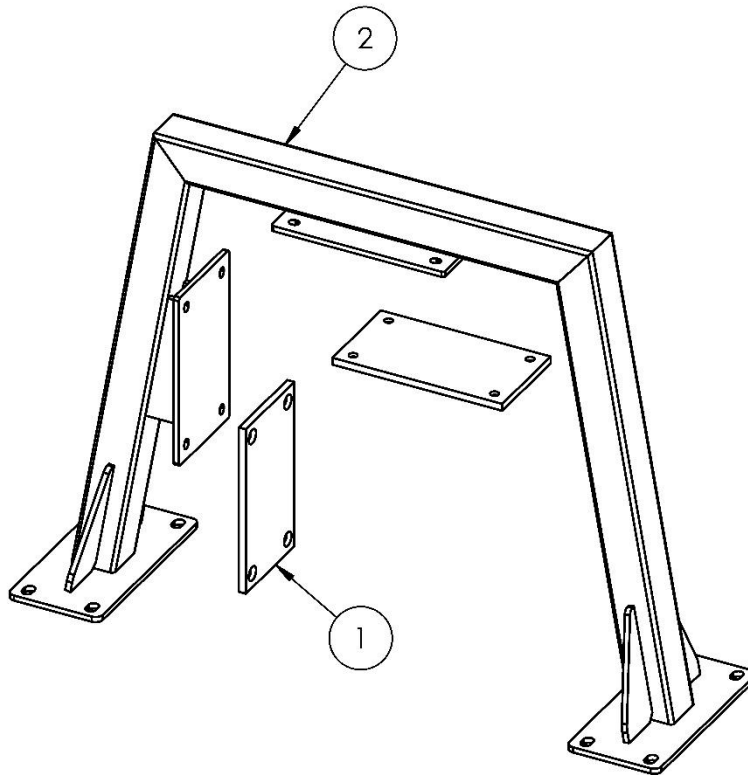
Label	Part #	Descriptions
1	A555	SRS-OS Center Tube Assembly
2	0151	SRS-OS Lower Tube Assembly (Updated 2021 Style/with Drop Slots)
3	W749	SRS-OS Upper Split Flight Bell Tube Assembly
4	G879	SRS-OS Lower Auger Hardened Flight Doubler Kit
5	A430	SRS - OS Wear Plate Lower Auger Scoop

## 22in One Shot -



Label	Part #	Descriptions
1	Q780	SRS-OS Gen 2 Nylon Idler Wheel Complete One-Shot Wheel w/ Shaft
2	Q318	1" X 11" Hex Bolt Zinc
3	Q182	Flat Washer 1" SAE
4	M409	1" Zinc Nylock
5	X869	SRS - OS Angle Wheel Mount

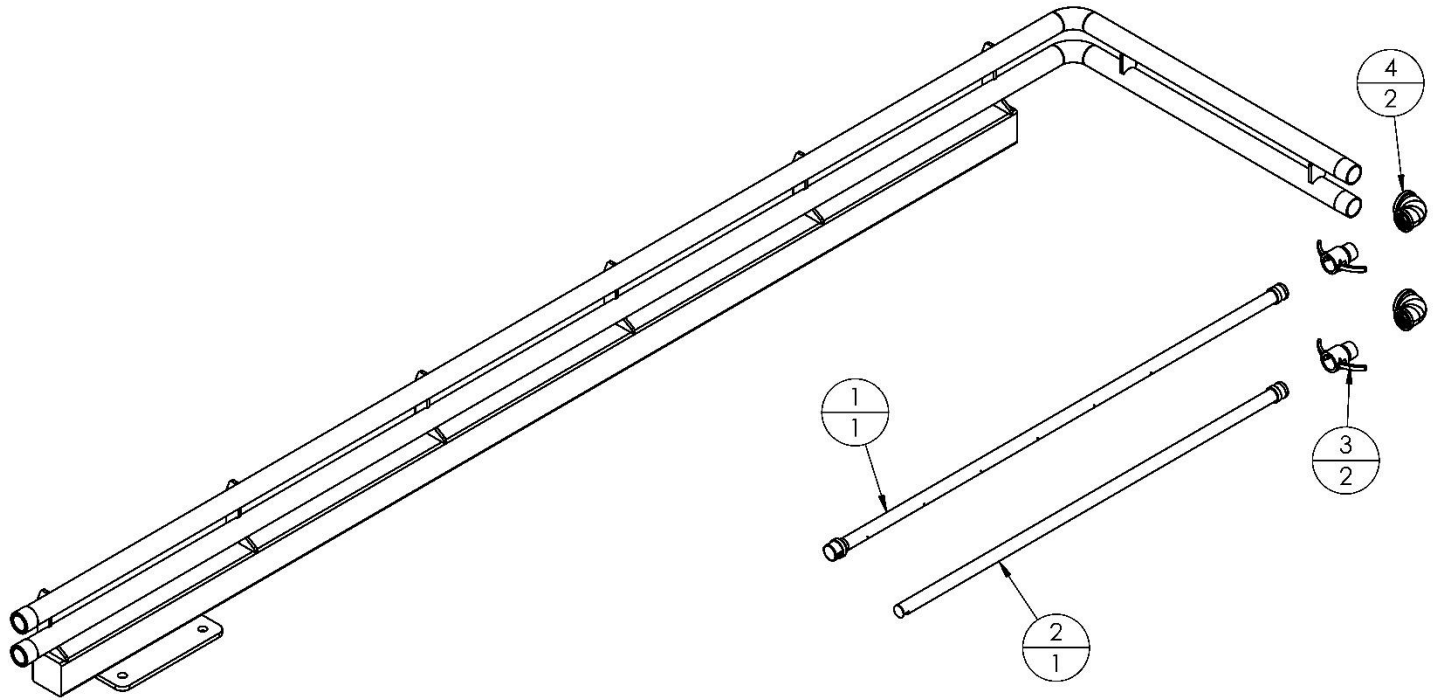
## 22in One Shot -



Label	Part #	Descriptions
1	E845	22DS Hold Down Wear Pad, 1/2" Black UHMW Repro
2	---	Barrel Guide Frame Assembly
---	A160	1/2"-13 X 1-3/4" Flat Head Socket Cap Screw
---	L524	1/2"-13 Zinc Nylock Nut



## 22in One Shot -



Label	Part #	Descriptions
1	Y310	Stainless Steel Spray Bar with Cam Lock
2	F410	SRS-OS Stainless Steel Nozzle Bar with Cam Lock (Open End)
3	0455	1" SS Female Cam X FPT
4	0745	1-1/4" Galv 90
	N791	1-1/4"X1" Galv. Bushing
	S276	1" X CL Galv. Nipple

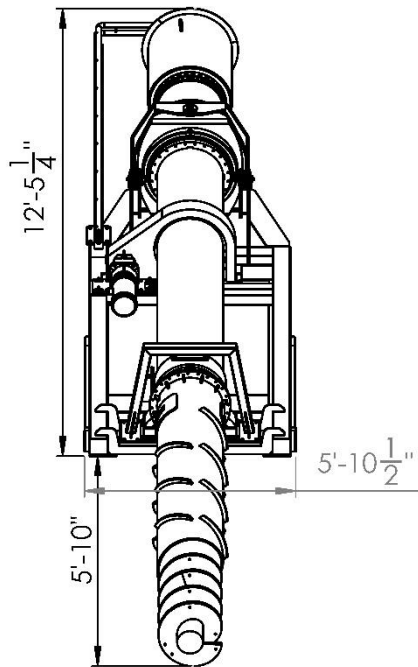
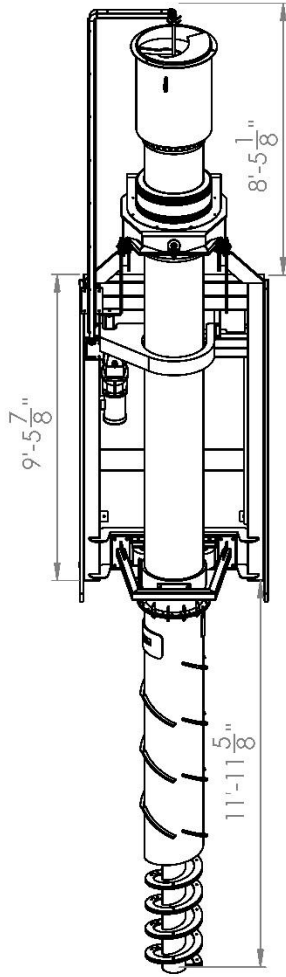
**22in One Shot -  
Machine Hardware**

<b>Part #</b>	<b>Qty.</b>	<b>Description</b>	<b>Location Used</b>
Z612	12	5/8"-11 x 2" Zinc Hex Bolt	Sprocket to Pipe
V363	12	5/8"-11 Zinc Nylock Nut	
Z612	4	5/8"-11 x 2" Zinc Hex Bolt	Spray Bar to Frame
V310	8	5/8" Zinc Flat Washer	
V363	4	5/8"-11 Zinc Nylock Nut	
F518	8	3/4"-10 x 2" Zinc Hex Bolt	Wheel Angle Mount to Frame
L458	8	3/4"-10 Zinc Nylock Nut	
Z612	8	5/8"-11 x 2" Zinc Hex Bolt	Rub Arm to Frame
V310	16	5/8" Zinc Flat Washer	
V363	8	5/8"-11 Zinc Nylock Nut	
A160	8	1/2"-13 1-3/4" Zinc Flat Head Socket Screw	Rub Arm Plastic
L524	8	1/2"-13 Zinc Nylock Nut	
T878	4	7/16" Zinc Washer	Gearbox to Mount Plate
Y733	4	7/16"-14 Zinc Nut	
V310	4	5/8"-11 Zinc Flat Washer	Mount Plate to Frame
V363	4	5/8"-11 Zinc Nylock Nut	
Q636	24	1/2"-13 X 2-1/2" Zinc Hex Bolt	Bottom Pipe to Middle Pipe
S627	48	1/2" Zinc Flat Washer	
L524	24	1/2"-13 Zinc Nylock Washer	
Z166	16	5/8"-11 X 1" Zinc Hex Bolt	Top Pipe to Middle Pipe
J129	16	5/8" Zinc Lock Washer	
V310	16	5/8"-11 Zinc Flat Washer	
Z350	24	1/2"-13 X 3 Zinc Hex Bolt	Bearing to Pipe
E231	24	1/2" Zinc Lock Washer	
S627	24	1/2" Zinc Flat Washer	
G214	24	1/2"-13 X 1-1/2" Zinc Hex Bolt	Bearing to Knuckle
E231	24	1/2" Zinc Lock Washer	
S627	24	1/2" Zinc Flat Washer	
A274	8	3/8"-16 X 1 Zinc Hex Bolt	Drip Ring to Knuckle
K203	8	3/8" Zinc Lock Washer	
D151	8	3/8" Zinc Flat Washer	

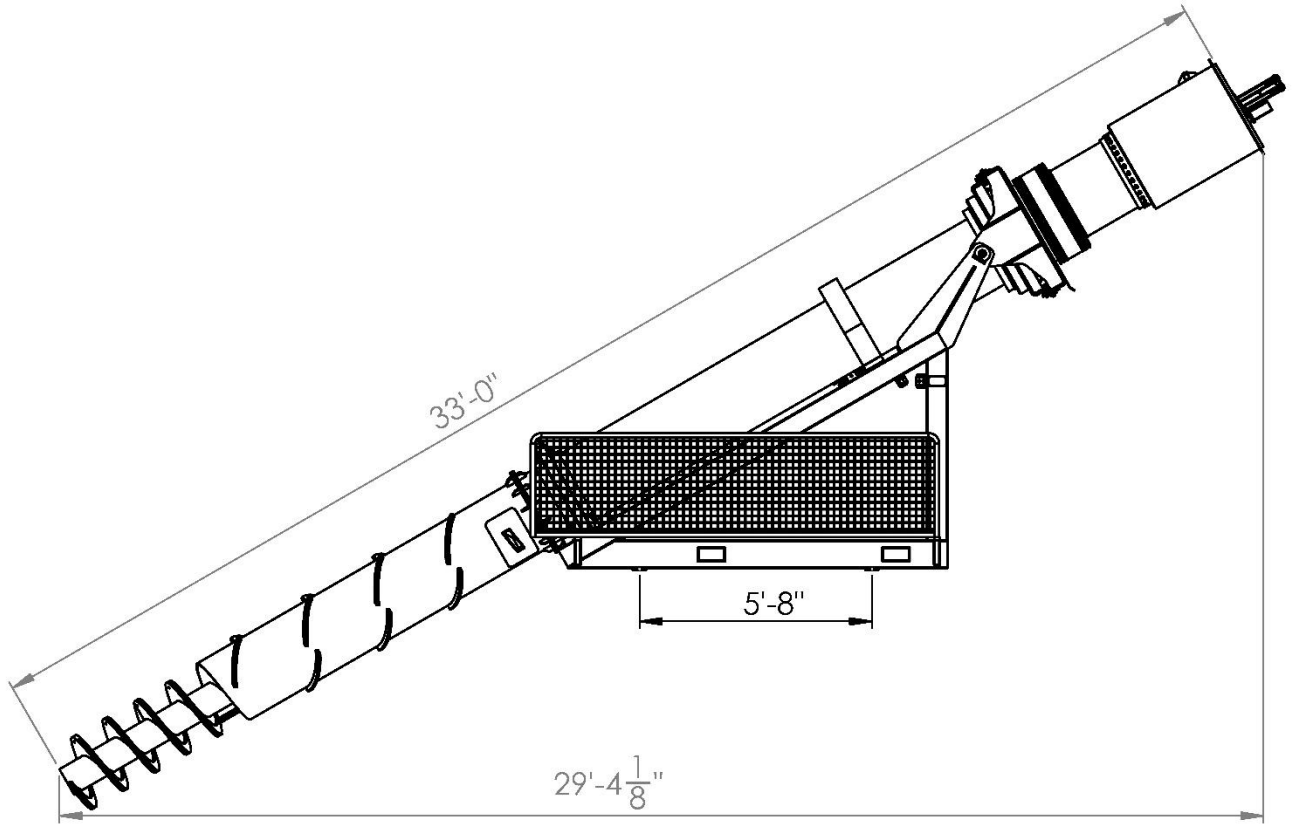
## 22in One Shot -

<b>Machine Hardware</b>			
<b>Part #</b>	<b>Qty.</b>	<b>Description</b>	<b>Location Used</b>
O443	2	3/8"-16 X 1 Stainless Hex Bolt	Chain Guard to Frame
Z175	2	3/8"-16 X 1-1/2" Stainless Hex Bolt	
G736	2	3/8" Stainless Lock Washer	
E143	6	3/8" Stainless Flat Washer	
M156	2	3/8"-16 Stainless Nylock Nut	
Q363	17	1/2"-13 X 2-1/2" Zinc hex Bolt	AR400 Doubler Flighting
S627	34	1/2" Zinc Flat Washer	
L524	17	1/2"-13 Zinc Nylock Nut	
Q318	2	1"-8 X 11" Zinc Hex Bolt	Wheel Bolt
M409	2	1"-8 Zinc Nylock Nut	
Z413	4	1" Zinc Flat Washer	
B797	6	1/8" NPT Street 90	Main Bearing and Pins
Y341	6	Crimp on fitting 1/4" Hose x 1/8" NPTF	
O201	6	Crimp on fitting 1/4" Hose X 1/8" NPTF Swivel	
M430	---	1/4" 600psi Grease Line	Multiple Locations
<b>Water Line Fitting</b>			
N791	2	1" X 1-1/4" Galvanized Bushing	
S276	2	1" Galvanized Niiple	
O745	2	1-1/4" Galvanized 90	
O203	1	3/4" Stainless Cap	
A567	1	3/4" X 3" Stainless Nipple (half)	
O455	2	1" Female Cam Lock	
B629	2	1" Male Cam Lock	
P316	2	1" Half Coupling Steel	
R809	1	1-1/4" X 4" Galvanized Nipple (Half)	

22in One Shot -



22in One Shot -



---

**For Technical Support, to order Replacement Parts, or for questions about other products, please contact your local dealer.**

---