

## **Sand Recovery System (SRS)**

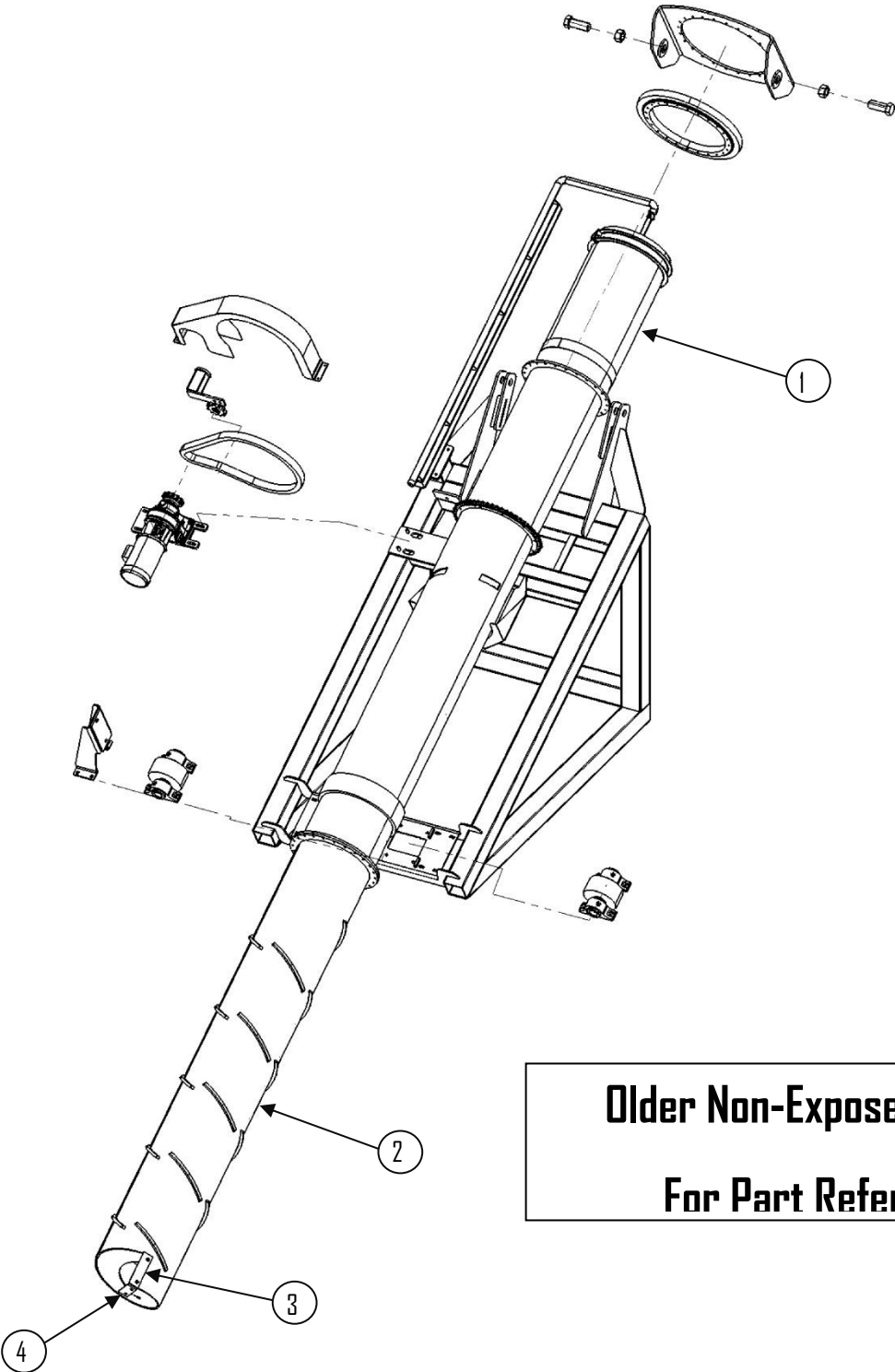
**Model:**

**One Shot 22in Sand Separator**

**Part List**

# One Shot 22in Sand Separator - Components

One Shot 22in Sand Separator - Components

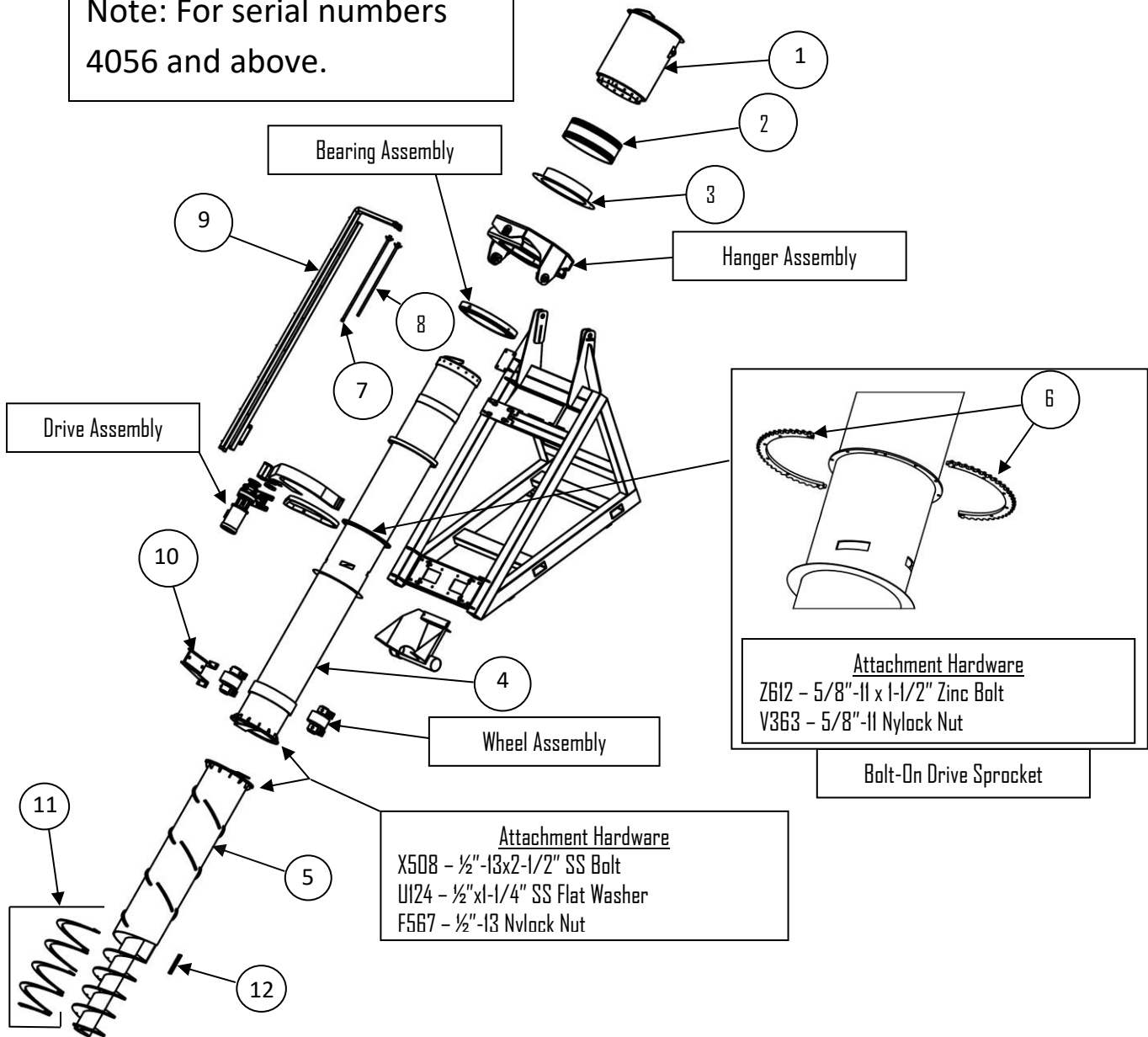


**Older Non-Exposed Auger Style  
For Part Reference Only**

Label	Part #	Description
1	Reference Only	Upper Single Joint Tube Assembly
2	Reference Only	Non-Exposed Lower Tube Assembly
3	Reference Only	Lower Auger Tube Edge Doubler
4	Reference Only	Lower Auger Flight Doubler

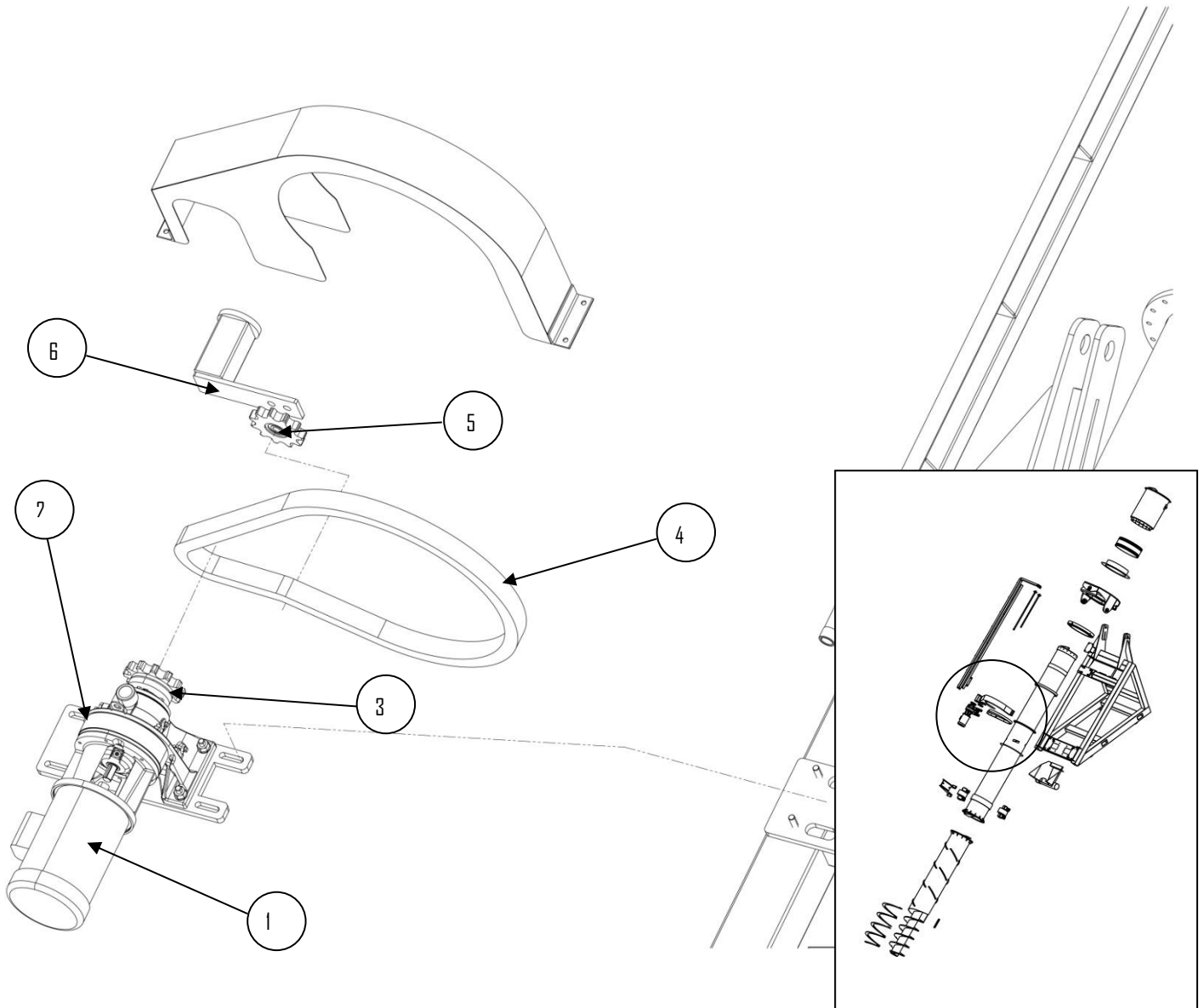
One Shot 22in Sand Separator - Components

Note: For serial numbers 4056 and above.



Label	Part #	Description
1	W749	Upper Split Flight Bell Tube Assembly
2	G106	SRS-OS Rubber Shield Coupling
3	N172	SRS-OS Fixed Drip Shroud
4	A555	Center Tube Assembly
5	E124	Lower Tube Assembly
6	K442	22" One-Shot Bolt on Sprocket
7	Y310	Stainless Steel Spray Bar with Cam Lock
8	F410	SRS-OS Stainless Steel Nozzle Bar w/cam (Open End)
9	T639	SRS-OS Dual Water Pipe Boom Assembly
10	V524	UHMW Barrel Guide Wear Pad
11	G879	Lower Auger Hardened Flight Doubler Kit
12	A430	Lower Auger Scoop
13		

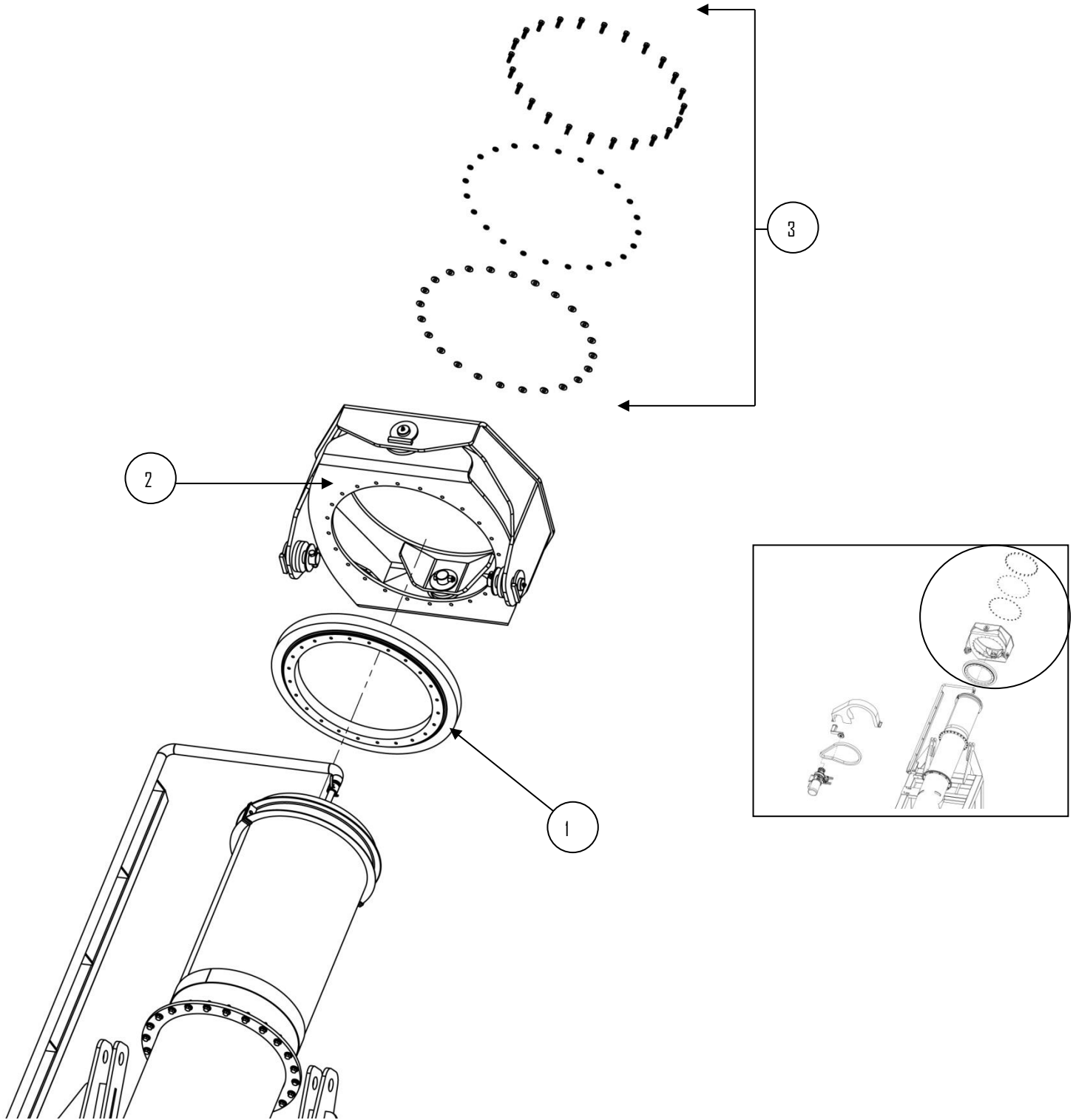
# One Shot 22in Sand Separator - Drive Assembly



Label	Part #	Description
1	Y563 F249	2H/1200/3PH/184TC/TEFC Motor -US/ Canada Nord Motor 3 HP 182TC 3 PH 50/60 - Motor- Europe
2	D174	SRS - Sumitomo Reducer-6135, 43:1
3	Q113	Drive Sprocket I20 Series 12T, QD Hub
	Q537	SS, Bushing 1-7/8"
4	D784	Chain I20 Series 9' Standard (Sold By the Foot)
	Q306	I20 Series Chain Master Link
5	V463	Sprocket IIT I20 Series
6	T463	Chain Tensioner

\*Items not listed are considered non-common replacement parts and can be custom ordered upon request.

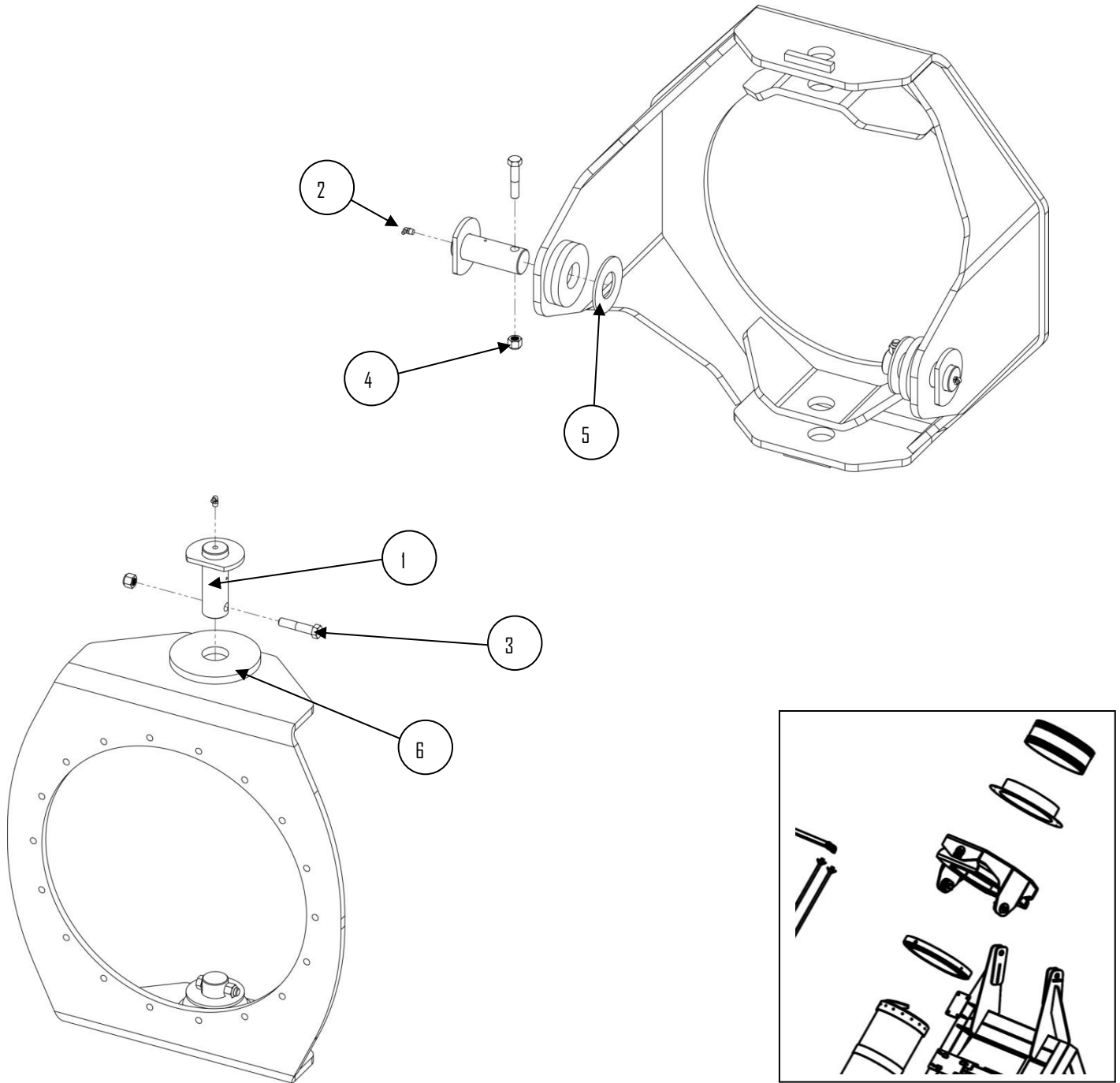
One Shot 22in Sand Separator - Bearing Assembly



Label	Part #	Description
1	P844	22" Main Bearing
2	---	Hanger Assembly
3	Y652	½"-13 x 1-½" SS Bolt
	Z370	½" SS Lock Washer
	U124	½" x 1-¼" SS Flat Wash

\*Items not listed are considered non-common replacement parts and can be custom ordered upon request.

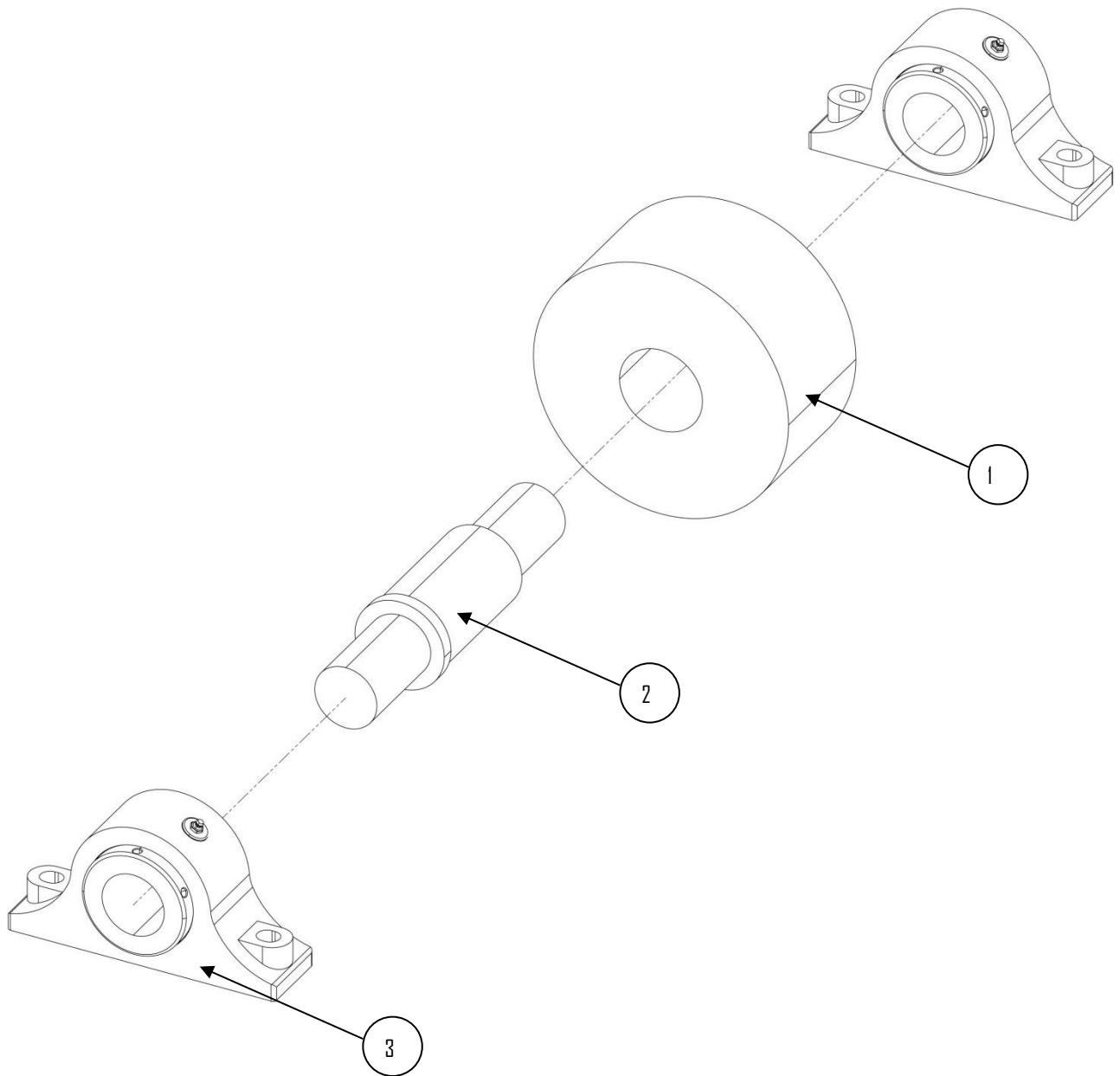
One Shot 22in Sand Separator - Hanger Assembly



\*Note: Sold as an assembly only

Label	Part #	Description
	T143	Double Joint Pin Assembly
1	---	Double Joint, Pin
2	---	Double Joint, Washer
3	---	Double Joint, Bolt
4	---	Double Joint, Nut

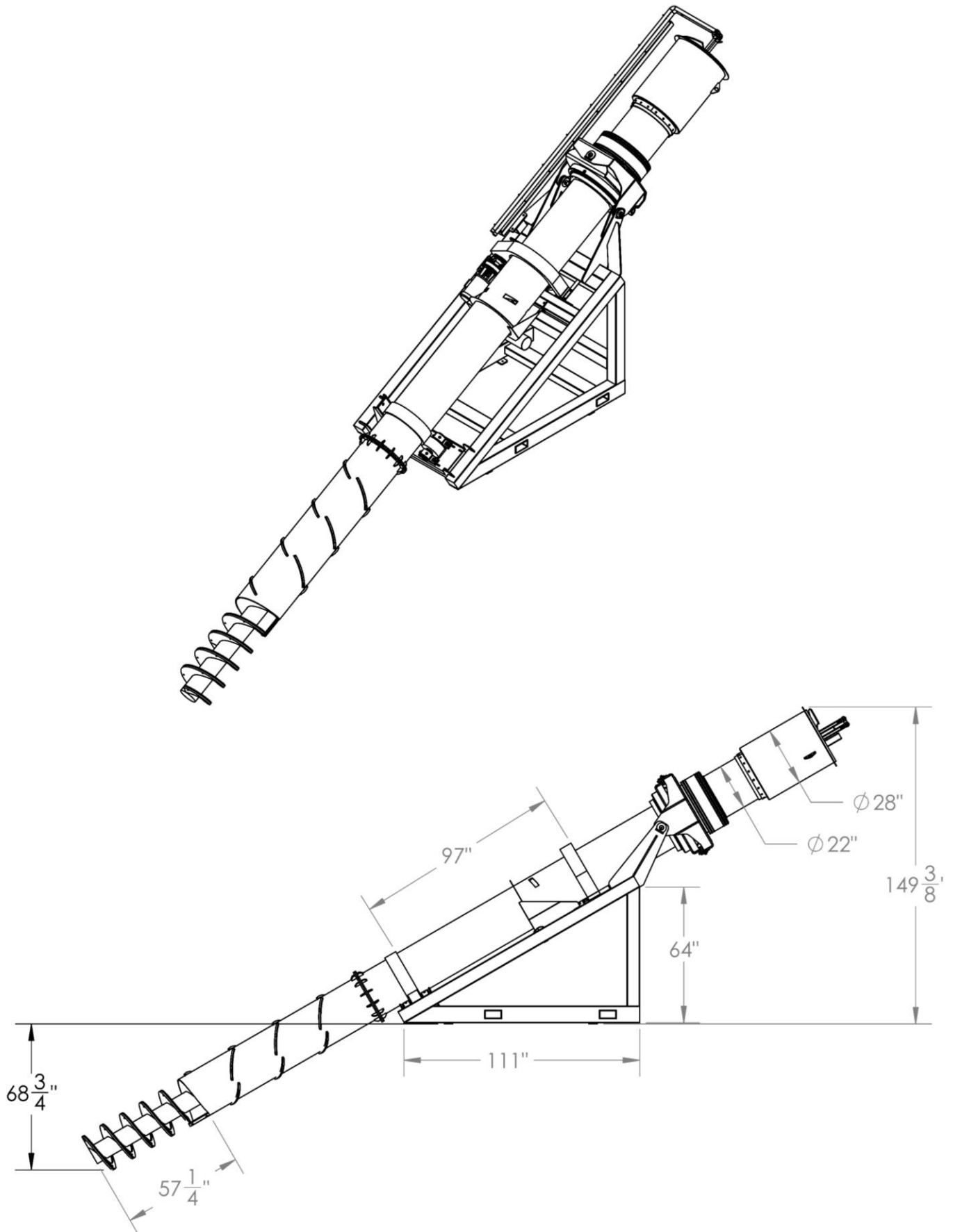
One Shot 22in Sand Separator - Wheel Assembly



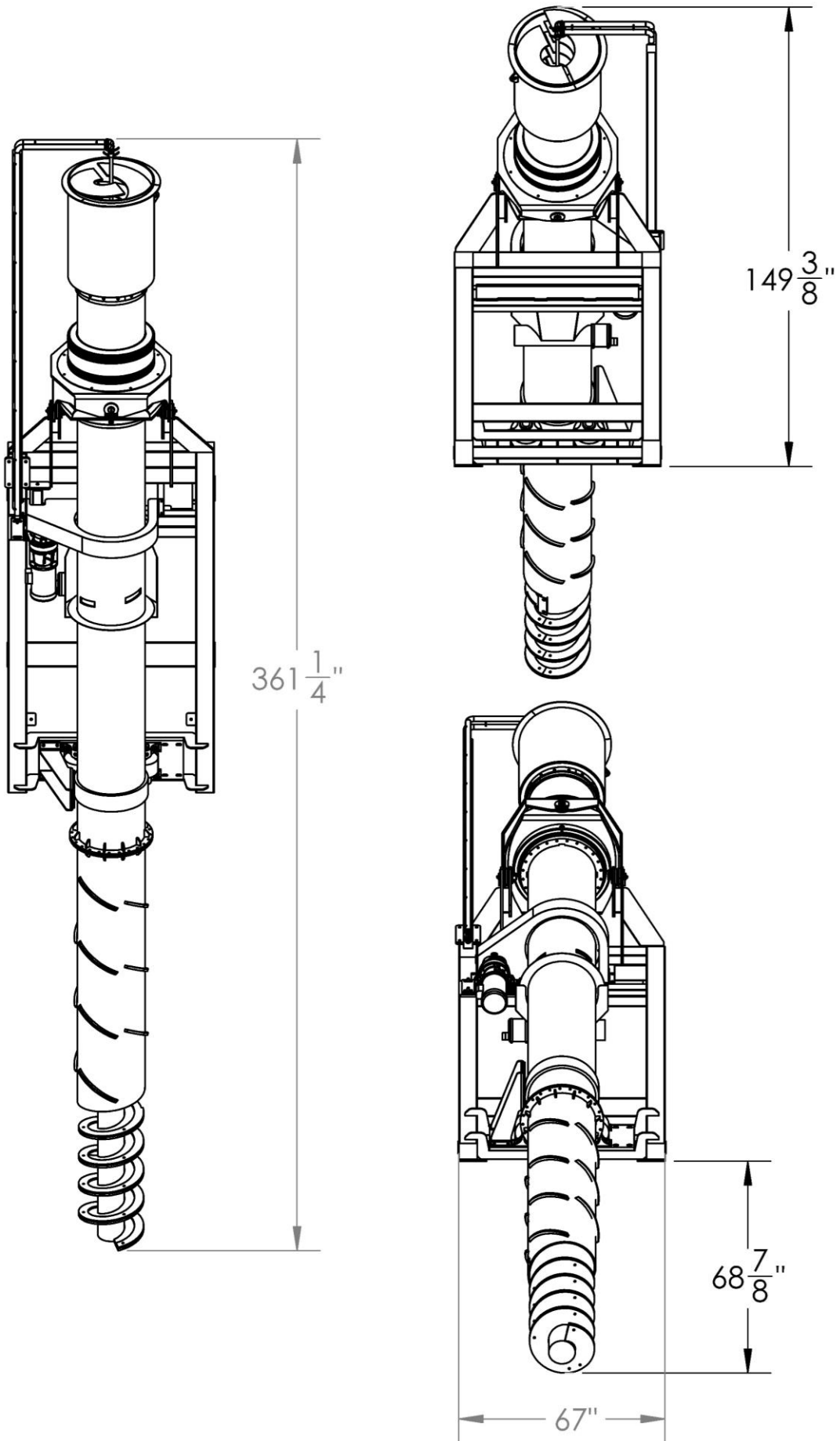
Label	Part #	Description
1	C197	One-Shot Wheel w/shaft
2		Wheel Shaft
3	U446	Type E Pillow Block



One Shot 22in Sand Separator - Overall Dimensions



One Shot 22in Sand Separator - Overall Dimensions





---

**For Technical Support, to order Replacement Parts, or for questions about other products, please contact your local dealer.**

---