



Pop – Up Flush Valve

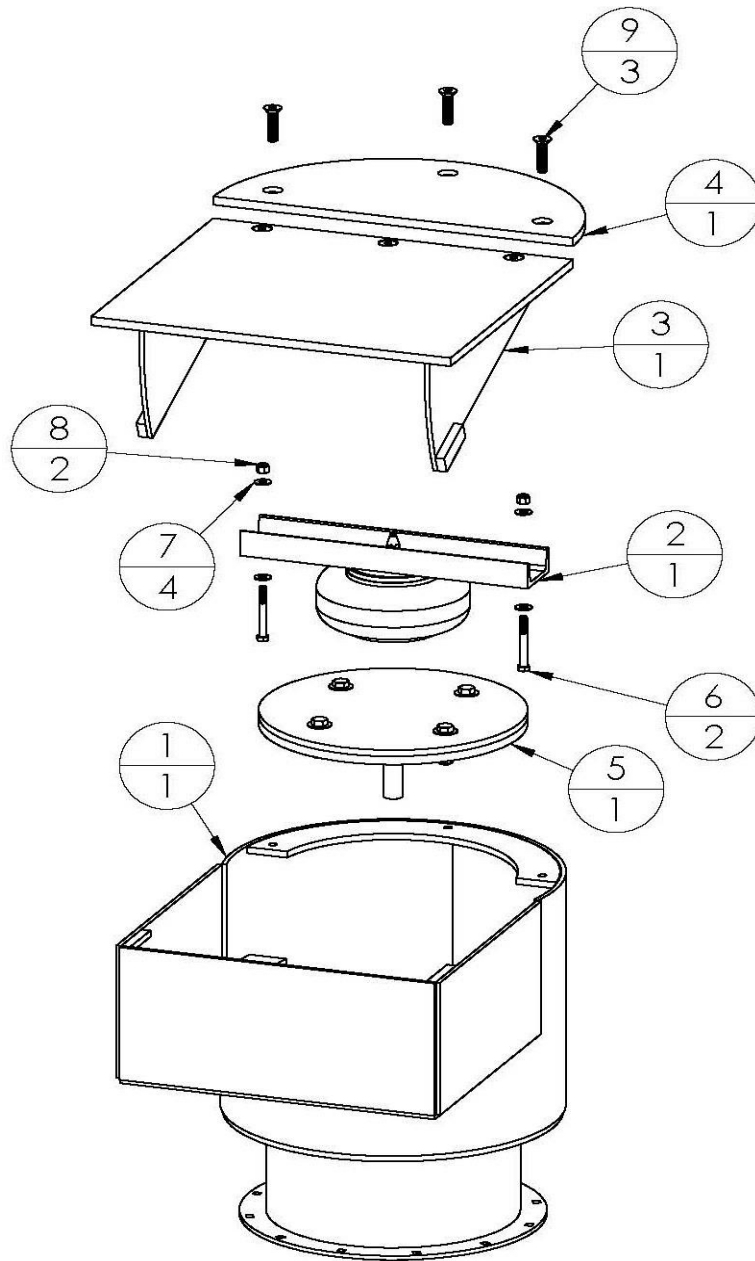


12in Pop-up

15in Pop-up

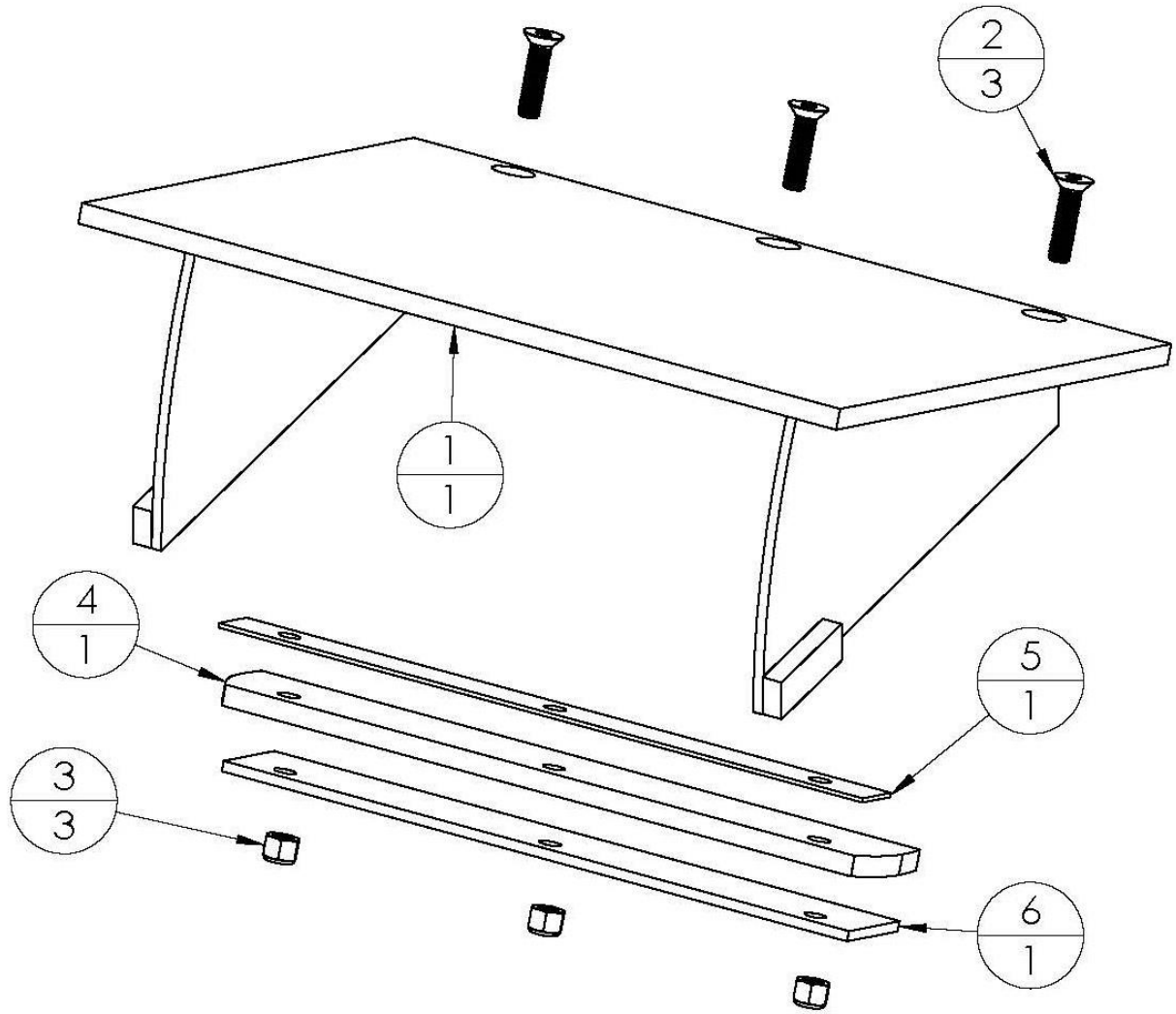


12in Pop-up Flush Valve ASM



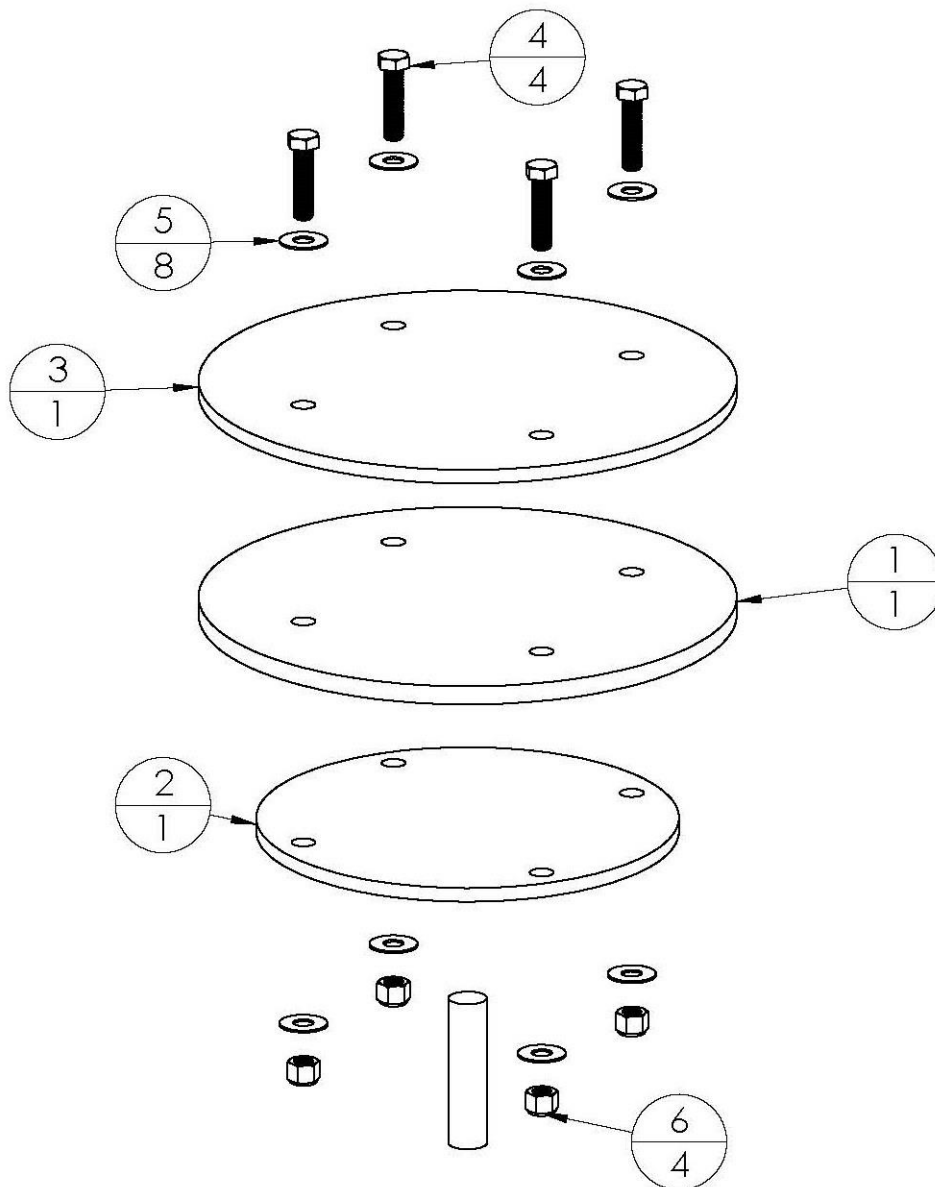
Item#	Part#	Description
1		12in Pop-Up Flush Valve Body
2		Air Bag Assembly
3		12in Pop-Up Lid Assembly
4		12in Lid Half
5		12in Plunger Assembly
6	B446	3/8" – 16 X 3" SS Bolt
7	E143	3/8" X 7/8" SS Flat Washer
8	M156	3/8" -16 SS Nylock Nut
9	Y116	1/2" - 13 X 2" SS FLT-HD SCKT Cap Screw

12in Lid ASM



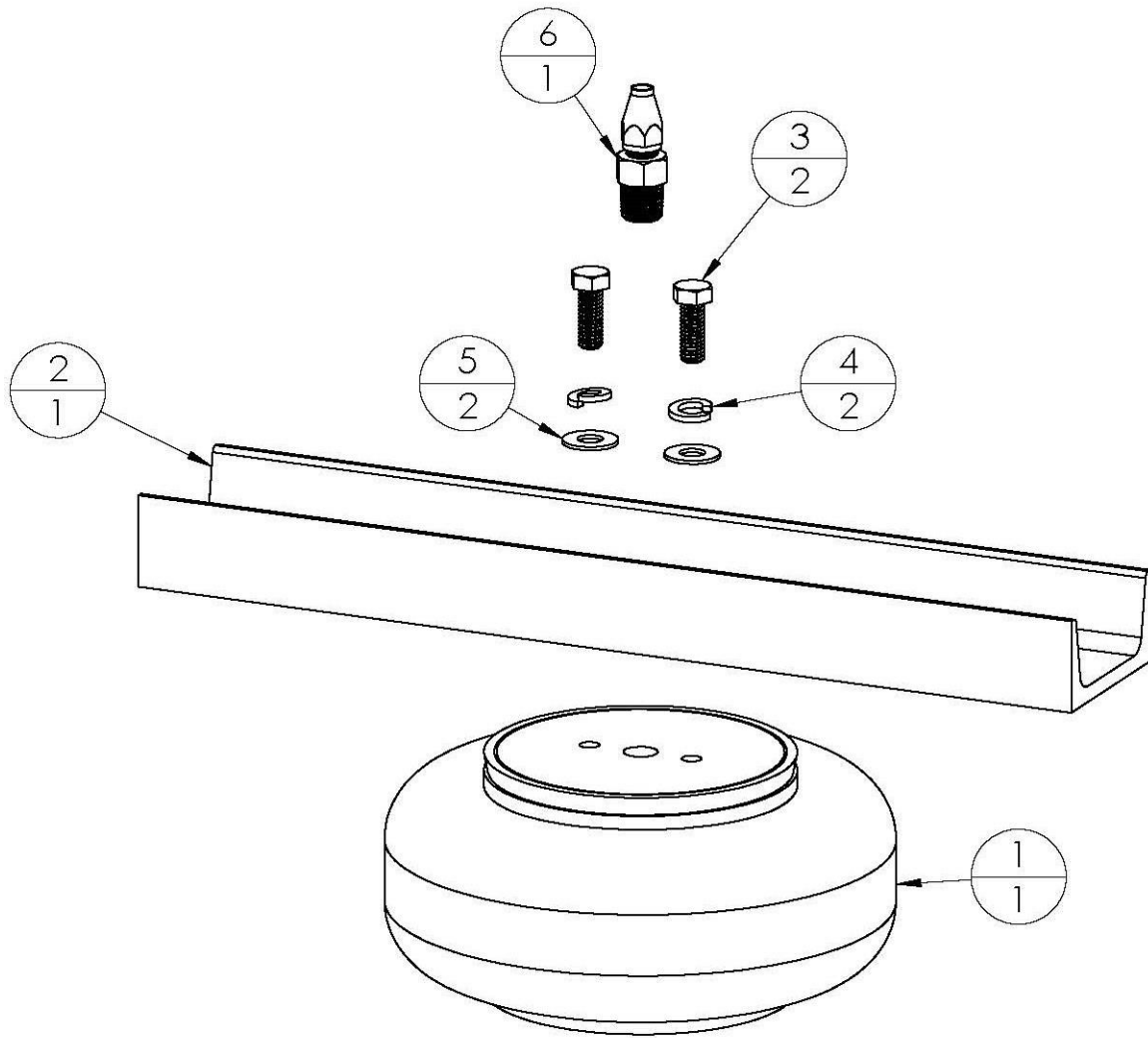
Item #	Part #	Description
1		12" Pop-Up Lid
2	Y116	1/2" – 13 X 2" SS FLT-HD SCKT CAP SCREW
3	F567	1/2" – 13 SS Nylock Nut
4	U820	12" Flush Valve Pop-up Lid Pivot Gasket
5		12" Flush Valve Lid Rubber Spacer Plate
6		12" Flush Valve Lid Rubber Cover Plate

12in Plunger ASM



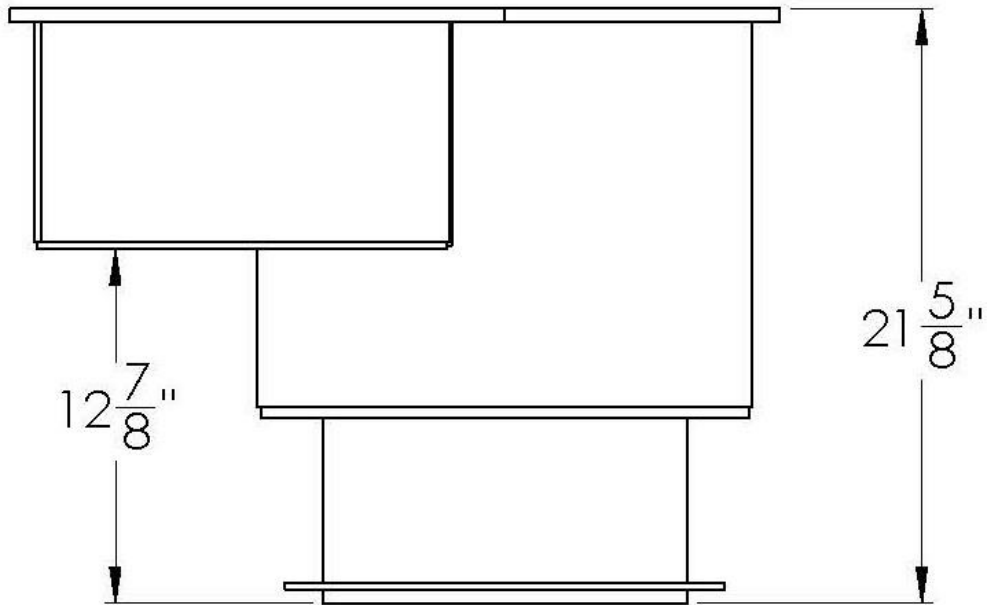
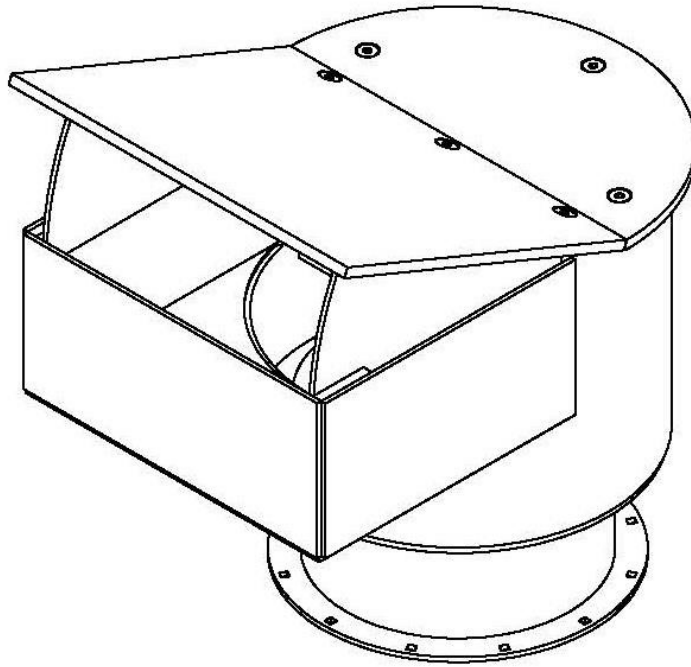
Item #	Part #	Description
1	Y900	12" Plunger Gasket
2		Plunger Bottom Assembly
3		Plunger Top Plate
4	D131	1/2" 13 X 2" SS Bolt
5	U124	1/2" X 1-1/4" SS Flat Washer
6	F567	1/2" – 13 SS Nylock Nut

12in Air Spring ASM

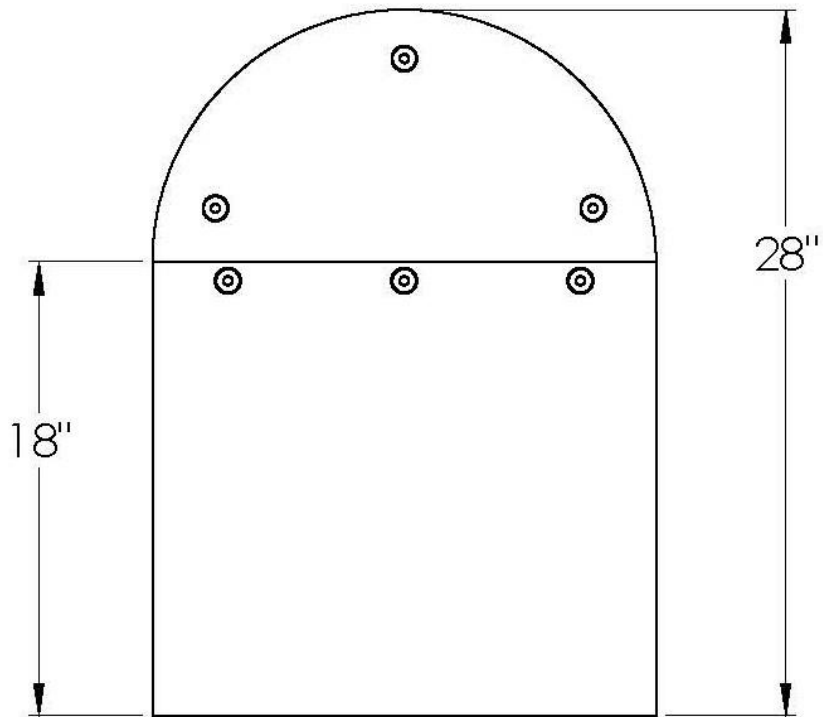
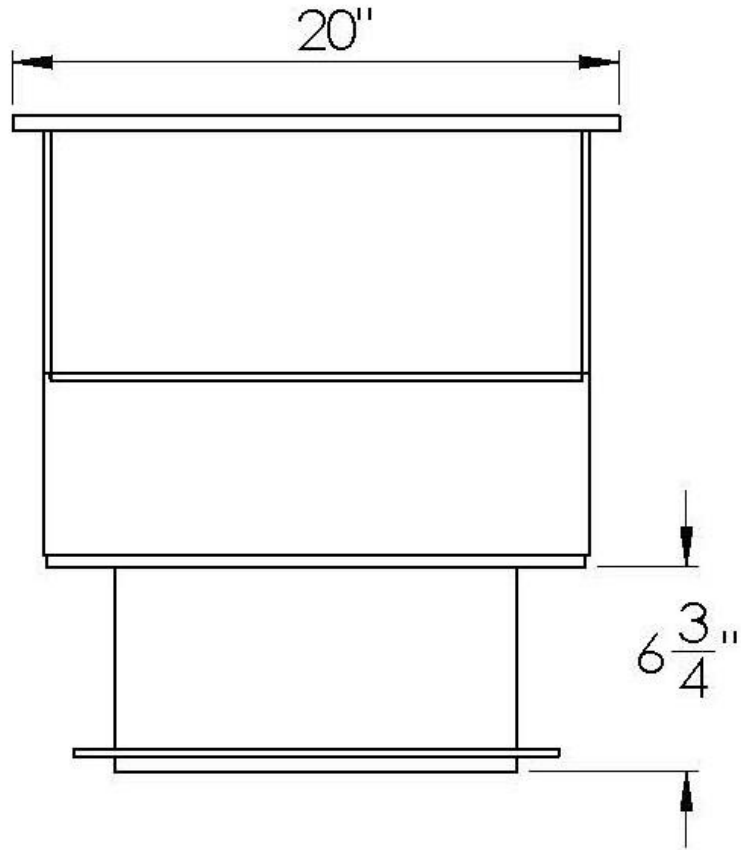


Item #	Part #	Description
1	G642	8 1/2" Air Bag
2		Air Bag Channel
3	O443	3/8" – 16 X 1" SS Bolt
4	G736	3/8" SS Lock Washer
5	E143	3/8" X 7/8" SS Flat Washer
6	W255	SS Barb Comp. Male Conn. 3/8od – 1/4" id X 1/4 rpt

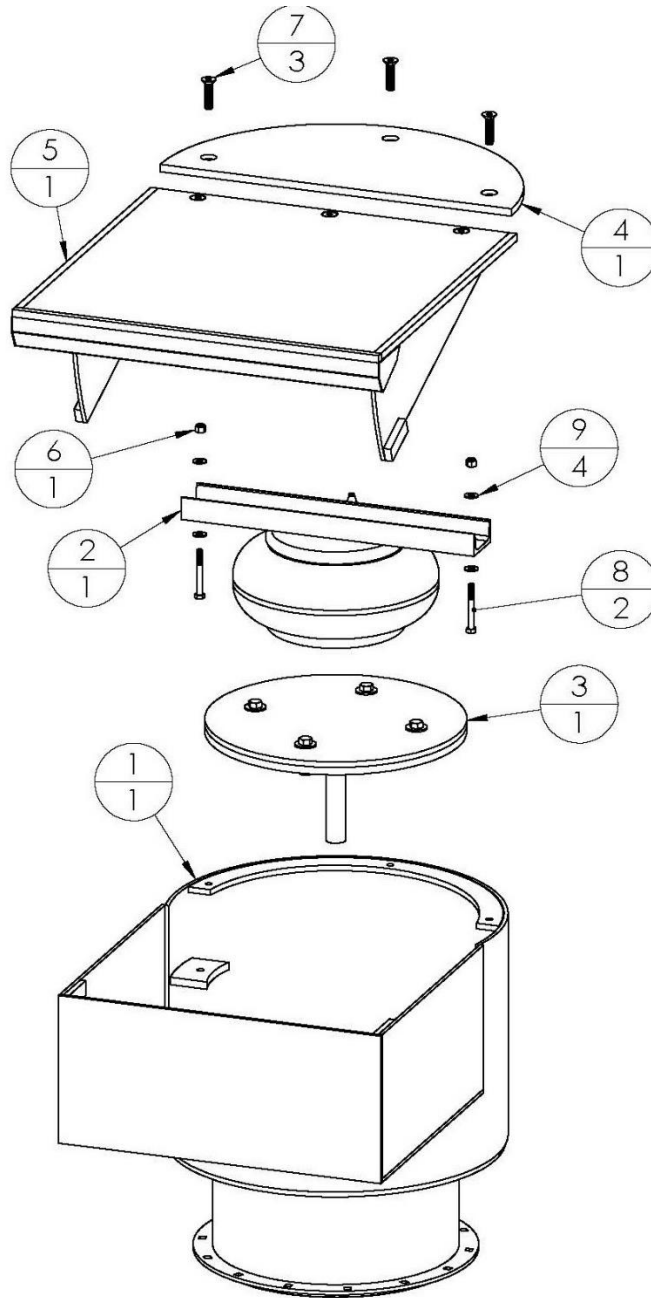
15in Overall Dimensions



15in Overall Dimensions

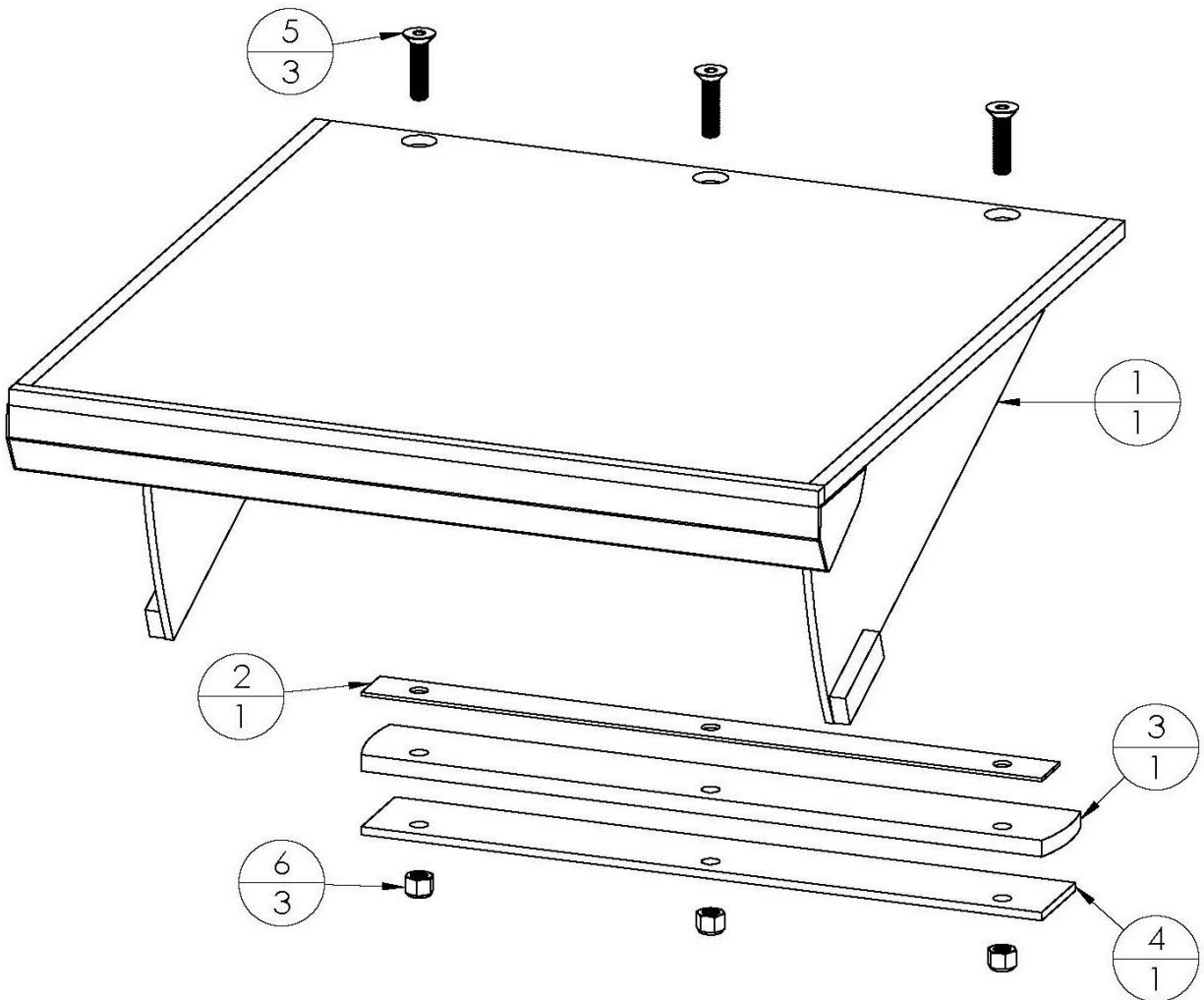


15in pop-up Flush Valve ASM



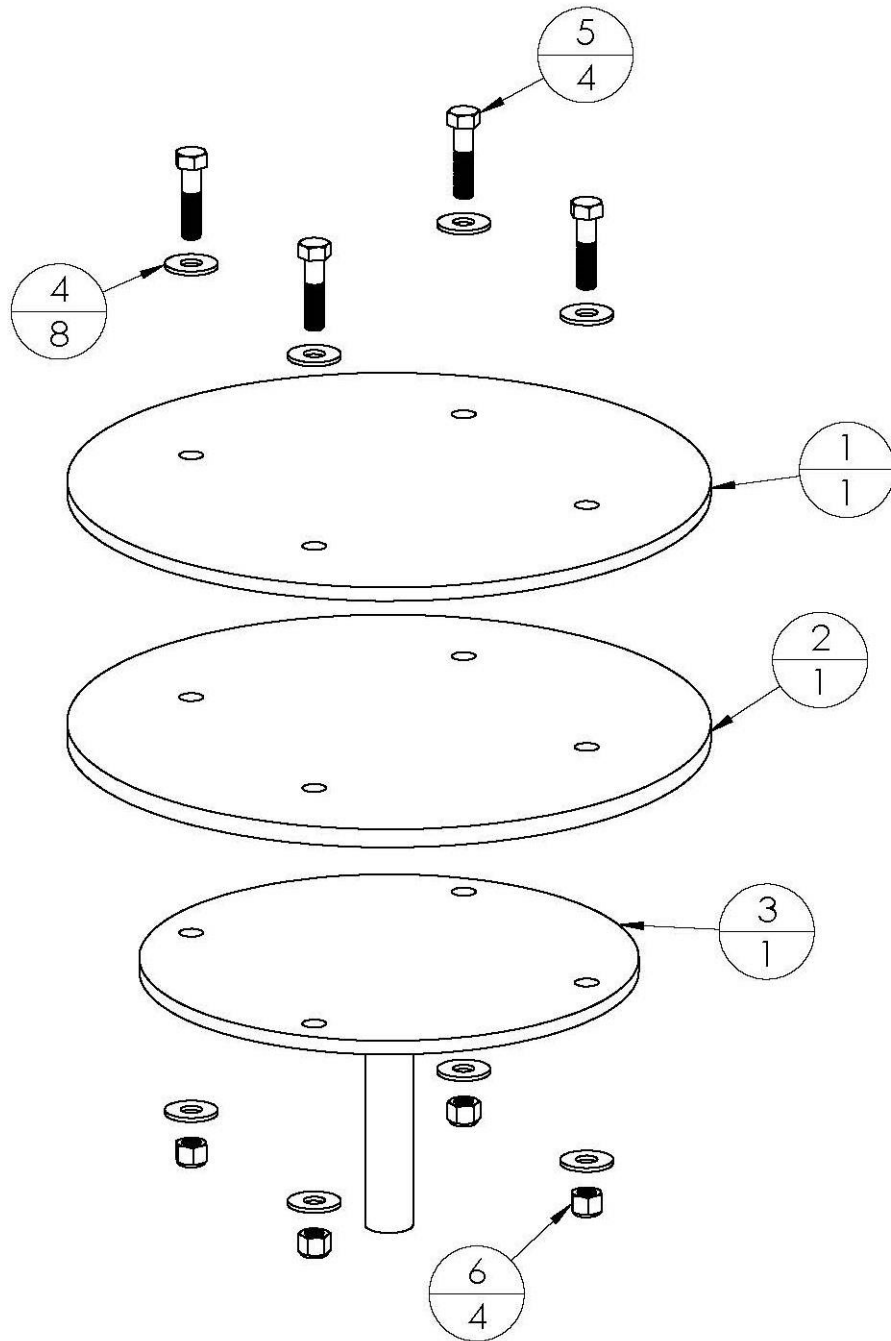
Item #	Part #	Description
1		15" Pop-up Body
2		15" Pop-up Air Bag Assembly
3		15" Pop-up Plunger Assembly
4		15" Bolt on Half Lid
5		15" Pop-up Lid Assembly
6	M156	3/8" – 16 Nylock Nut
7	Y116	1/2" – 13 X 2" SS FLT-HD SCKT Cap Screw
8	B446	3/8" -16 X 3" SS Bolt
9	E143	3/8" X 7/8" SS Flat Washer

15in Lid ASM



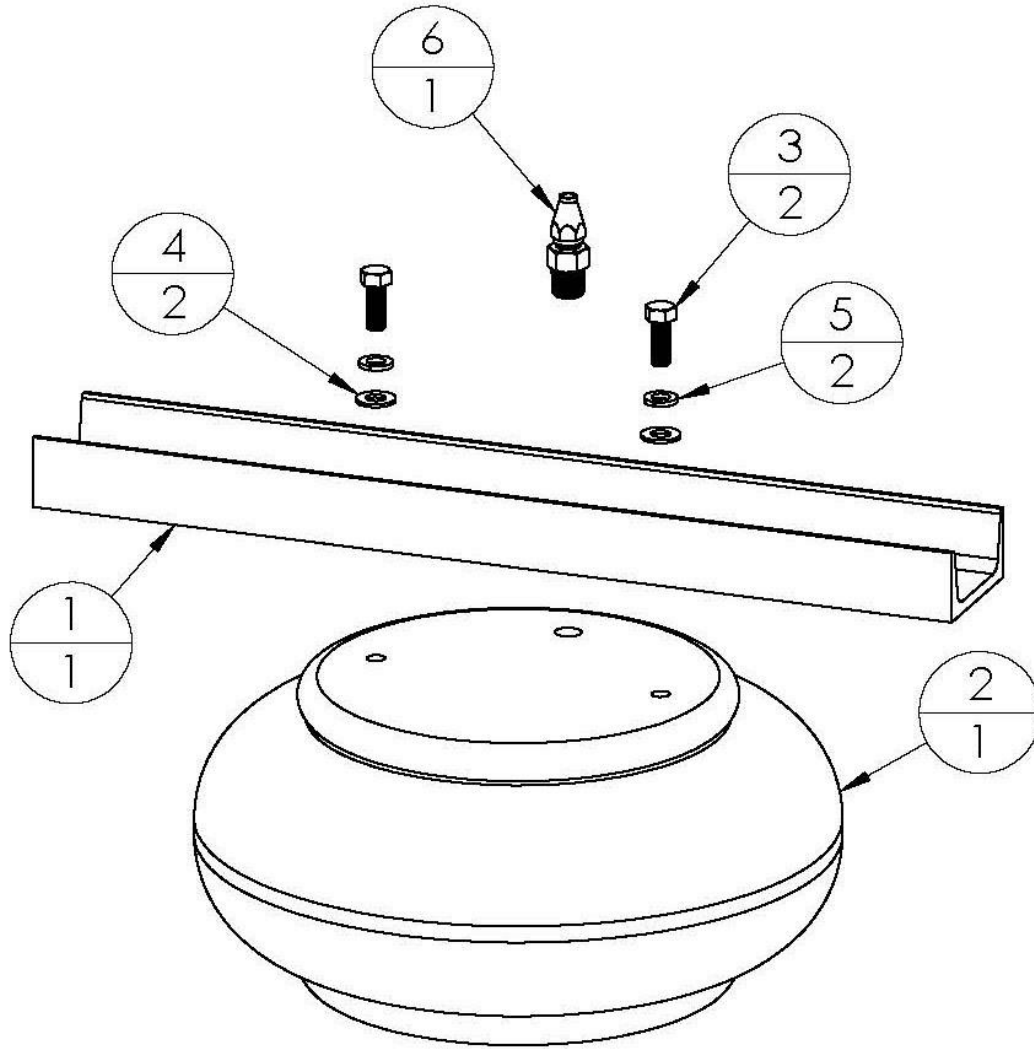
Item #	Part #	Description
1		15" Pop-up Lid Body
2		15" Pop-up Flush Valve Lid Rubber Spacer Plate
3	T404	15" Flush Valve Pop-up Lid Pivot Gasket
4		15" Pop-up Flush Valve Lid Rubber Cover Plate
5	Y116	1/2" – 13 X 2in SS FLT-HD SCKT Cap Screw
6	F567	1/2" – 13 SS Nylock Nut

15in Plunger ASM



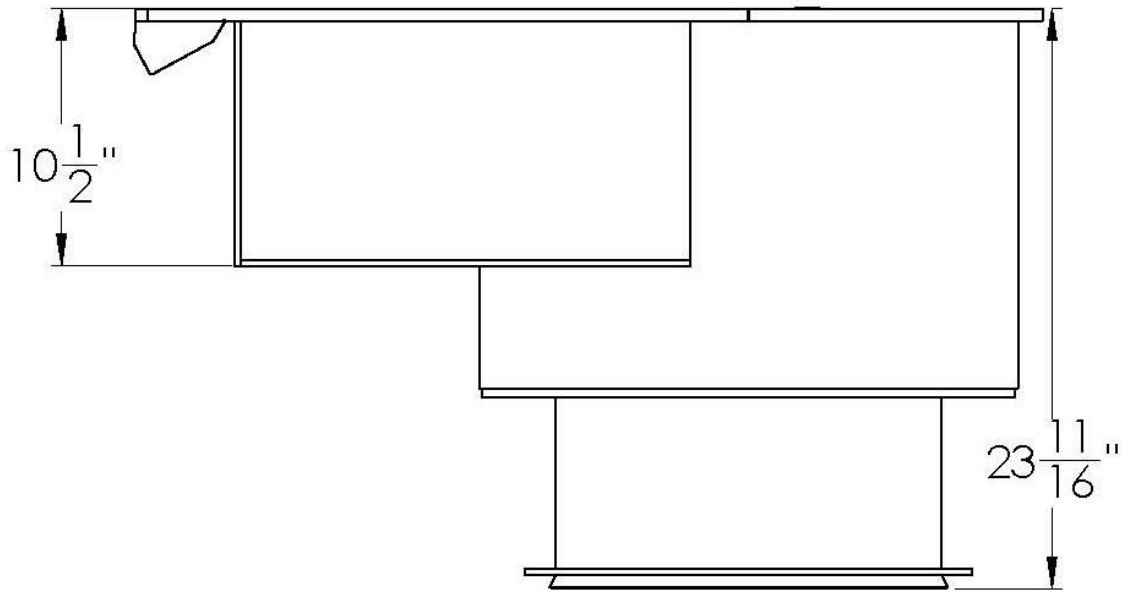
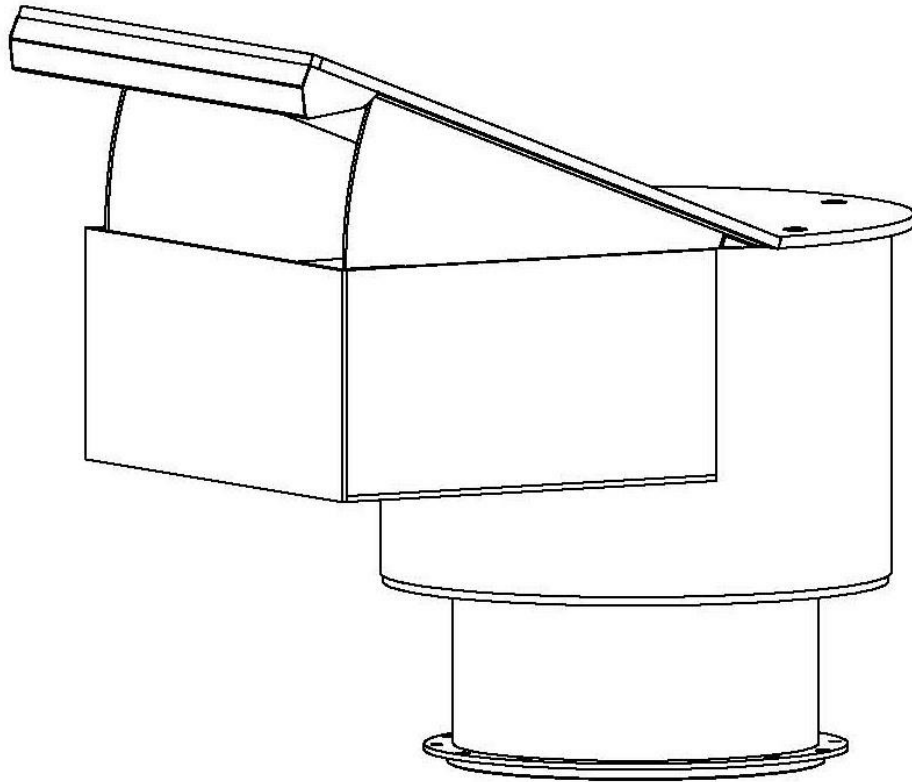
Item #	Part #	Description
1		Plunger Top Plate
2	V740	15in Flush Valve Rubber Gasket
3		Plunger Bottom ASM
4	U124	1/2" X 1-1/4" SS Flat Washer
5	D131	1/2" 13 X 2" SS Bolt
6	F567	1/2" – 13 SS Nylock Nut

15in Air Spring ASM

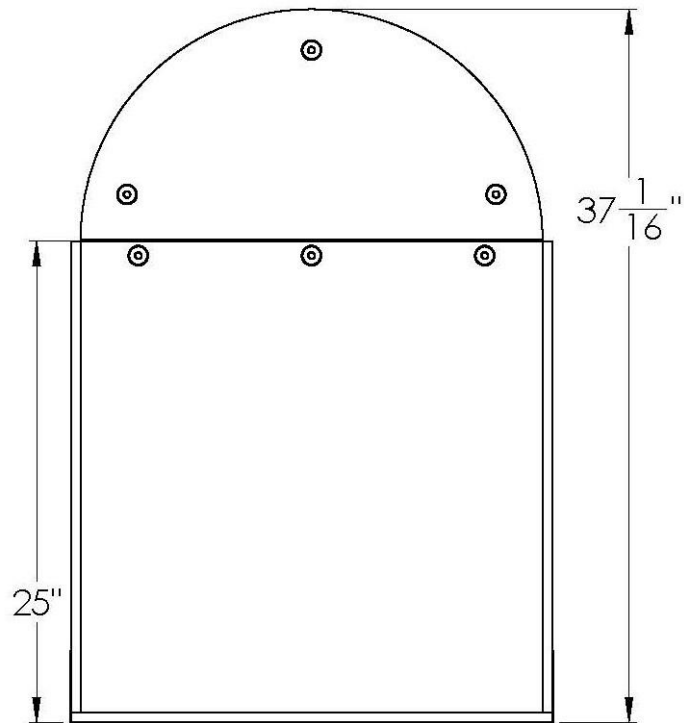
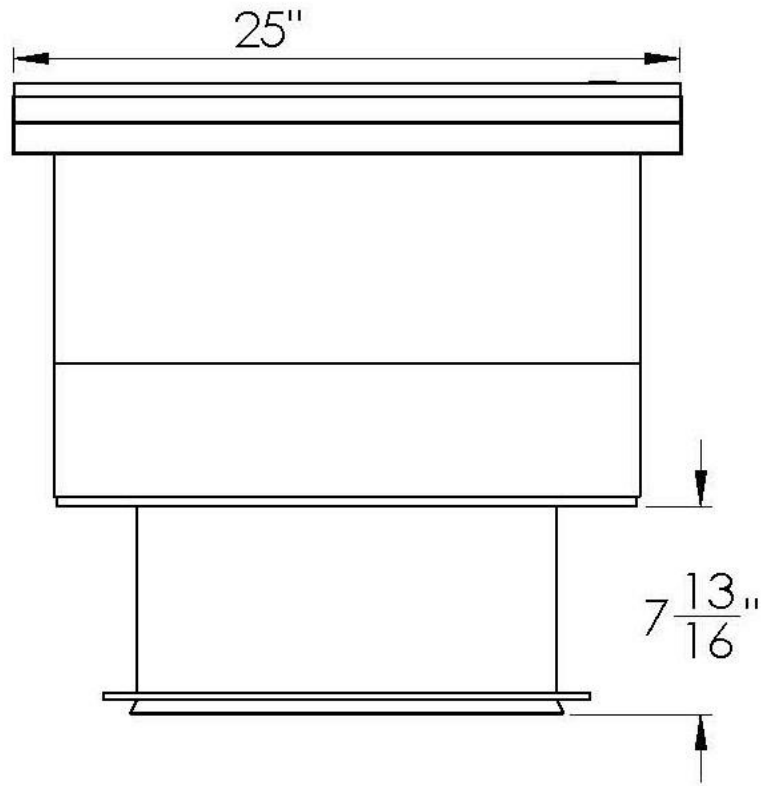


Item #	Part #	Description
1		Air Bag Channel
2	X328	13in Air Spring
3	O443	3/8" – 16 X 1" SS Bolt
4	E143	3/8" X 7/8" SS Flat Washer
5	G736	3/8" SS Lock Washer
6	W255	SS Barb Comp. Male Conn. 3/8od – 1/4" id X 1/4 rpt

15in Overall Dimensions



15in Overall Dimensions



For Technical Support, to order Replacement Parts, or for questions about other products, please
contact your local dealer.
