



DARITECH^{INC}
Manure Management

SRSsystem




For Model:

Sand Cannon 2.0 Separator
Sand Recovery System (SRS)

Sand Cannon -

Rev	Date	Changes
0		Initial completion
1	6-6-24	Seal & Bearing Assembly Part #'s Update
2		
3		
4		

Maintenance Guidelines

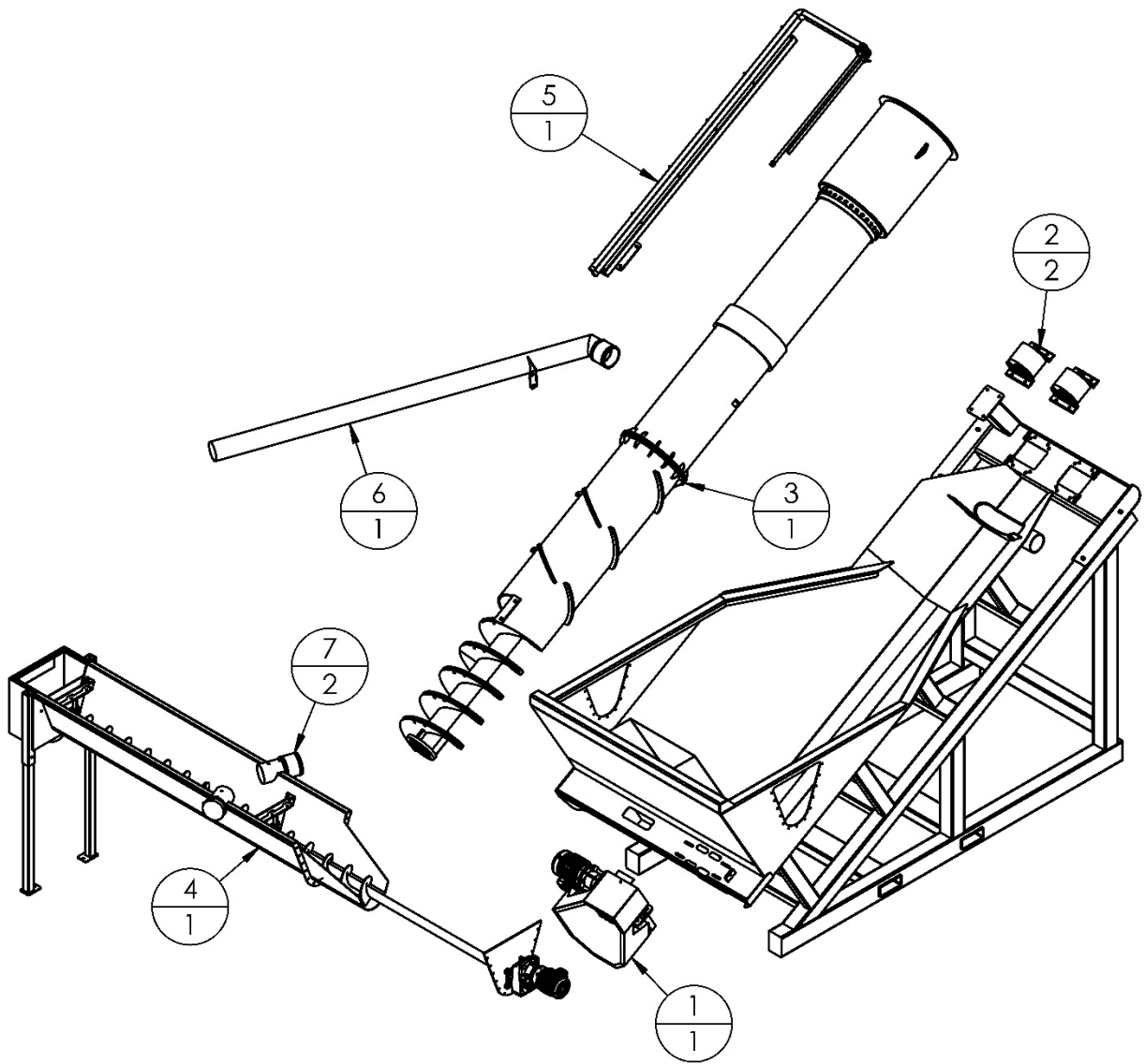
Daily	 <p>Do not reach down into fighting area. Doing such could result in serious injury. Upon inspection if a problem is found shut down operation before any further investigation.</p> <ul style="list-style-type: none"> • Inspect: <ul style="list-style-type: none"> ○ Walk around equipment and look for any unusual signs of wear. ○ Listen for any unusual noises that could indicate a potential malfunction.
WEEKLY	<p>System must be shut down for the proceeding maintenance.</p> <ul style="list-style-type: none"> • Grease bearings, two pumps each or until grease purges from seals.¹ (<i>Wipe away existing grease with a clean cloth to avoid injecting any dirt or debris into the bearing</i>). • Grease seal housing, 10 pumps to grease zerk or until grease purges from seal housing.¹
ANNUALLY	<ul style="list-style-type: none"> • Change gearbox oil on Sand Cannon² • Inspect: <ul style="list-style-type: none"> ○ UHMW thrust plate for wear (system must be drained for inspection) and replace if necessary.

1. Grease (Bearings) - Multiplex Red #2 NLGI CC-LB.
2. Sand Cannon Gearbox Oil;
 - Main-Nord Gearbox- Mobil gear 630
 - Auger-Nord Gearbox- Mobil Gear 636



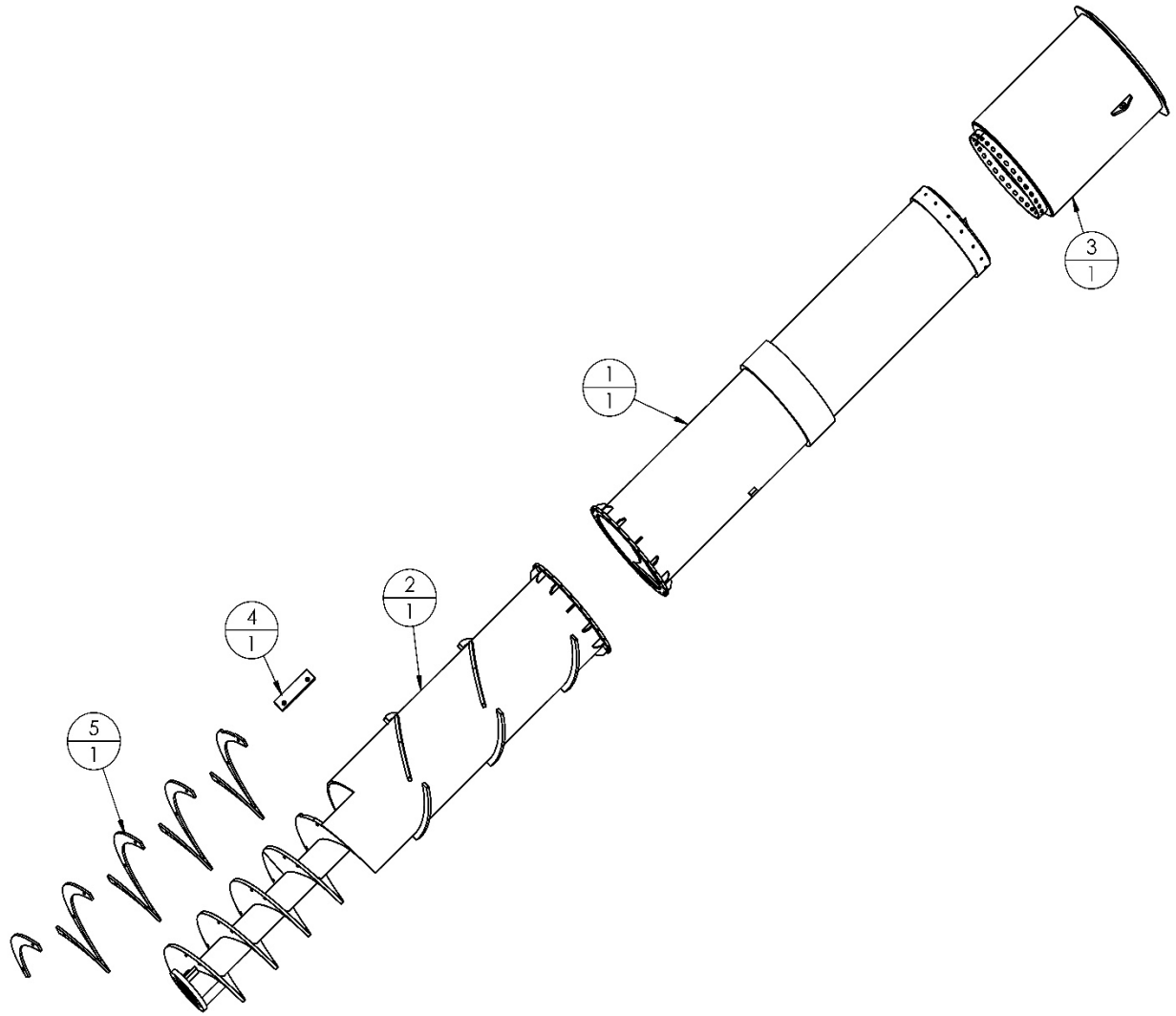
Improper mixing of unlike grease can cause bearing failure.

Sand Cannon -



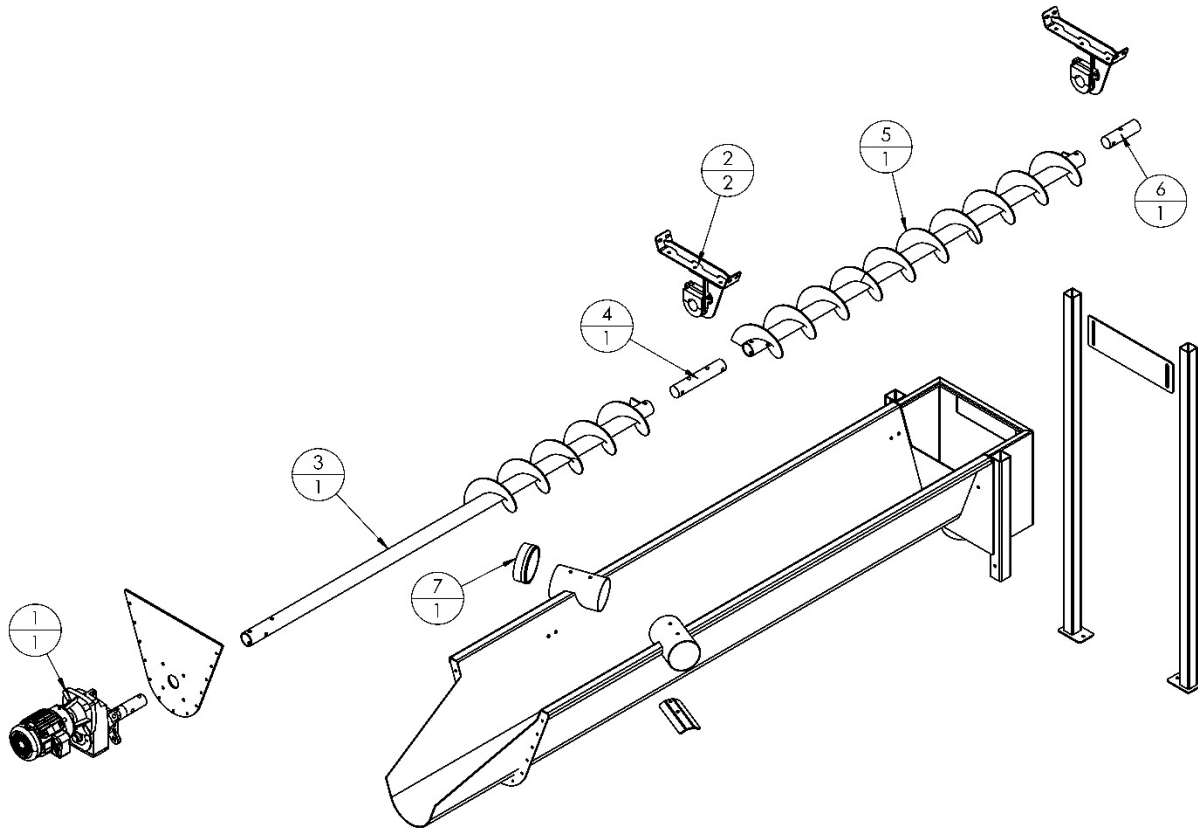
Label	Part #	Descriptions
1	---	Main Motor & Gear Box Assembly
2	---	Nylon Wheel Assembly
3	---	SC2 22in Tube Auger Assembly
4	---	9in SC2 Cross Auger Assembly
5	---	Water Boom Assembly
6	---	Corn Transfer Pipe Assembly
7	L180	6" Rubber Fernco Coupler

Sand Cannon -



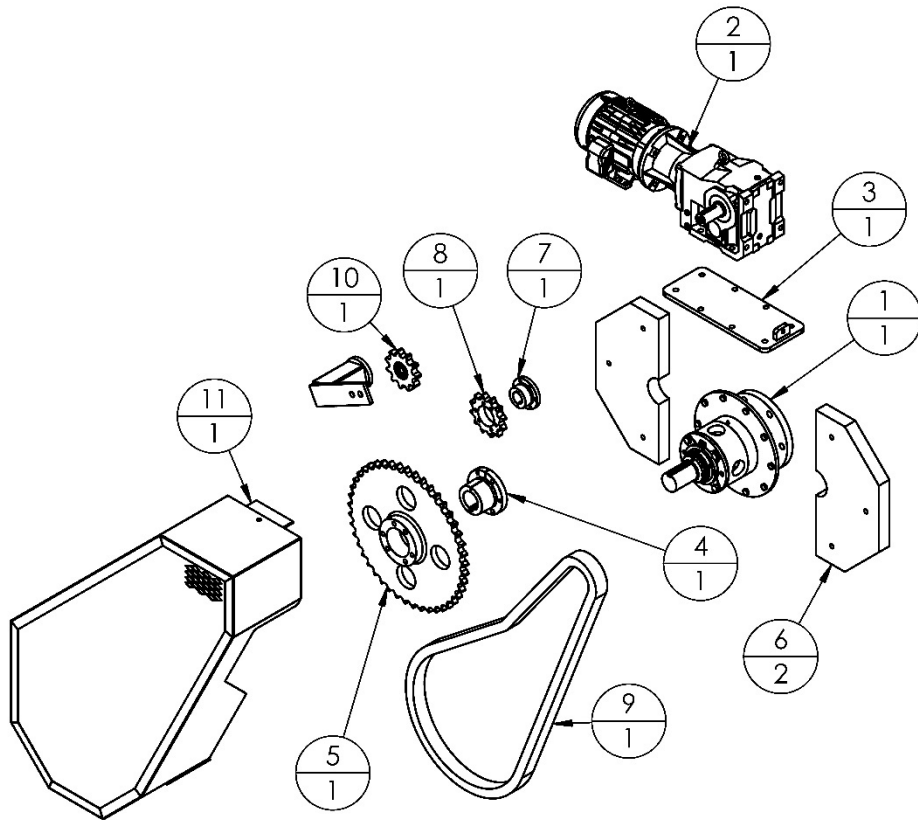
Label	Part #	Descriptions
1	W540	SRS SC Upper Tube
2	E556	SRS SC Lower Tube
3	W749	SRS-OS upper Split Flight Bell Tube Assembly
4	A430	SRS-OS Wear Plate Lower Auger Scoop
5	G879	SRS-OS Lower Auger Hardened Flight Doubler Kit

Sand Cannon -



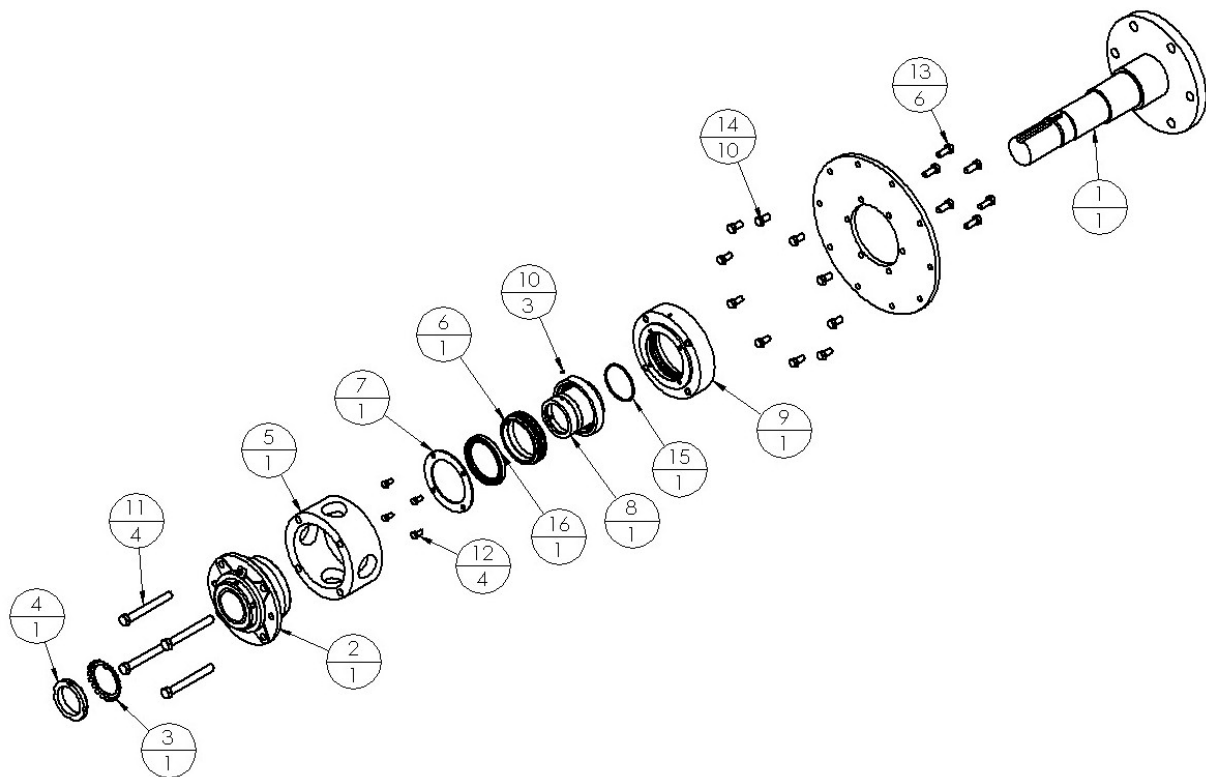
Label	Part #	Descriptions
1	W640	Nord Gearbox - 1.5 HP w/ Motor 3 PH 51.7:1
2	---	Full Cross Auger Baring ASM
3	---	SC2 - Cross Auger Drive Section
4	X454	Auger Coupling Shaft 2-7/16" Diameter
5	---	SC2 - Cross Auger Secondary Section
6	A602	Auger End Shaft 2-7/16" Diameter
7	R502	6" Fernco Cap

Sand Cannon -



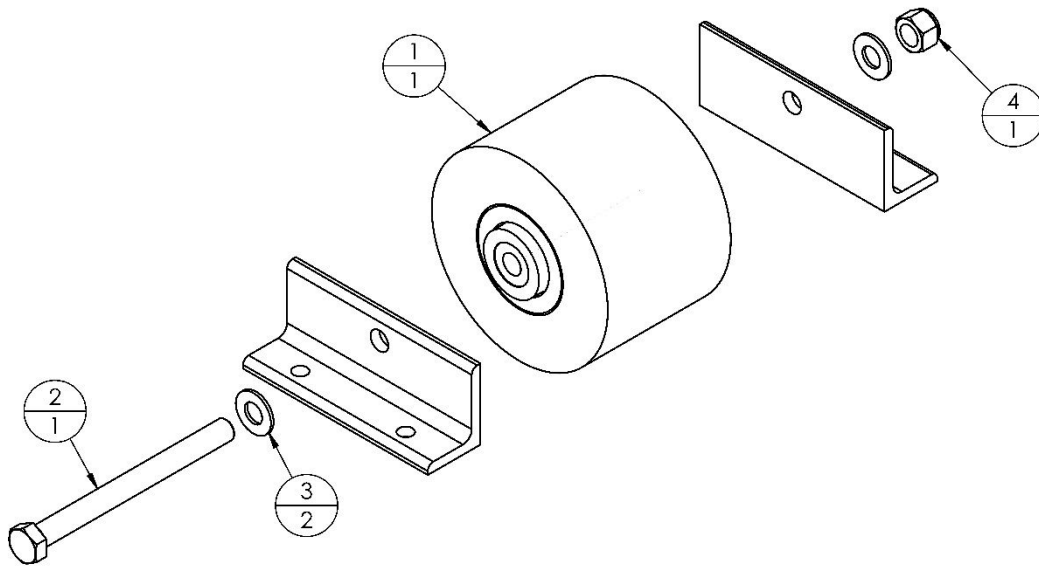
Label	Part #	Descriptions
1	---	Seal & Bearing Assembly
2	W838	Nord Gear Box 5HP w/Motor 3PH 75.91:1 (SC Gen 2)
	Q194	Nord Gearbox Only 5HP 75.9:1 (SC Gen 2)
	N245	Nord Motor Only 5HP (SC Gen 2)
3	---	SC2- Drive Motor Mount
4	Q757	QD Bushing F 2-3/4"
5	W159	QD Sprocket 45 Tooth #120
6	M640	Hopper Bottom Plastic Half SC2, 2" UHMW REPRO
7	U526	QD Bushing SF 1-3/4"
8	F214	QD Sprocket 12 Tooth #120
9	L849	120 Aqua Series HKK Chain
10	V463	Idler Sprocket, 120 Series, IIT
11	---	SC2 Drive Cover

Sand Cannon -



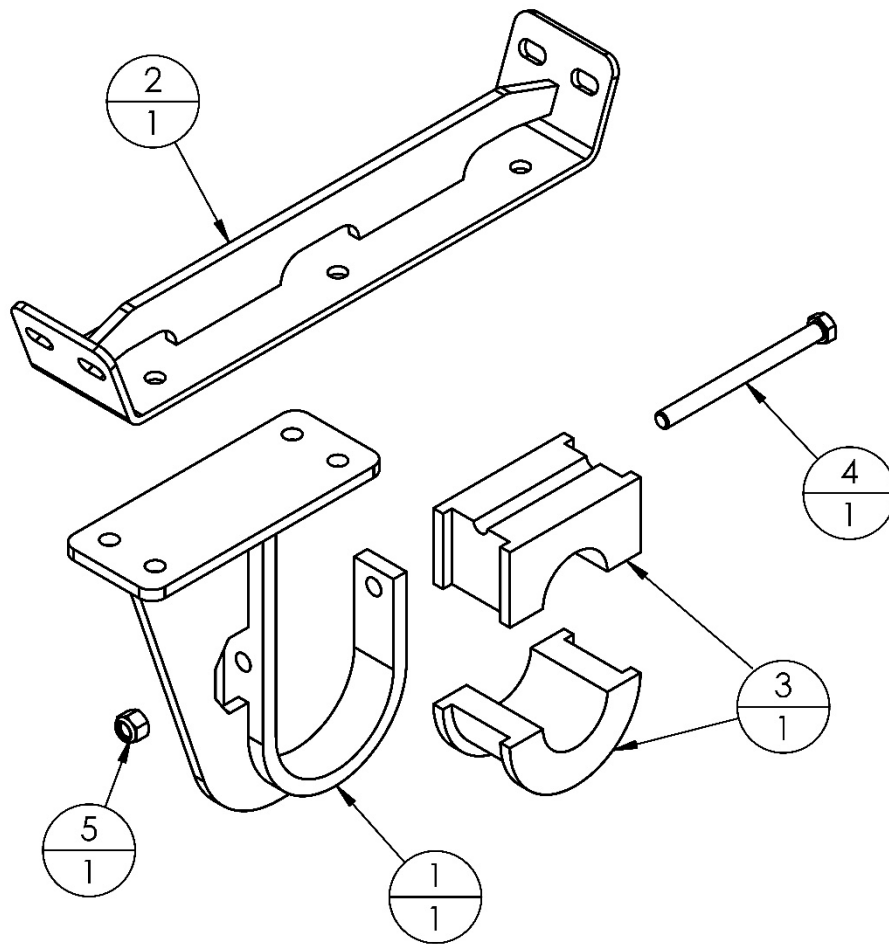
Label	Part #	Descriptions
1	T211	SRS Bolted Stub Shaft SC2.0
2	Z192	2-15/16" Dodge Bearing Tapered Roller Piloted Flange
3	T608	Bearing Nut Lock Washer W-15
4	J713	Bearing Nut Tan-15
5	Q327	Piloted Flange Spacer
6	D171	SRS-DS/SC Trelleborg Seal
7	M487	Seal Retainer Ring - Trelleborg
8	D723	Trelleborg Face Seal Inner Collar - Stainless Steel SS303
9	A568	Trelleborg Outer Housing SC 2.0
10	J386	1/4" - 28 X 5/8" Set Screw Black
11	Z450	5/8"-11 X 5-1/2" SS Hex Bolt
12	E718	3/8" - 16 X 3/4" SS Hex Cap Bolt
13	D273	1/2"-13 X 1-1/4" SS Bolt
14	K781	1/2" - 13 X 1" SS Hex Bolt
15	Z219	#236 O-Ring
16	N242	SXF Seal 95X120X12 HMSAID RG (562881)

Sand Cannon -



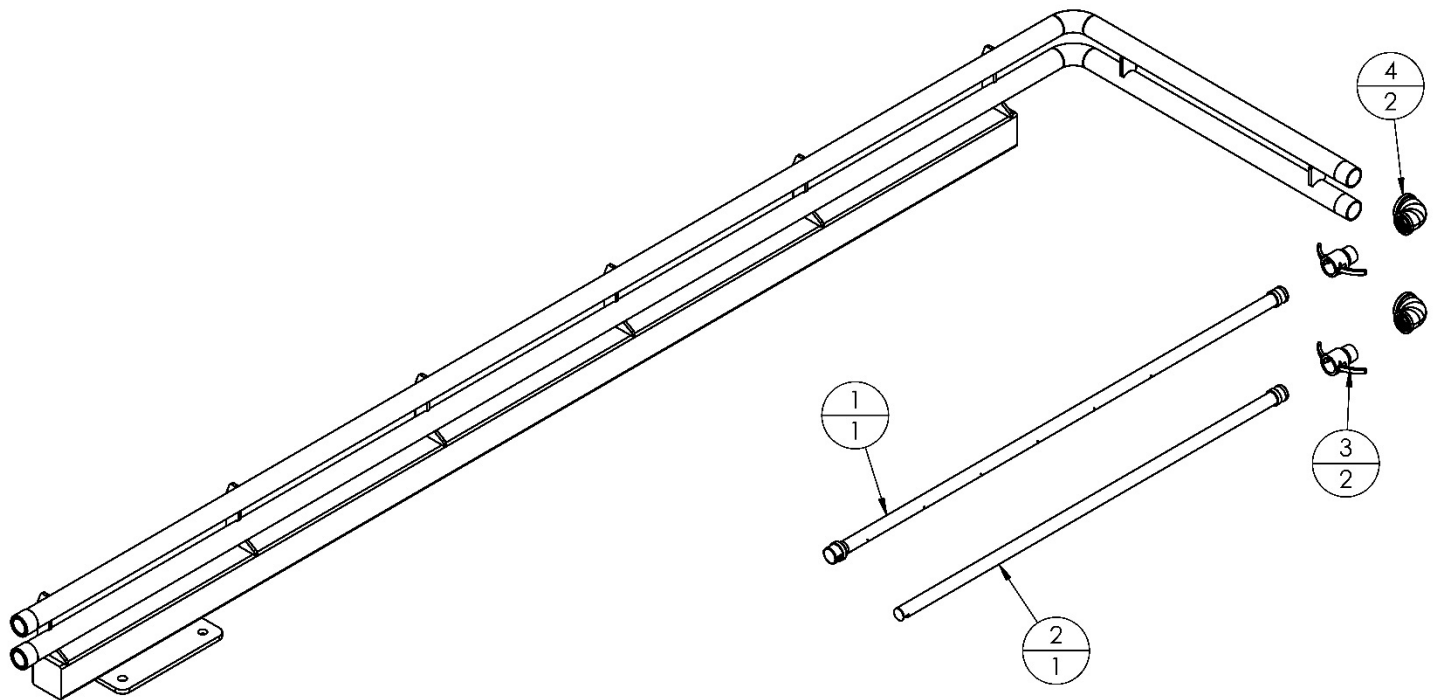
Label	Part #	Descriptions
1	Q780	SRS OS Gen 2 Nylon Idler Wheel Complete
2	Q318	1" X 11" Hex Bolt Zinc
3	Z413	1" SAE Zinc Flat Washer
4	M409	1" Zinc Nylock

Sand Cannon -



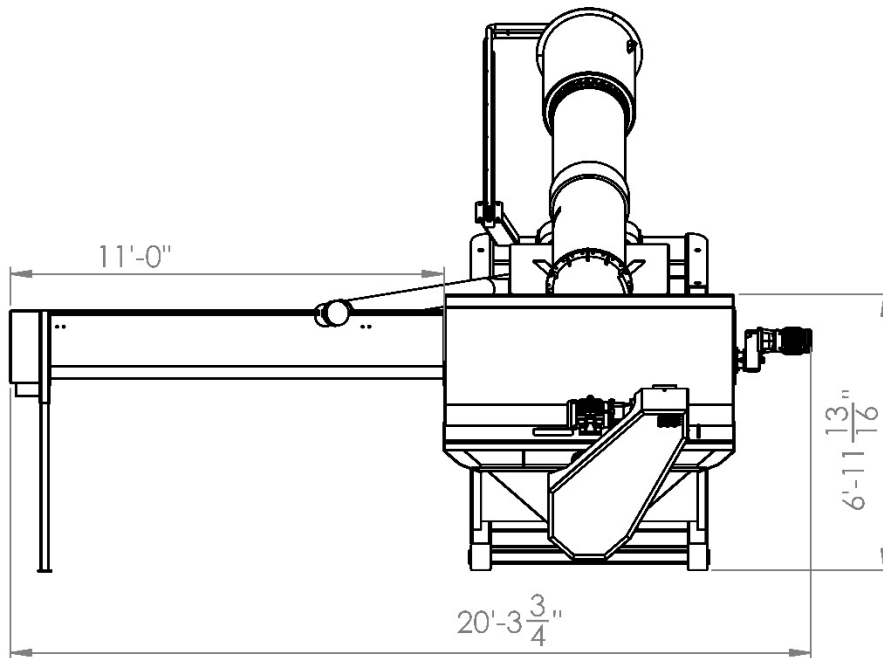
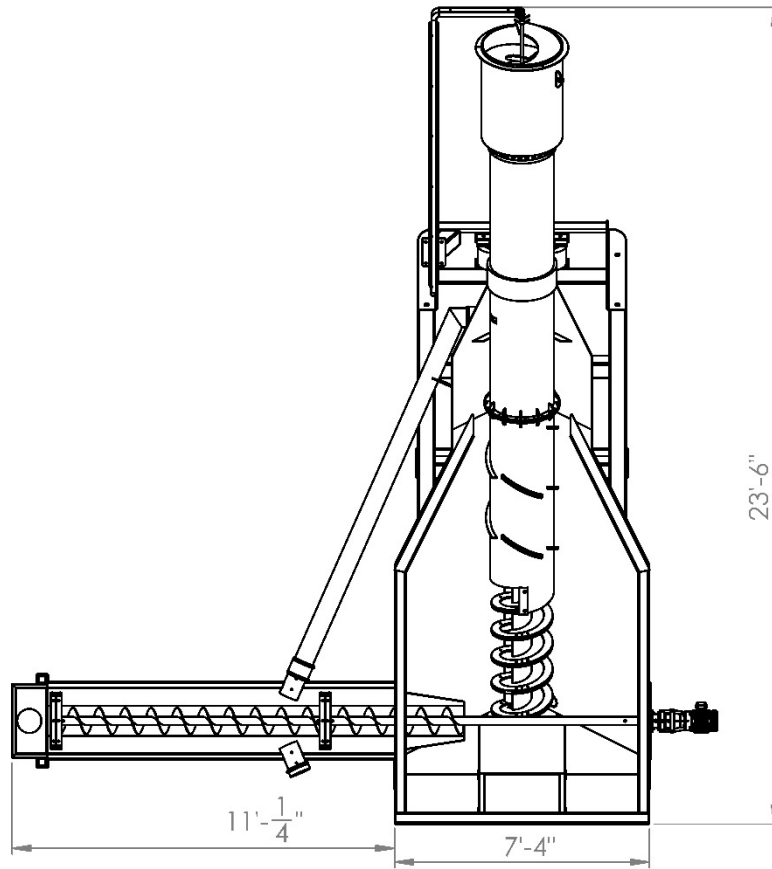
Label	Part #	Descriptions
1	---	Upper Mount
2	---	Lower Hook Mount
3	Z853	3" Urethane SC2 Cross Auger Bearing
4	S735	1/2"-13 X 6" Zinc Hex Bolt
5	L524	1/2"-13 Zinc Nylock Nut

Sand Cannon -

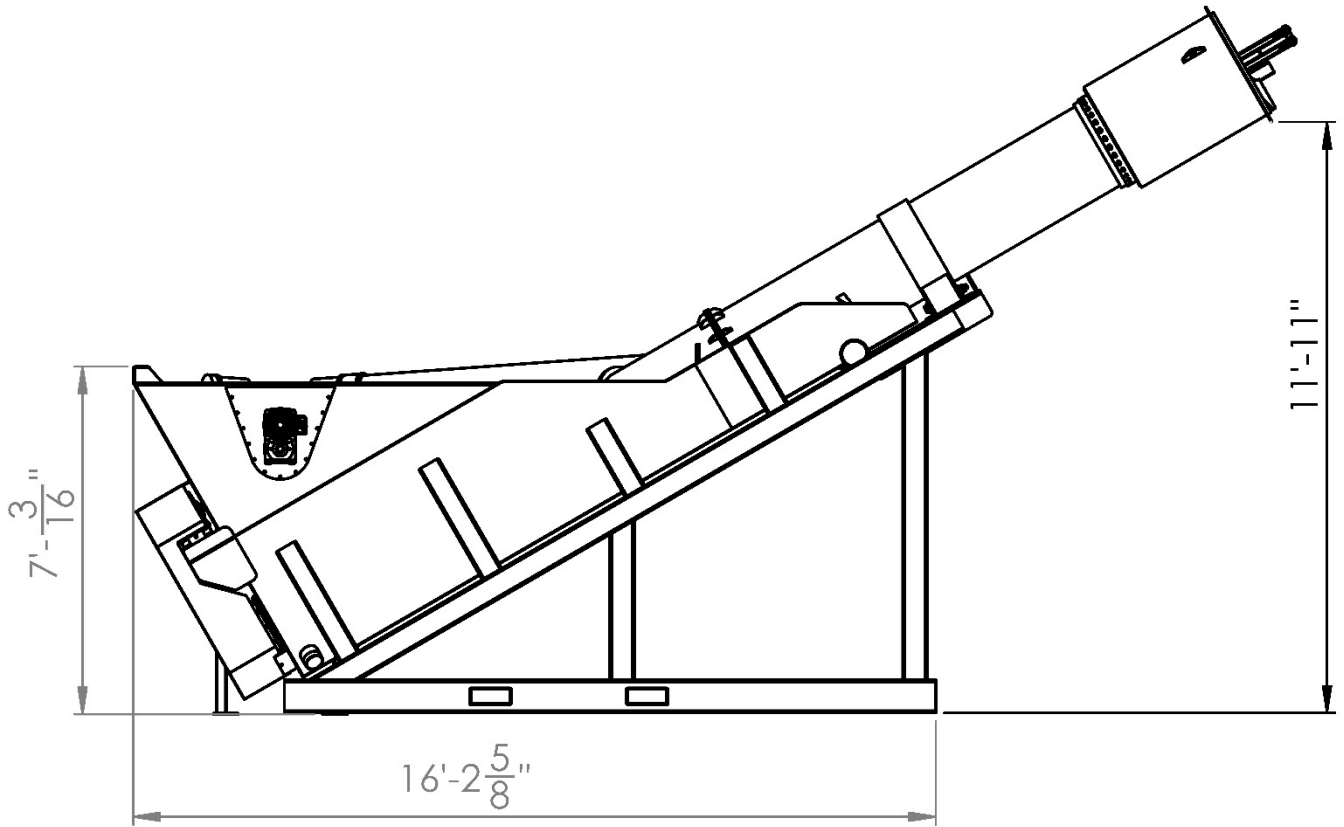


Label	Part #	Descriptions
1	Y310	Stainless Steel Spray Bar with Cam Lock
2	F410	SRS-OS Stainless Steel Nozzle Bar with Cam Lock (Open End)
3	0455	1" SS Female Cam X FPT
4	N791	1-1/4" X 1" Galv Bushing
	S276	1" X CL Galv Nipple
	0745	1-1/4" Galv 90

Sand Cannon -



Sand Cannon -



For Technical Support, to order Replacement Parts, or for questions about other products, please contact your local dealer.
