

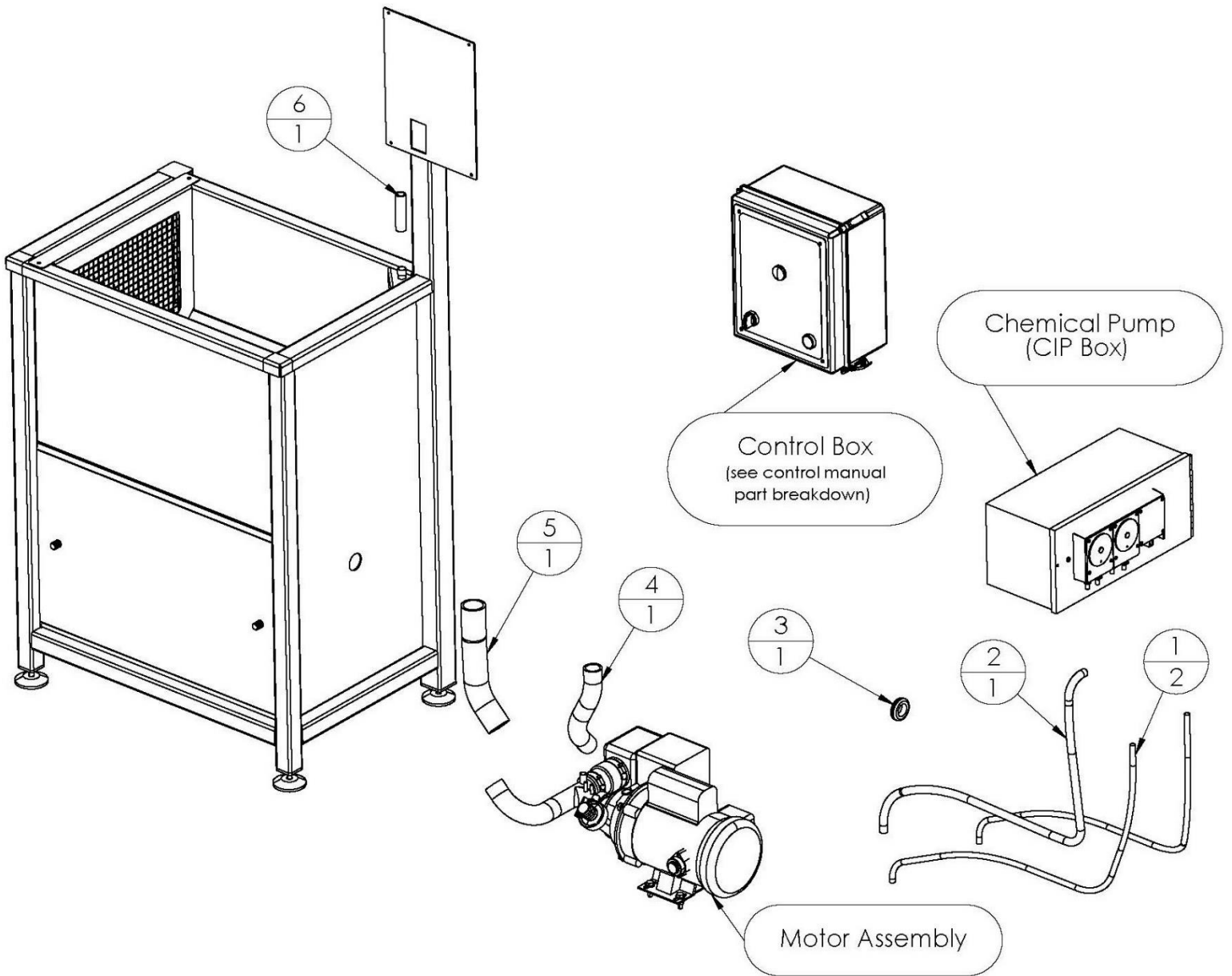


Nipple Washer



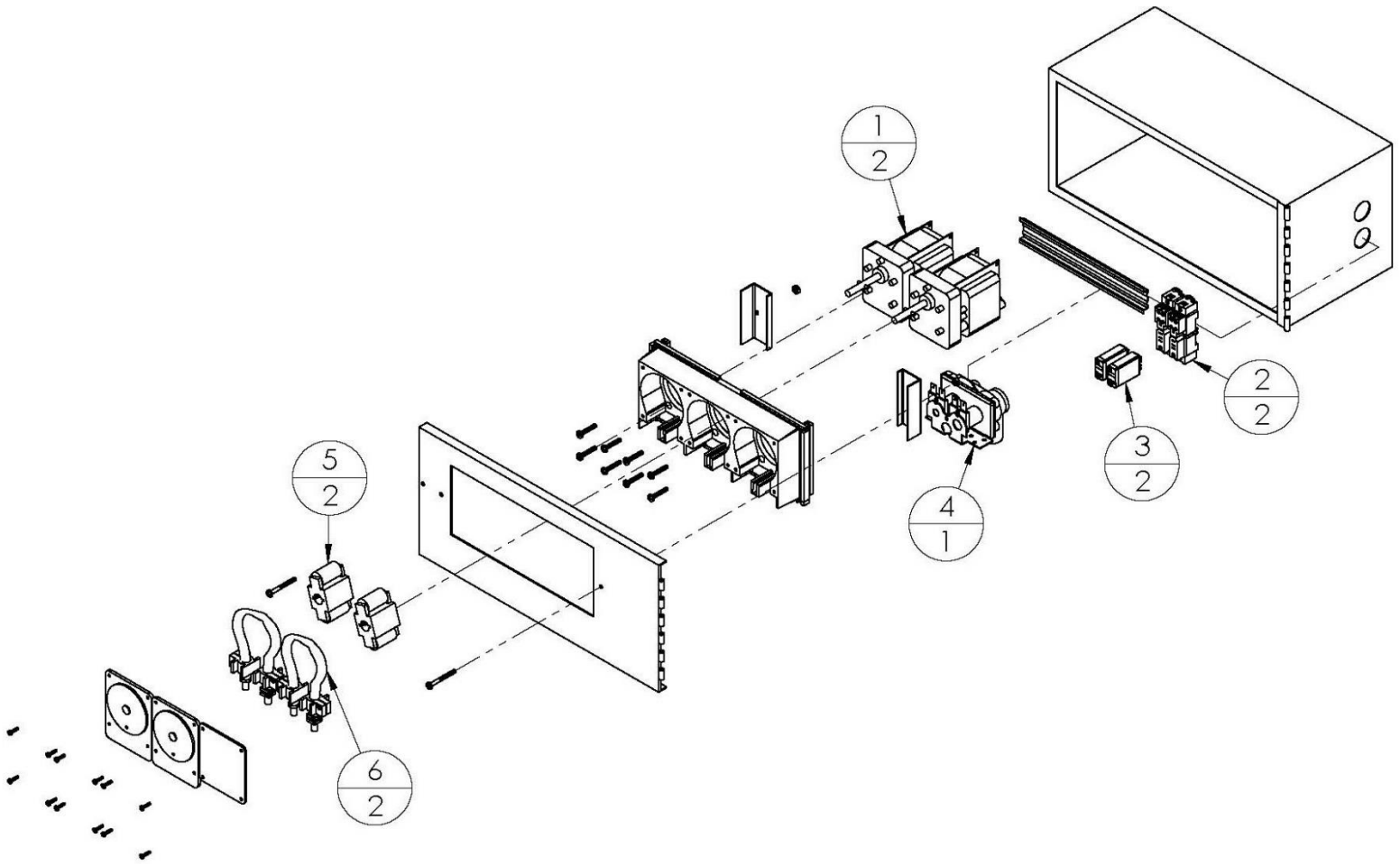
For Technical Support, to order Replacement Parts, or for questions about other products, please
contact your local dealer.

WNW- Components



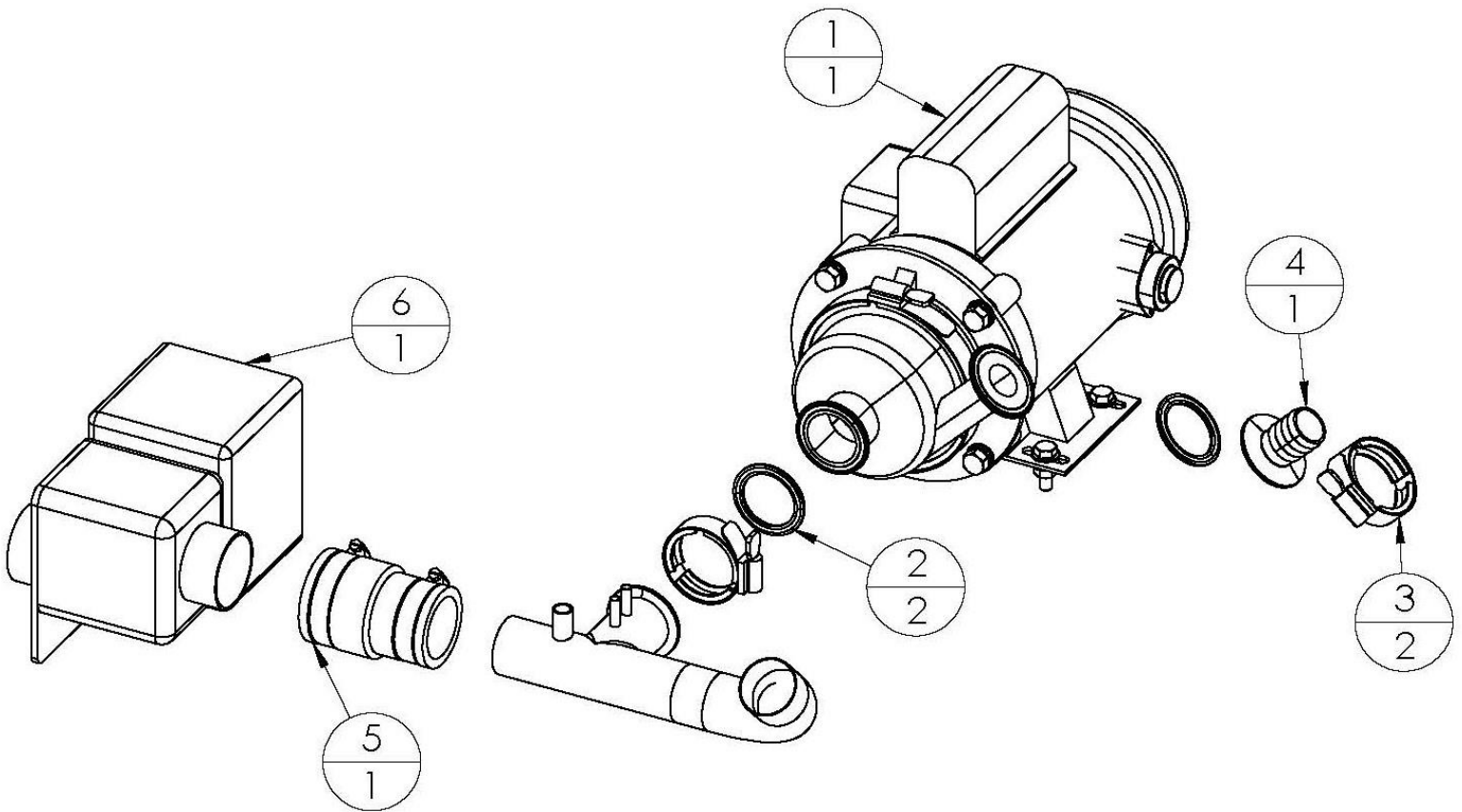
Item #	Part #	Description
1	R319	1/4" Poly Braided Hose
2	O726	1/2" Poly Braided Hose
3	D171	Bottle Washer Grommet
4	F880	1" PVC Clear Suction Hose
5	M273	1-1/4" PVC Clear Suction Hose
6	G282	5/8" Clear Milk Hose

WNW – CIP (Chemical) Box



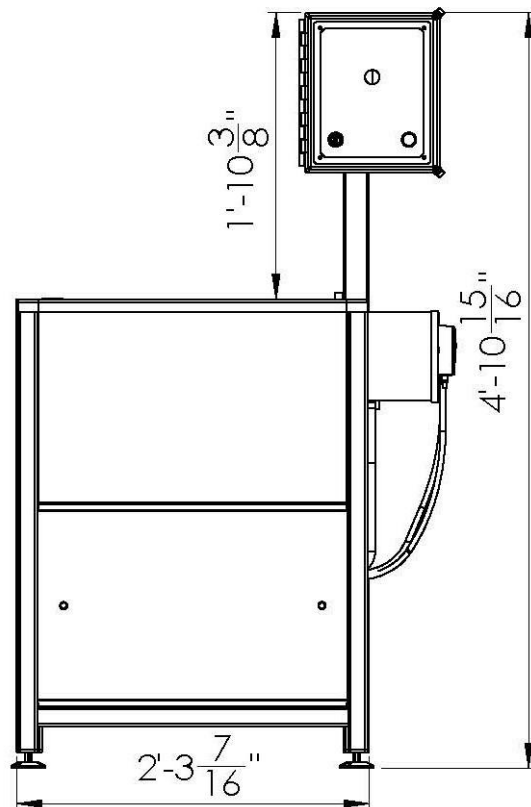
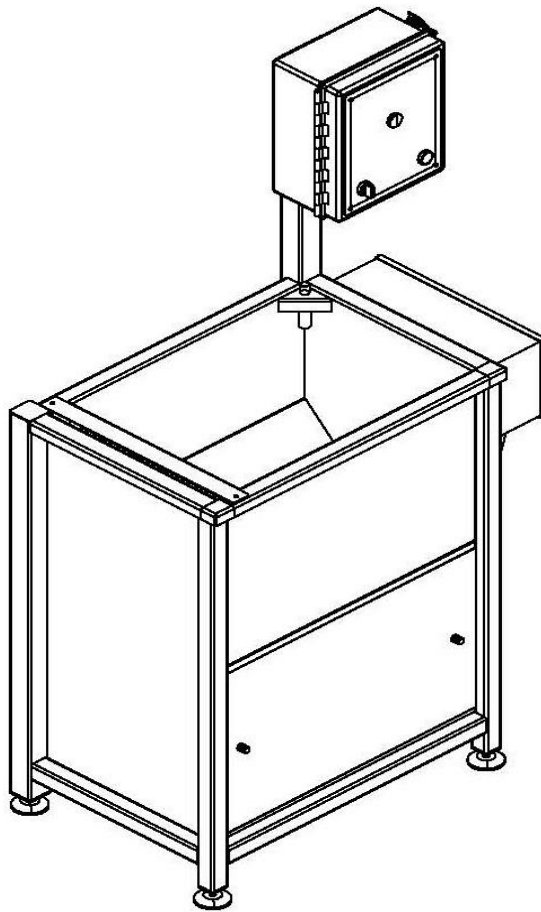
Item #	Part #	Description
1	J652	HI Speed Motor 120V
2	F602	Schneider 5 pin relay base
3	J556	Schneider 120 VAC 5 pin relay
4	G873	120 VAC dual Water Sol Valve
5	P366	Roller Assembly
6	M263	Bender Squeeze Tube Assy

WNW – Motor Assembly with Dependo Drain

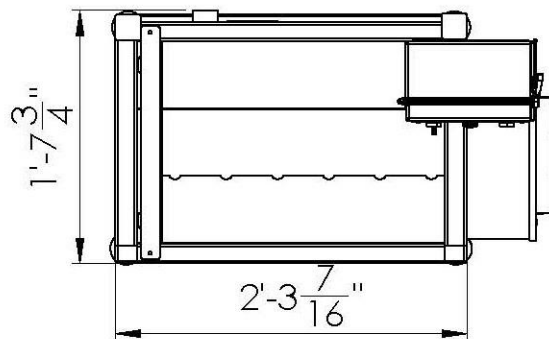
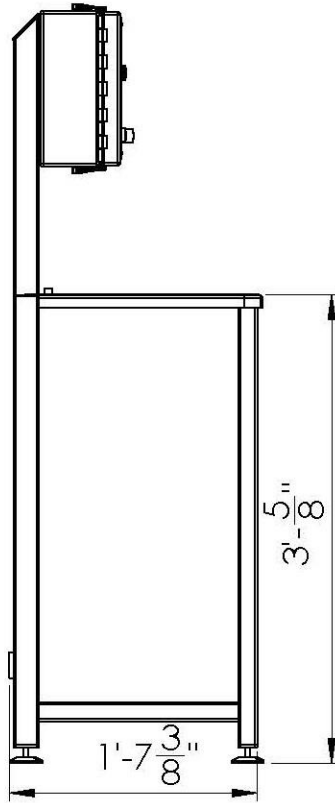


Item #	Part #	Description
1	C748	1HP 3450 RPM (WNW150, WNW300)
	D805	1.5HP 3450 RPM (WNW600)
2	D294	1 1/2" Triclamp Rubber Gasket
3	A802	1 1/2" SS V Insert Clamp
4	O793	1" Tri- Clamp X Hose Barb Fitting
5	B150	Ferenco 1 1/2" X 1 1/4" Reducer Coupler
6	P582	Dependo Electric Drain Valve

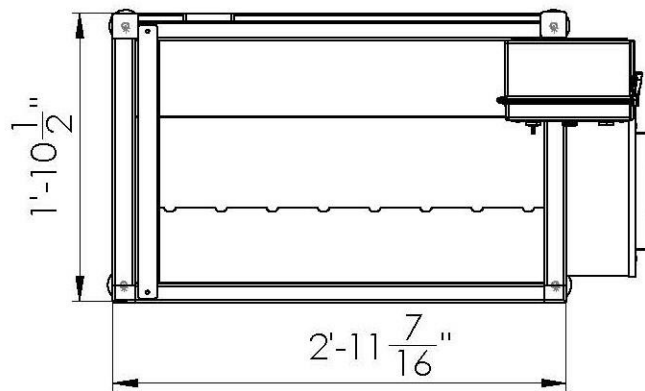
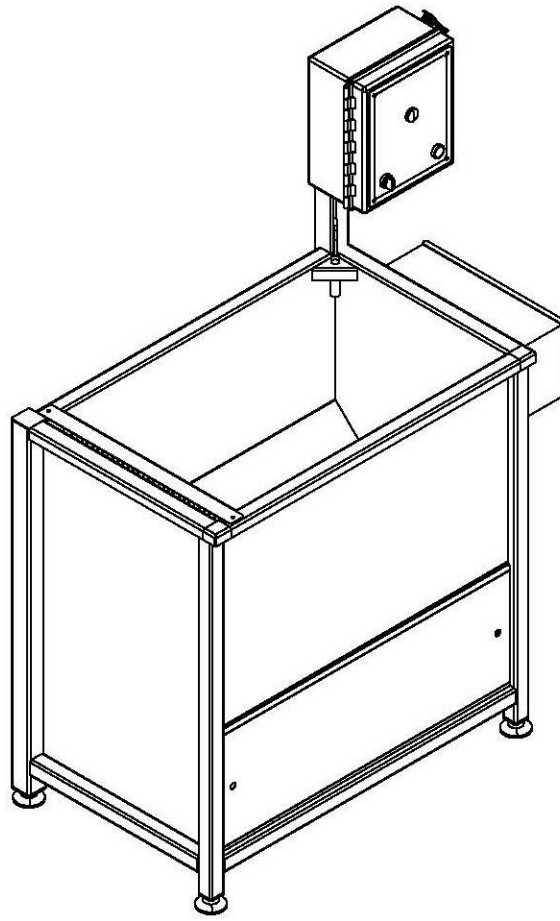
WNW-150- Overall Dimensions



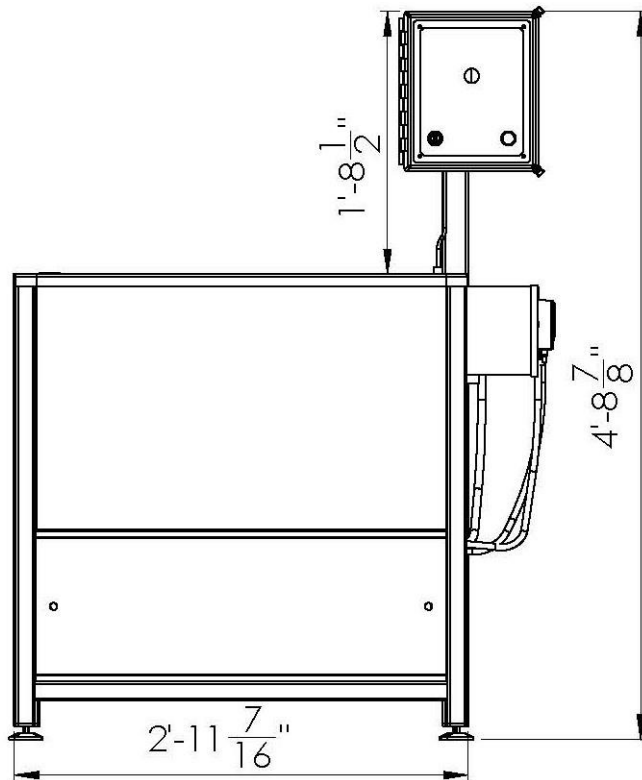
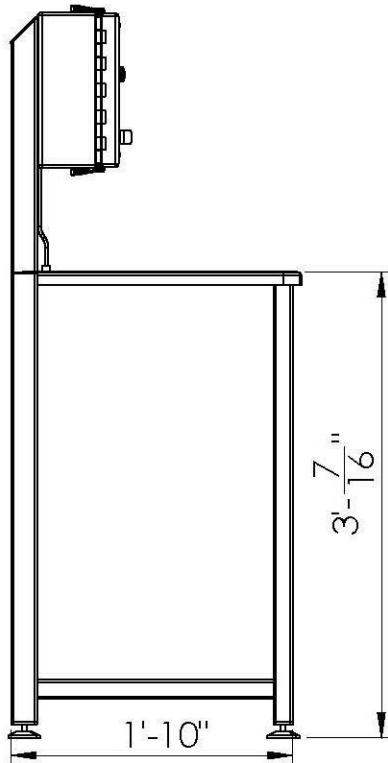
WNW-150- Overall Dimensions



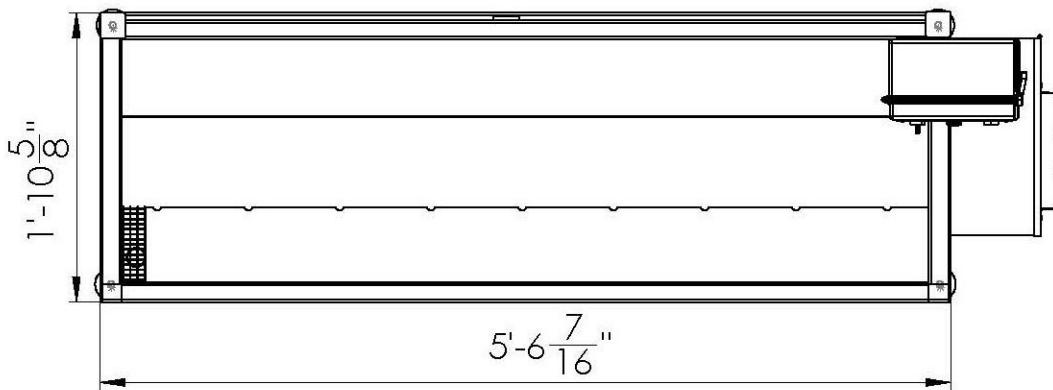
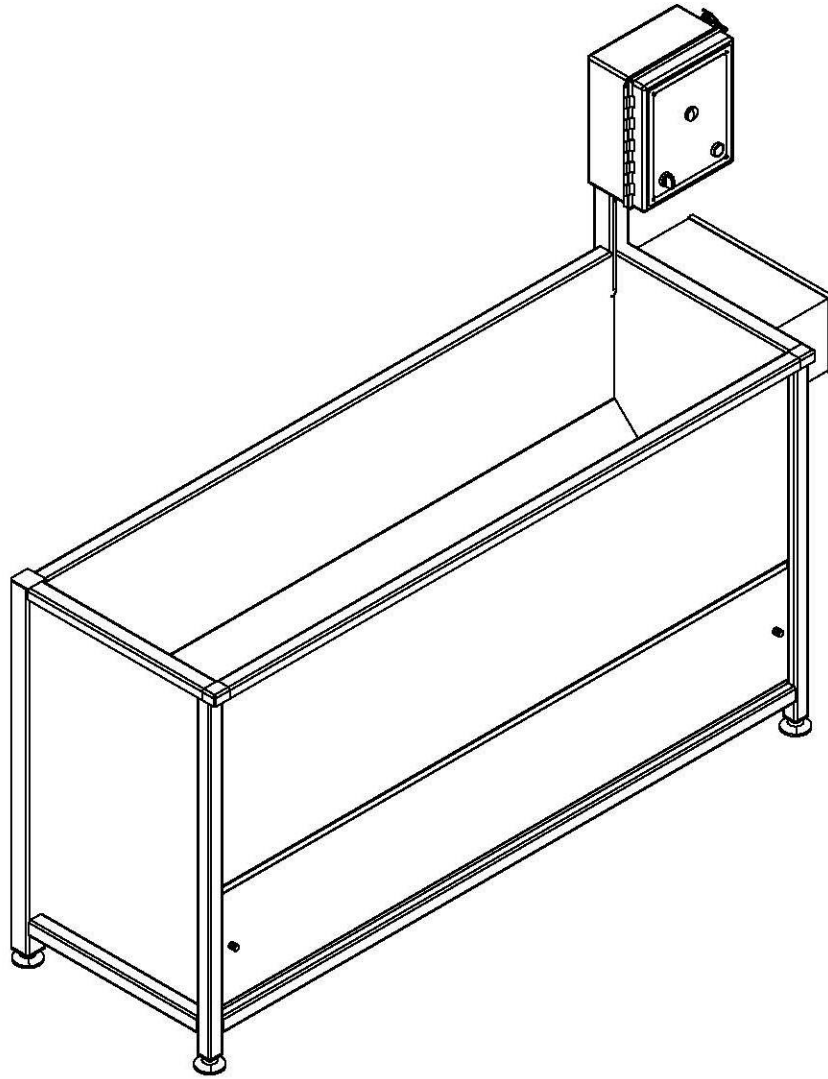
WNW-300- Overall Dimensions



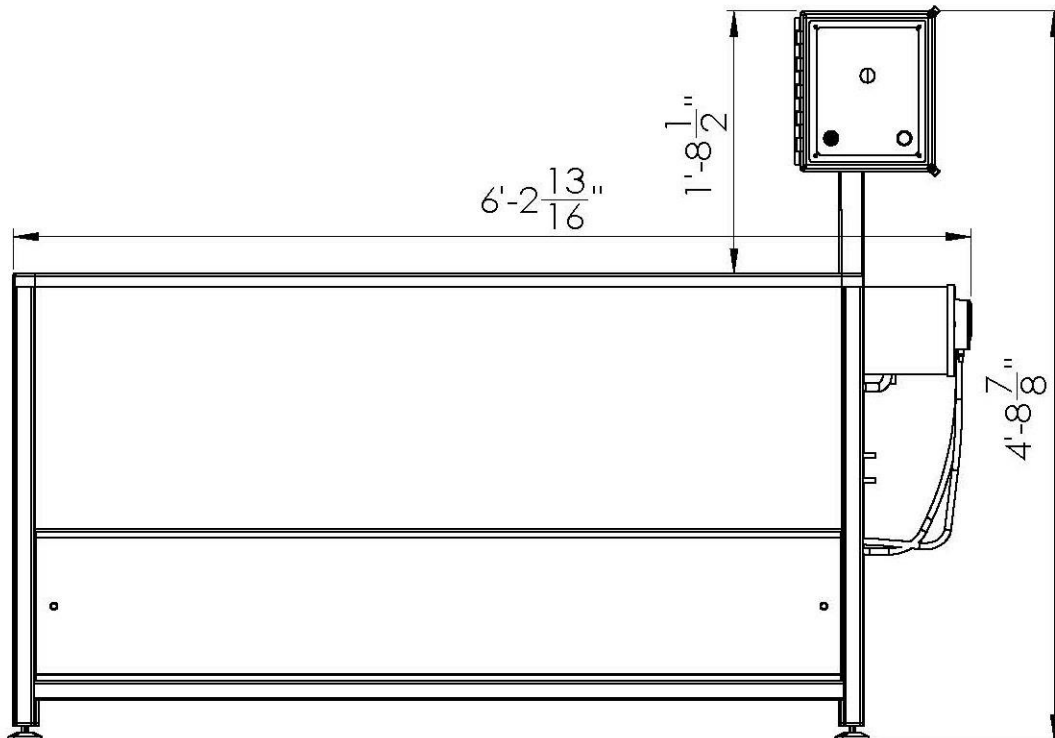
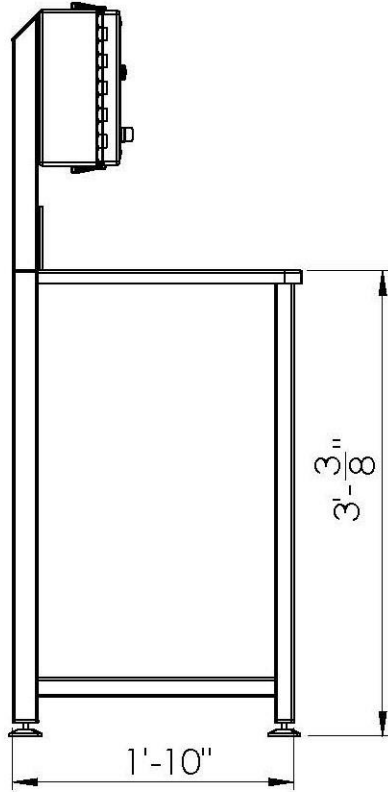
WNW-300- Overall Dimensions



WNW-600- Overall Dimensions



WNW-600- Overall Dimensions





WESTWAARD

FABRICATORS for DARITECH